



US00D682747S

(12) **United States Design Patent**
McAlister et al.

(10) **Patent No.:** **US D682,747 S**

(45) **Date of Patent:** **** May 21, 2013**

(54) **MOTORCYCLE SHADE COVER**

(76) Inventors: **David C. McAlister**, Goodyear, AZ
(US); **Maria G. McAlister**, Goodyear,
AZ (US)

(**) Term: **14 Years**

(21) Appl. No.: **29/425,631**

(22) Filed: **Jun. 25, 2012**

(51) **LOC (9) Cl.** **12-11**

(52) **U.S. Cl.**
USPC **D12/114; D12/402**

(58) **Field of Classification Search** D12/114,
D12/401-403, 110, 107; 135/88.03; 180/219;
280/491.1, 763.1, 727, 288.4; 150/167; 296/78.1
See application file for complete search history.

(56) **References Cited**

U.S. PATENT DOCUMENTS

3,284,130	A	11/1966	Michael	
4,440,436	A	4/1984	Giddens	
4,560,196	A	12/1985	Carter, Sr.	
D284,844	S *	7/1986	Russell D12/402
5,072,987	A	12/1991	Allen	
5,791,718	A	8/1998	Boutin	
5,904,392	A *	5/1999	Mainwal 296/78.1
5,975,614	A	11/1999	Mc Grue	
6,325,441	B1	12/2001	Ugolini	

6,402,220	B2	6/2002	Allen	
D492,622	S *	7/2004	Lee D12/107
D579,851	S	11/2008	Fermil	
7,690,390	B2 *	4/2010	Hopkins et al. 135/88.03
D670,617	S *	11/2012	Tako et al. D12/110

* cited by examiner

Primary Examiner — Susan M Lee

Assistant Examiner — Linda G Brooks

(74) *Attorney, Agent, or Firm* — QuickPatents; Kevin Prince

(57) **CLAIM**

We claim the ornamental design for a motorcycle shade cover,
as shown and described.

DESCRIPTION

FIG. 1 is a perspective view of a motorcycle shade cover,
showing our new design;

FIG. 2 is an exploded perspective view thereof;

FIG. 3 is a front elevational view thereof;

FIG. 4 is a rear elevational view thereof;

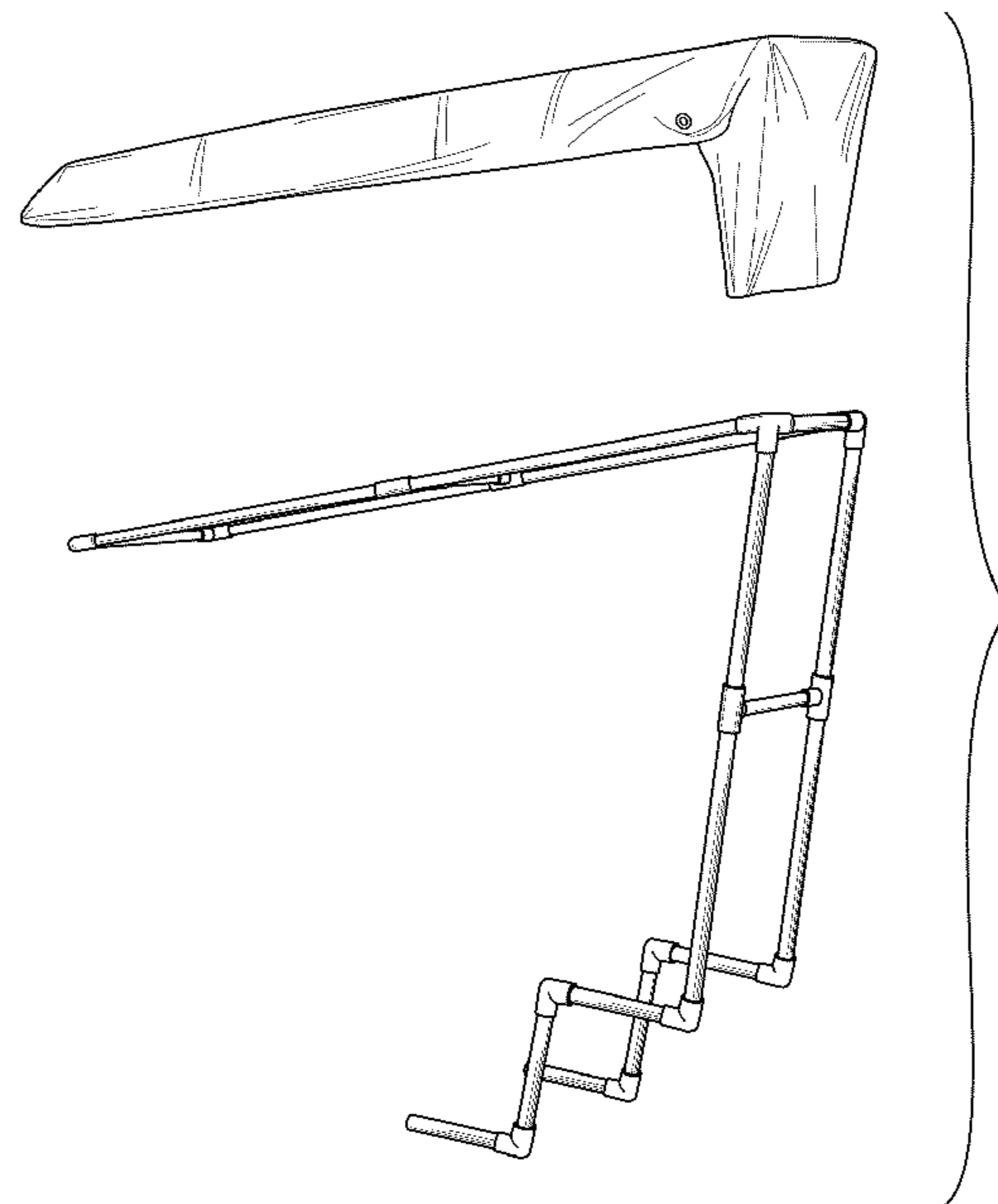
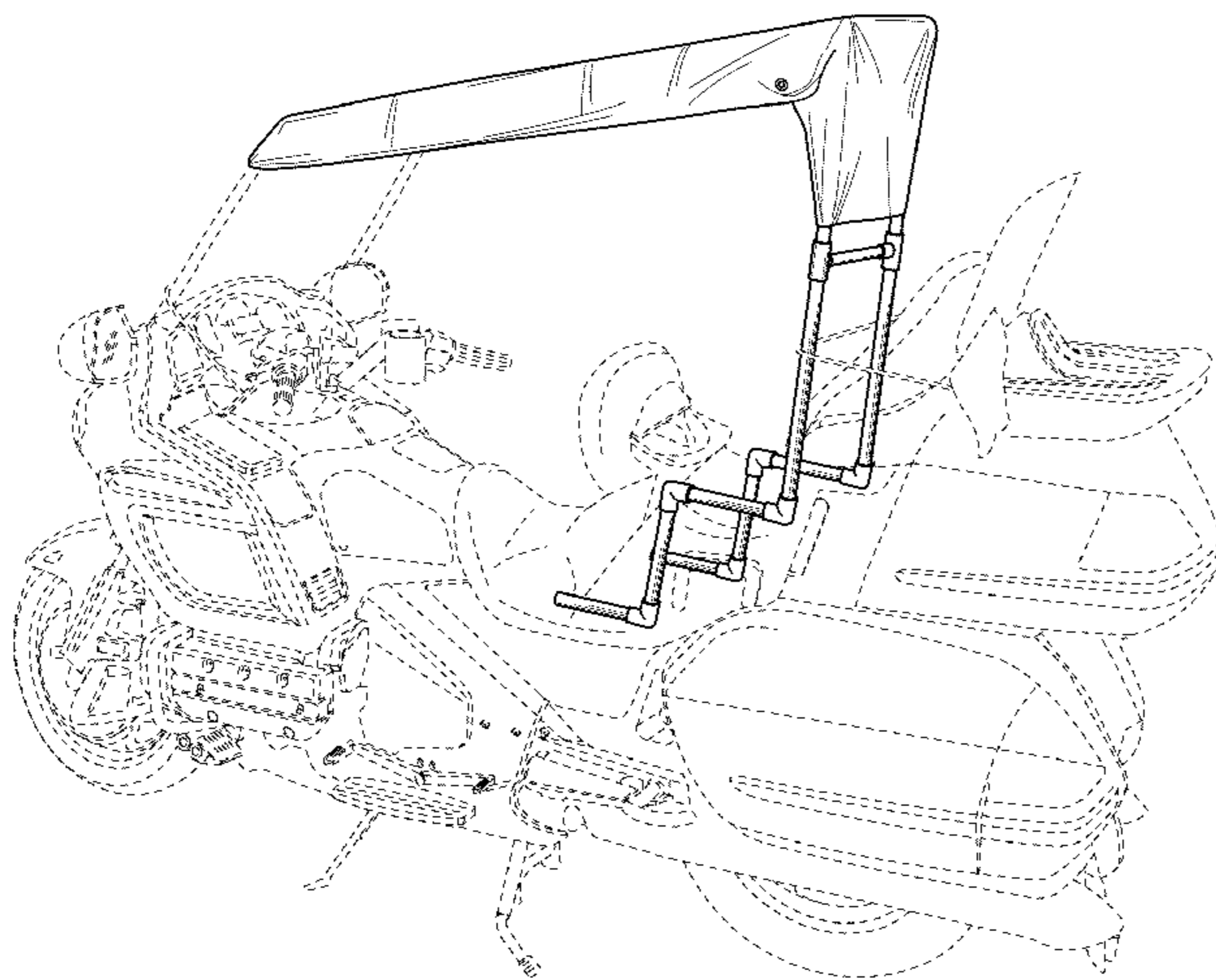
FIG. 5 is a right-side elevational view thereof, the left-side
elevational view being a mirror image thereof;

FIG. 6 is a top plan view thereof; and,

FIG. 7 is a bottom plan view thereof.

The broken lines showing a motorcycle in FIG. 1 depict
environmental matter and form no part of the claimed design.

1 Claim, 5 Drawing Sheets



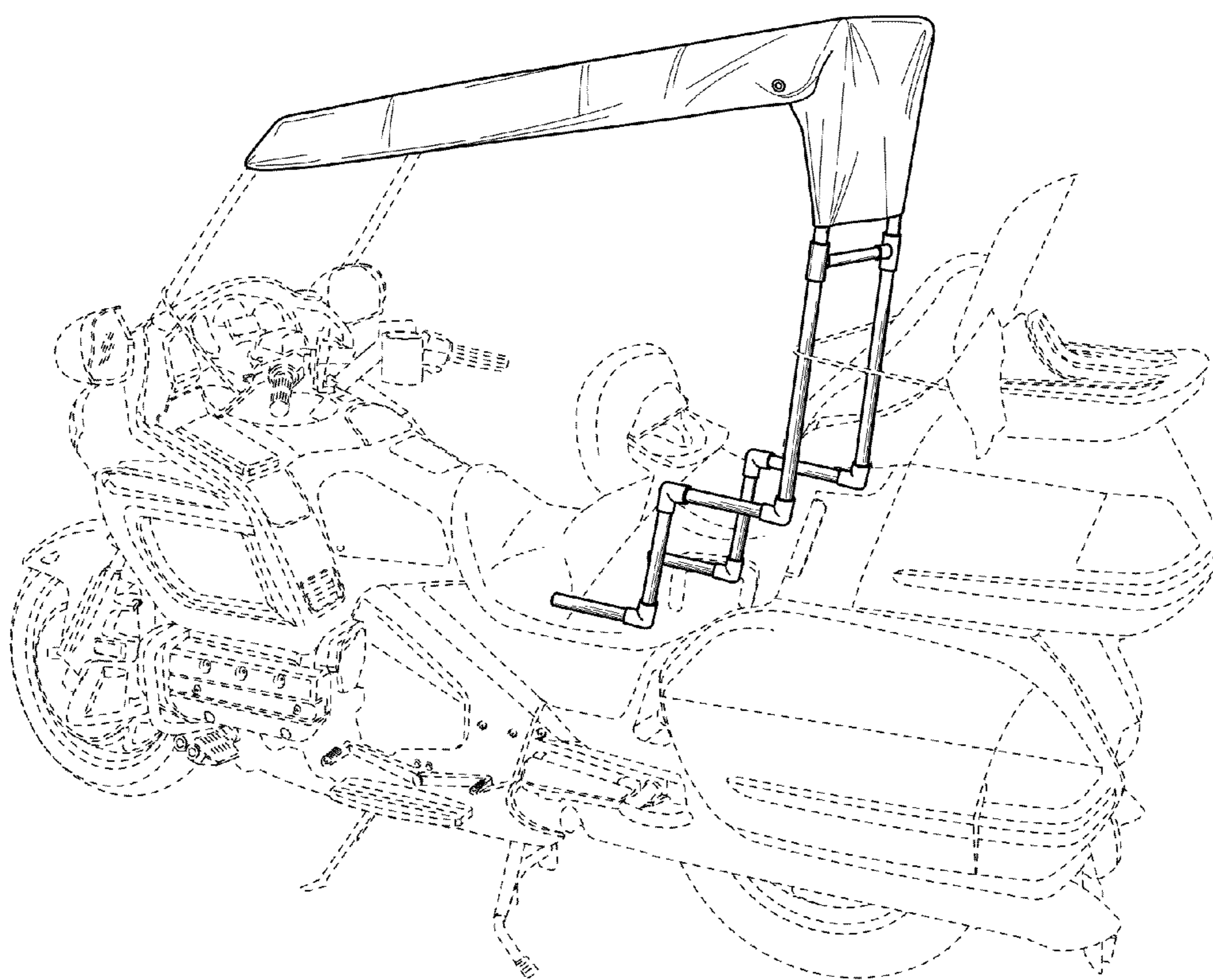


FIG. 1

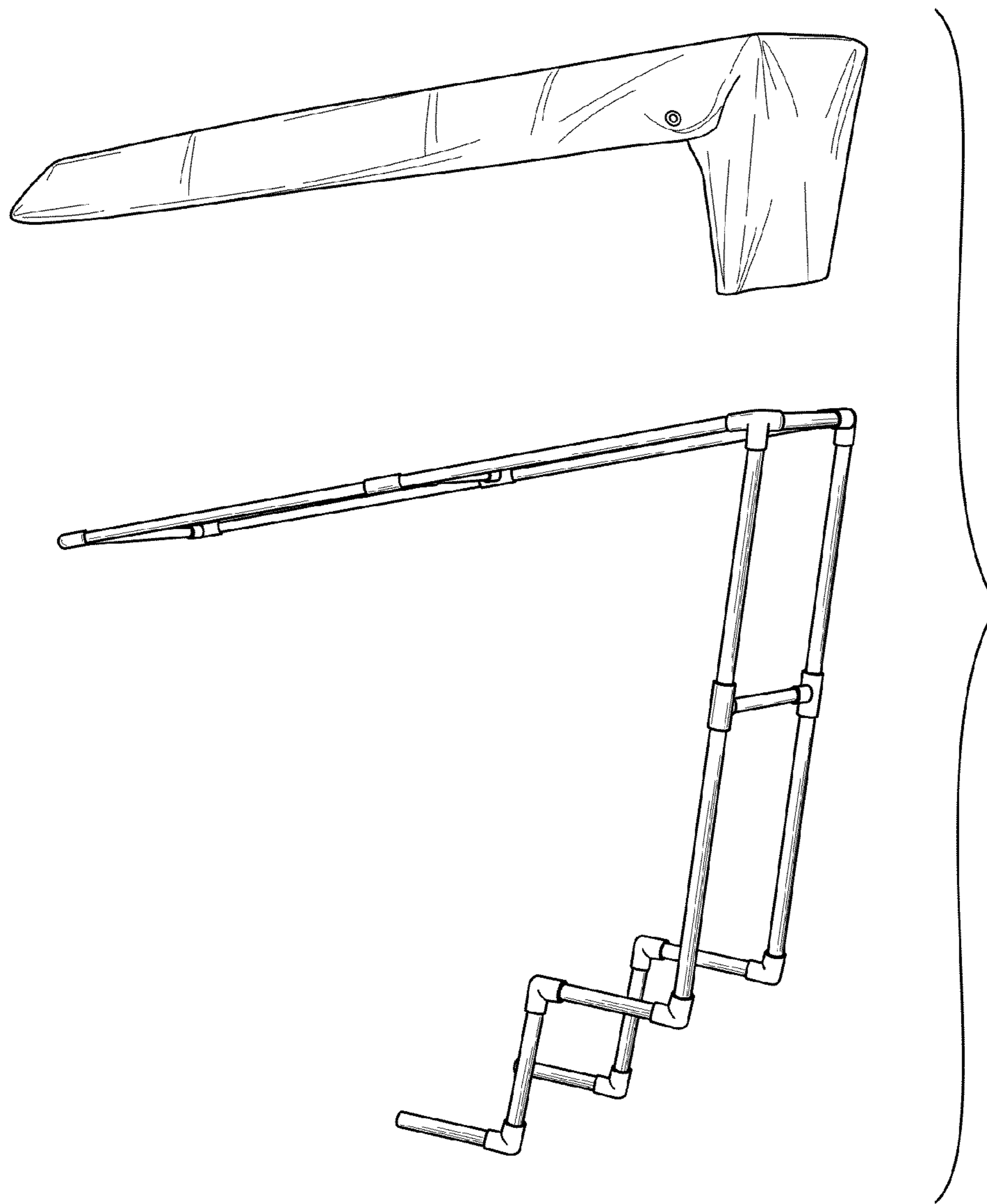


FIG. 2

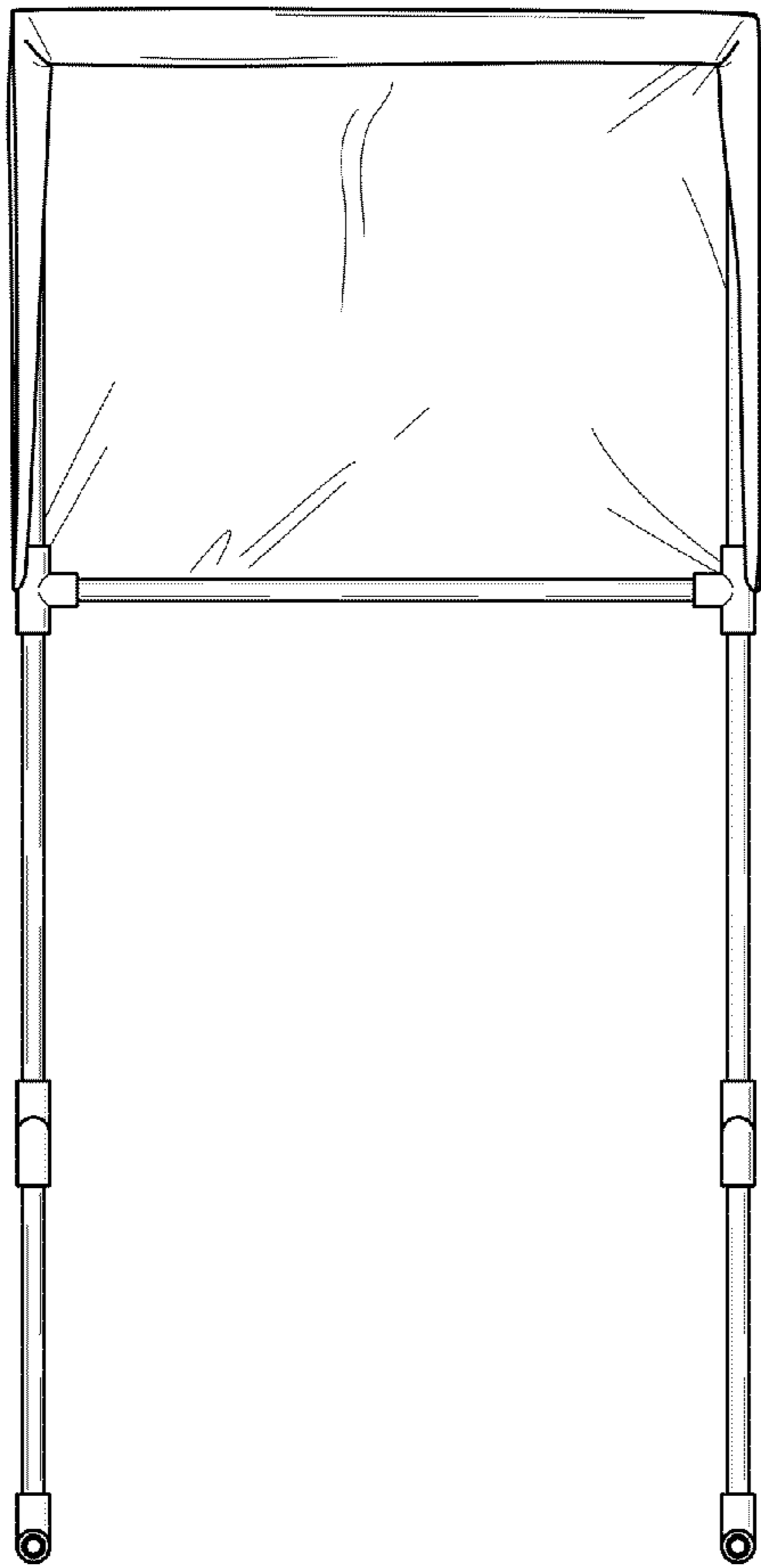


FIG. 3

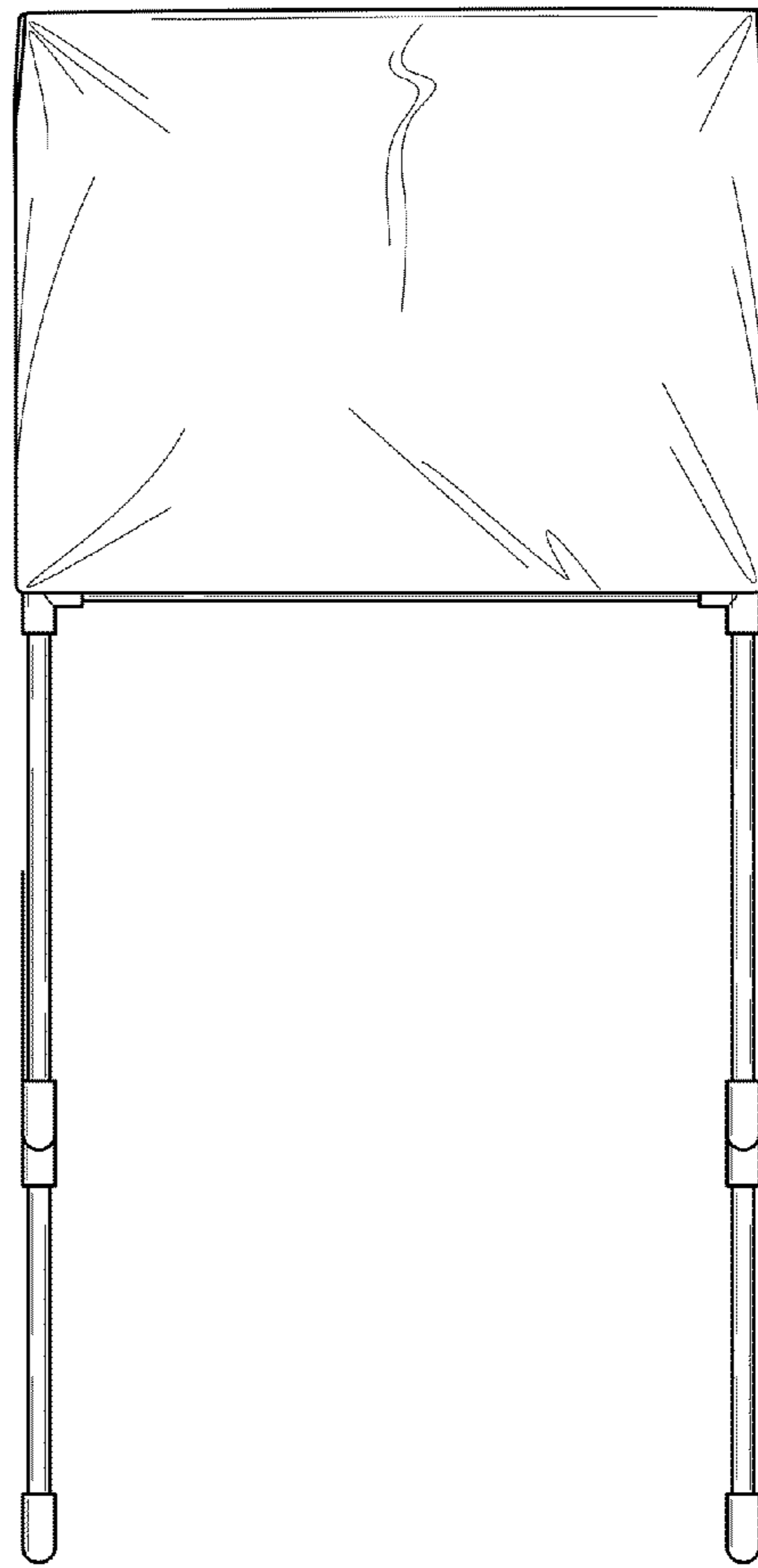


FIG. 4

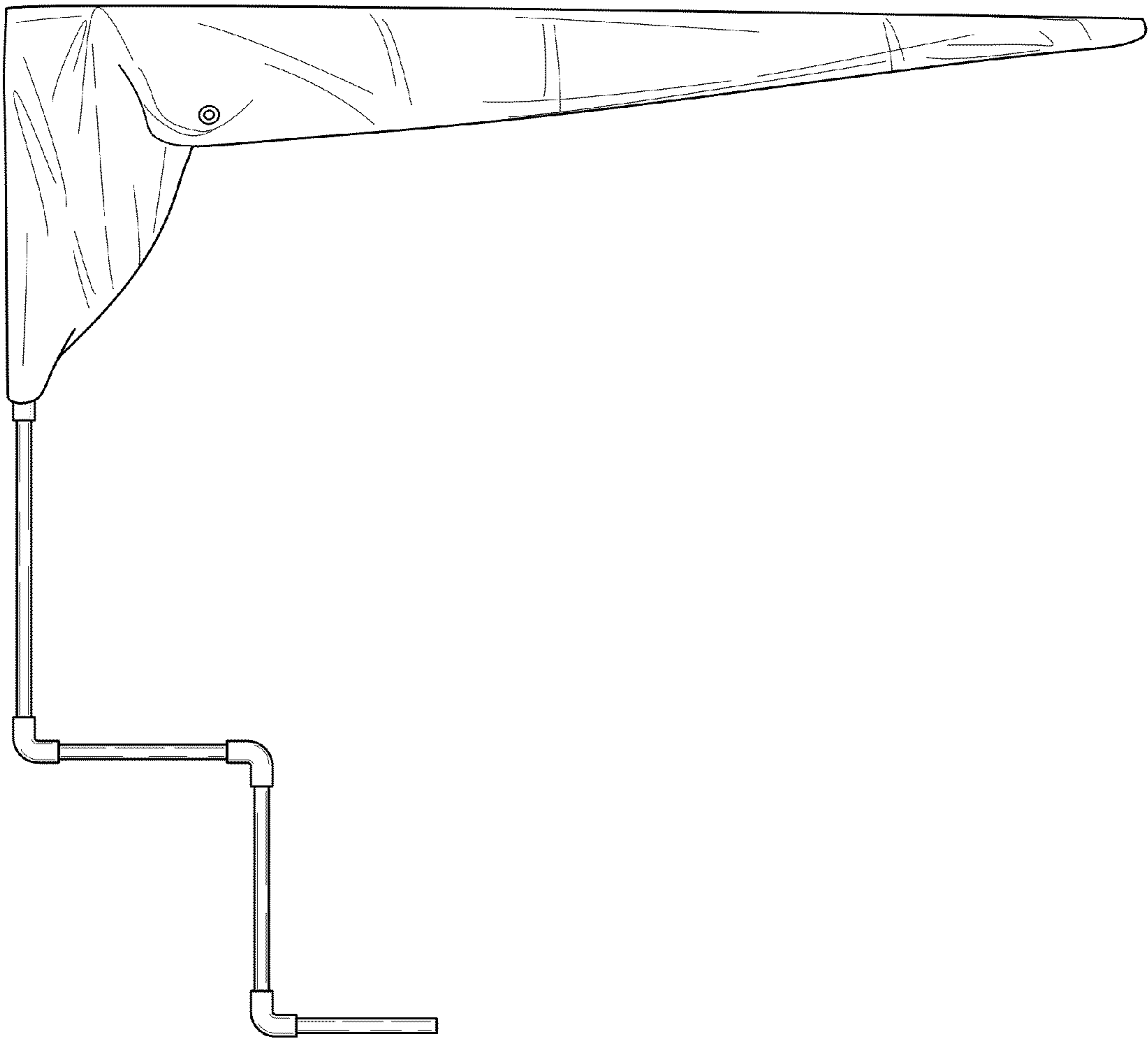


FIG. 5

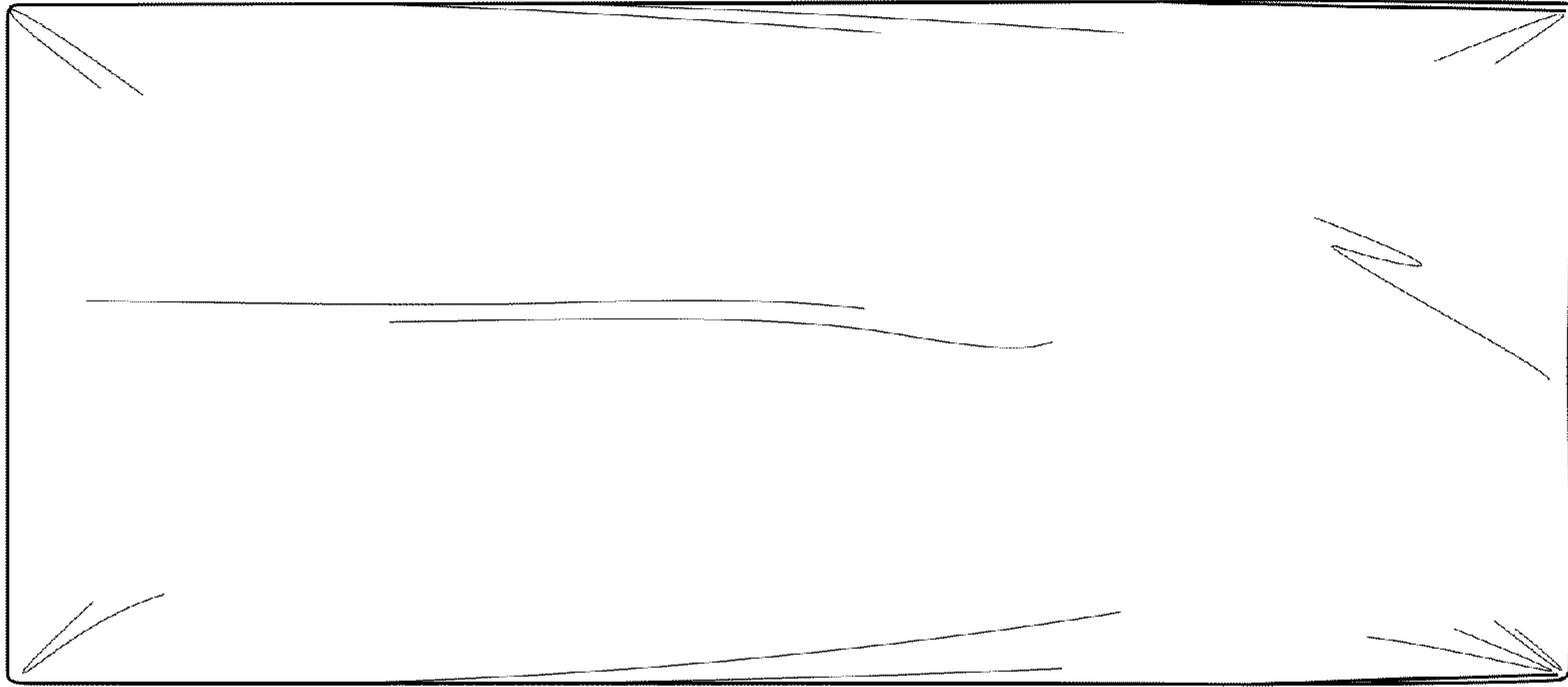


FIG. 6

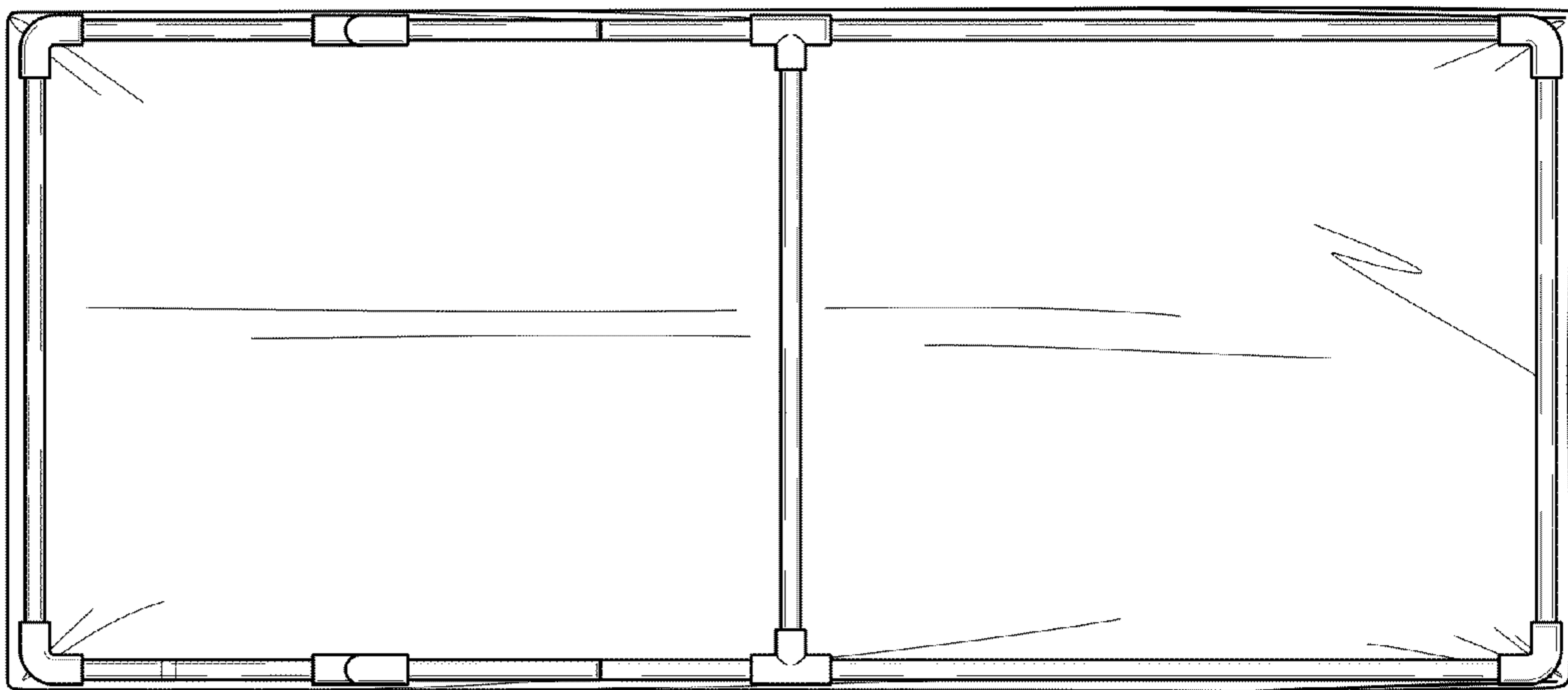


FIG. 7