



US00D682746S

(12) **United States Design Patent**  
**Doherty et al.**

(10) **Patent No.:** **US D682,746 S**

(45) **Date of Patent:** **\*\* May 21, 2013**

(54) **THREE WHEELED VEHICLE**

(75) Inventors: **Gregory Jerome Doherty**, Cincinnati, OH (US); **Andrew Bean**, Cincinnati, OH (US)

(73) Assignee: **Huffy Corporation**, Centerville, OH (US)

(\*\*) Term: **14 Years**

(21) Appl. No.: **29/404,915**

(22) Filed: **Oct. 26, 2011**

(51) **LOC (9) Cl.** ..... **12-11**

(52) **U.S. Cl.**  
USPC ..... **D12/112**

(58) **Field of Classification Search** ..... D12/112,  
D12/113; D21/432, 435; 446/440; 280/242.1,  
280/259, 263, 265-267, 282, 288.1-288.3  
See application file for complete search history.

(56) **References Cited**

**U.S. PATENT DOCUMENTS**

4,103,921	A *	8/1978	Brooks et al.	.....	280/267
D251,264	S *	3/1979	Cook et al.	.....	D12/112
D460,027	S *	7/2002	Shafer et al.	.....	D12/112
D493,391	S *	7/2004	Gunter	.....	D12/112
D498,709	S *	11/2004	Sramek	.....	D12/112

**FOREIGN PATENT DOCUMENTS**

AU 314839 S 6/2007

**OTHER PUBLICATIONS**

Tony Hoying, Declaration of Tony Hoying including Exhibits A-G, Aug. 29, 2012.  
<http://road.cc/content/news/45128-eurobike-faves-specialized-green-machine>, Product Images, Printed Jul. 13, 2012.  
TARGET.COM, <http://shop.target.com.au/toys/bikes-scooters-ride-on-s?viewType=grid&sortBy=4&maxItemsPerPage=12&pageFrom=4>, Product Image, Printed Aug. 28, 2012.

\* cited by examiner

*Primary Examiner* — Susan M Lee

*Assistant Examiner* — Linda G Brooks

(74) *Attorney, Agent, or Firm* — Wood, Herron & Evans, LLP

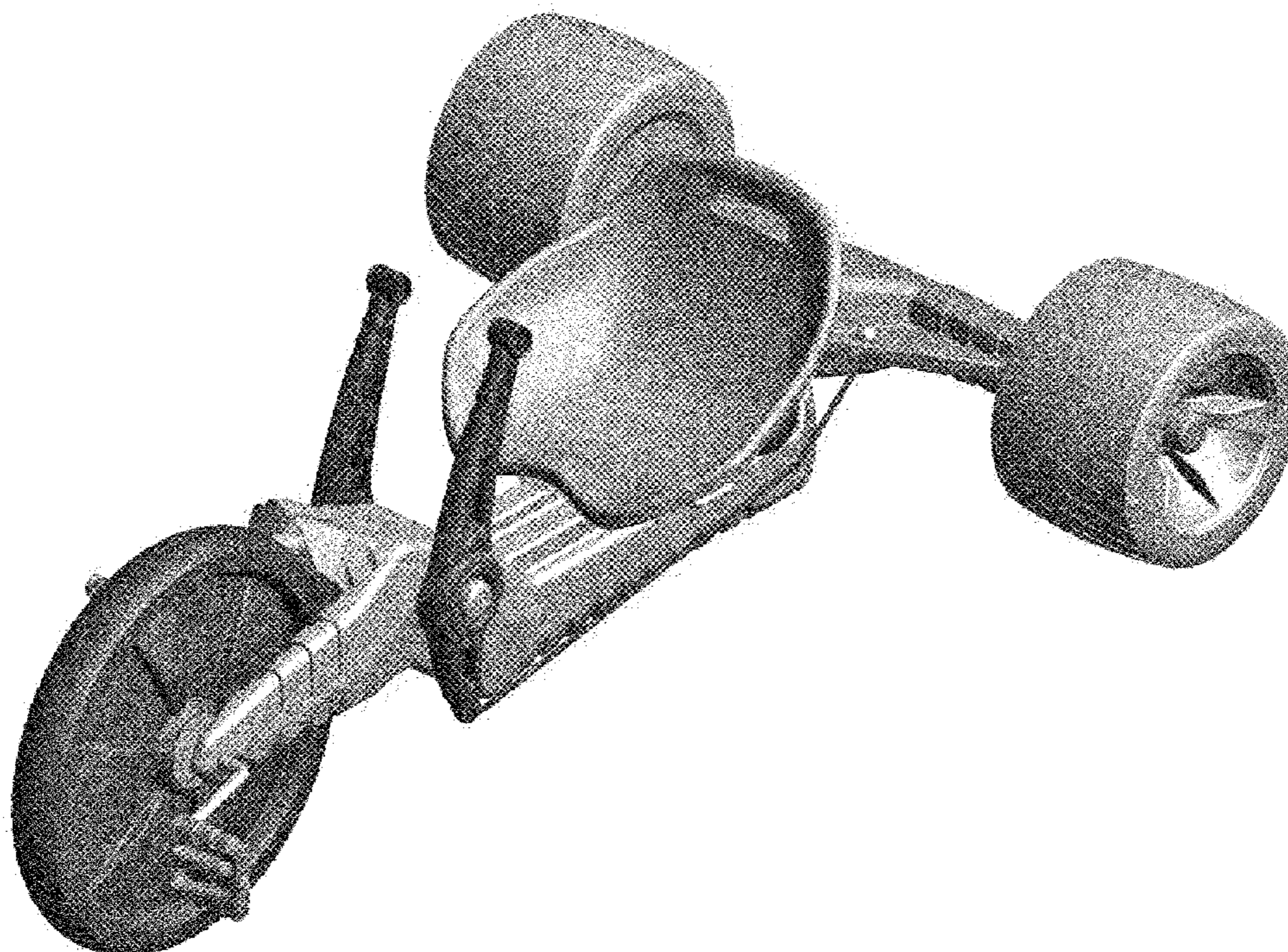
(57) **CLAIM**

The ornamental design for a three wheeled vehicle, as shown and described.

**DESCRIPTION**

FIG. 1 is a perspective view of my new, original and ornamental design;  
FIG. 2 is right side view thereof;  
FIG. 3 is a front view thereof;  
FIG. 4 is a left side view thereof;  
FIG. 5 is a rear view thereof;  
FIG. 6 is a top view thereof; and,  
FIG. 7 is a bottom view thereof.

**1 Claim, 7 Drawing Sheets**



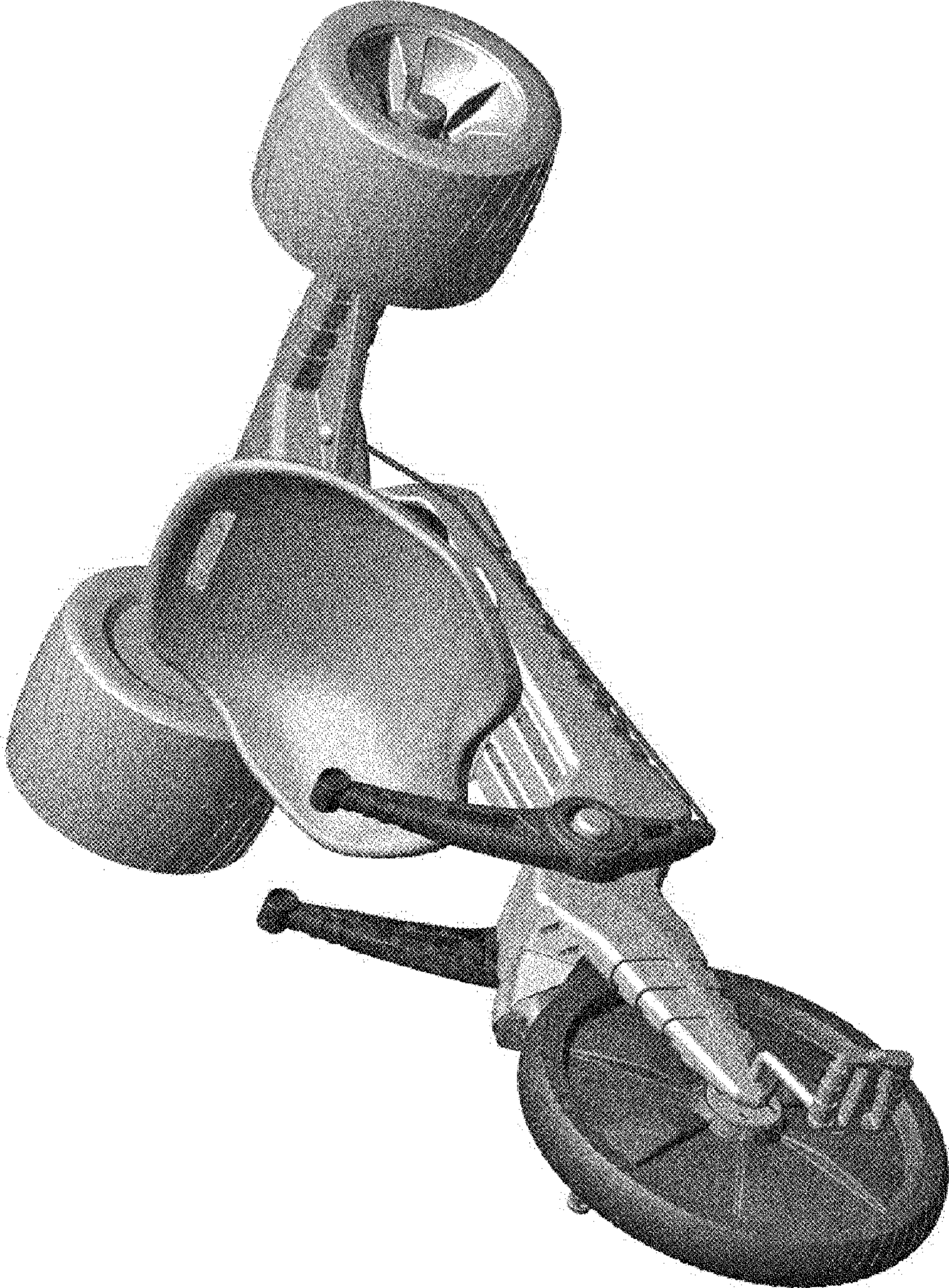


FIG. 1

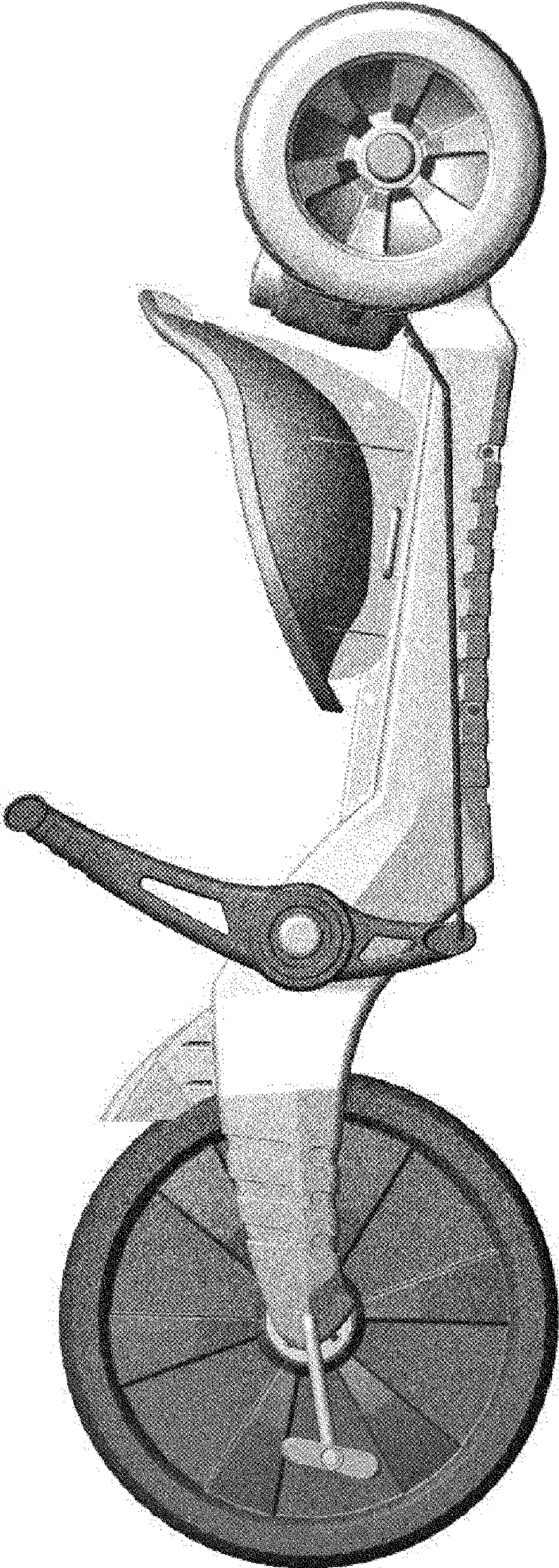


FIG. 2

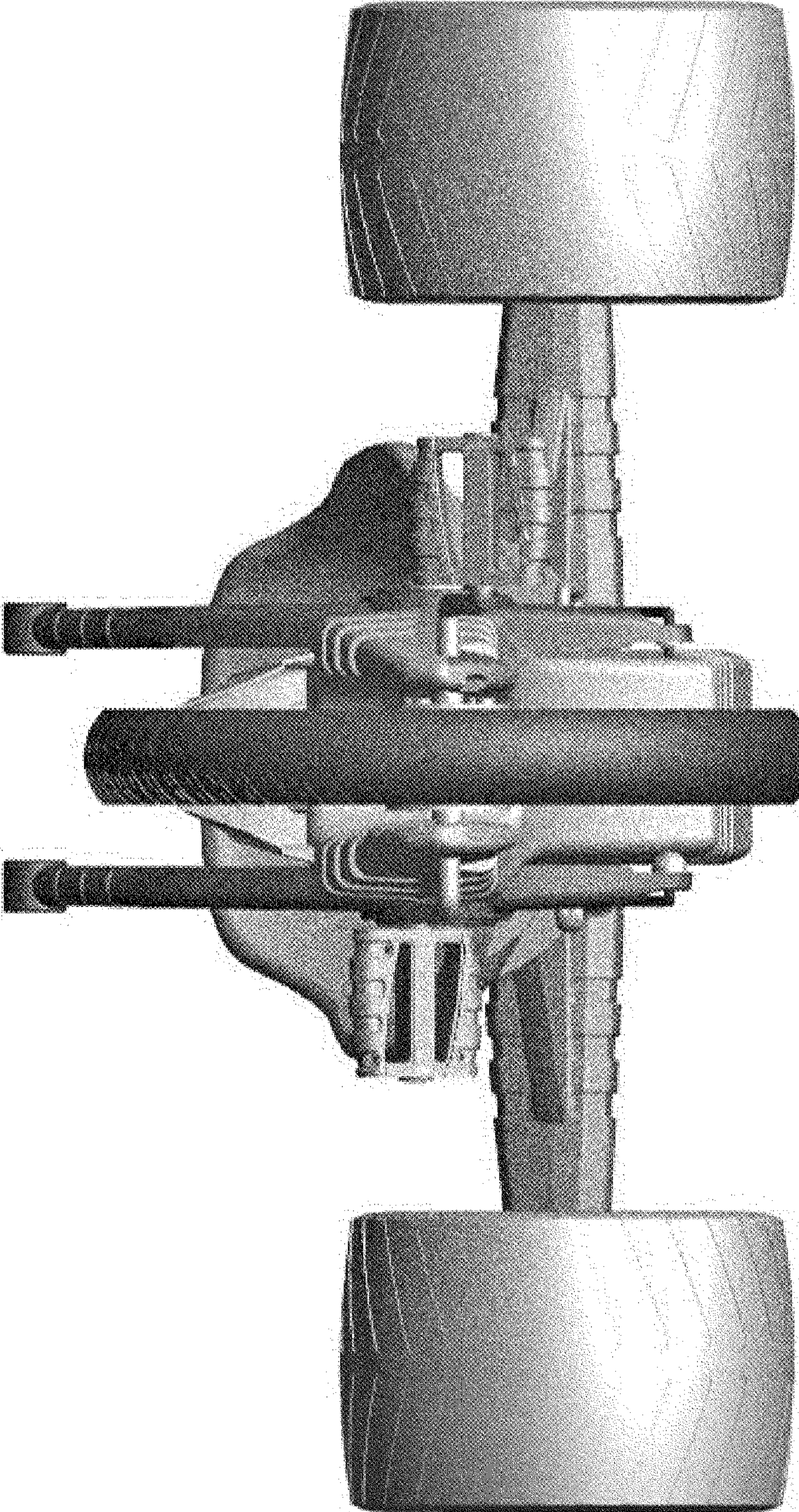


FIG. 3

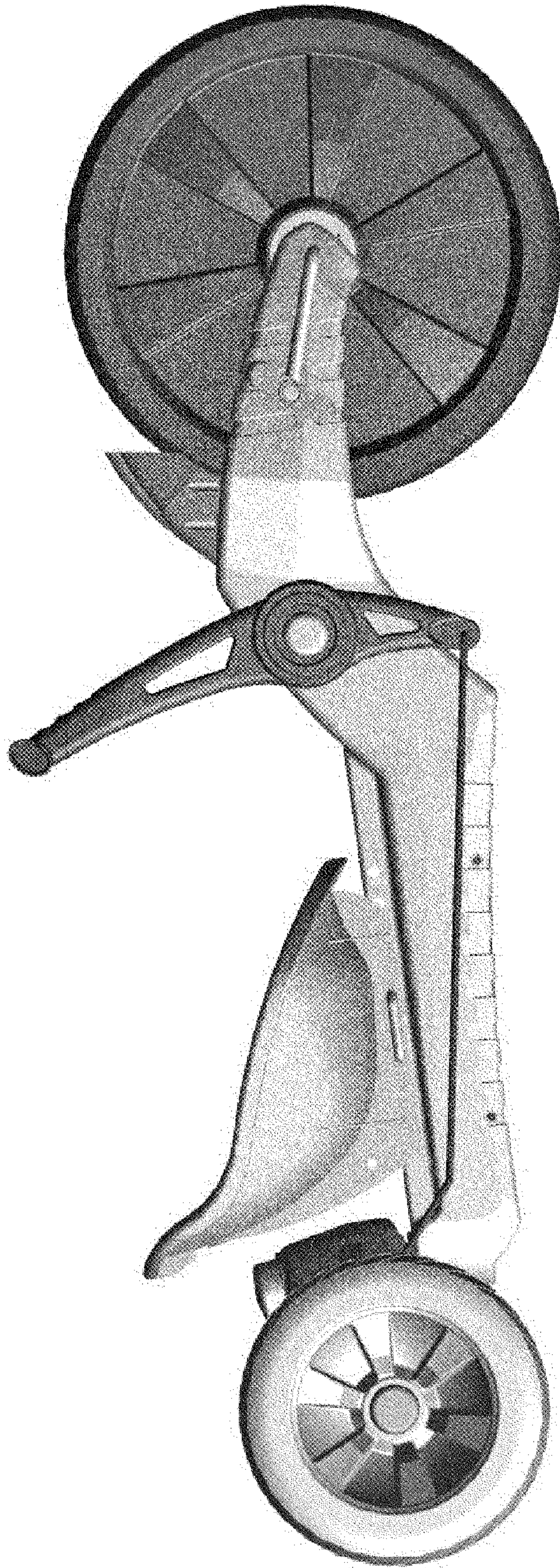


FIG. 4

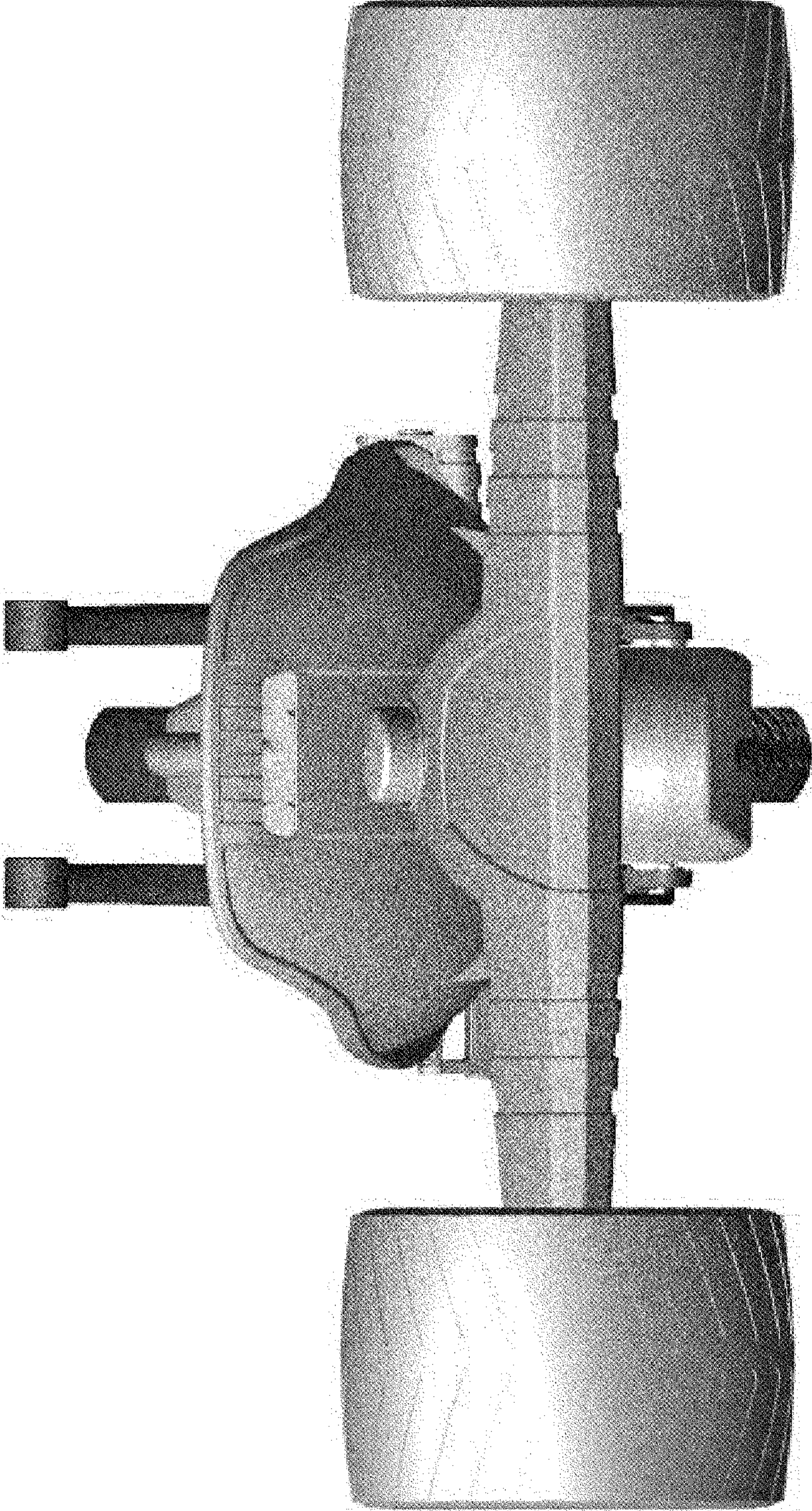


FIG. 5

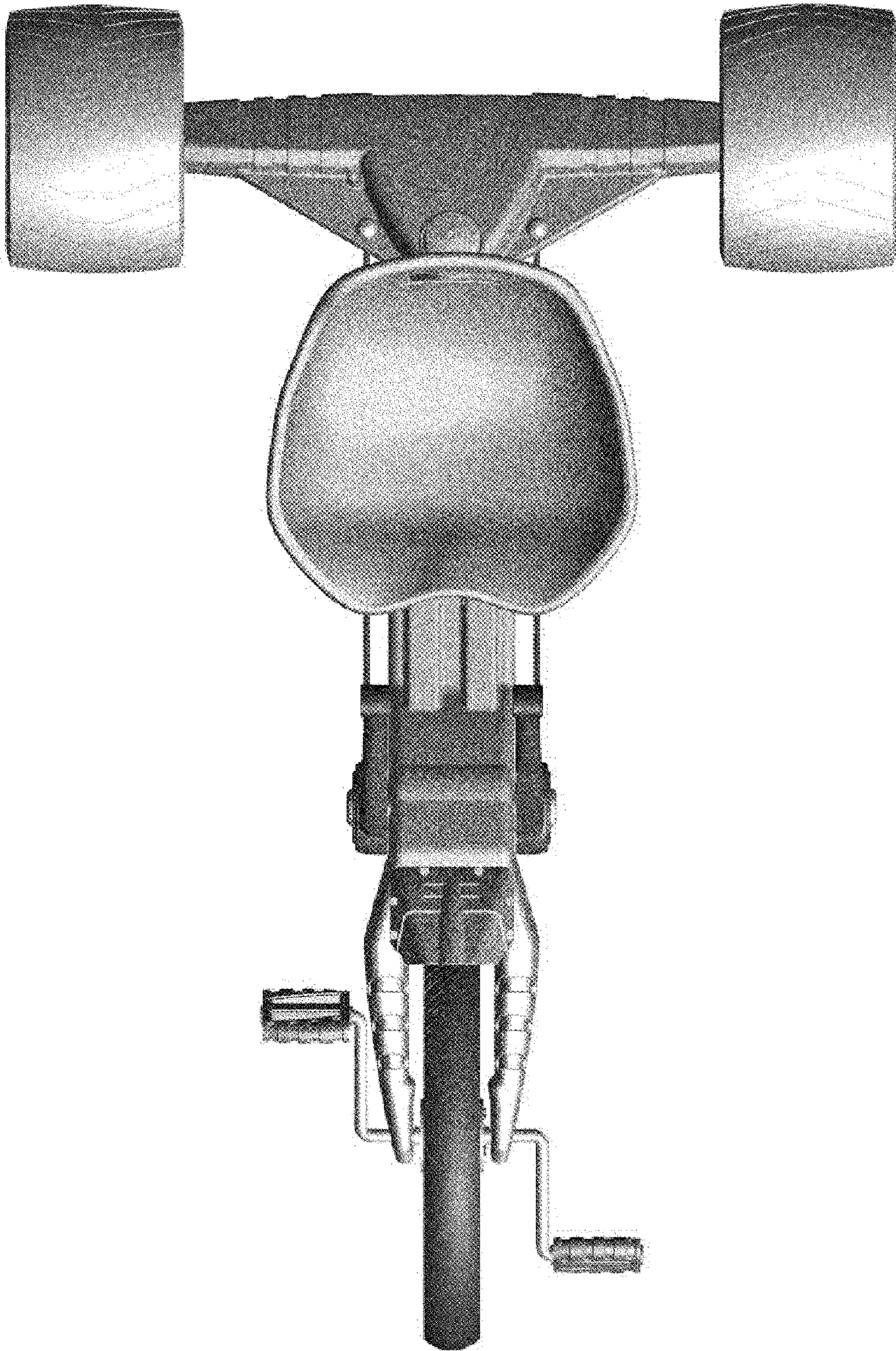


FIG. 6

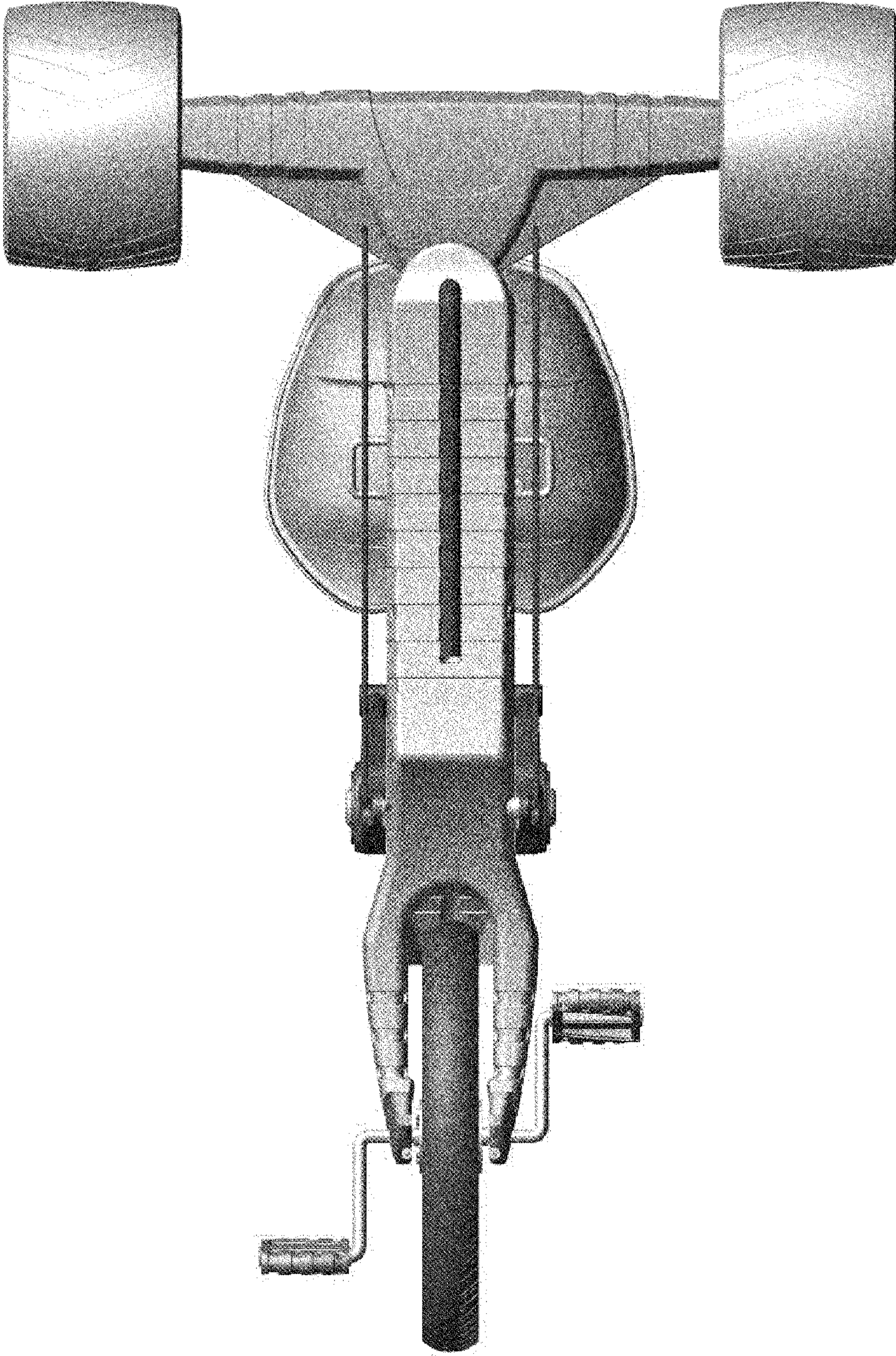


FIG. 7