

US00D682744S

(12) **United States Design Patent**  
**Horne**

(10) **Patent No.:** **US D682,744 S**

(45) **Date of Patent:** **\*\* May 21, 2013**

(54) **BICYCLE FRAME**

(75) Inventor: **Mike Horne**, Clayton (AU)

(73) Assignee: **Madd Gear Pty, Ltd.** (AU)

(\*\*) Term: **14 Years**

(21) Appl. No.: **29/405,852**

(22) Filed: **Nov. 7, 2011**

(30) **Foreign Application Priority Data**

Aug. 24, 2011 (AU) ..... 201113761

(51) **LOC (9) Cl.** ..... **12-11**

(52) **U.S. Cl.**  
USPC ..... **D12/111**

(58) **Field of Classification Search** ..... D12/111,  
D12/117; 280/274-280, 281.1, 283-288,  
280/288.1-288.4

See application file for complete search history.

(56) **References Cited**

U.S. PATENT DOCUMENTS

3,860,265 A \* 1/1975 Weiss ..... 280/281.1  
4,067,589 A \* 1/1978 Hon ..... 280/278  
4,746,136 A \* 5/1988 Kirk ..... 280/281.1  
5,072,961 A \* 12/1991 Huppe ..... 280/278  
D343,147 S \* 1/1994 Cognata et al. .... D12/111

5,478,100 A \* 12/1995 McDermitt et al. .... 280/281.1  
D368,679 S \* 4/1996 Dietz et al. .... D12/111  
D372,212 S \* 7/1996 Dietz et al. .... D12/111  
D510,059 S \* 9/2005 Hickman ..... D12/117  
D517,452 S \* 3/2006 Hickman ..... D12/111  
7,562,890 B2 \* 7/2009 Yu ..... 280/288.3  
7,651,110 B2 \* 1/2010 Davis et al. .... 280/281.1  
7,793,959 B2 \* 9/2010 Vandermark ..... 280/281.1  
8,042,822 B2 \* 10/2011 D'Aluisio ..... 280/274  
8,167,327 B2 \* 5/2012 Chamberlain ..... 280/279

\* cited by examiner

*Primary Examiner* — Susan M Lee

*Assistant Examiner* — Linda G Brooks

(74) *Attorney, Agent, or Firm* — Troutman Sanders LLP;  
Robert R. Elliott, Jr.

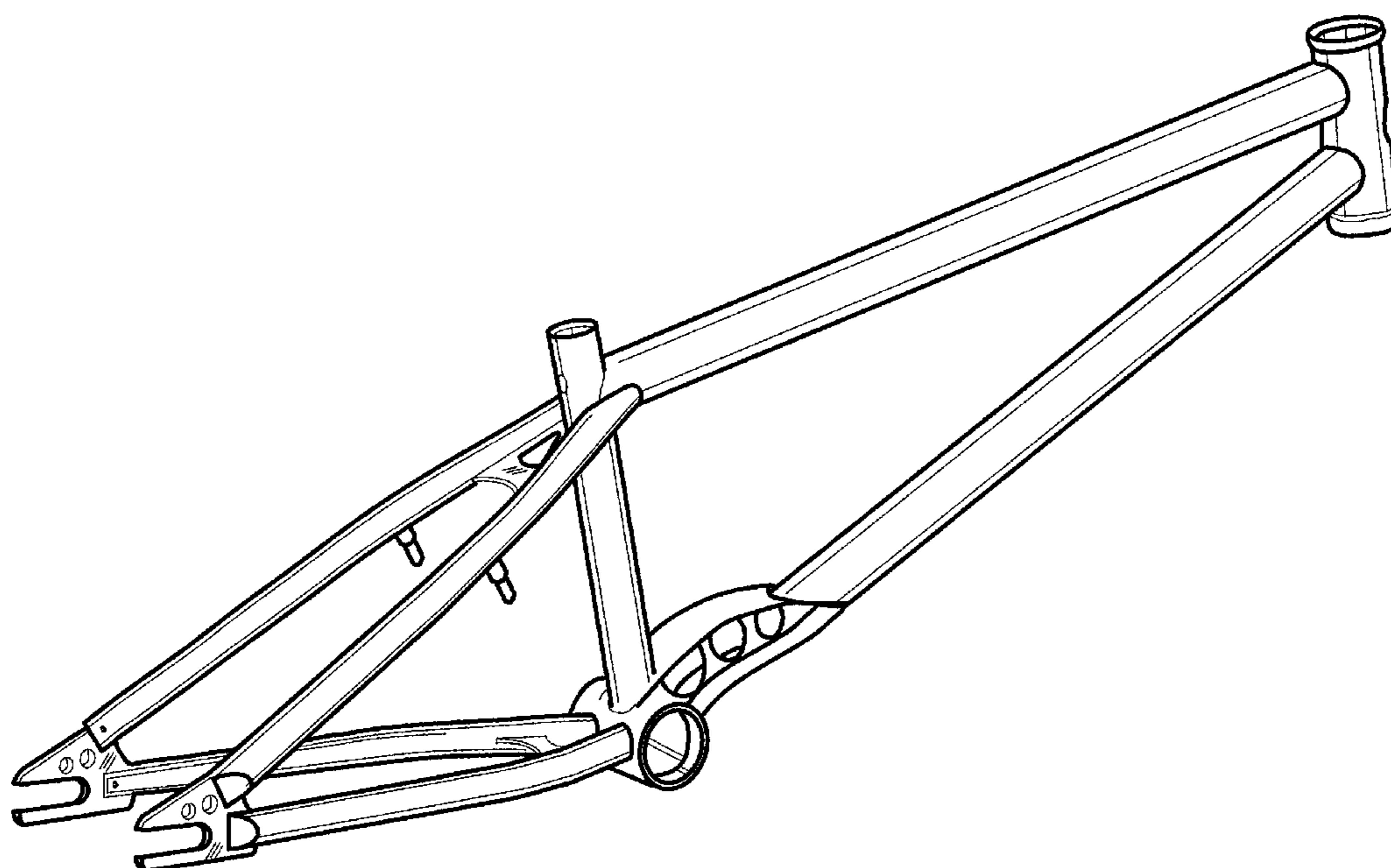
(57) **CLAIM**

The ornamental design for a bicycle frame, as shown and described.

**DESCRIPTION**

FIG. 1 is a bottom view of a bicycle frame;  
FIG. 2 is a top view of a bicycle frame;  
FIG. 3 is a left side view of a bicycle frame;  
FIG. 4 is a right side view of a bicycle frame; and,  
FIG. 5 is a top, right side perspective view of a bicycle frame.

**1 Claim, 5 Drawing Sheets**



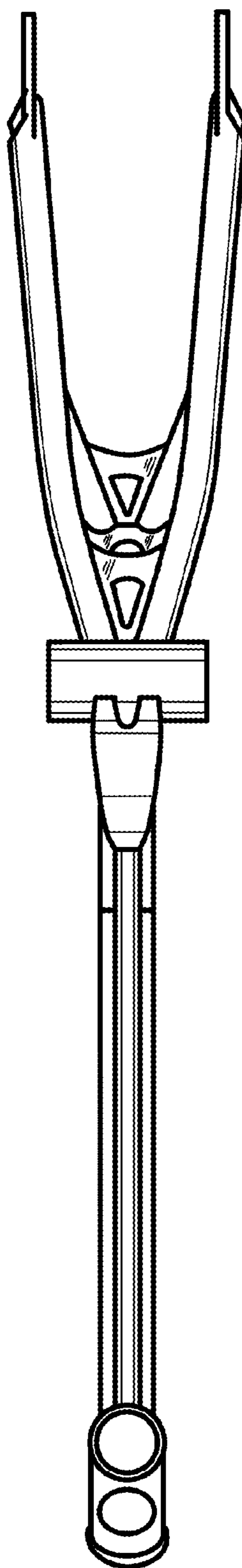
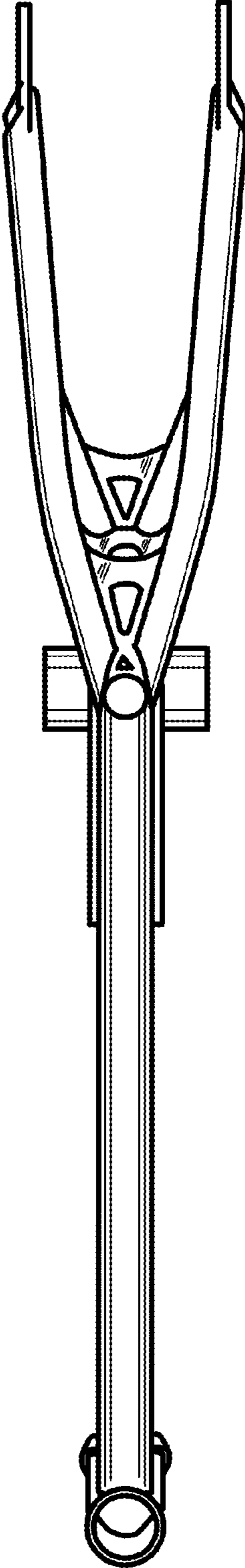


Fig. 1

*Fig. 2*



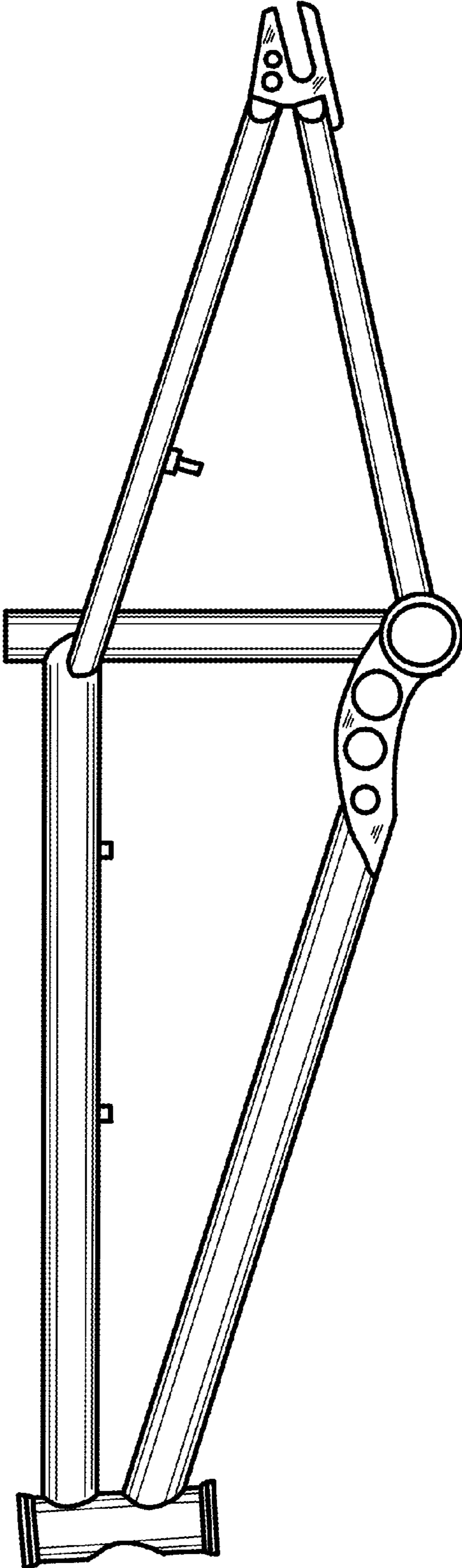


Fig. 3

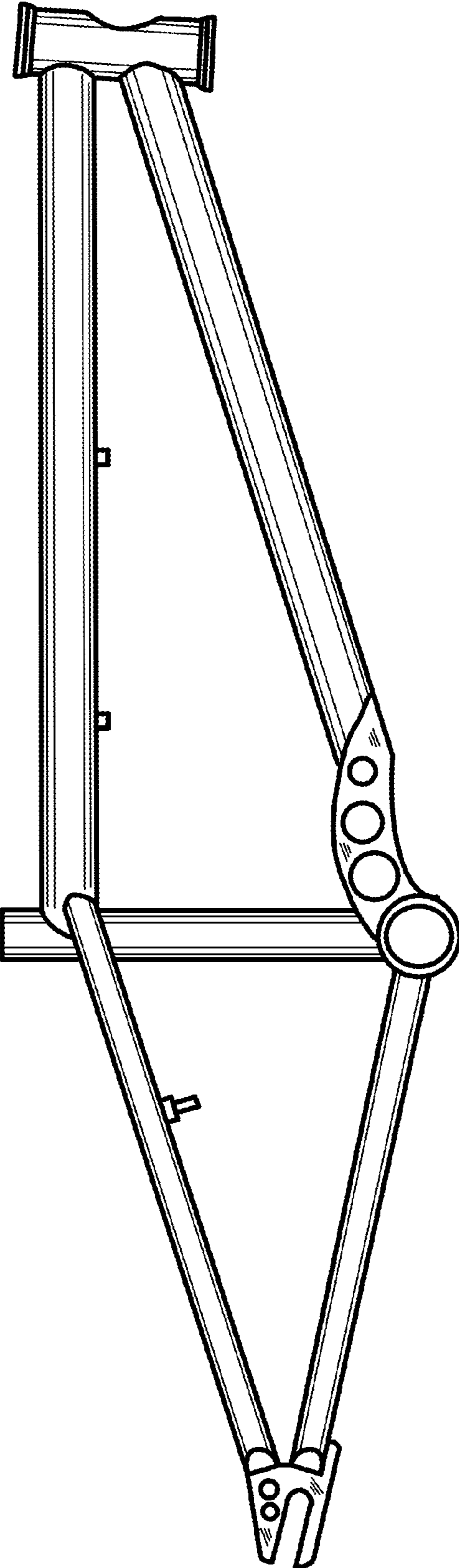


Fig. 4

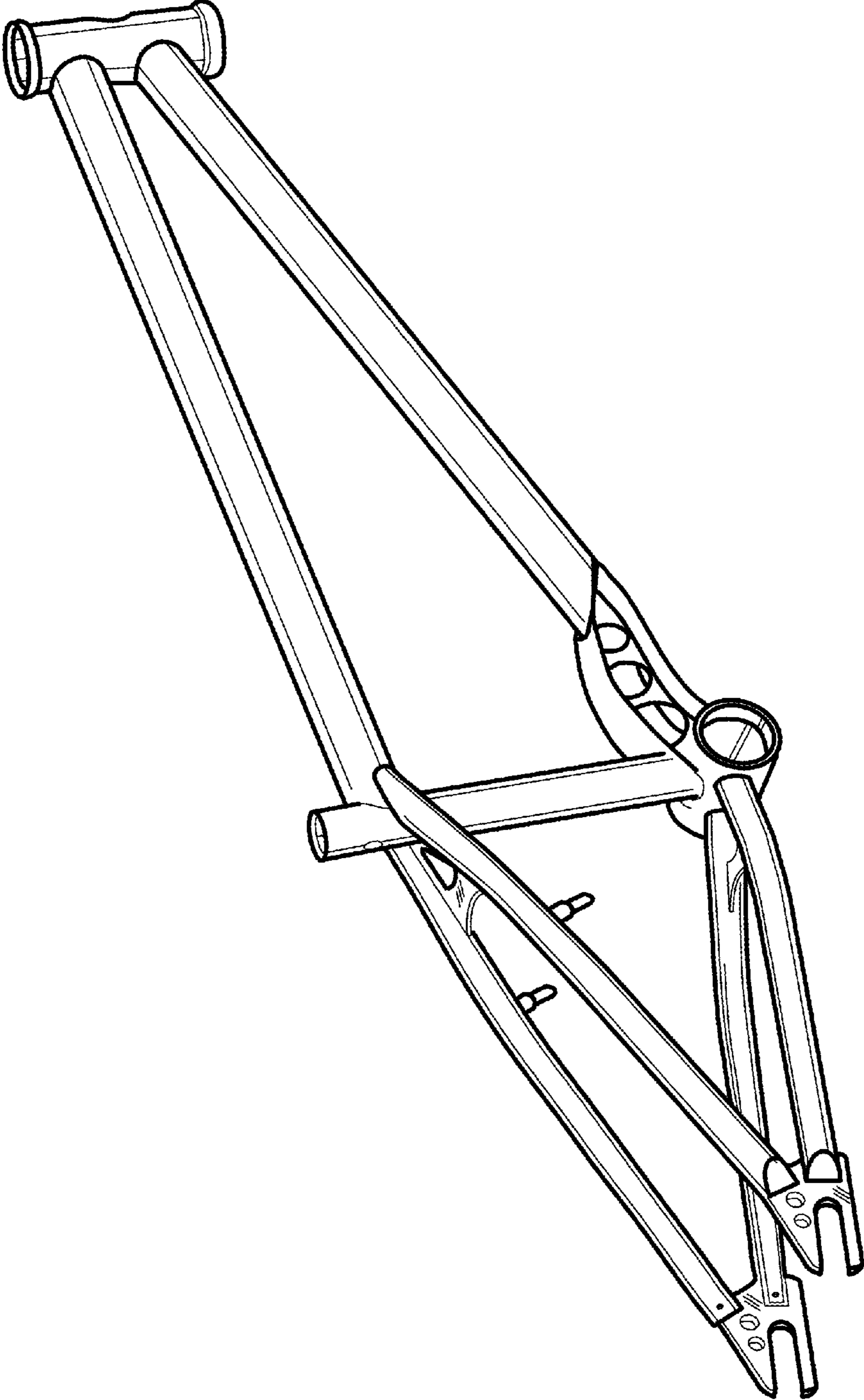


Fig. 5