



US00D682740S

(12) **United States Design Patent**  
**Tomatsu et al.**

(10) **Patent No.:** **US D682,740 S**  
(45) **Date of Patent:** **\*\* May 21, 2013**

- (54) **MOTOR VEHICLE AND/OR TOY REPLICA THEREOF**
- (71) Applicant: **Toyota Jidosha Kabushiki Kaisha, Aichi-ken (JP)**
- (72) Inventors: **Nobuyuki Tomatsu, Toyota (JP); Toyokazu Nishihama, Toyota (JP); Shin Miyata, Toyota (JP); Hideaki Iida, Toyota (JP)**
- (73) Assignee: **Toyota Jidosha Kabushiki Kaisha (JP)**

- D611,388 S 3/2010 Hogios et al.
- D612,296 S 3/2010 Miyazaki et al.
- D612,299 S 3/2010 Ito et al.
- D620,985 S 8/2010 Mochizuki et al.
- D625,665 S 10/2010 Kim et al.
- D629,718 S 12/2010 Reichman et al.
- D630,555 S 1/2011 Koshino et al.
- D632,223 S 2/2011 Jacob et al.
- D638,334 S 5/2011 Taniko et al.
- D648,655 S 11/2011 Bischoff et al.
- D671,036 S \* 11/2012 Inatomi et al. .... D12/92
- D671,459 S \* 11/2012 Yamada et al. .... D12/92
- D672,689 S \* 12/2012 Kubota et al. .... D12/92

- (\*\*) Term: **14 Years**
- (21) Appl. No.: **29/433,625**
- (22) Filed: **Oct. 2, 2012**

**Related U.S. Application Data**

- (62) Division of application No. 29/388,445, filed on Mar. 29, 2011.

**Foreign Application Priority Data**

- Oct. 6, 2010 (JP) ..... 2010-023935
- (51) **LOC (9) Cl.** ..... **12-08**
- (52) **U.S. Cl.**  
USPC ..... **D12/92**
- (58) **Field of Classification Search**  
USPC ..... D12/86, 90-92, 88; D21/424, 433, D21/434; 296/181.1, 181.5  
See application file for complete search history.

**References Cited**

**U.S. PATENT DOCUMENTS**

- D561,645 S 2/2008 Kim et al.
- D599,708 S 9/2009 Li et al.
- D603,297 S 11/2009 Takahashi
- D606,901 S 12/2009 Inukai et al.

**OTHER PUBLICATIONS**

Infinity, Infinity M, [http://www.netcarshow.com/infiniti/2011-m/800x600/wallpaper\\_06.htm](http://www.netcarshow.com/infiniti/2011-m/800x600/wallpaper_06.htm), available at least as early as May 28, 2010.

(Continued)

*Primary Examiner* — Melody N Brown

(74) *Attorney, Agent, or Firm* — SAIDMAN Designlaw Group

**CLAIM**

(57) The ornamental design for a motor vehicle and/or toy replica thereof, as shown and described.

**DESCRIPTION**

FIG. 1 is a front, left perspective view of a motor vehicle and/or toy replica thereof showing our new design; FIG. 2 is a front, right perspective view thereof; FIG. 3 is a front view thereof, the rear view being a mirror image thereof; FIG. 4 is a top view thereof; FIG. 5 is a left side view thereof; and, FIG. 6 is a right side view thereof. The broken lines illustrate portions of the motor vehicle and/or toy replica thereof and form no part of the claimed design.

**1 Claim, 3 Drawing Sheets**



# US D682,740 S

Page 2

---

## OTHER PUBLICATIONS

BMW, BMW 5 Series, [http://www.netcarshow.com/bmw/2011-5-series/800x600/wallpaper\\_02.htm](http://www.netcarshow.com/bmw/2011-5-series/800x600/wallpaper_02.htm), available at least as early as May 28, 2010.

Audi, Audi A6, [http://www.netcarshow.com/audi/2009-a6/800x600/wallpaper\\_09.htm](http://www.netcarshow.com/audi/2009-a6/800x600/wallpaper_09.htm), available at least as early as May 28, 2010.

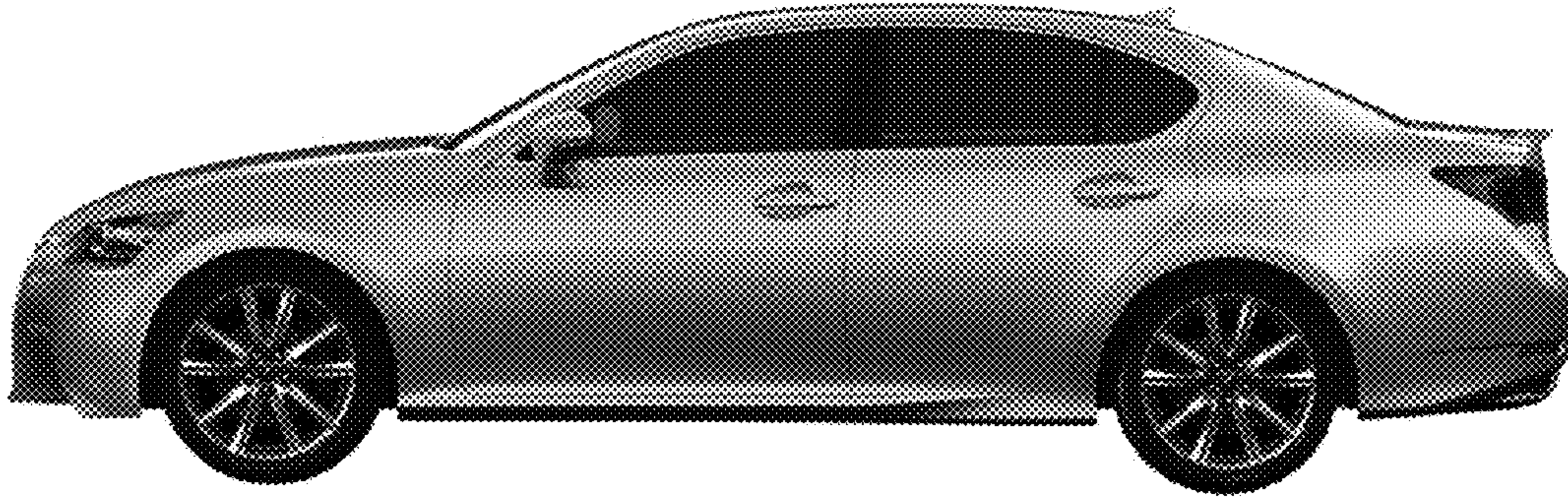
\* cited by examiner



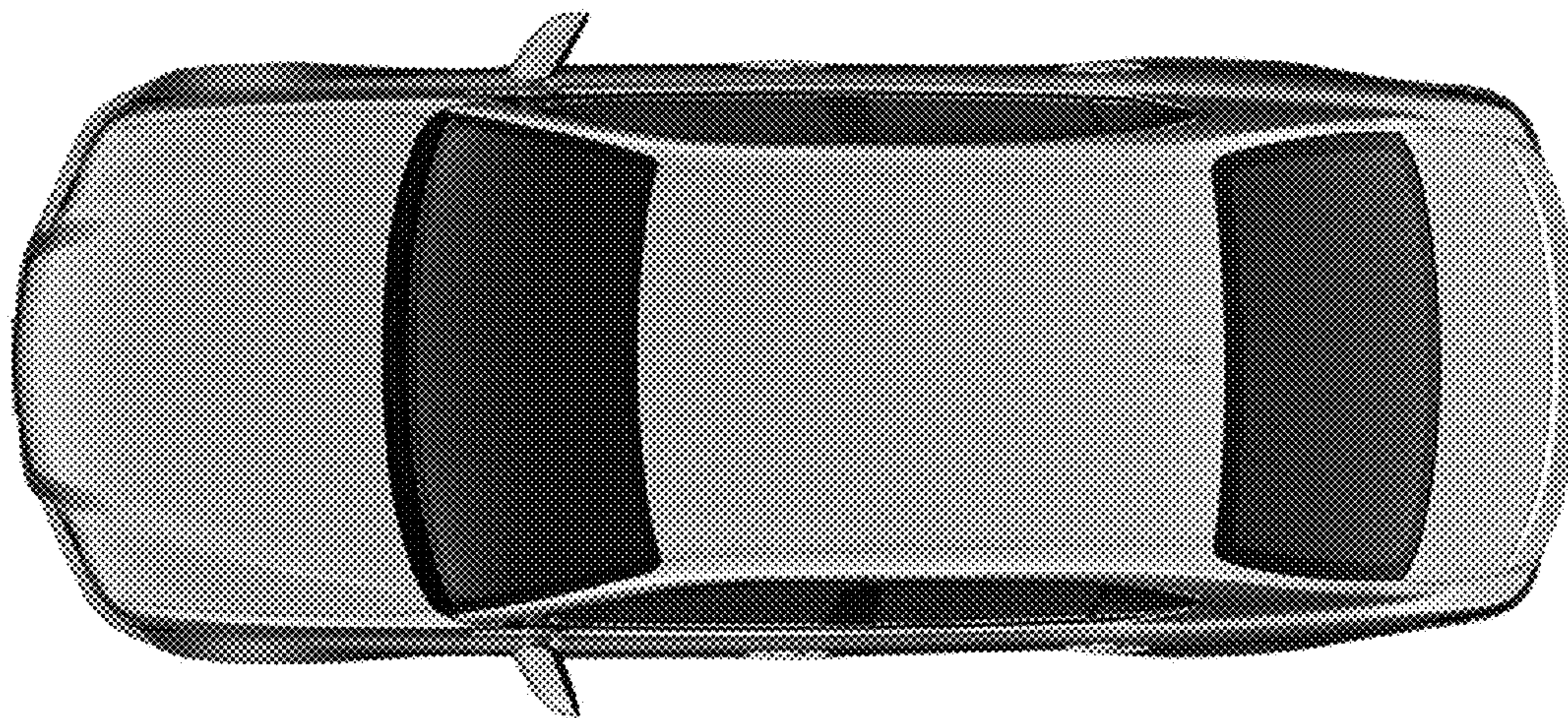
**FIG. 1**



**FIG. 2**



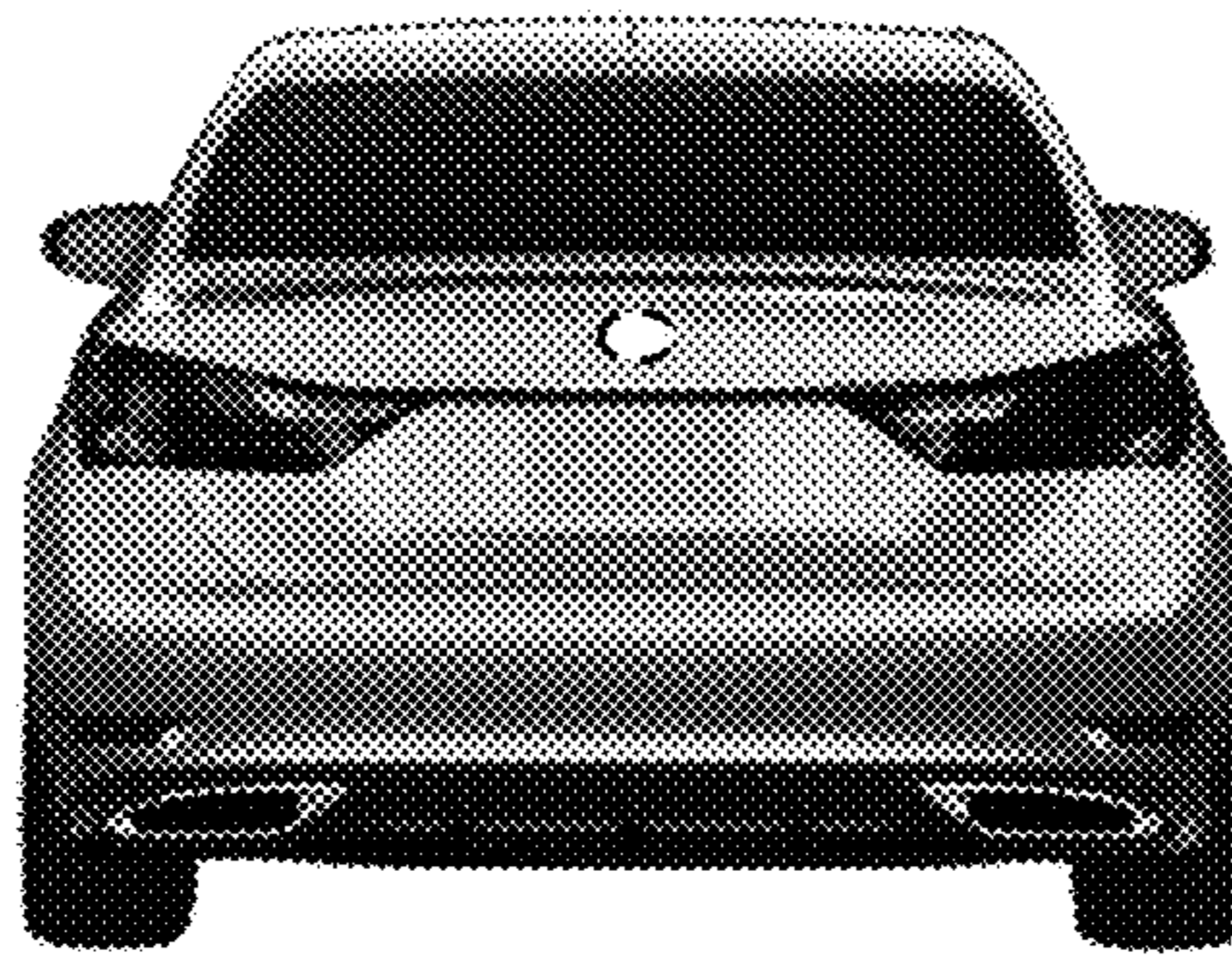
**FIG. 3**



**FIG. 4**



**FIG. 5**



**FIG. 6**