



US00D682739S

(12) **United States Design Patent**  
**Patterson et al.**

(10) **Patent No.:** **US D682,739 S**

(45) **Date of Patent:** **\*\* \*May 21, 2013**

(54) **GO-KART**

(75) Inventors: **Wayne Patterson**, Oakland, OR (US);  
**Johnny Liao**, Irvine, CA (US)

(73) Assignee: **APT IP Holdings LLC**, Kansas City,  
MO (US)

(\*) Notice: This patent is subject to a terminal disclaimer.

(\*\*) Term: **14 Years**

(21) Appl. No.: **29/389,607**

(22) Filed: **Apr. 14, 2011**

(51) **LOC (9) Cl.** ..... **12-08**

(52) **U.S. Cl.**  
USPC ..... **D12/87**

(58) **Field of Classification Search**  
USPC ..... D12/1, 14, 85, 86, 88; D21/424,  
D21/433; 180/208, 224, 291, 309, 311, 337,  
180/357; 280/779, 781; 296/146.11, 203.03  
See application file for complete search history.

(56) **References Cited**

**U.S. PATENT DOCUMENTS**

D299,705 S \* 2/1989 Carpanelli et al. .... D12/88  
4,887,844 A \* 12/1989 Enokimoto et al. .... 280/779  
D312,989 S \* 12/1990 Murata et al. .... D12/87  
D410,258 S \* 5/1999 Lerch ..... D21/433

5,961,135 A \* 10/1999 Smock ..... 280/124.11  
D453,711 S \* 2/2002 Hettich et al. .... D12/86  
D453,912 S \* 2/2002 Hettich et al. .... D12/86  
6,349,786 B1 \* 2/2002 Gift ..... 180/271  
D467,200 S \* 12/2002 Luo et al. .... D12/87  
6,749,039 B1 \* 6/2004 Uphaus ..... 180/357  
D500,707 S \* 1/2005 Lu ..... D12/87  
D503,658 S \* 4/2005 Lu ..... D12/87  
D535,215 S \* 1/2007 Turner et al. .... D12/87  
2002/0011374 A1 \* 1/2002 Brister ..... 180/291

\* cited by examiner

*Primary Examiner* — Philip S Hyder

*Assistant Examiner* — John T Applewhite

(74) *Attorney, Agent, or Firm* — Holland & Hart LLP

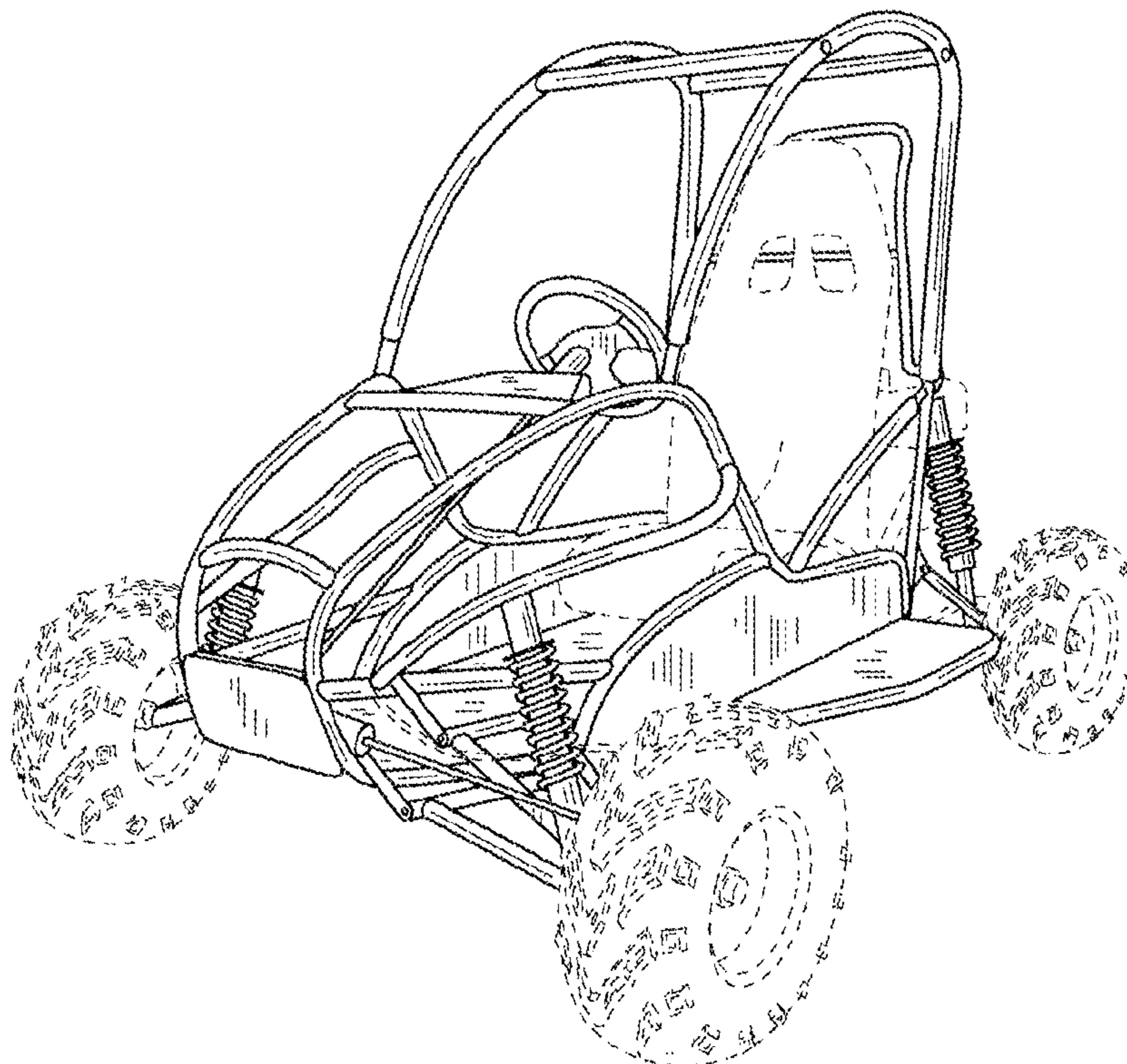
(57) **CLAIM**

The ornamental design for a go-kart, as shown and described.

**DESCRIPTION**

FIG. 1 is a front perspective view of the go-kart;  
FIG. 2 is a right side view of the go-kart;  
FIG. 3 is a left side view of the go-kart;  
FIG. 4 is a front view of the go-kart;  
FIG. 5 is a back view of the go-kart; and,  
FIG. 6 is a top view of the go-kart.  
The portions shown in phantom lines in FIGS. 1-6 form no part of the claimed design but are provided for completeness. The broken lines illustrate portions of the go-kart that form no part of claimed design.

**1 Claim, 6 Drawing Sheets**



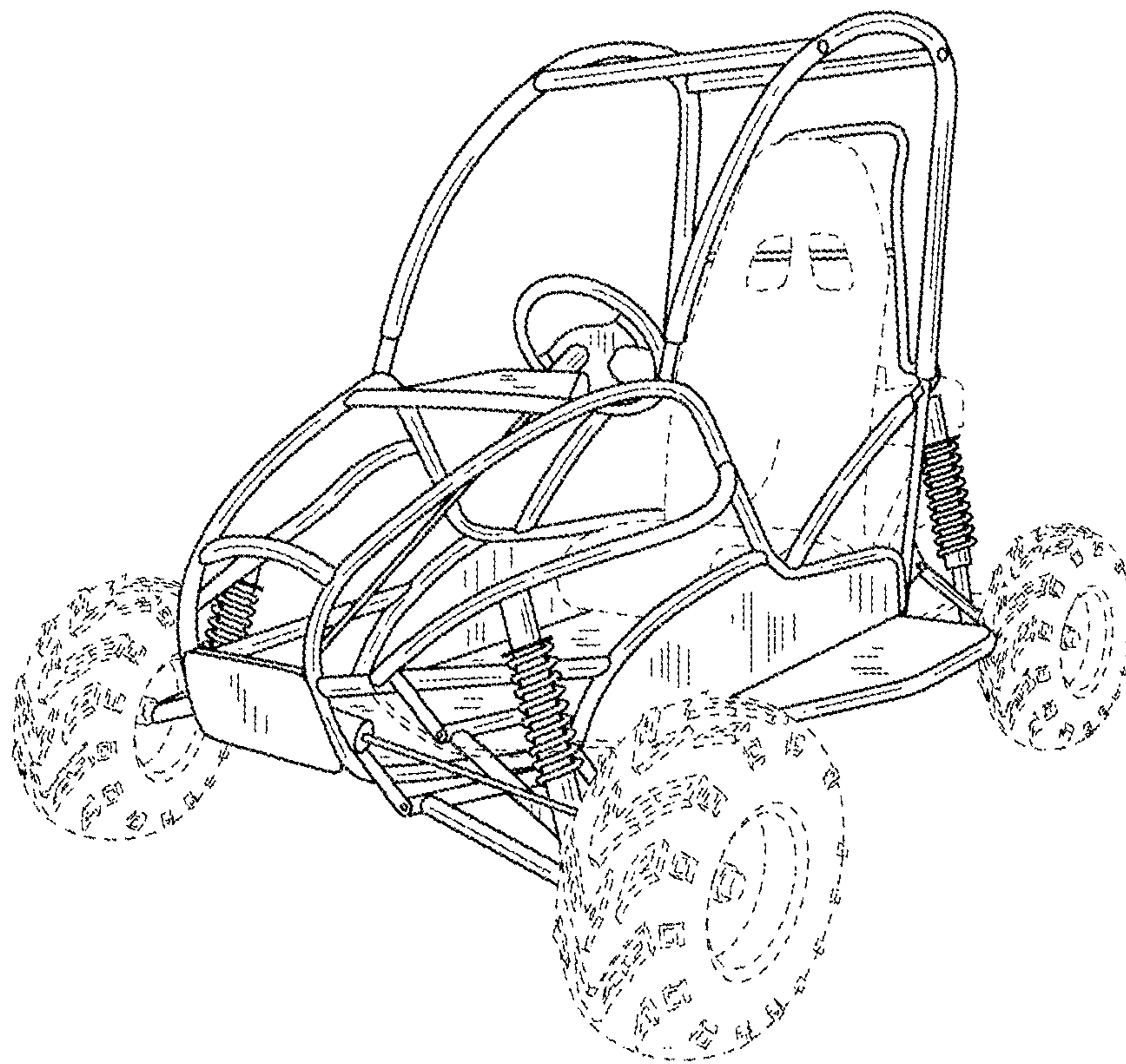


FIG.1

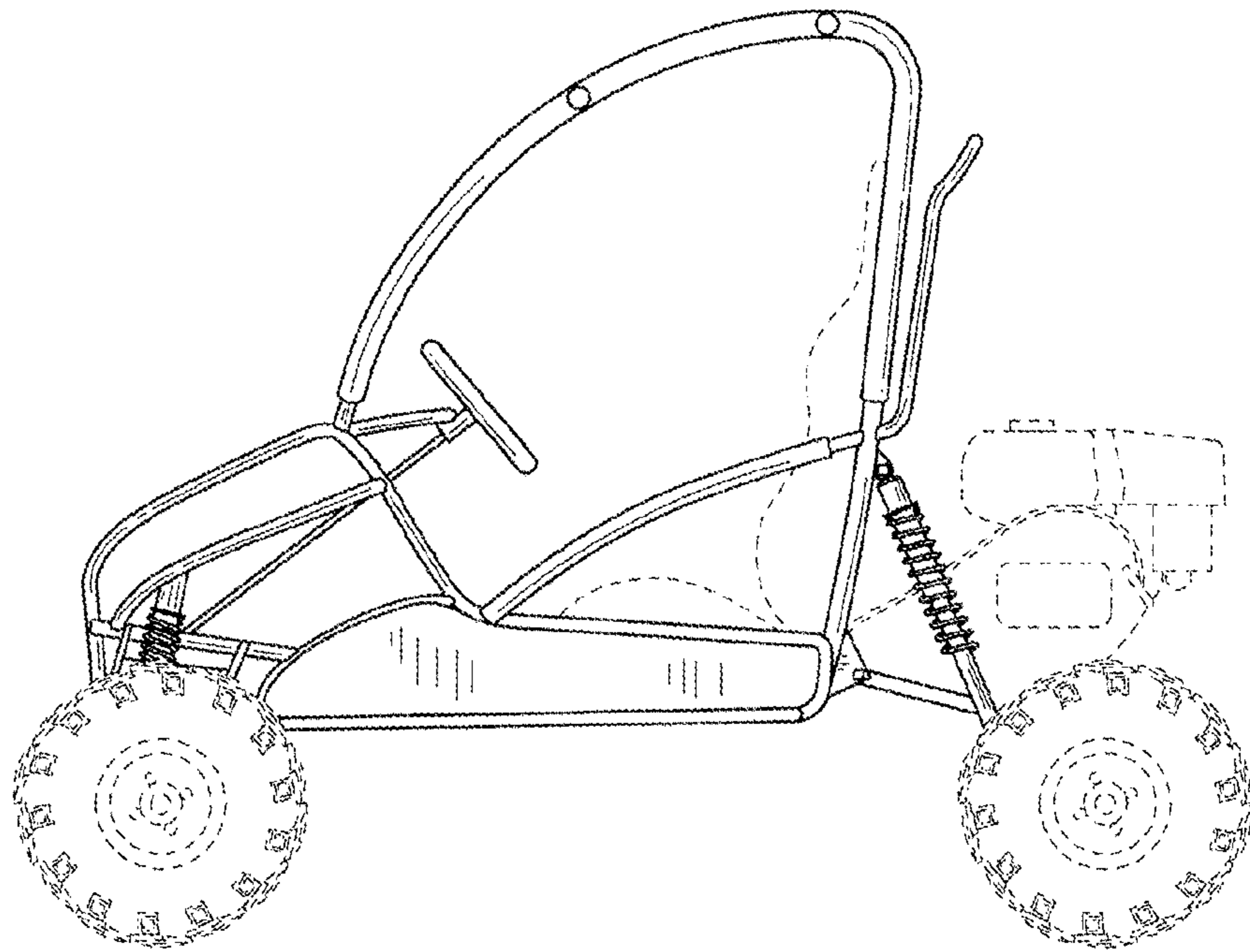


FIG.2

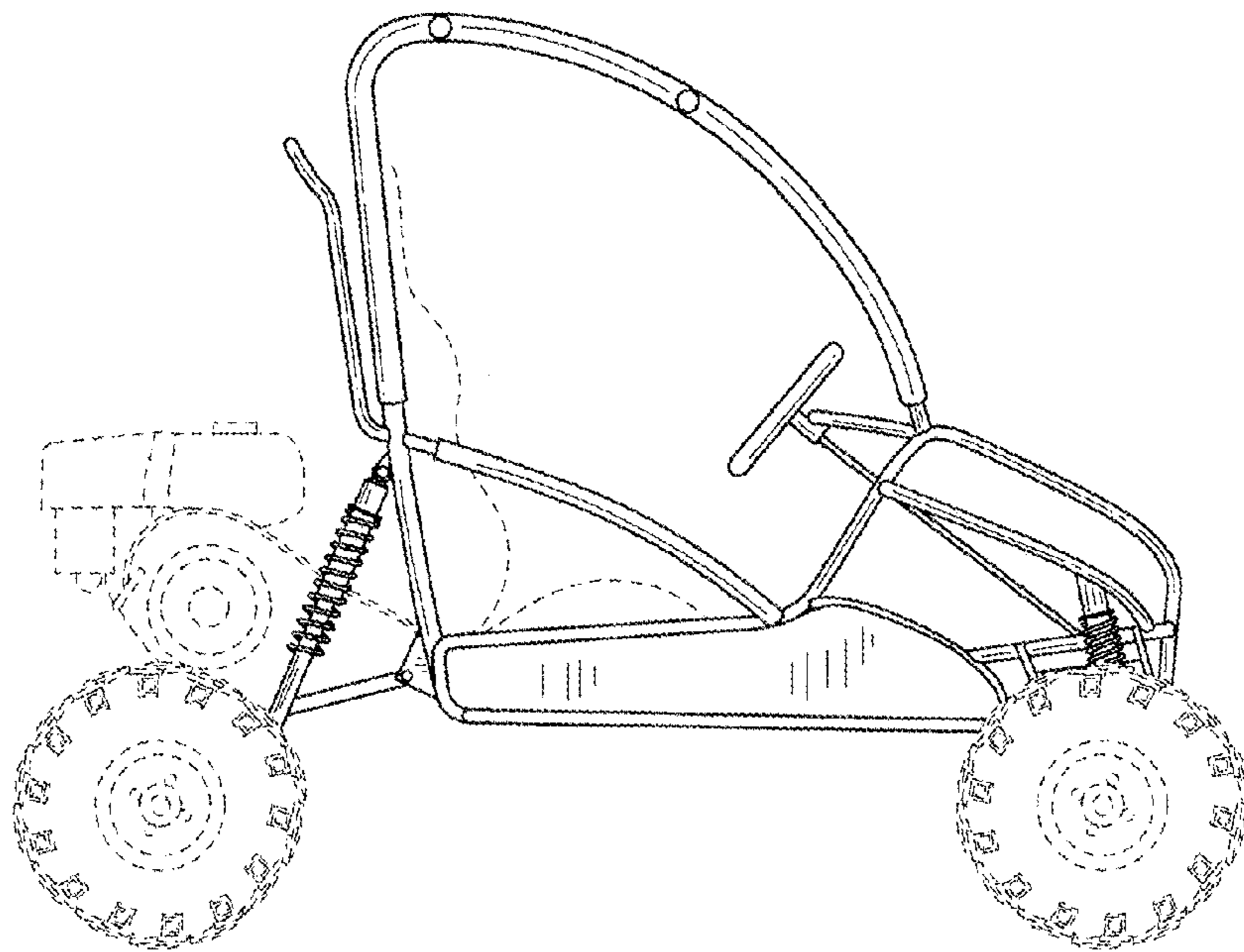


FIG.3

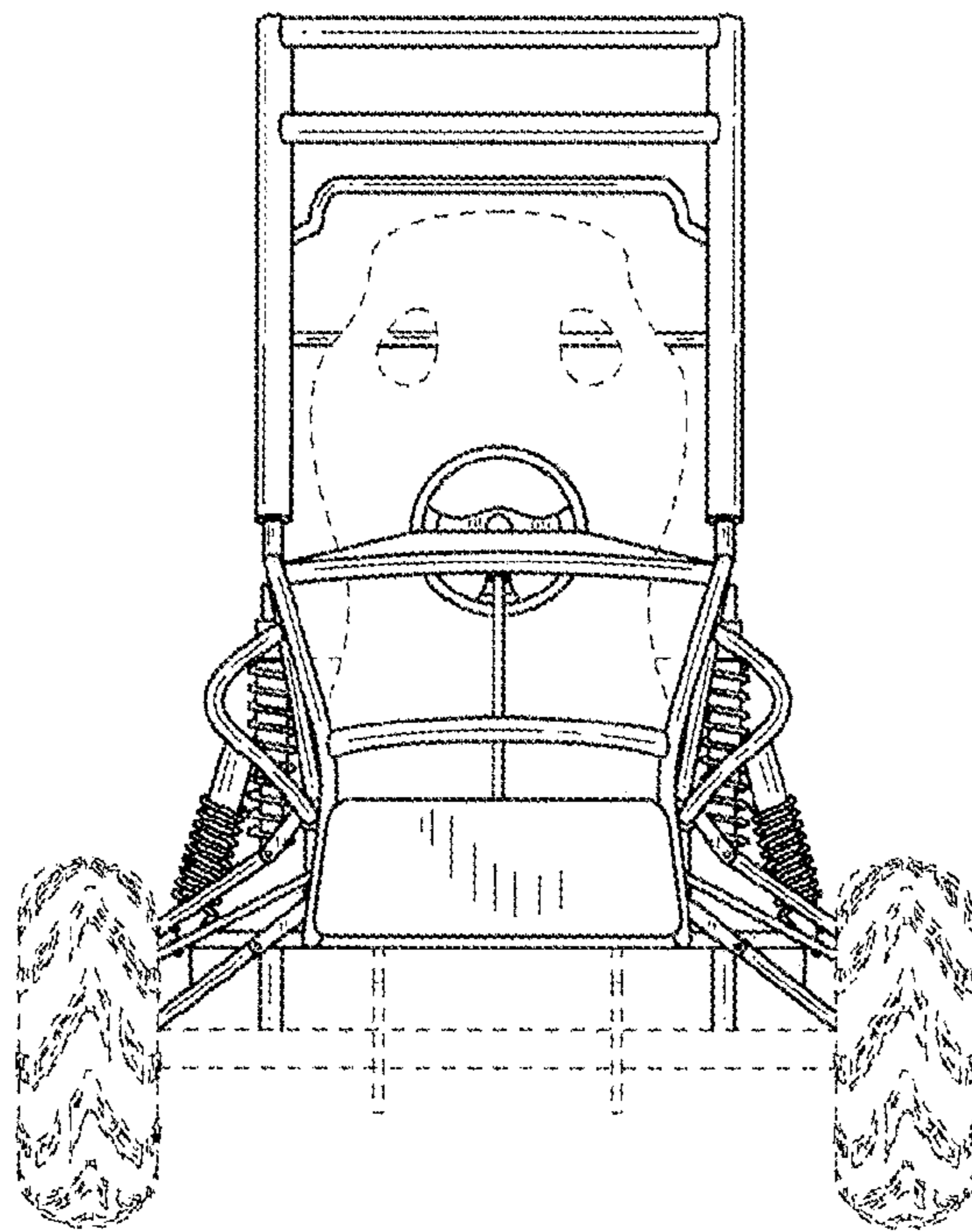


FIG.4

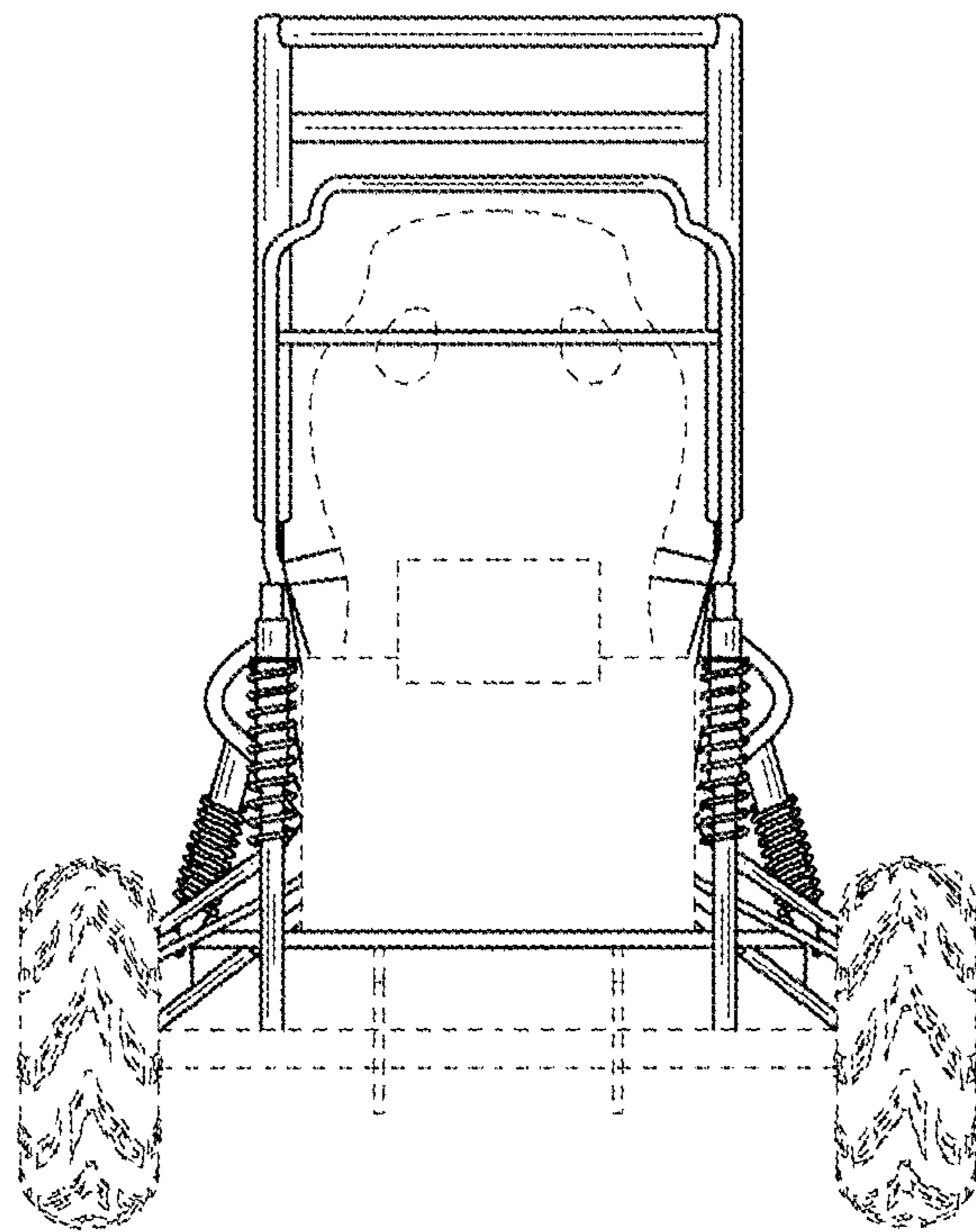


FIG.5

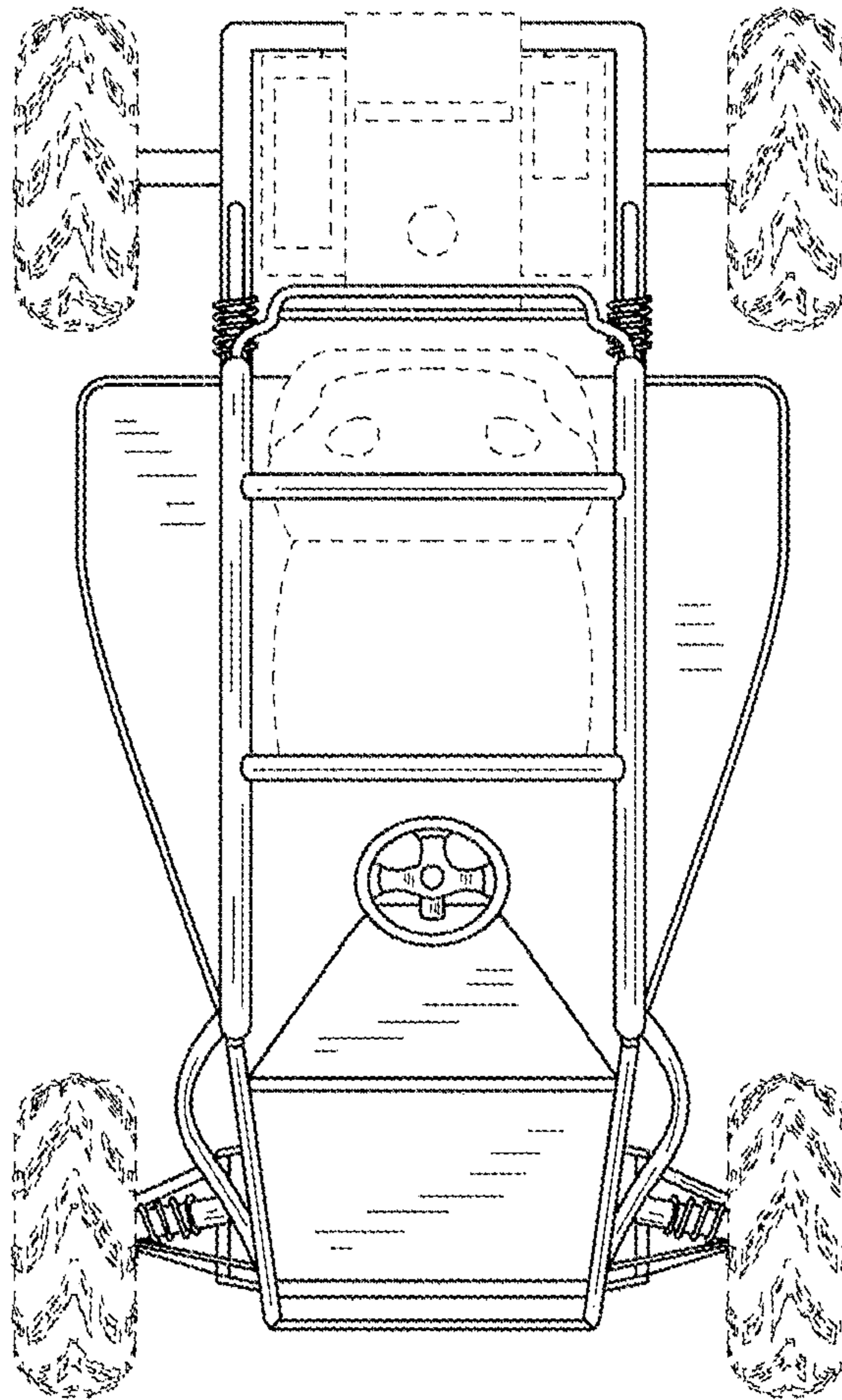


FIG.6