

US00D682738S

(12) **United States Design Patent**
Li et al.

(10) **Patent No.:** **US D682,738 S**

(45) **Date of Patent:** **** May 21, 2013**

(54) **UTILITY TERRAIN VEHICLE**

(75) Inventors: **Guanxiang Li**, Chongqing (CN); **Hui Li**, Chongqing (CN)

(73) Assignee: **Chongqing Huansong Industries (Group) Co., Ltd.**, Chongqing (CN)

(**) Term: **14 Years**

(21) Appl. No.: **29/381,025**

(22) Filed: **Dec. 14, 2010**

(51) **LOC (9) Cl.** **12-14**

(52) **U.S. Cl.**
USPC **D12/14**

(58) **Field of Classification Search** D12/87,
D12/86, 1, 433, 15, 16, 107, 82, 88, 89, 90,
D12/91, 92, 93; D15/30; D21/803; 180/233,
180/908; 280/DIG. 5, 183, 184, 185, 186,
280/28, 37.7

See application file for complete search history.

D606,900 S * 12/2009 Flores D12/87
D607,377 S * 1/2010 Shimomura et al. D12/14
D621,423 S * 8/2010 Nakanishi et al. D15/23
D622,631 S * 8/2010 Lai et al. D12/87
D624,848 S * 10/2010 Shimomura D12/14
D625,662 S * 10/2010 Li D12/87
D631,395 S * 1/2011 Tandrup et al. D12/14
D633,006 S * 2/2011 Sanschagrin et al. D12/1
D636,704 S * 4/2011 Yoo et al. D12/1
D640,598 S * 6/2011 Zhang D12/16
D641,288 S * 7/2011 Sun D12/87
D642,493 S * 8/2011 Goebert et al. D12/87
D670,198 S * 11/2012 Li et al. D12/14
8,302,711 B2 * 11/2012 Kinsman et al. 180/41
2008/0053738 A1 * 3/2008 Kosuge et al. 180/311
2010/0155170 A1 * 6/2010 Melvin et al. 180/339

* cited by examiner

Primary Examiner — T. Chase Nelson

Assistant Examiner — Ania Aman

(74) *Attorney, Agent, or Firm* — Locke Lord LLP

(57) **CLAIM**

The ornamental design for a utility terrain vehicle, as shown and described.

DESCRIPTION

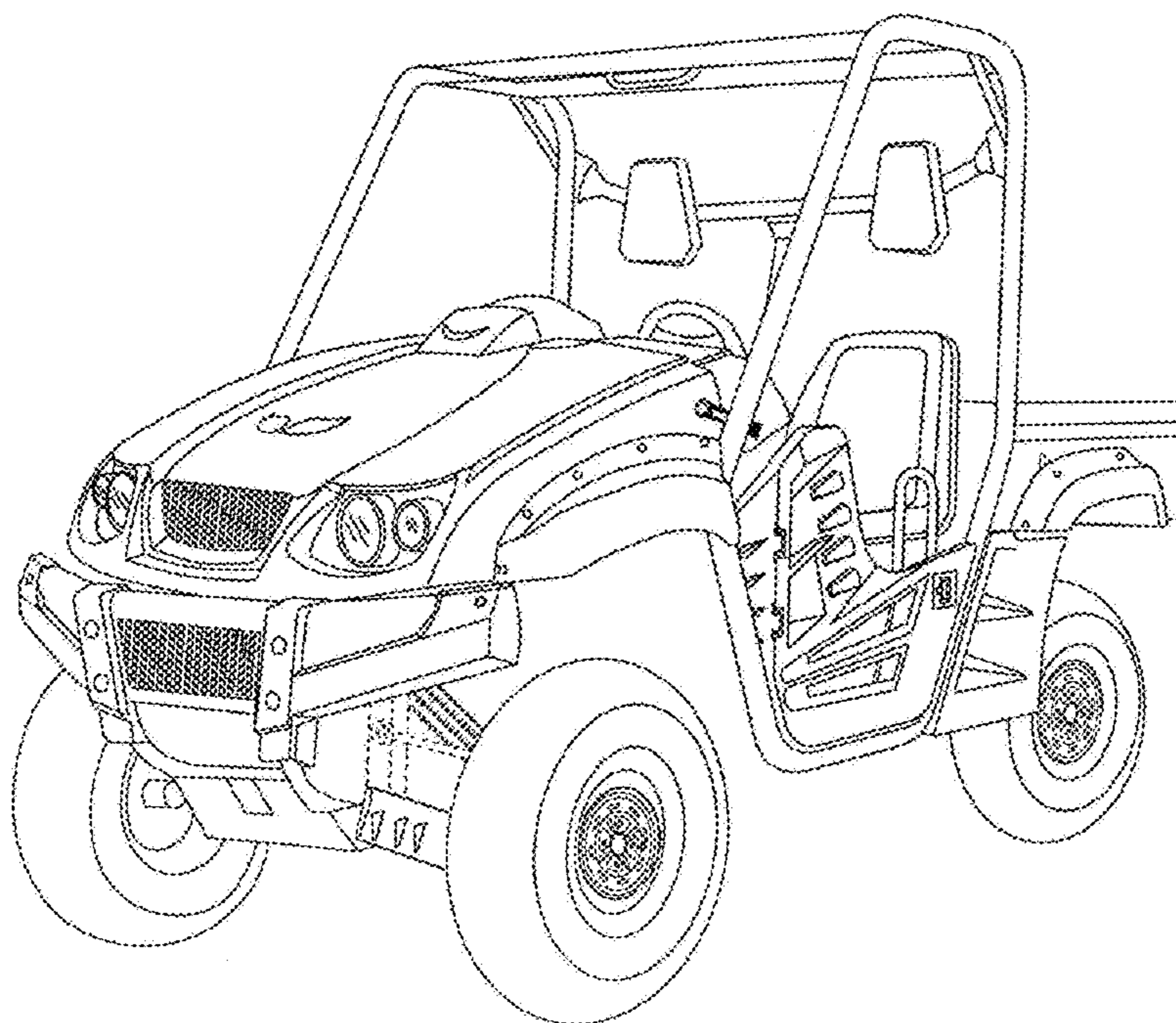
FIG. 1 is a left perspective view of the utility terrain vehicle showing my new design thereof;
FIG. 2 is a left side view thereof;
FIG. 3 is a right side view thereof;
FIG. 4 is a top view thereof;
FIG. 5 is a front view thereof; and,
FIG. 6 is a rear view thereof.

1 Claim, 6 Drawing Sheets

(56) **References Cited**

U.S. PATENT DOCUMENTS

D503,657 S * 4/2005 Katoh D12/14
D504,638 S * 5/2005 Tanaka et al. D12/14
D511,317 S * 11/2005 Tanaka et al. D12/1
7,281,753 B2 * 10/2007 Curtis et al. 296/146.1
D578,433 S * 10/2008 Kawaguchi et al. D12/14
D578,934 S * 10/2008 Tanaka et al. D12/14
D592,998 S * 5/2009 Woodard et al. D12/14
D595,613 S * 7/2009 Lai et al. D12/14
D604,201 S * 11/2009 Kawaguchi et al. D12/14
D605,555 S * 12/2009 Tanaka et al. D12/14



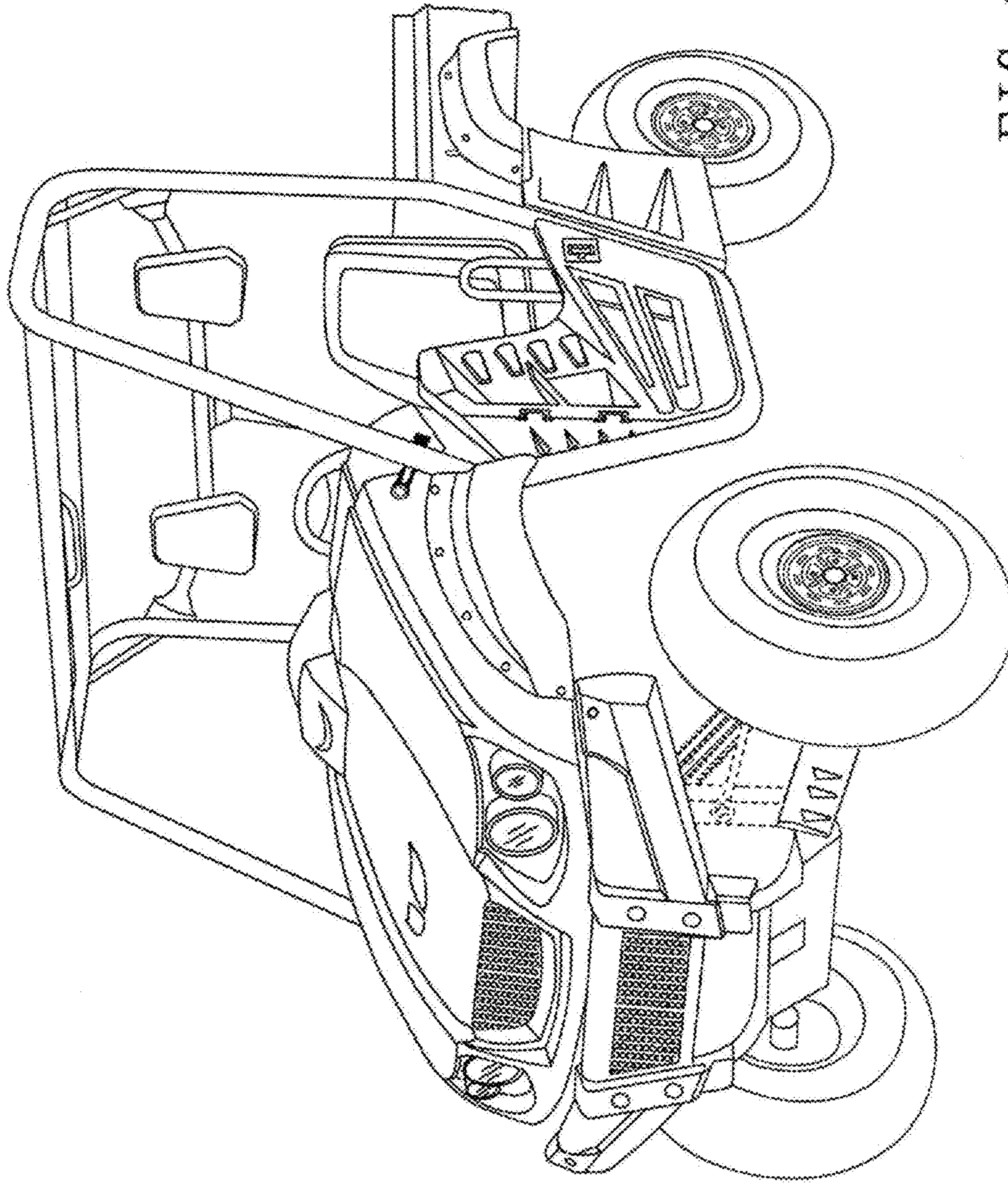


FIG. 1

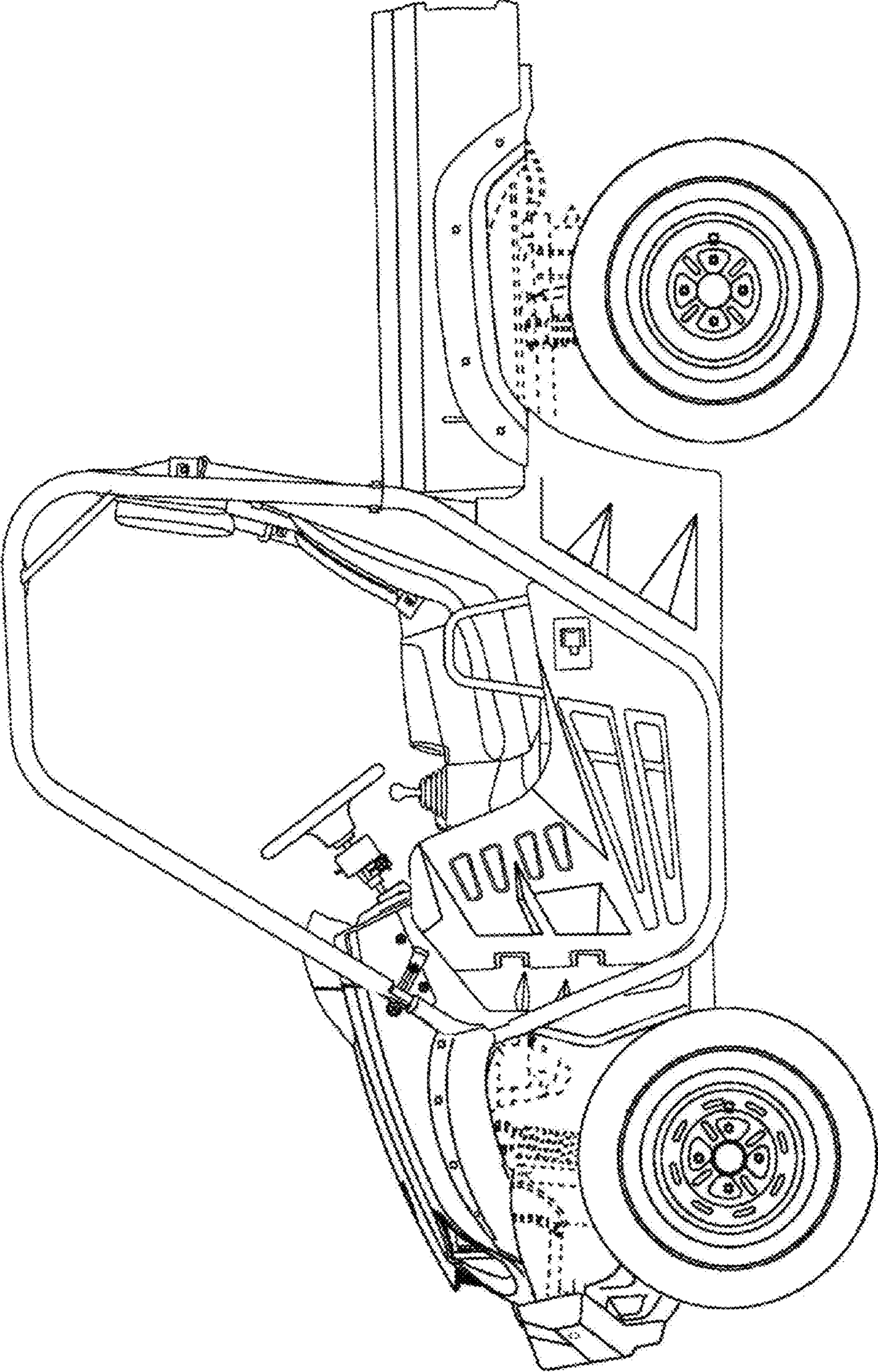


FIG. 2

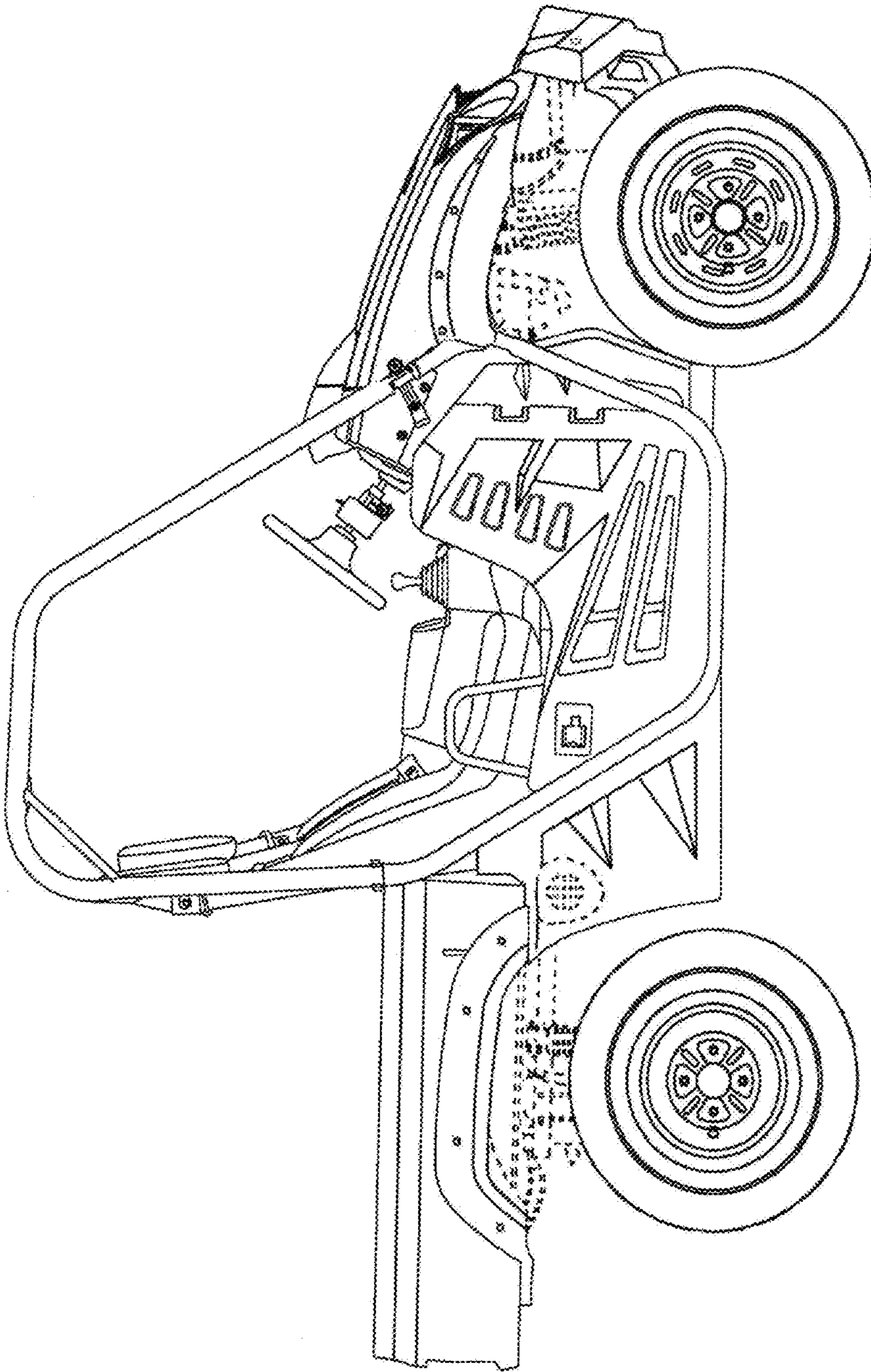


FIG. 3

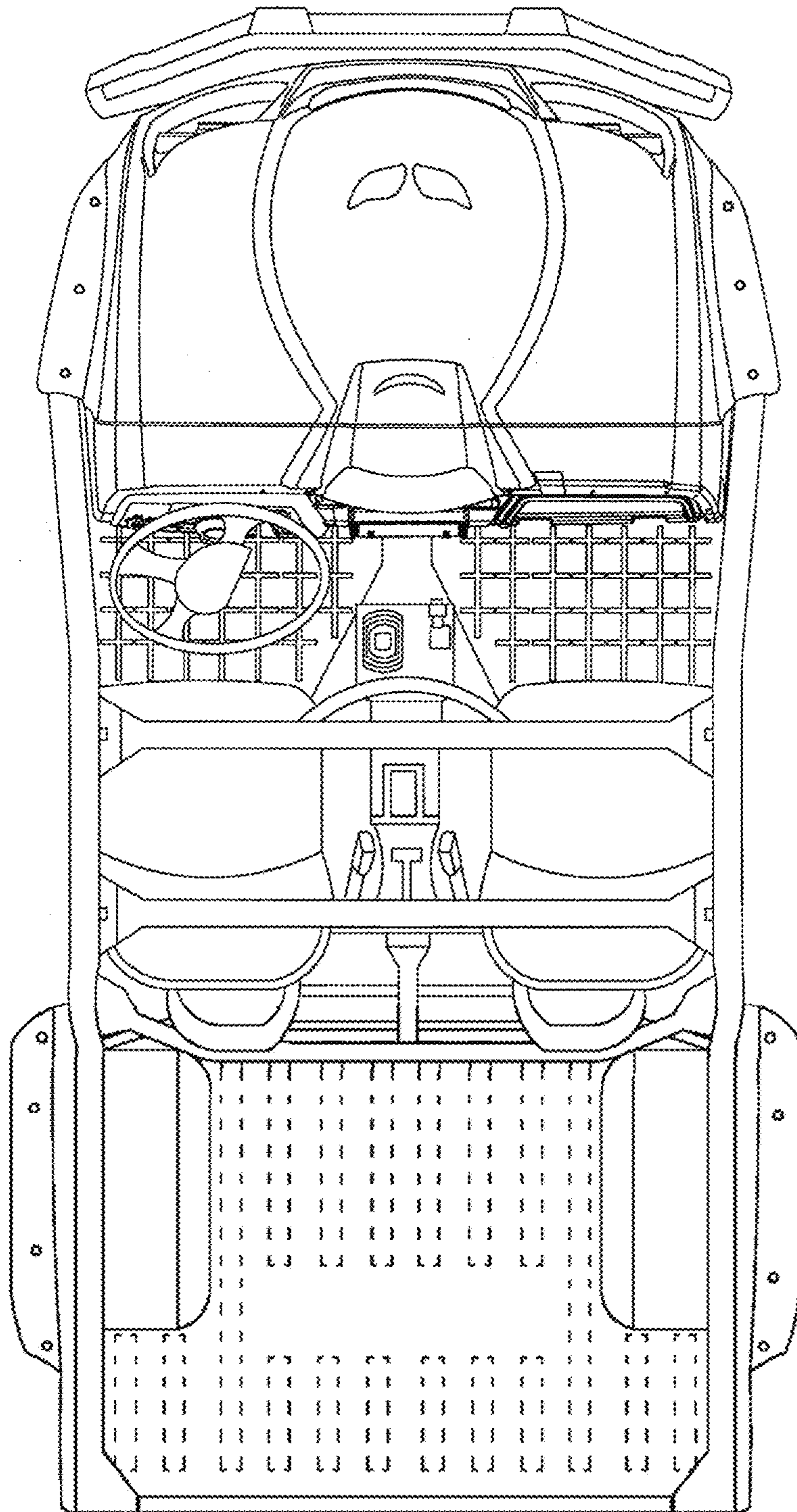


FIG. 4

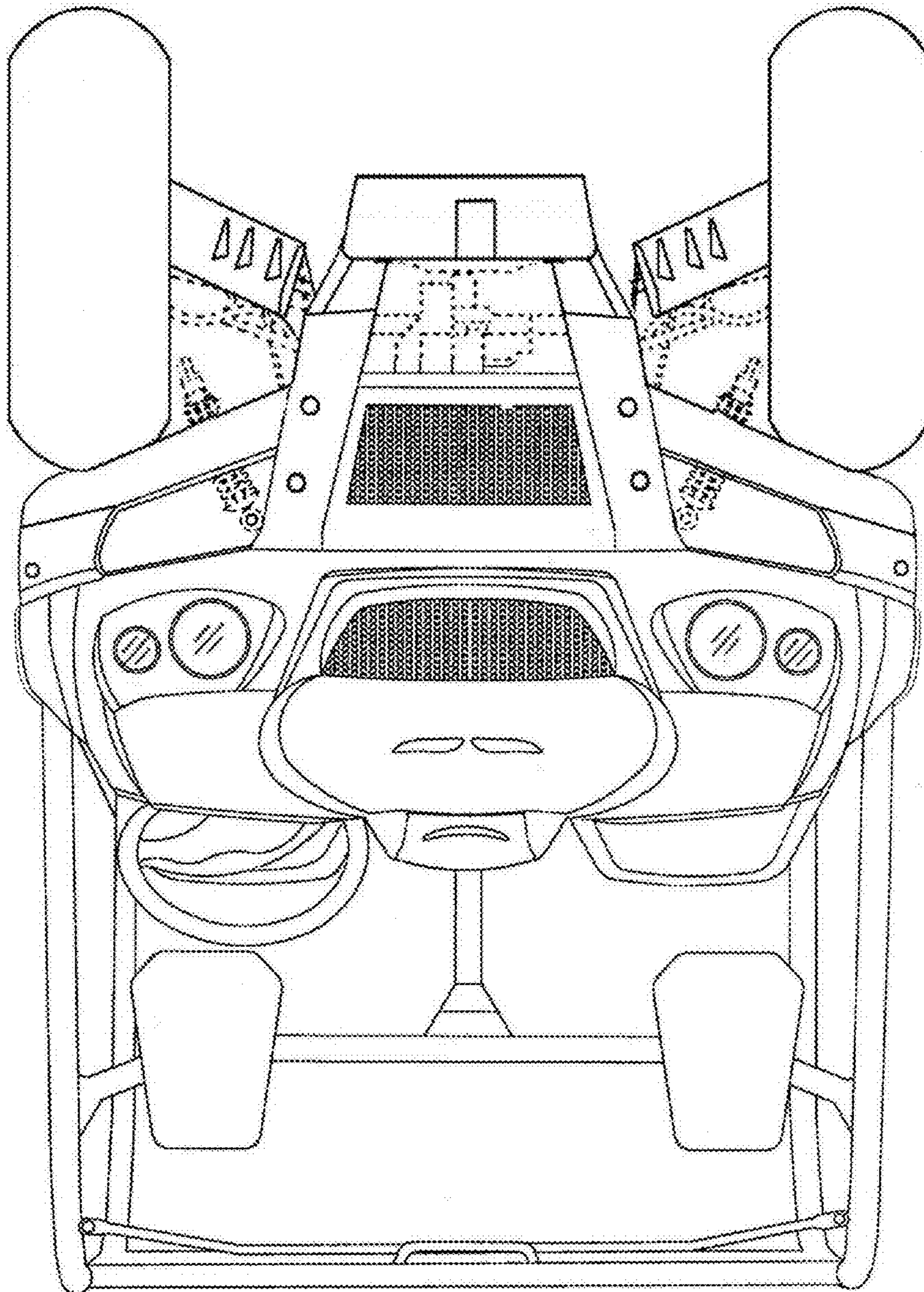


FIG. 5

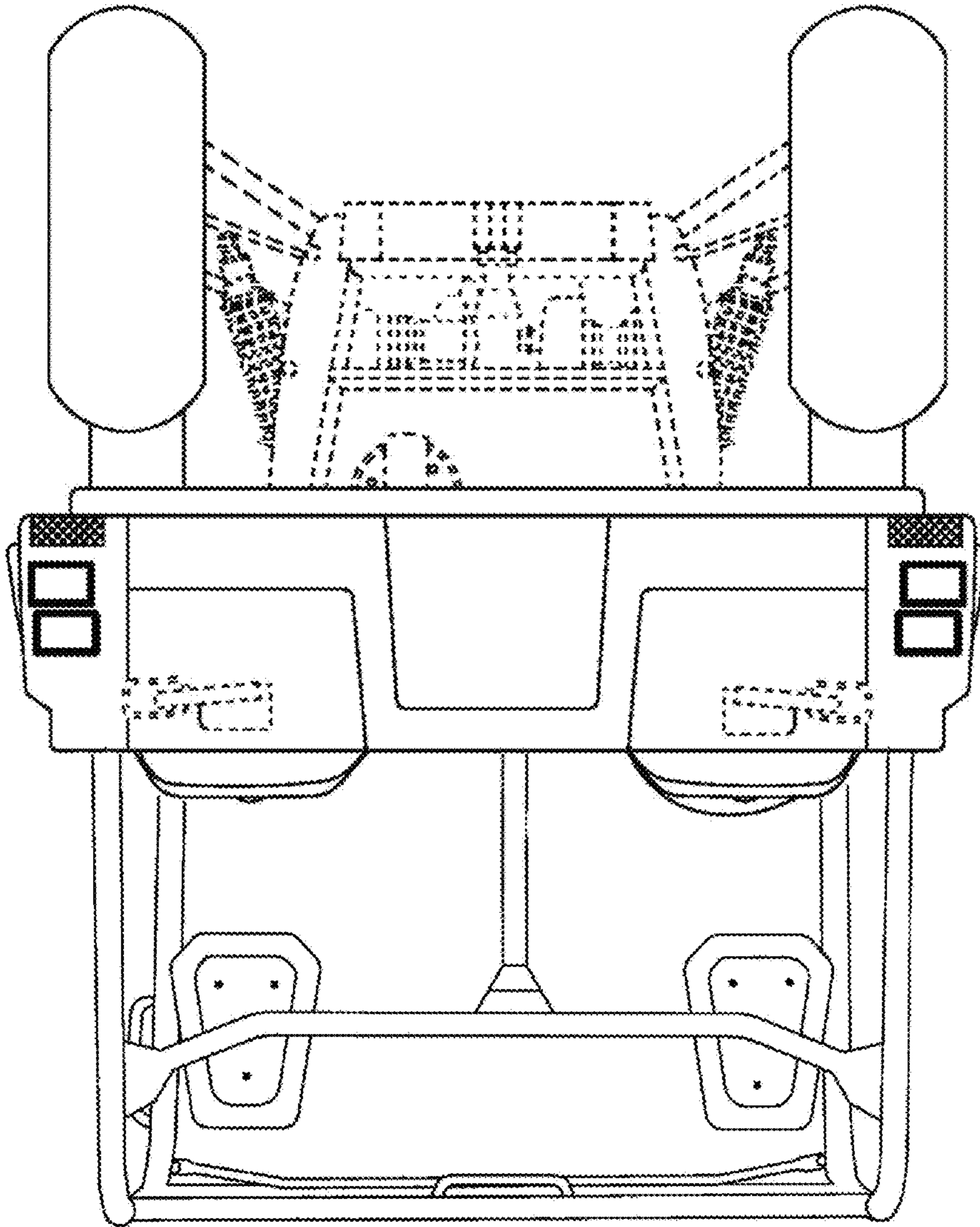


FIG. 6