



US00D682737S

(12) **United States Design Patent**
Li et al.

(10) **Patent No.:** **US D682,737 S**
(45) **Date of Patent:** **** May 21, 2013**

- (54) **UTILITY TERRAIN VEHICLE**
 - (75) Inventors: **Guanxiang Li**, Chongqing (CN); **Hui Li**, Chongqing (CN)
 - (73) Assignee: **Chongqing Huansong Industries (Group) Co., Ltd.**, Chongqing (CN)
 - (**) Term: **14 Years**
 - (21) Appl. No.: **29/381,004**
 - (22) Filed: **Dec. 14, 2010**
 - (51) **LOC (9) Cl.** **12-13**
 - (52) **U.S. Cl.**
USPC **D12/14**
 - (58) **Field of Classification Search** D12/87,
D12/86, 1, 433, 15, 16, 107, 82, 88, 89, 90,
D12/91, 92, 93; D15/30; D21/803; 180/233,
180/908; 280/DIG. 5, 183, 184, 185, 186,
280/28, 37.7
- See application file for complete search history.

D606,900 S *	12/2009	Flores	D12/87
D607,377 S *	1/2010	Shimomura et al.	D12/14
D621,423 S *	8/2010	Nakanishi et al.	D15/23
D622,631 S *	8/2010	Lai et al.	D12/87
D624,848 S *	10/2010	Shimomura	D12/14
D625,662 S *	10/2010	Li	D12/87
D631,395 S *	1/2011	Tandrup et al.	D12/14
D633,006 S *	2/2011	Sanschagrin et al.	D12/1
D636,704 S *	4/2011	Yoo et al.	D12/1
D640,598 S *	6/2011	Zhang	D12/16
D641,288 S *	7/2011	Sun	D12/87
D642,493 S *	8/2011	Goebert et al.	D12/87
D652,348 S *	1/2012	King et al.	D12/14

* cited by examiner

Primary Examiner — T. Chase Nelson
Assistant Examiner — Ania Aman

(74) *Attorney, Agent, or Firm* — Locke Lord LLP

(57) **CLAIM**
The ornamental design for a utility terrain vehicle, as shown and described.

DESCRIPTION

FIG. 1 is a left perspective view of the utility terrain vehicle showing my new design thereof;
FIG. 2 is a left side view thereof;
FIG. 3 is a right side view thereof;
FIG. 4 is a top view thereof;
FIG. 5 is a front view thereof; and,
FIG. 6 is a rear view thereof.
The broken lines showing of portions of the utility terrain vehicle are included for the purpose of illustrating environmental structure and form no part of the claimed design.

1 Claim, 6 Drawing Sheets

- (56) **References Cited**
- U.S. PATENT DOCUMENTS
- D503,657 S * 4/2005 Katoh D12/14
- D504,638 S * 5/2005 Tanaka et al. D12/14
- D511,317 S * 11/2005 Tanaka et al. D12/1
- 7,281,753 B2 * 10/2007 Curtis et al. 296/146.1
- D578,433 S * 10/2008 Kawaguchi et al. D12/14
- D578,934 S * 10/2008 Tanaka et al. D12/14
- D592,998 S * 5/2009 Woodard et al. D12/14
- D595,613 S * 7/2009 Lai et al. D12/14
- D604,201 S * 11/2009 Kawaguchi et al. D12/14
- D605,555 S * 12/2009 Tanaka et al. D12/14

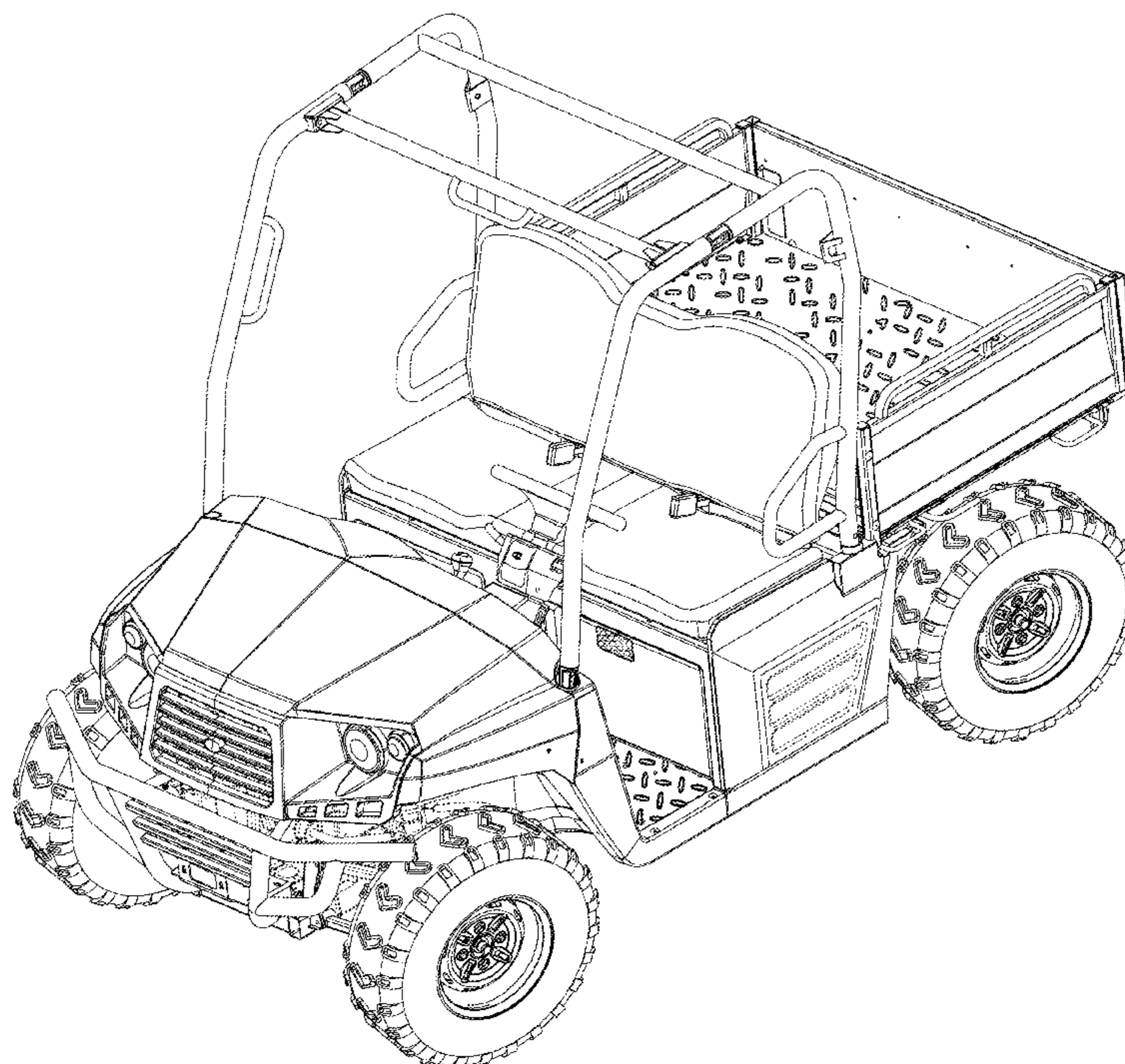
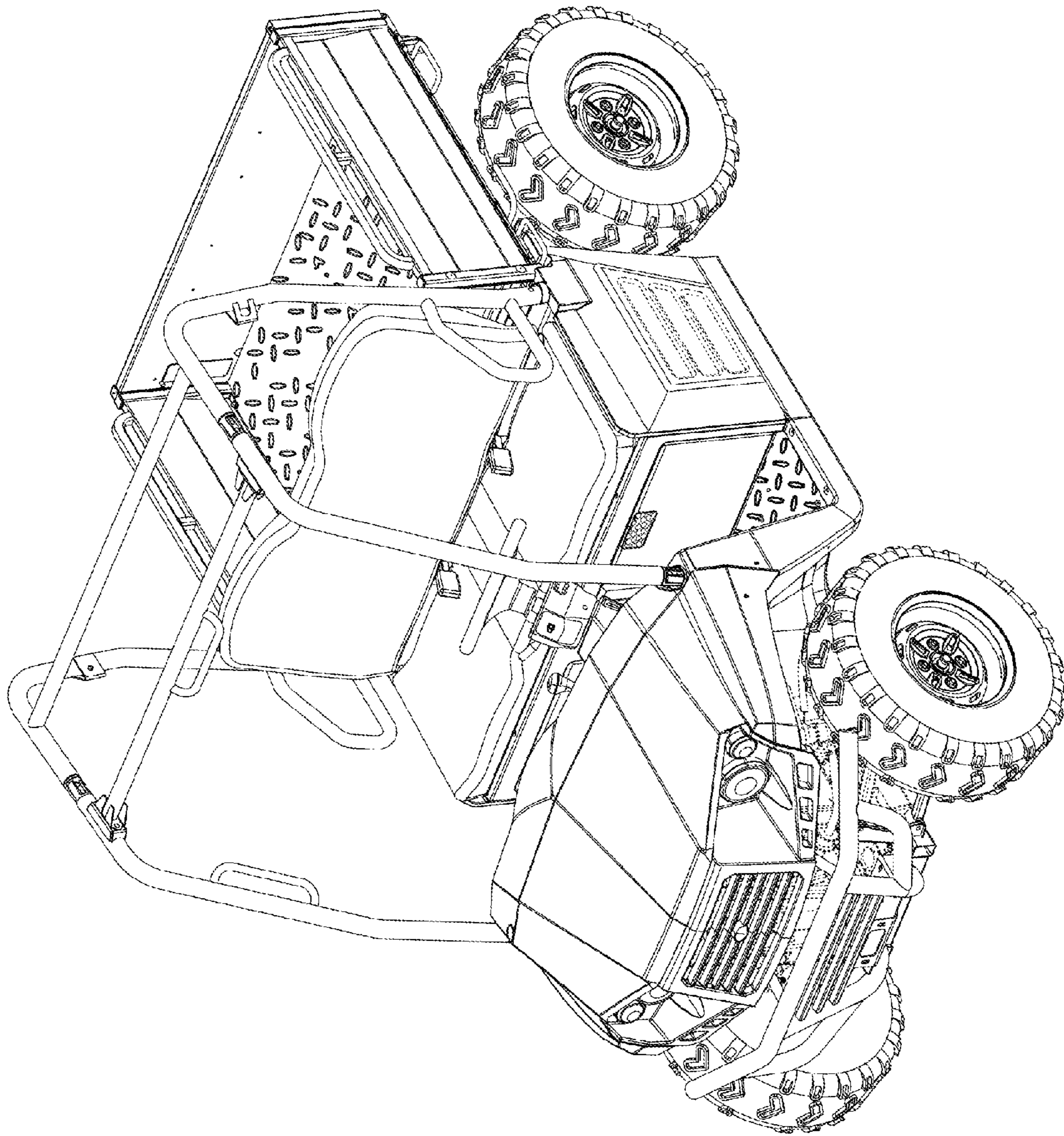


FIG. 1



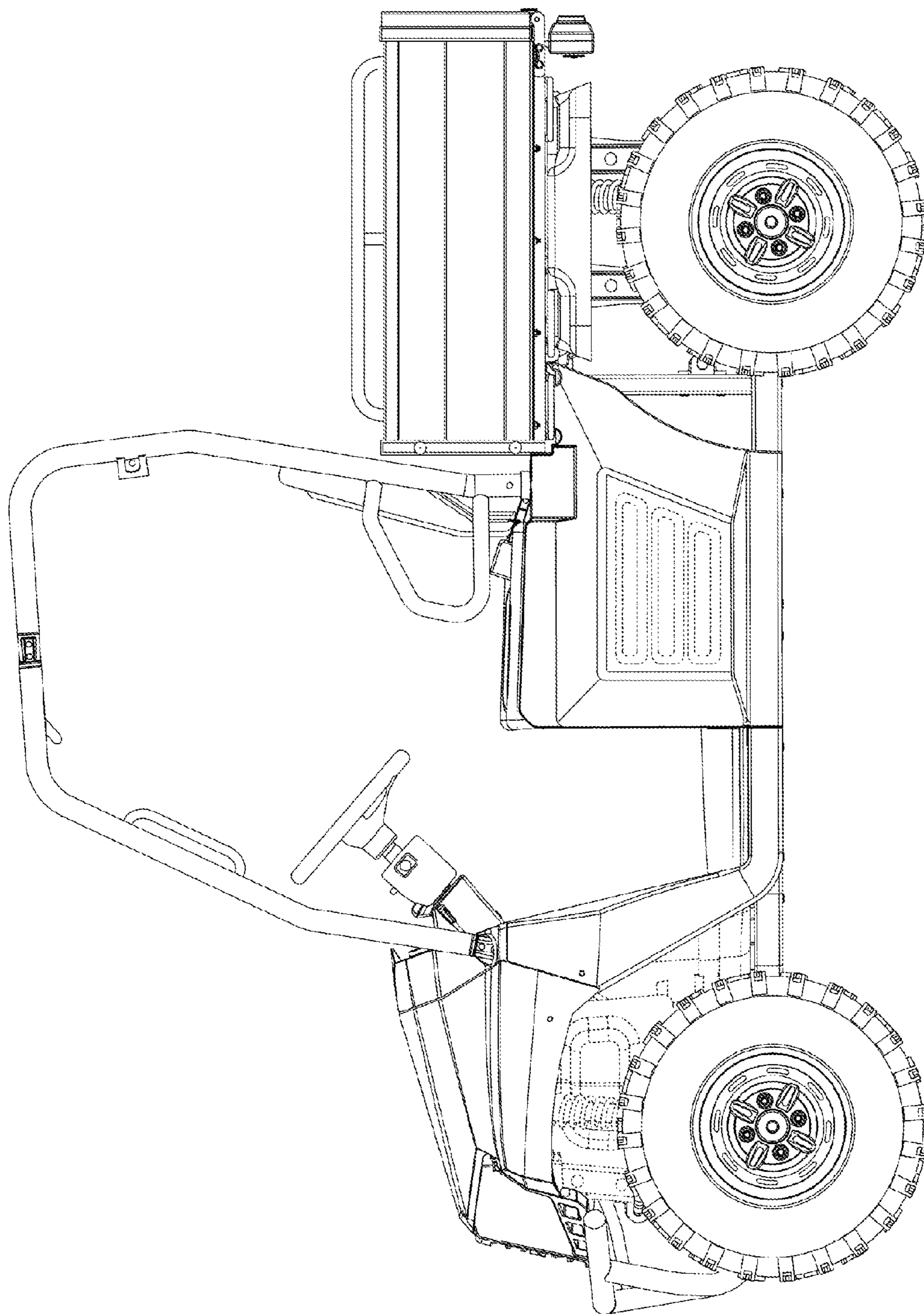


FIG. 2

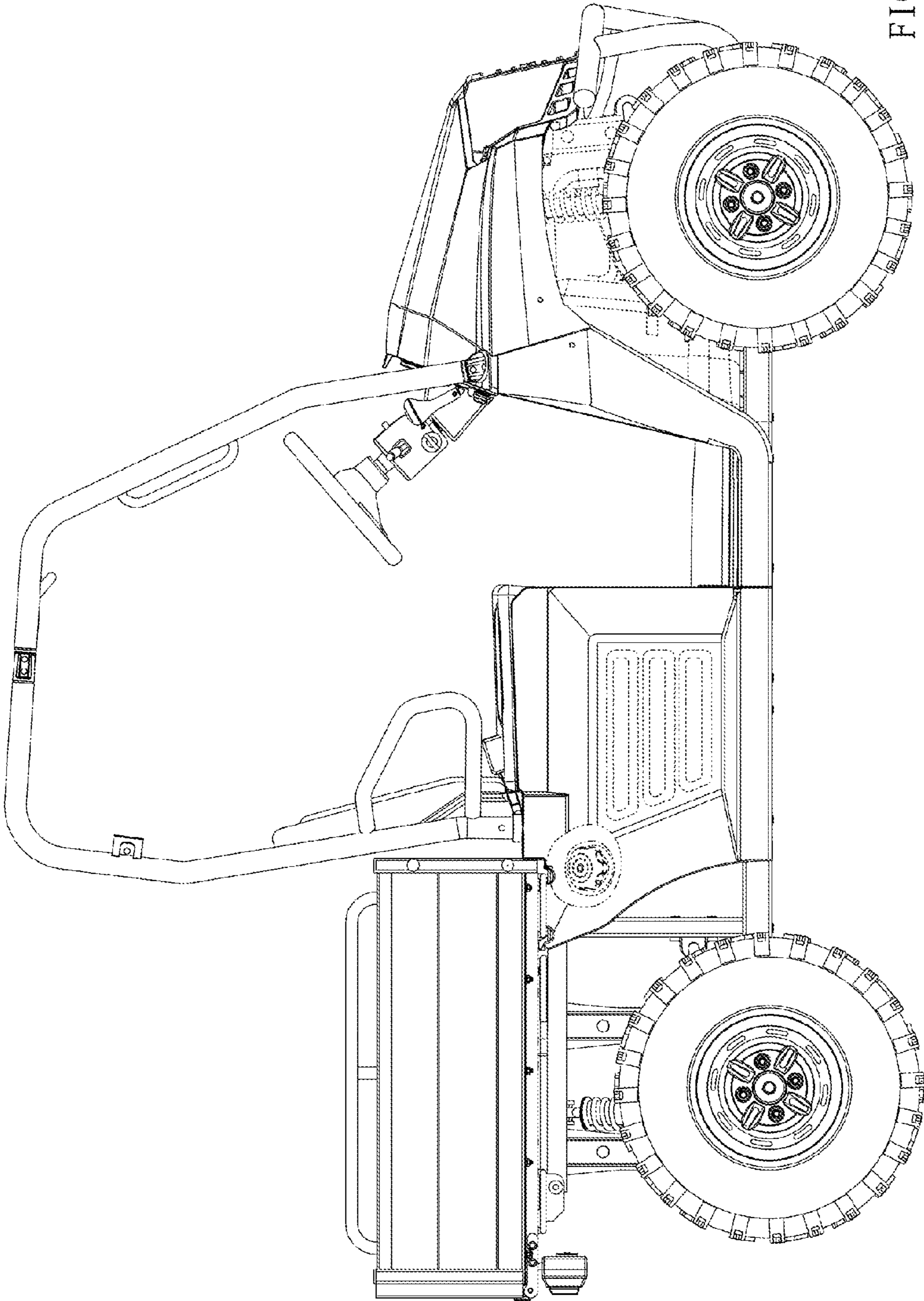


FIG. 3

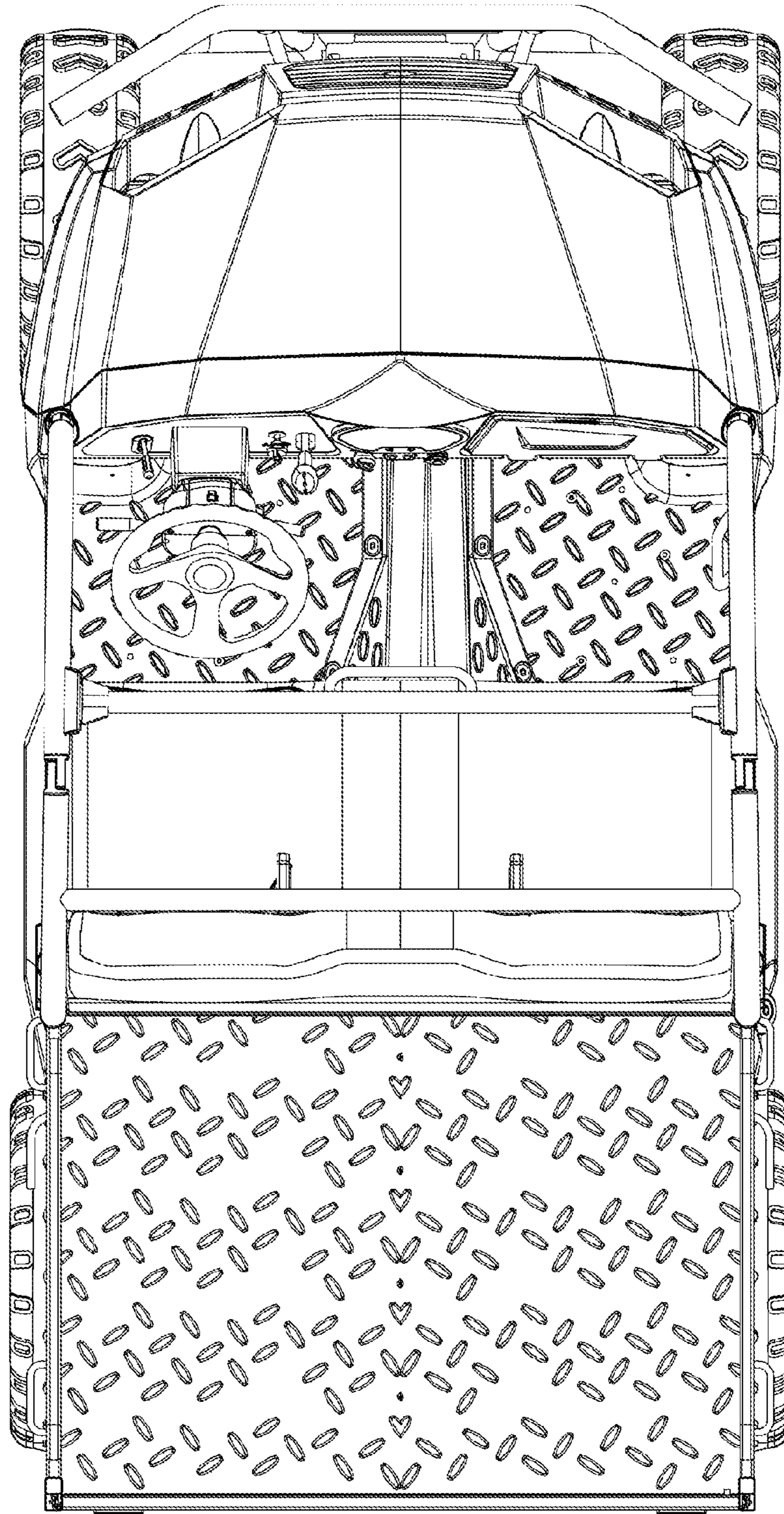


FIG. 4

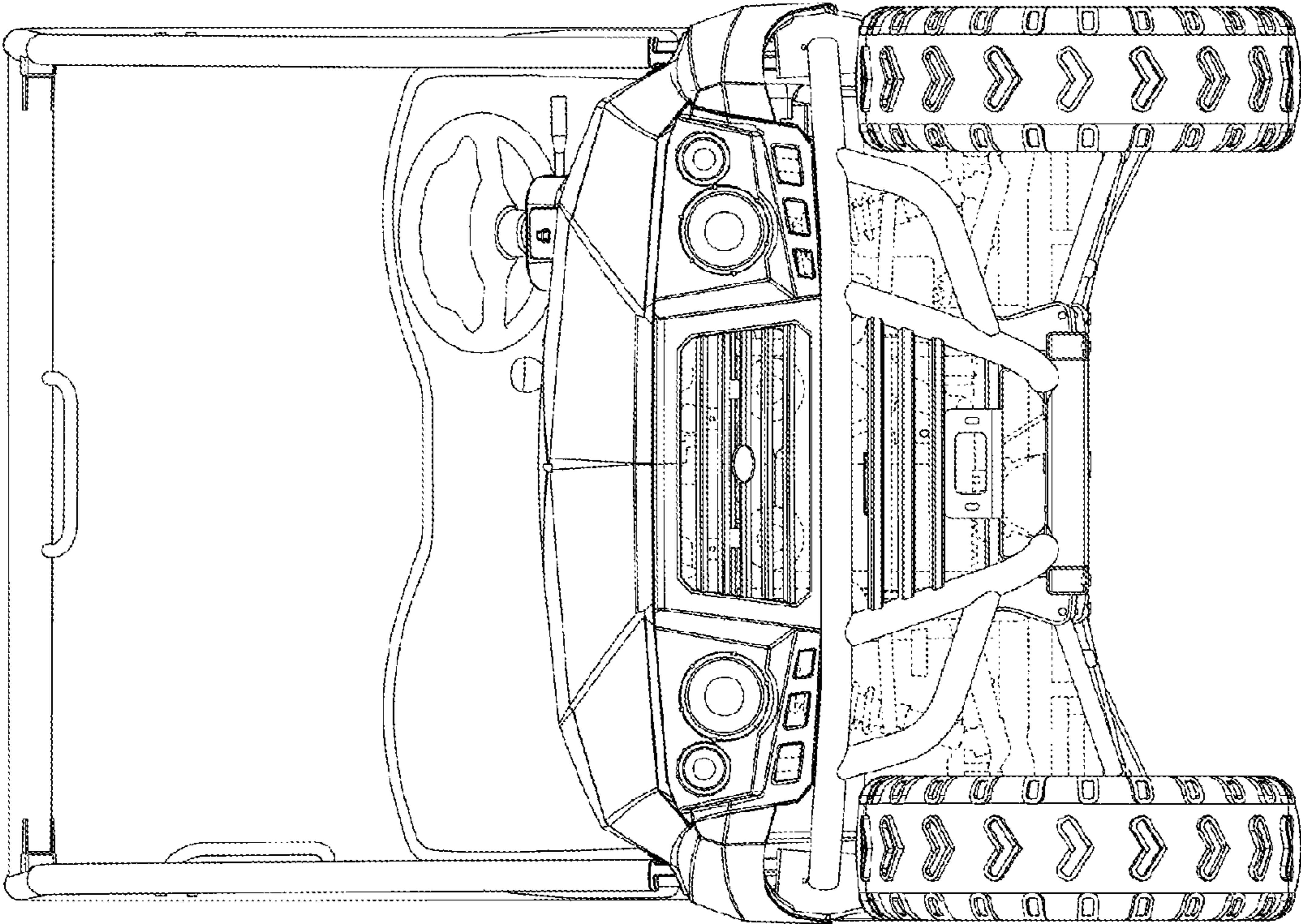


FIG. 5

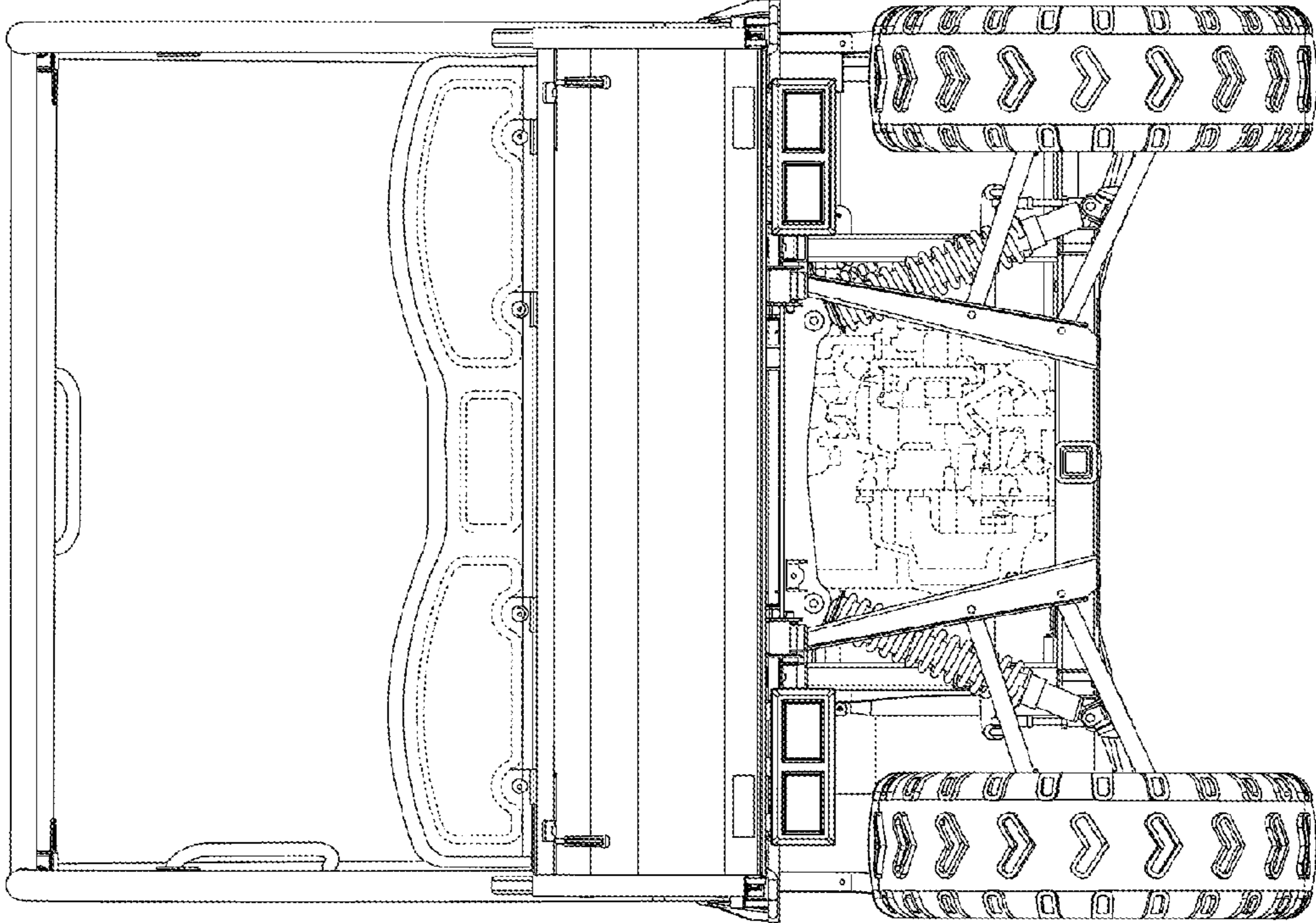


FIG. 6