



US00D682736S

(12) **United States Design Patent**
Ng

(10) **Patent No.:** **US D682,736 S**

(45) **Date of Patent:** **** May 21, 2013**

- (54) **BUCKLE**
- (71) Applicant: **Deckers Outdoor Corporation**, Goleta, CA (US)
- (72) Inventor: **Natalie Ng**, Goleta, CA (US)
- (73) Assignee: **Deckers Outdoor Corporation**, Goleta, CA (US)

D480,989 S	10/2003	Modolo	
D523,377 S *	6/2006	Mouquet	D11/234
D525,907 S *	8/2006	Mouquet	D11/234
D536,281 S	2/2007	Mouquet	
7,181,808 B1 *	2/2007	Van Winkle	24/191
D543,488 S *	5/2007	Tobergte	D11/234
D571,550 S *	6/2008	Valle	D2/976
D579,820 S *	11/2008	Brown	D11/231
7,617,801 B2 *	11/2009	Wang	119/863
D619,928 S *	7/2010	Bodino et al.	D11/231
D637,519 S *	5/2011	Coffman	D11/234

(**) Term: **14 Years**

* cited by examiner

(21) Appl. No.: **29/435,985**

Primary Examiner — T. Chase Nelson

Assistant Examiner — Mark Cavanna

(22) Filed: **Oct. 31, 2012**

(74) *Attorney, Agent, or Firm* — Greer, Burns & Crain, Ltd.

(51) **LOC (9) Cl.** **02-07**

(52) **U.S. Cl.**
USPC **D11/234**

(57) **CLAIM**

The ornamental design for a buckle, as shown and described.

(58) **Field of Classification Search** D11/200–237;
D2/625–629, 976; 24/614, 625, 650, 199–200,
24/170, 30.5 R, 191; 224/163; 119/863
See application file for complete search history.

DESCRIPTION

FIG. 1 is a top perspective view of a buckle showing my new design;

FIG. 2 is a top plan view thereof;

FIG. 3 is a side elevational view thereof, the opposite side being a mirror image;

FIG. 4 is a rear elevational view thereof;

FIG. 5 is a front elevational view thereof; and,

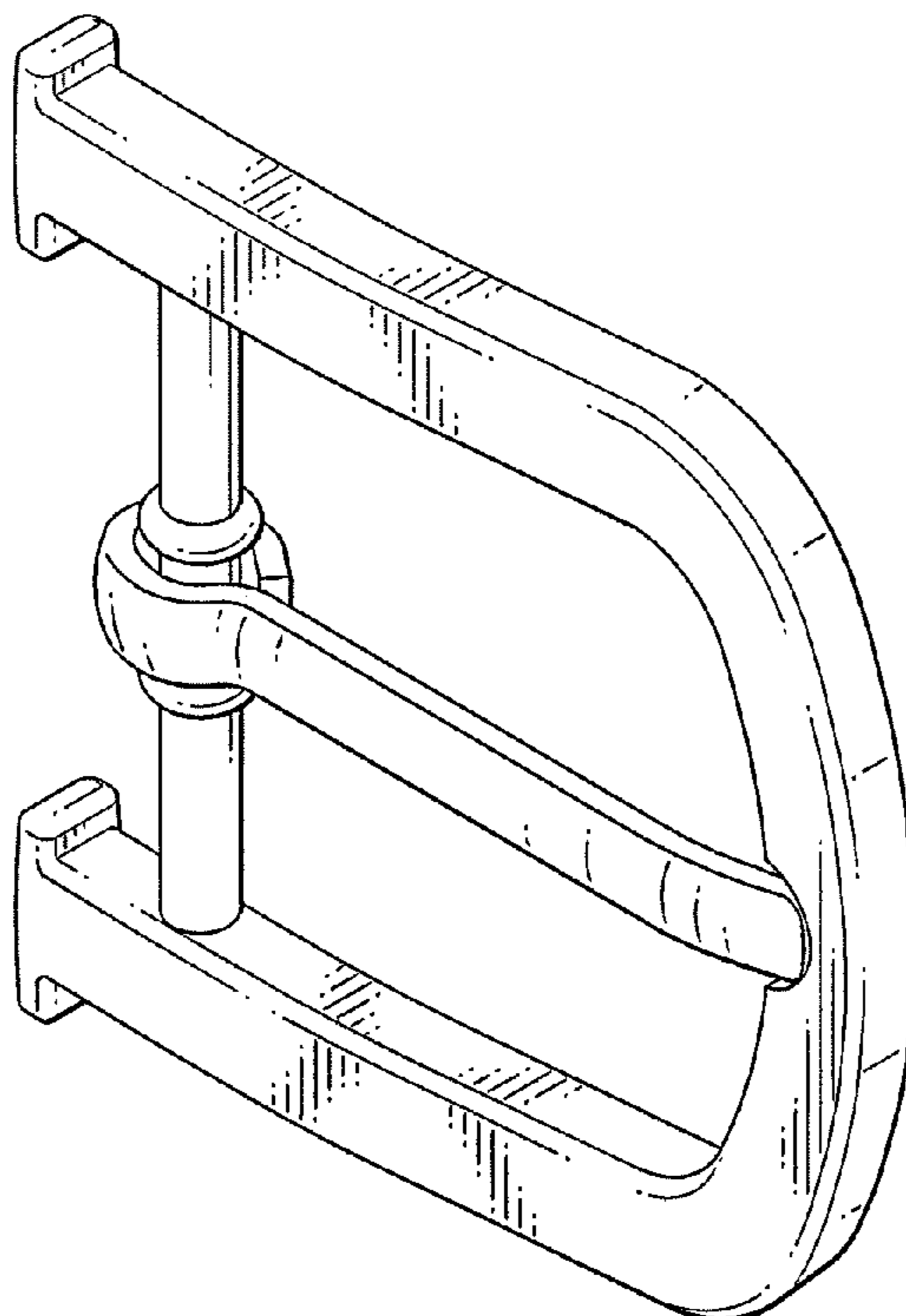
FIG. 6 is a bottom plan view thereof.

(56) **References Cited**

U.S. PATENT DOCUMENTS

D28,505 S	4/1898	Noble	
D173,125 S	9/1954	Odenchrants	
D173,965 S	2/1955	Odenchrants	
D213,086 S	1/1969	Aigner	
D479,812 S *	9/2003	Calvani	D11/234

1 Claim, 2 Drawing Sheets



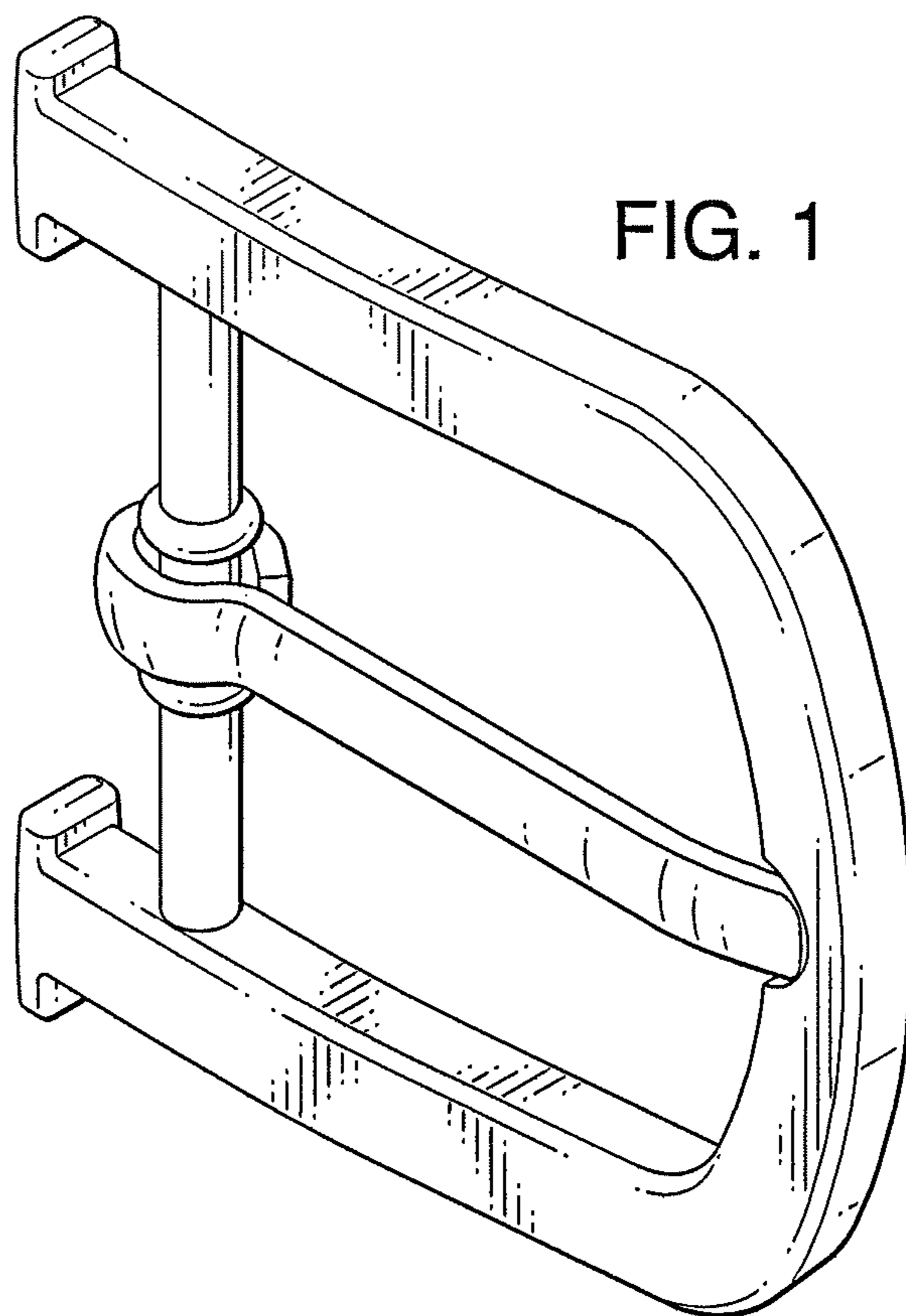


FIG. 1

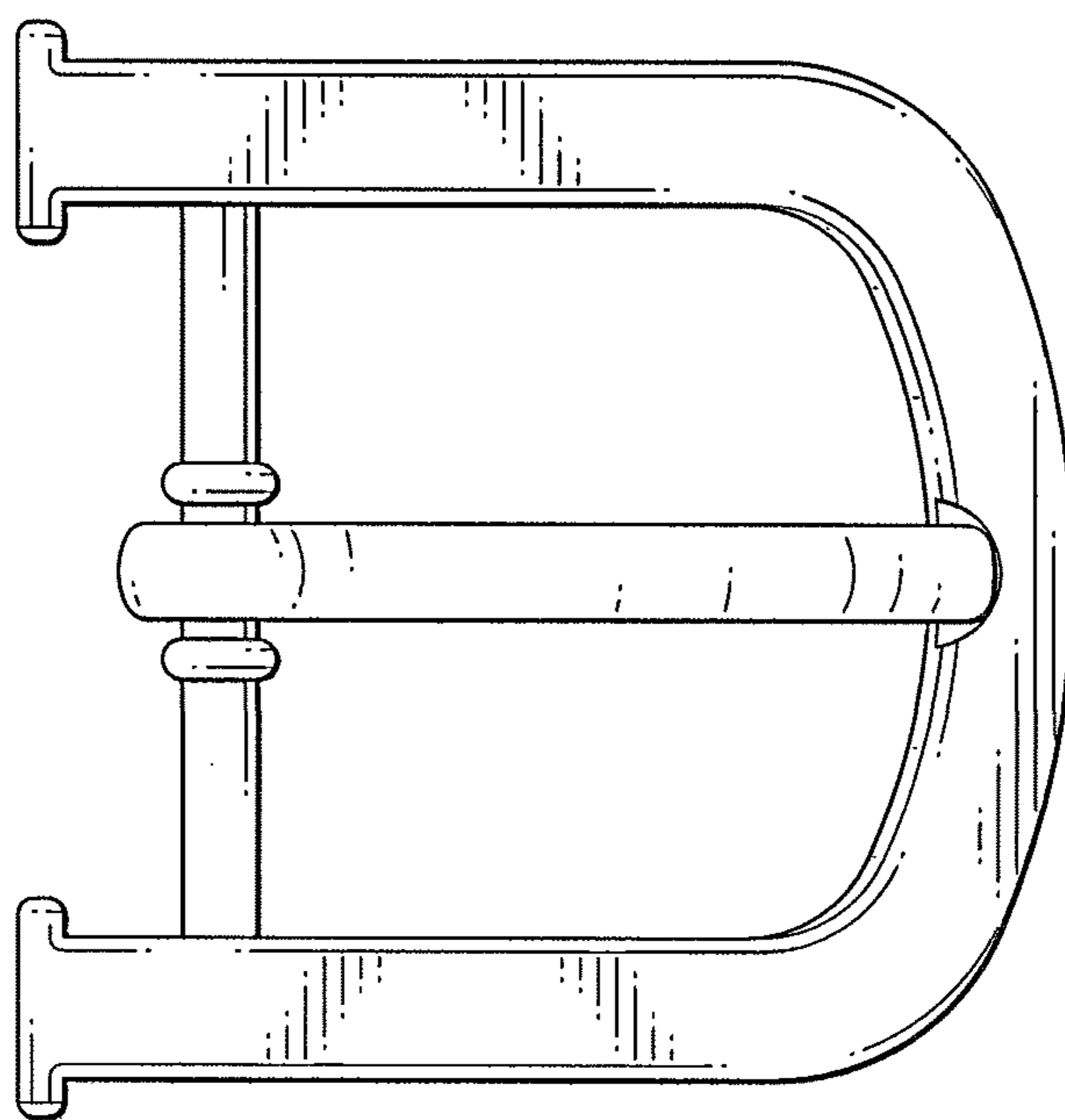


FIG. 2

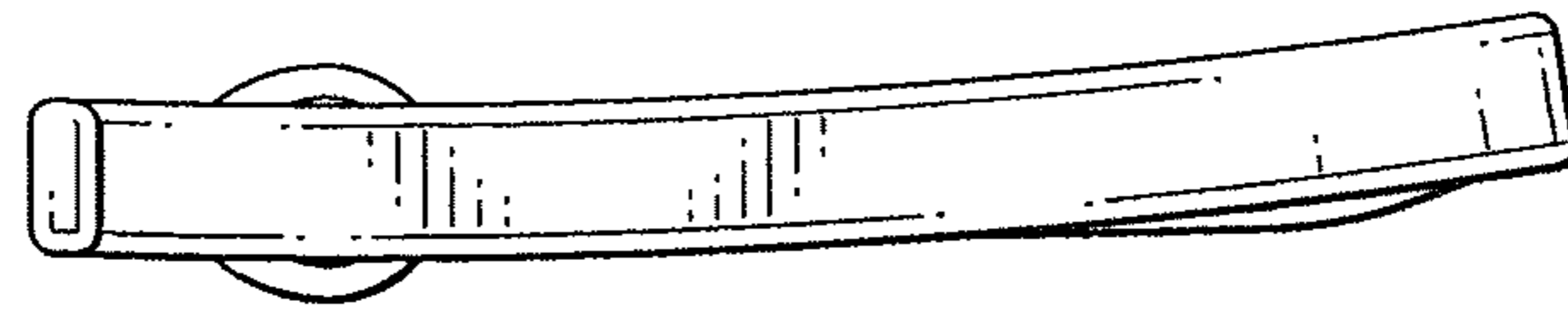


FIG. 3

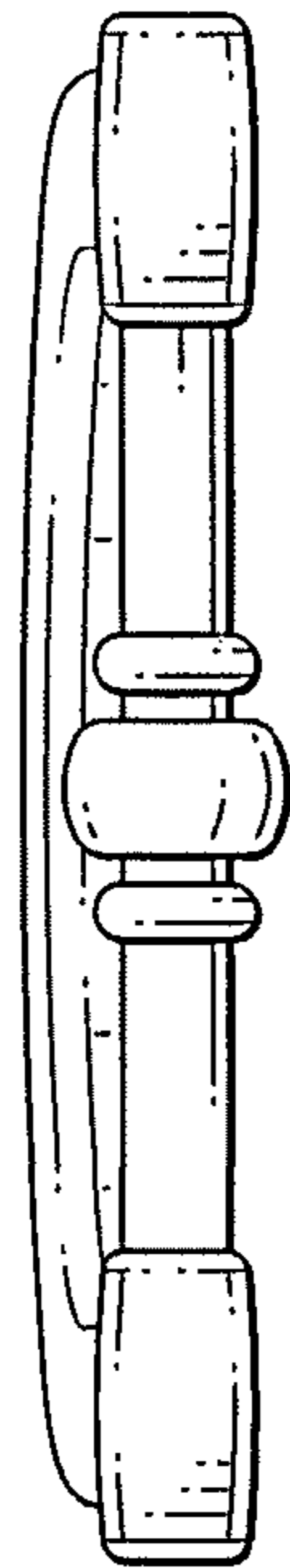


FIG. 4

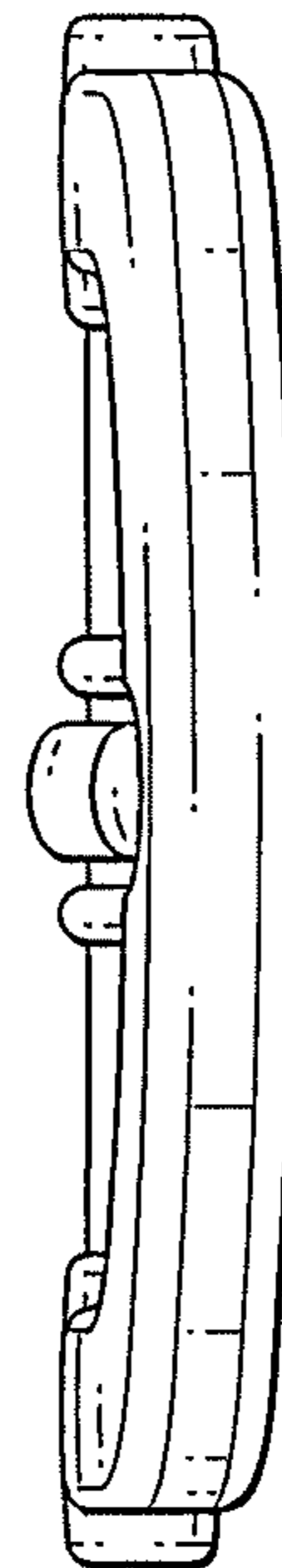


FIG. 5

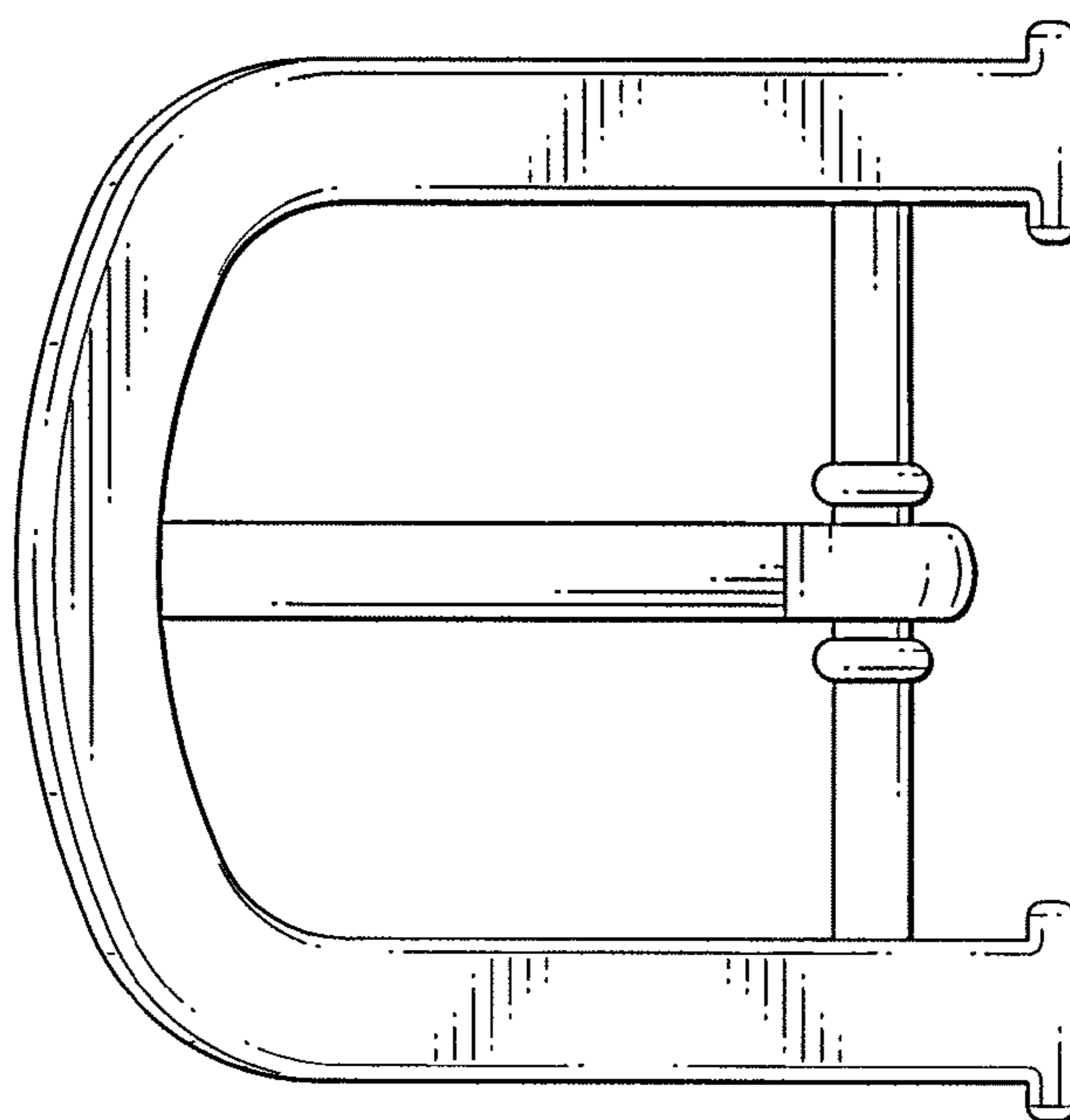


FIG. 6