



US00D682732S

(12) **United States Design Patent**
Dubow

(10) **Patent No.:** **US D682,732 S**

(45) **Date of Patent:** **** May 21, 2013**

(54) **WINDMILL CORK HOLDER**

(71) Applicant: **Epic Products, Inc.**, Santa Ana, CA (US)

(72) Inventor: **Ardeen Dubow**, Santa Ana, CA (US)

(73) Assignee: **Epic Products, Inc.**, Santa Ana, CA (US)

(**) Term: **14 Years**

(21) Appl. No.: **29/440,175**

(22) Filed: **Dec. 19, 2012**

(51) **LOC (9) Cl.** **11-02**

(52) **U.S. Cl.**
USPC **D11/157**

(58) **Field of Classification Search** D11/130,
D11/157, 164, 184; D7/560, 564, 563, 571,
D7/628, 604, 606, 625, 601; D9/681, 600;
D3/270, 271.1; 206/206

See application file for complete search history.

(56) **References Cited**

U.S. PATENT DOCUMENTS

D216,041 S *	11/1969	Luby	D26/95
D414,223 S *	9/1999	Lam	D21/510
D417,729 S *	12/1999	Chen	D23/367
D443,535 S *	6/2001	Tai	D10/59
D458,185 S *	6/2002	Harklau	D11/157
D477,089 S *	7/2003	Tsai	D25/1

D496,735 S *	9/2004	Hazlett, Jr.	D25/1
D505,471 S *	5/2005	Caramico	D21/789
D546,194 S *	7/2007	Silberfenig et al.	D9/639
D591,234 S *	4/2009	Unno	D13/115
D617,611 S *	6/2010	DuBow	D7/628
D617,612 S *	6/2010	DuBow	D7/628
D626,325 S *	11/2010	DuBow	D3/202
D639,159 S *	6/2011	Dubow	D9/439
D672,684 S *	12/2012	Dubow	D11/157
D674,317 S *	1/2013	Dubow	D11/157

* cited by examiner

Primary Examiner — T. Chase Nelson

Assistant Examiner — Michelle E Wilson

(74) *Attorney, Agent, or Firm* — Nath, Goldberg & Meyer;
Jerald L. Meyer; Scott C. Langford

(57) **CLAIM**

The ornamental design for a windmill cork holder, as shown and described.

DESCRIPTION

FIG. 1 is a front, right side and top perspective view of a windmill cork holder showing my new design;

FIG. 2 is a back, bottom and left side perspective view thereof;

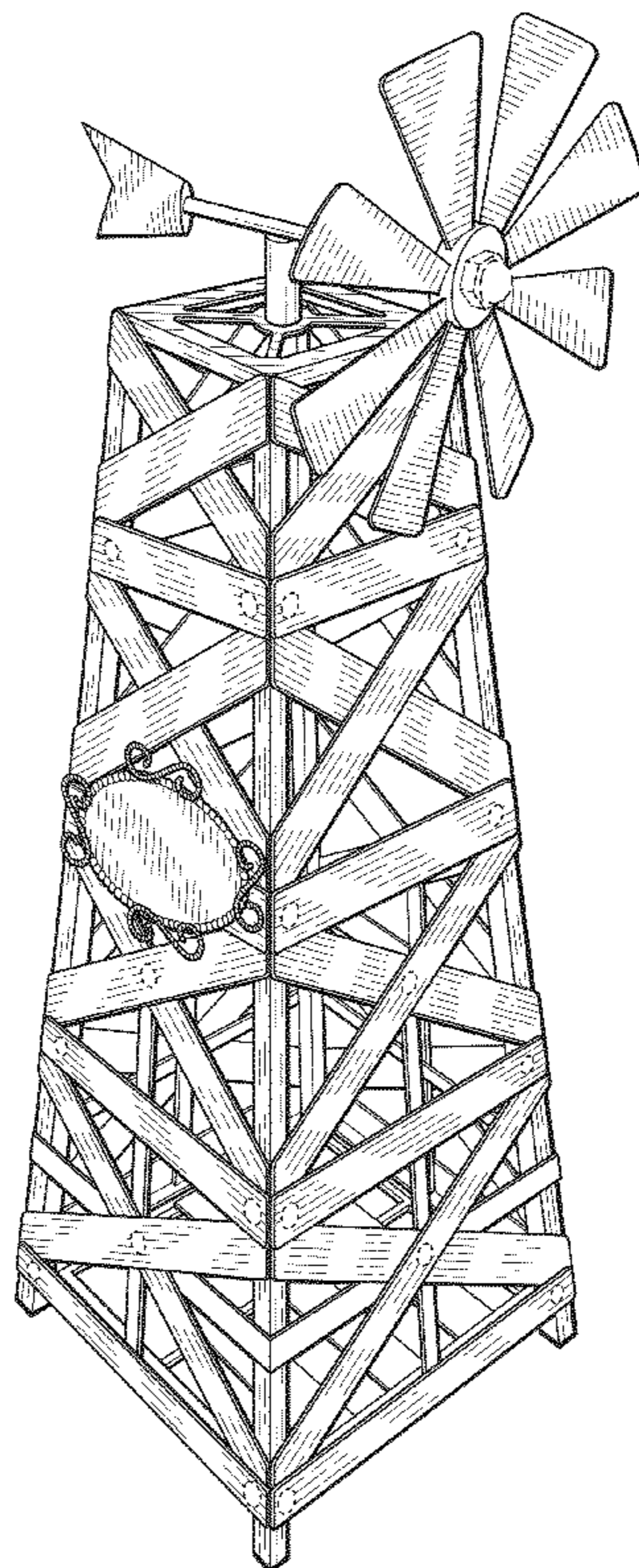
FIG. 3 is a right side view thereof;

FIG. 4 is a front view thereof; and,

FIG. 5 is a back view thereof.

The broken lines define the bounds of the claimed design and form no part thereof.

1 Claim, 5 Drawing Sheets



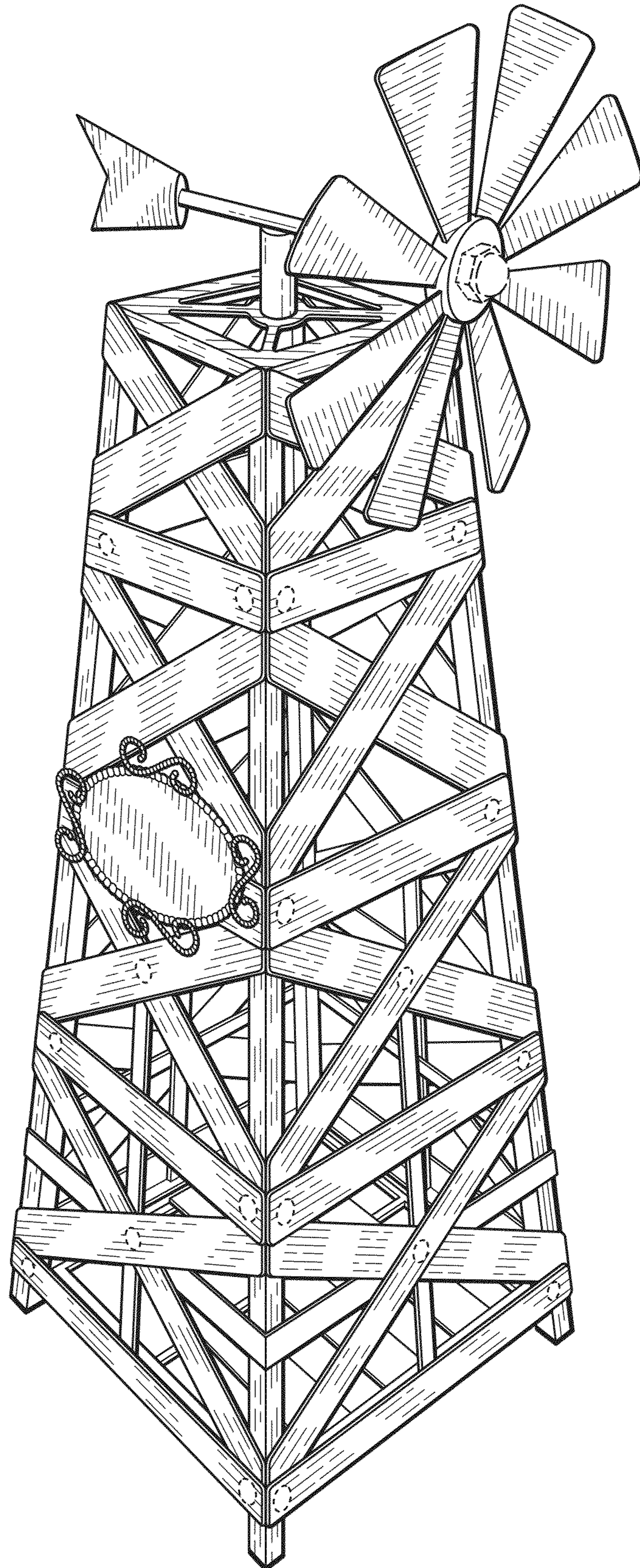


FIG. 1

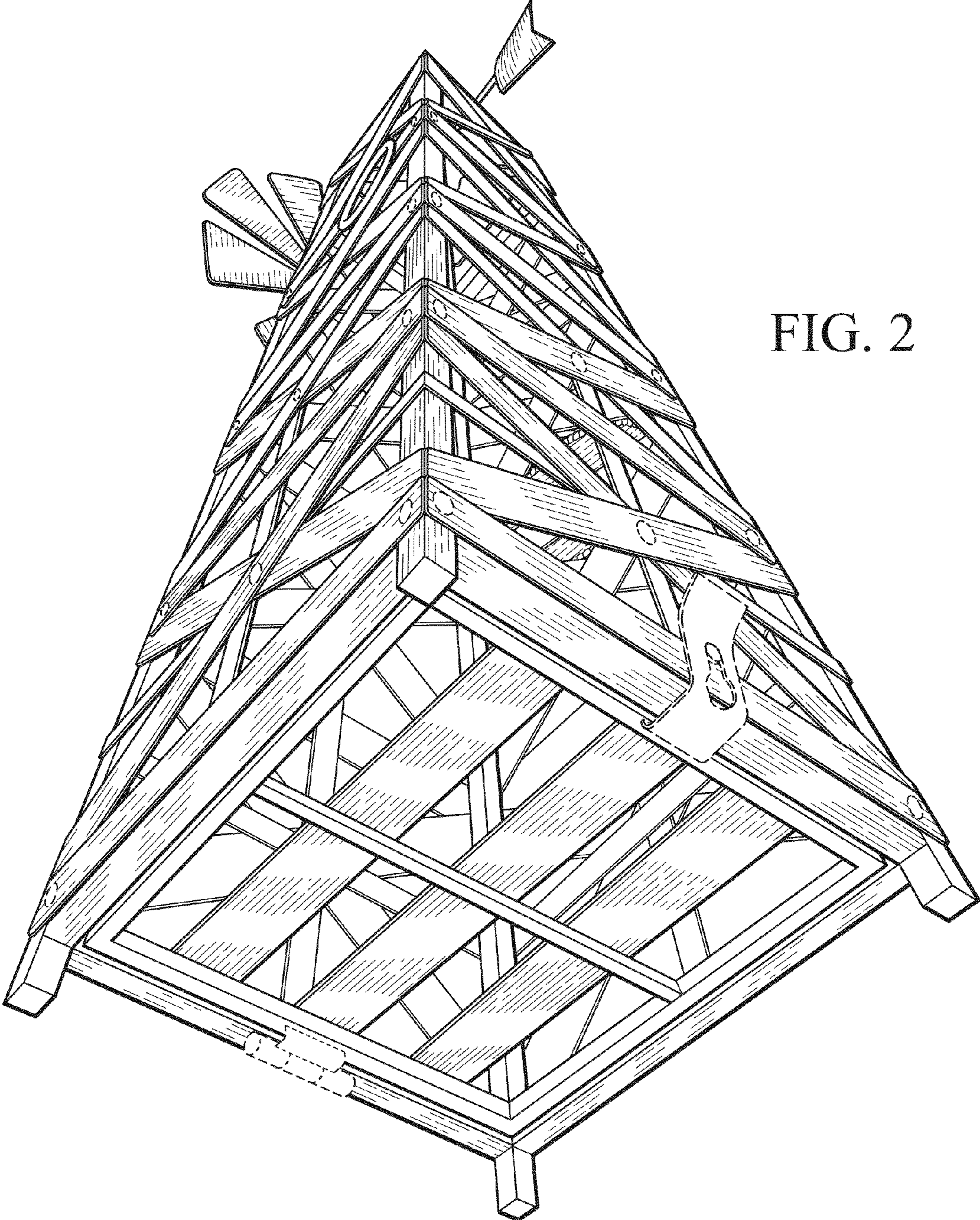


FIG. 2

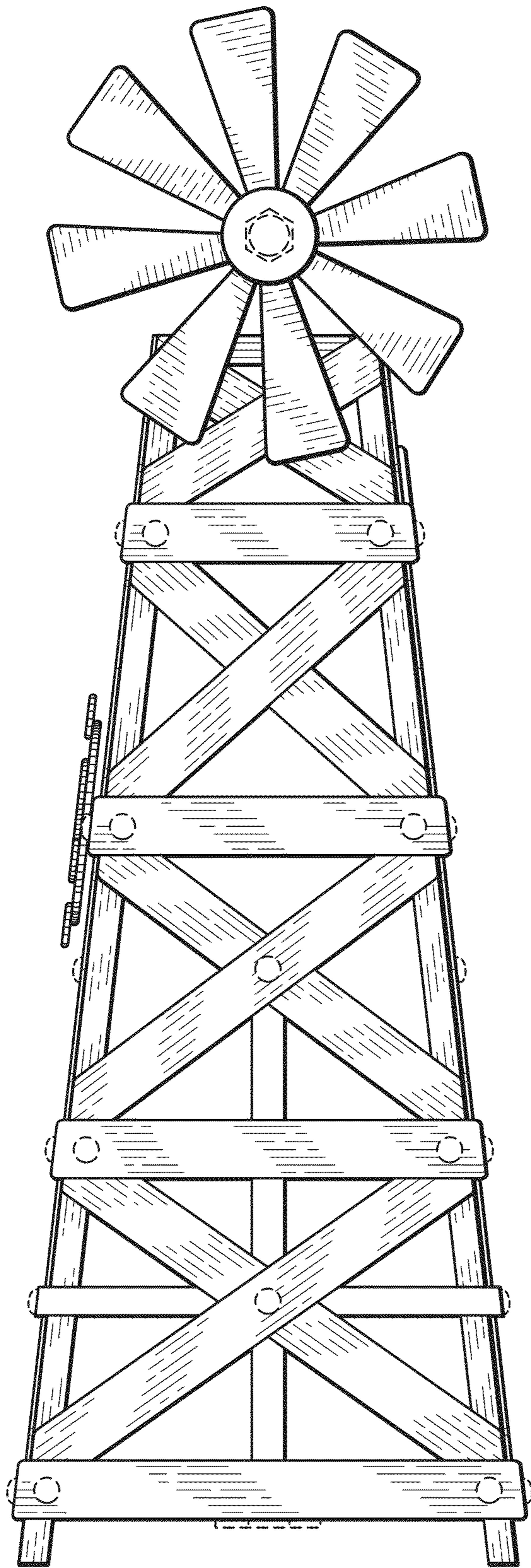


FIG. 3

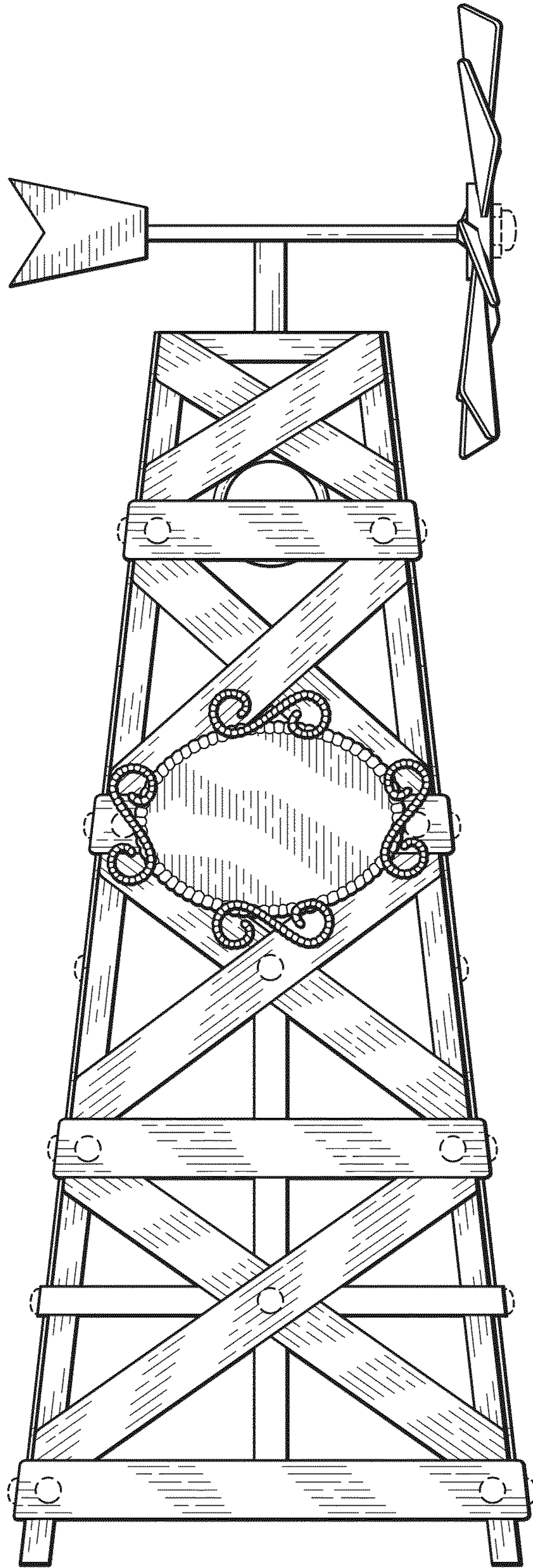


FIG. 4

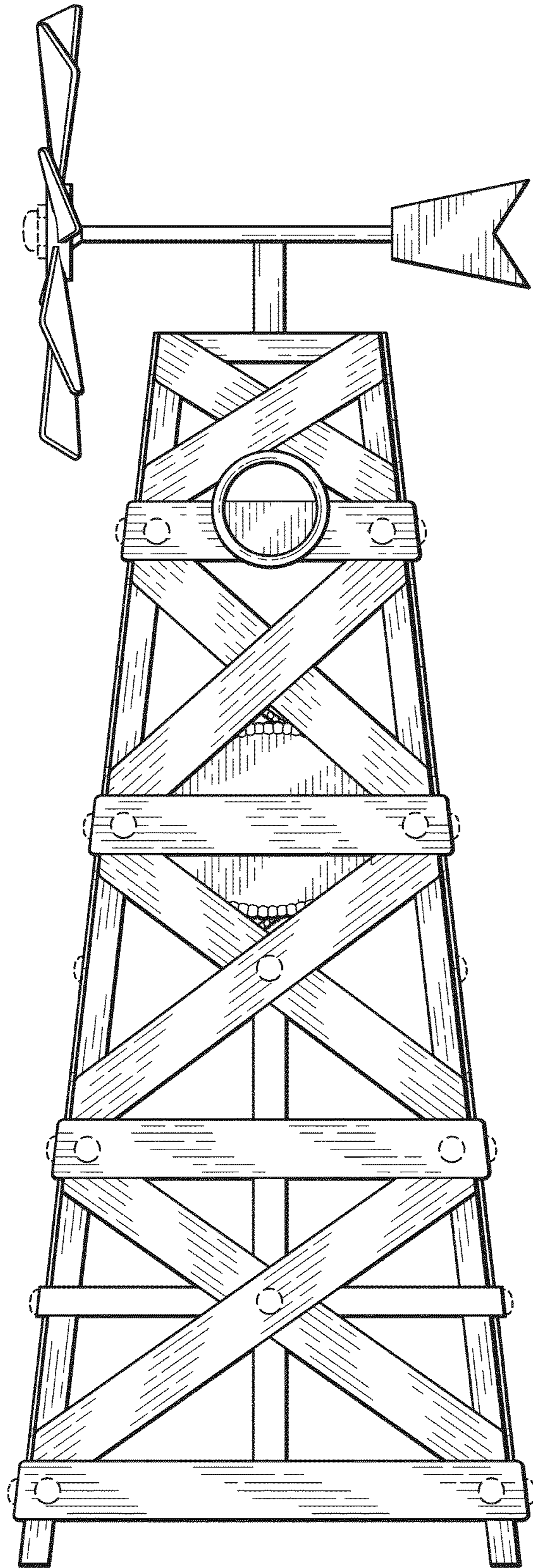


FIG. 5