



US00D682719S

(12) **United States Design Patent**
Granstrand

(10) **Patent No.:** **US D682,719 S**

(45) **Date of Patent:** **** May 21, 2013**

(54) **WATER METER**

(76) **Inventor:** **Oskar Lo Granstrand**, Stockholm (SE)

(**) **Term:** **14 Years**

(21) **Appl. No.:** **29/430,040**

(22) **Filed:** **Aug. 21, 2012**

(51) **LOC (9) Cl.** **10-04**

(52) **U.S. Cl.**

USPC **D10/99**

(58) **Field of Classification Search**

USPC ... D10/96, 99; 73/195-203, 264, 272 R-274,
73/276, 861.33, 861.77, 861.75, 861.79,
73/293; 137/343, 551; 241/205, 208; 210/94;
222/27; 250/577; 702/45

See application file for complete search history.

(56) **References Cited**

U.S. PATENT DOCUMENTS

D573,318 S * 7/2008 Lamstein D10/99

* cited by examiner

Primary Examiner — Antoine D Davis

(57) **CLAIM**

The ornamental design for a water meter, as shown and described.

DESCRIPTION

FIG. 1 is a perspective view of a water meter showing my new design;

FIG. 2 is a side elevational view thereof;

FIG. 3 is a front elevational view thereof; and,

FIG. 4 is a top plan view thereof.

The broken lines in the drawings are shown for illustrative purposes only and form no part of the claimed design.

1 Claim, 2 Drawing Sheets

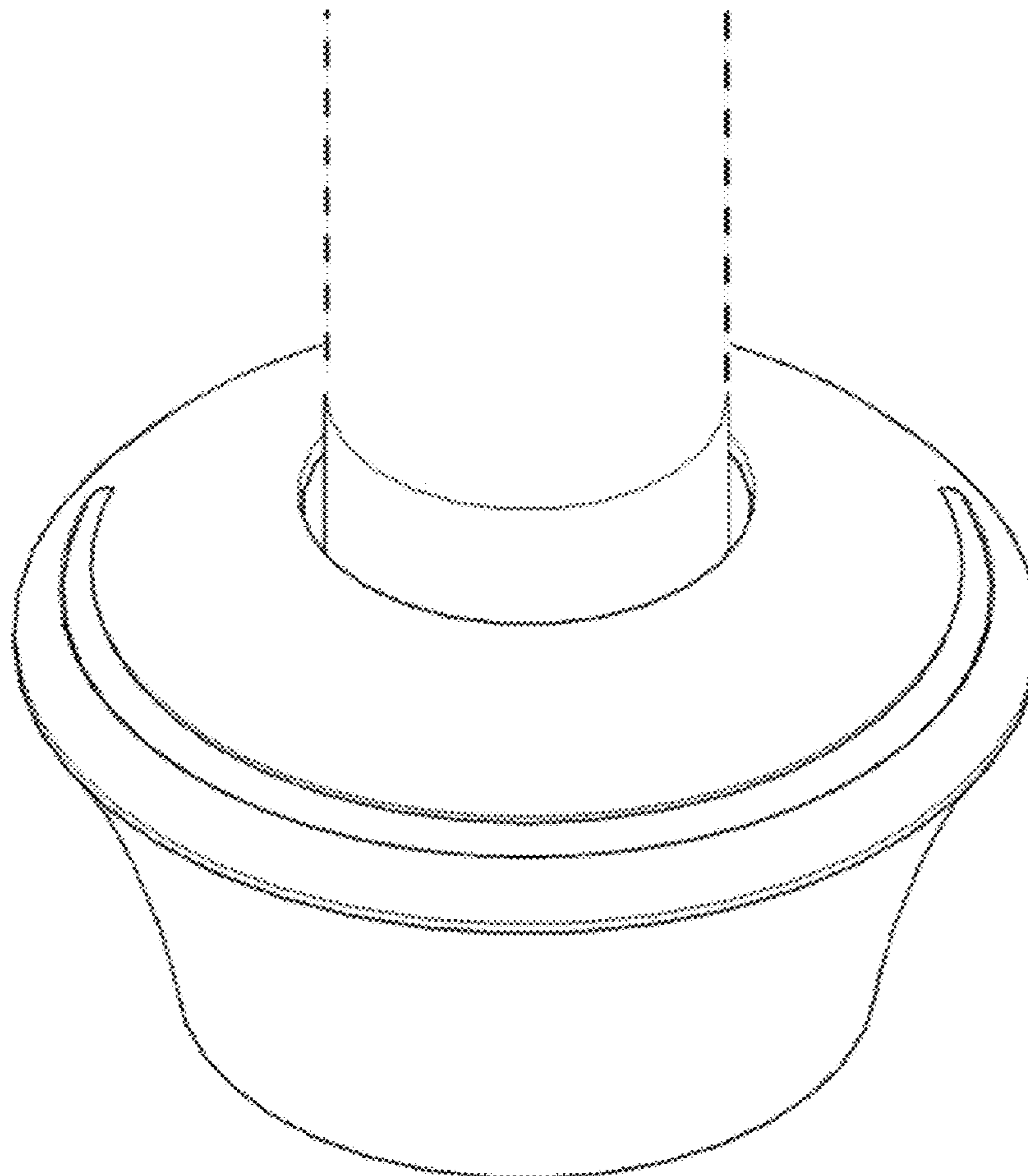


FIG. 1

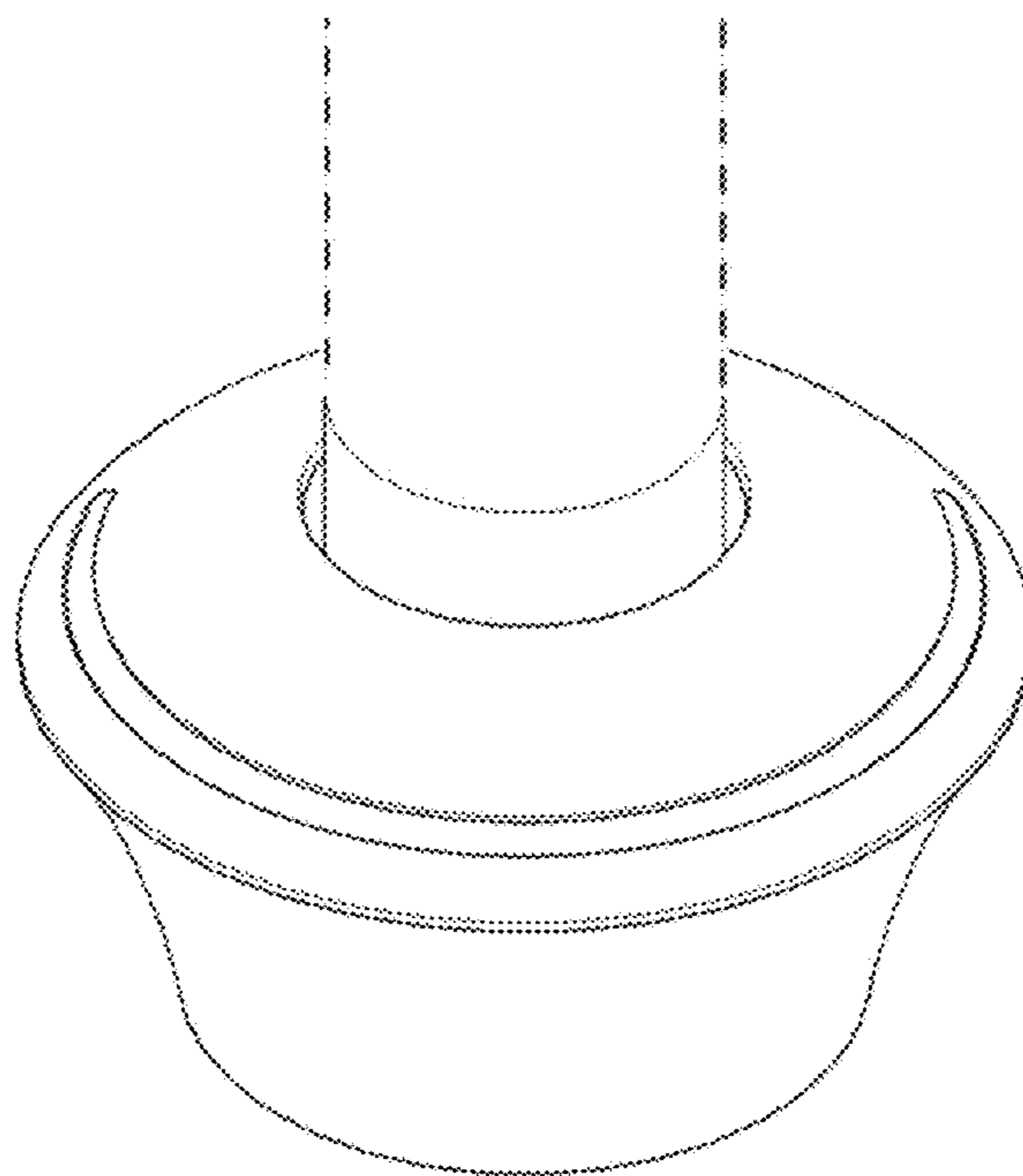


FIG. 2

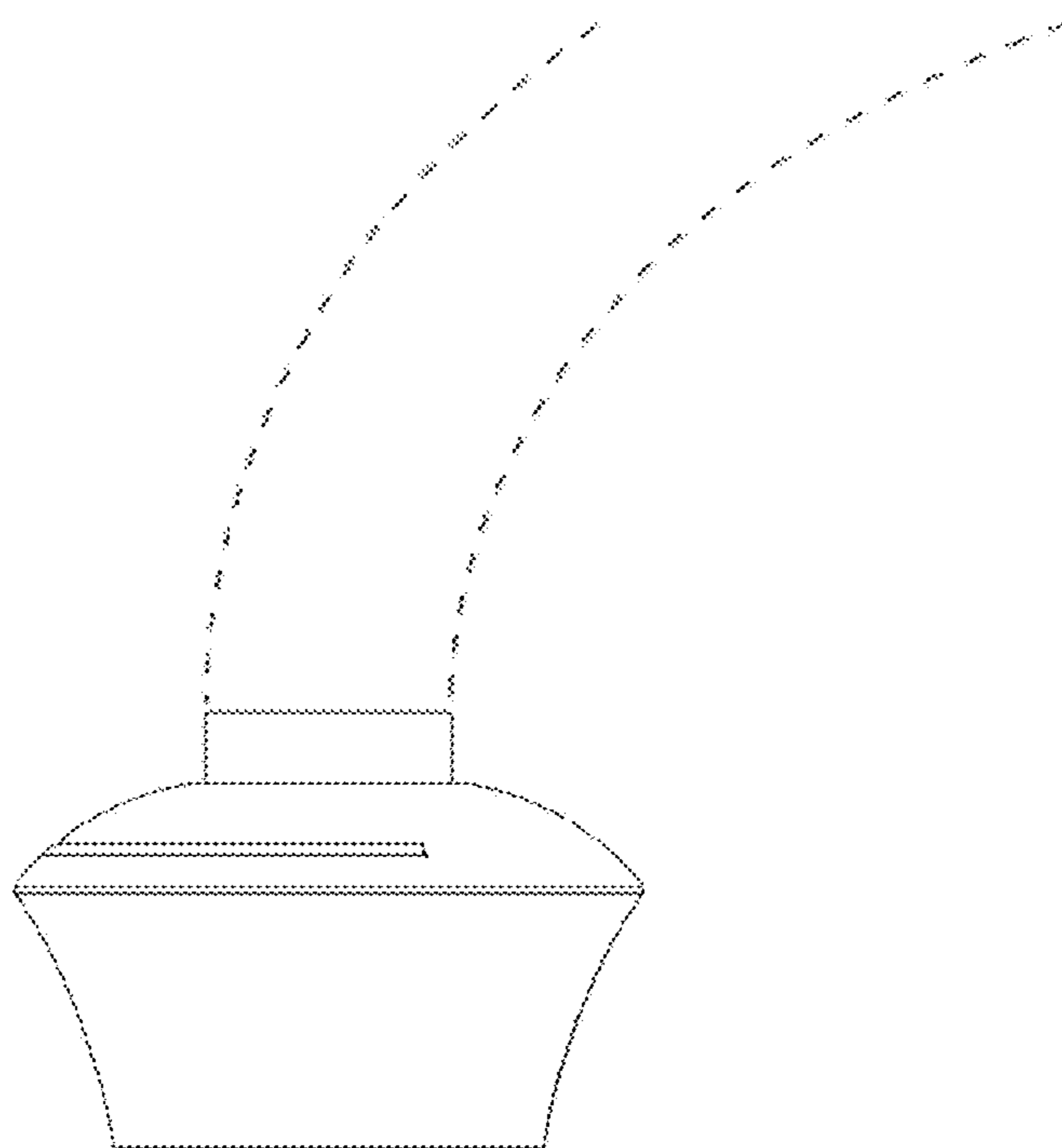


FIG. 3

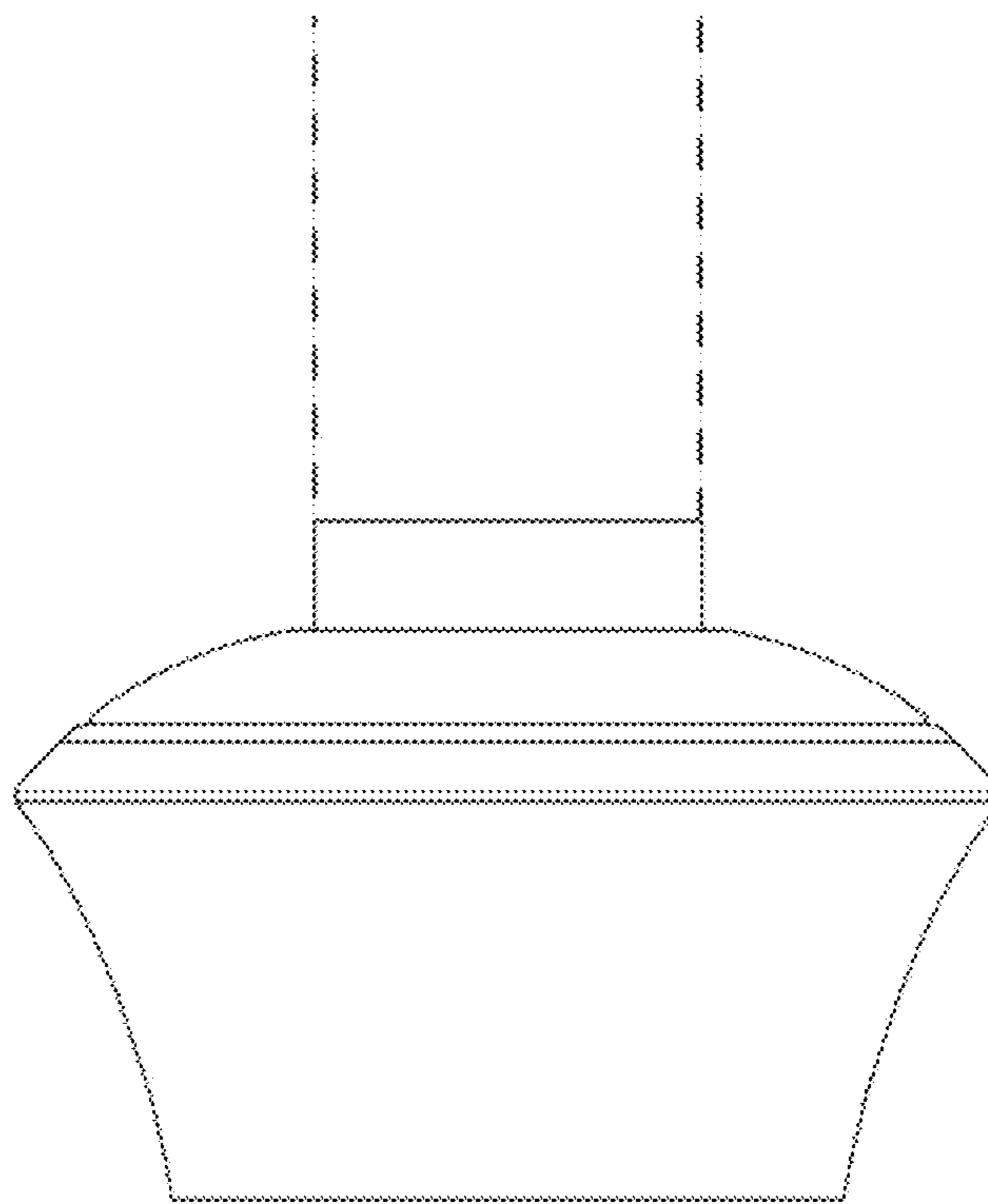


FIG. 4

