



US00D682717S

(12) **United States Design Patent**
Denman et al.

(10) **Patent No.:** **US D682,717 S**
(45) **Date of Patent:** **** May 21, 2013**

(54) **GYROSCOPE HOUSING**

(71) Applicant: **Kenyon Laboratories, LLC**, Higganum, CT (US)

(72) Inventors: **Ronald Denman**, Higganum, CT (US);
Peter Papathanasiou, Uncasville, CT (US)

(73) Assignee: **Kenyon Laboratories, LLC**, Higganum, CT (US)

(**) Term: **14 Years**

(21) Appl. No.: **29/435,256**

(22) Filed: **Oct. 22, 2012**

Related U.S. Application Data

(60) Division of application No. 29/422,425, filed on May 21, 2012, and a continuation of application No. 29/422,425.

(51) **LOC (9) Cl.** **10-04**

(52) **U.S. Cl.**
USPC **D10/66**

(58) **Field of Classification Search**
USPC D10/66; 33/276, 277, 281, 285, 286, 33/290-299, DIG. 21; 356/3, 3.01-3.16, 356/8, 9, 51, 345, 467; 29/121.63, 428, 469
See application file for complete search history.

(56) **References Cited**

U.S. PATENT DOCUMENTS

4,801,206 A *	1/1989	Benoist	356/459
D317,132 S *	5/1991	Knipfer et al.	D10/66
5,786,895 A *	7/1998	Mitchell et al.	356/467
6,931,711 B2 *	8/2005	Ecklund et al.	29/469

* cited by examiner

Primary Examiner — Antoine D Davis

(74) *Attorney, Agent, or Firm* — Steven M. McHugh

(57) **CLAIM**

The ornamental design for a gyroscope housing, as shown.

DESCRIPTION

FIG. 1 is an isometric left-front side view of a gyroscope housing, in accordance with one embodiment of the present invention.

FIG. 2 is a front view of the gyroscope housing of FIG. 1.

FIG. 3 is a rear view of the gyroscope housing of FIG. 1.

FIG. 4 is a left side view of the gyroscope housing of FIG. 1.

FIG. 5 is a right side view of the gyroscope housing of FIG. 1.

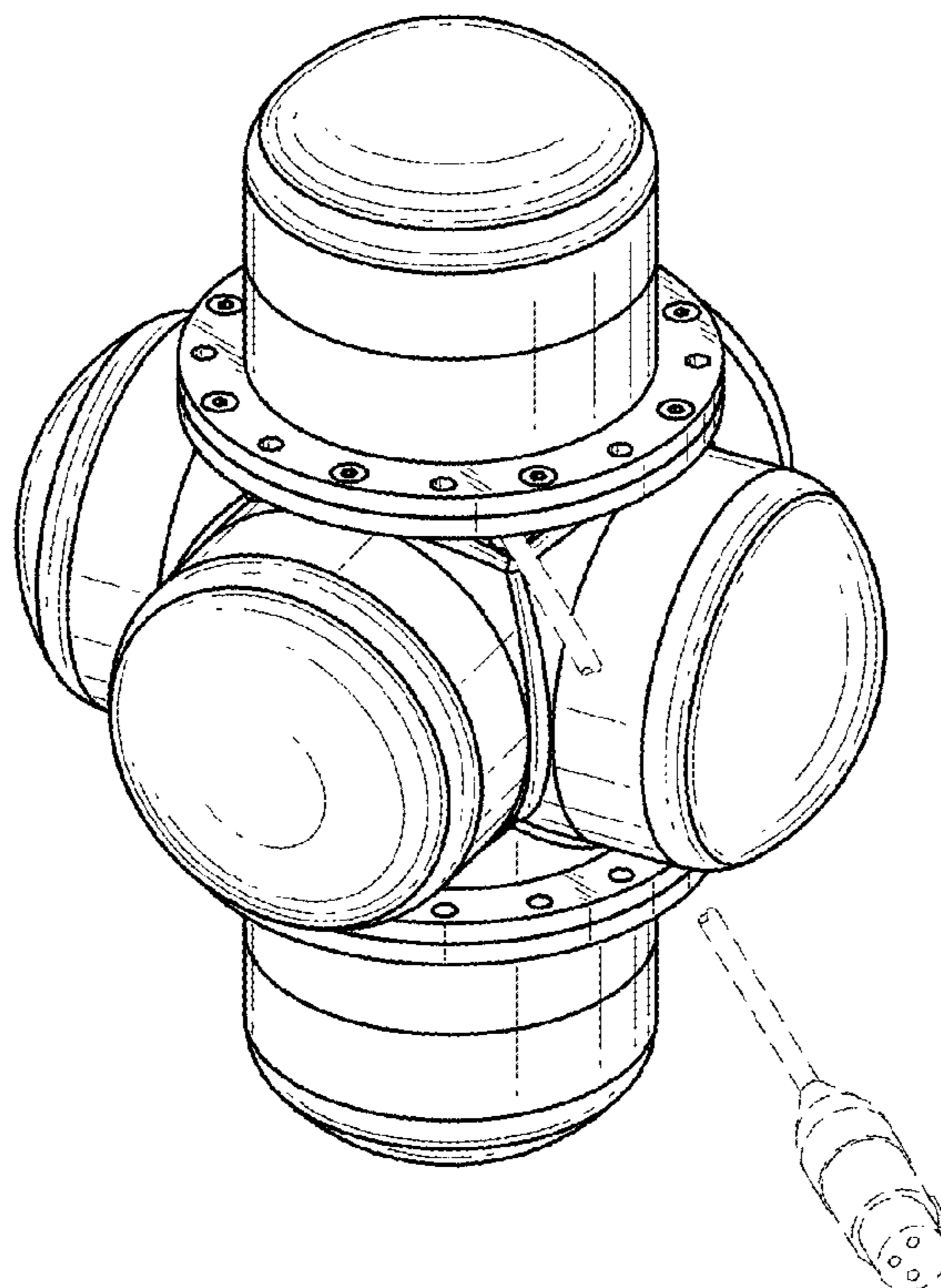
FIG. 6 is a top down view of the gyroscope housing of FIG. 1;

and,

FIG. 7 is a bottom up view of the gyroscope housing of FIG. 1.

The portions shown in broken lines are for illustrative purposes only and form no part of the claimed design.

1 Claim, 4 Drawing Sheets



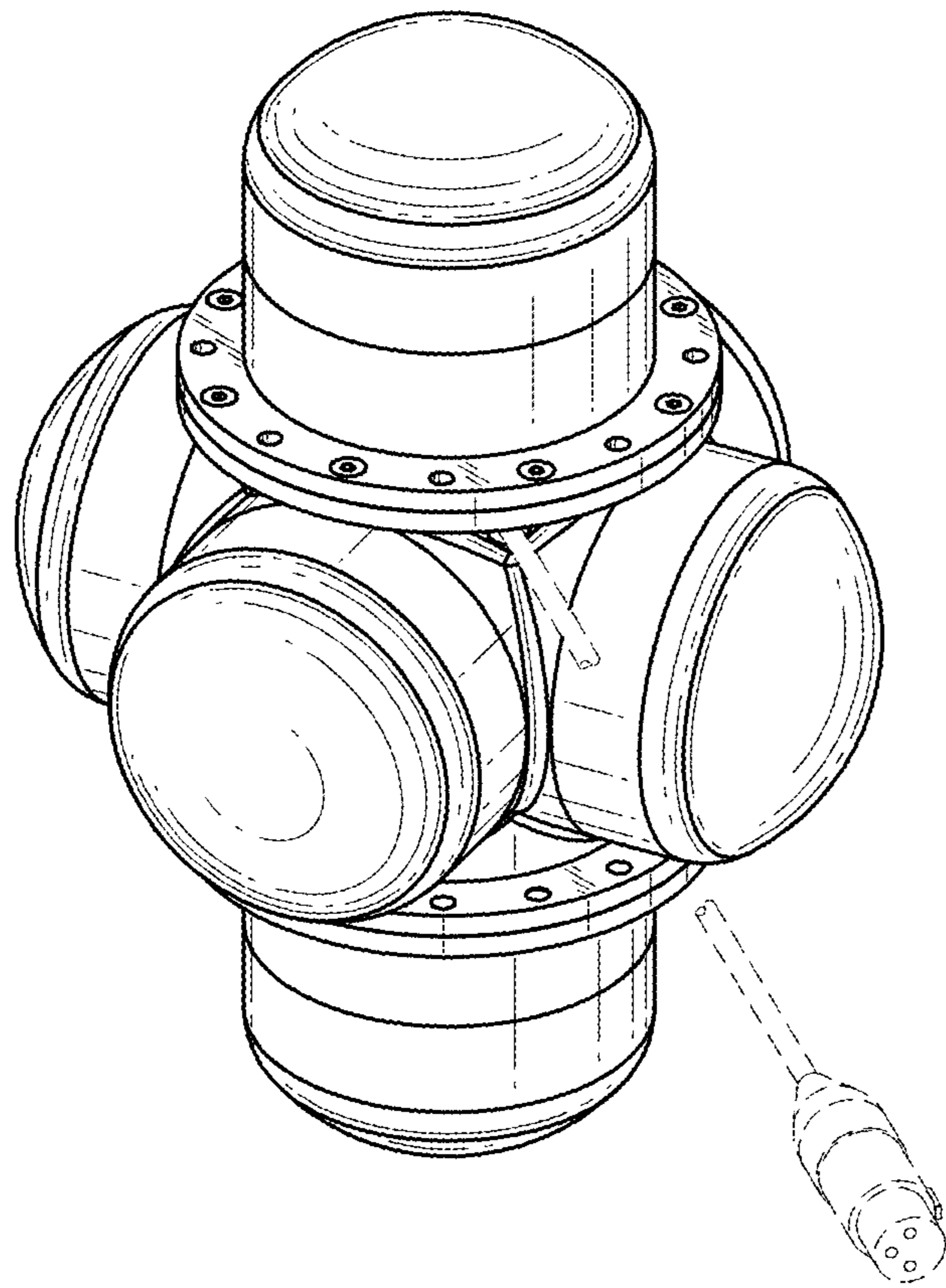


FIG. 1

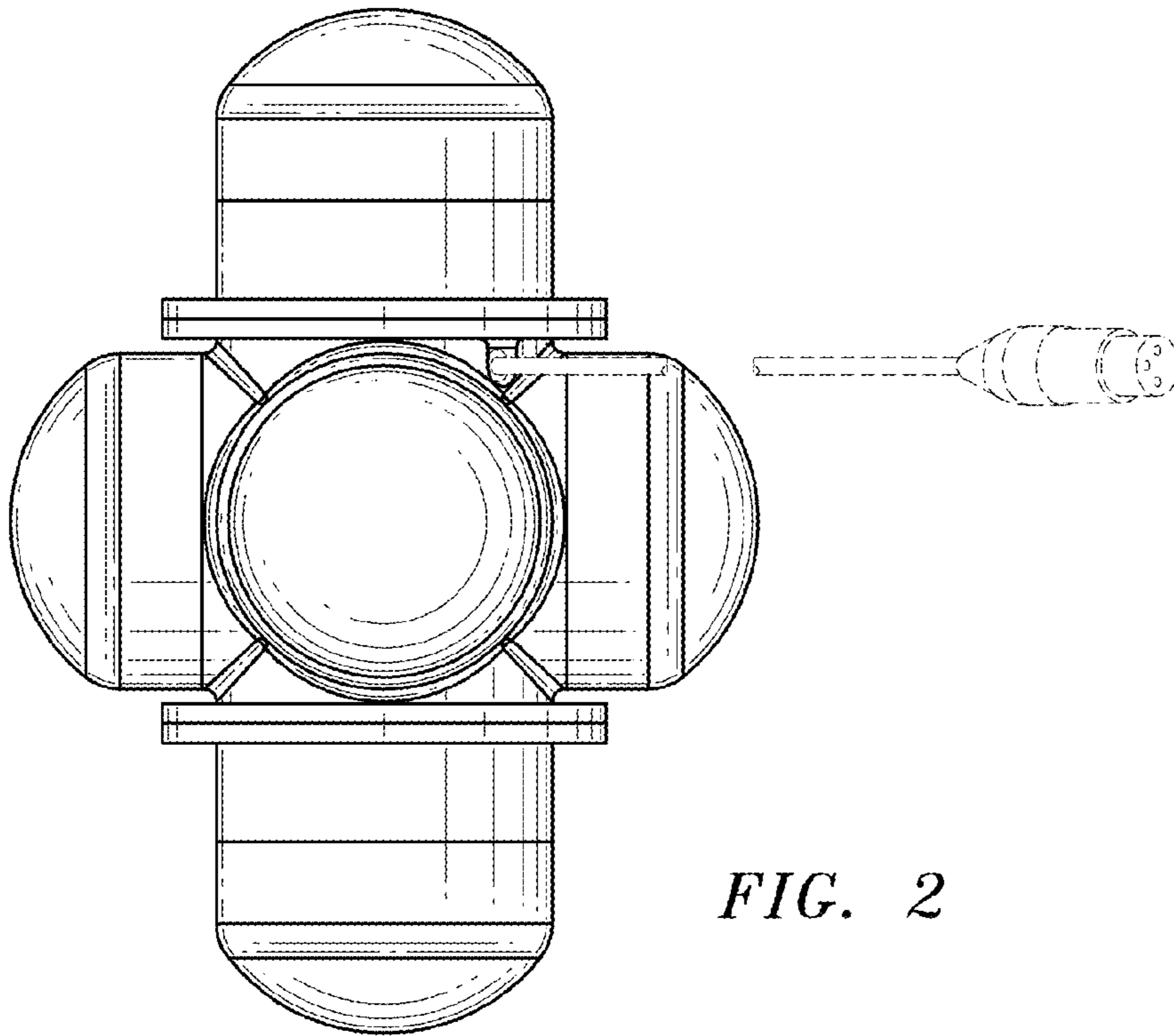


FIG. 2

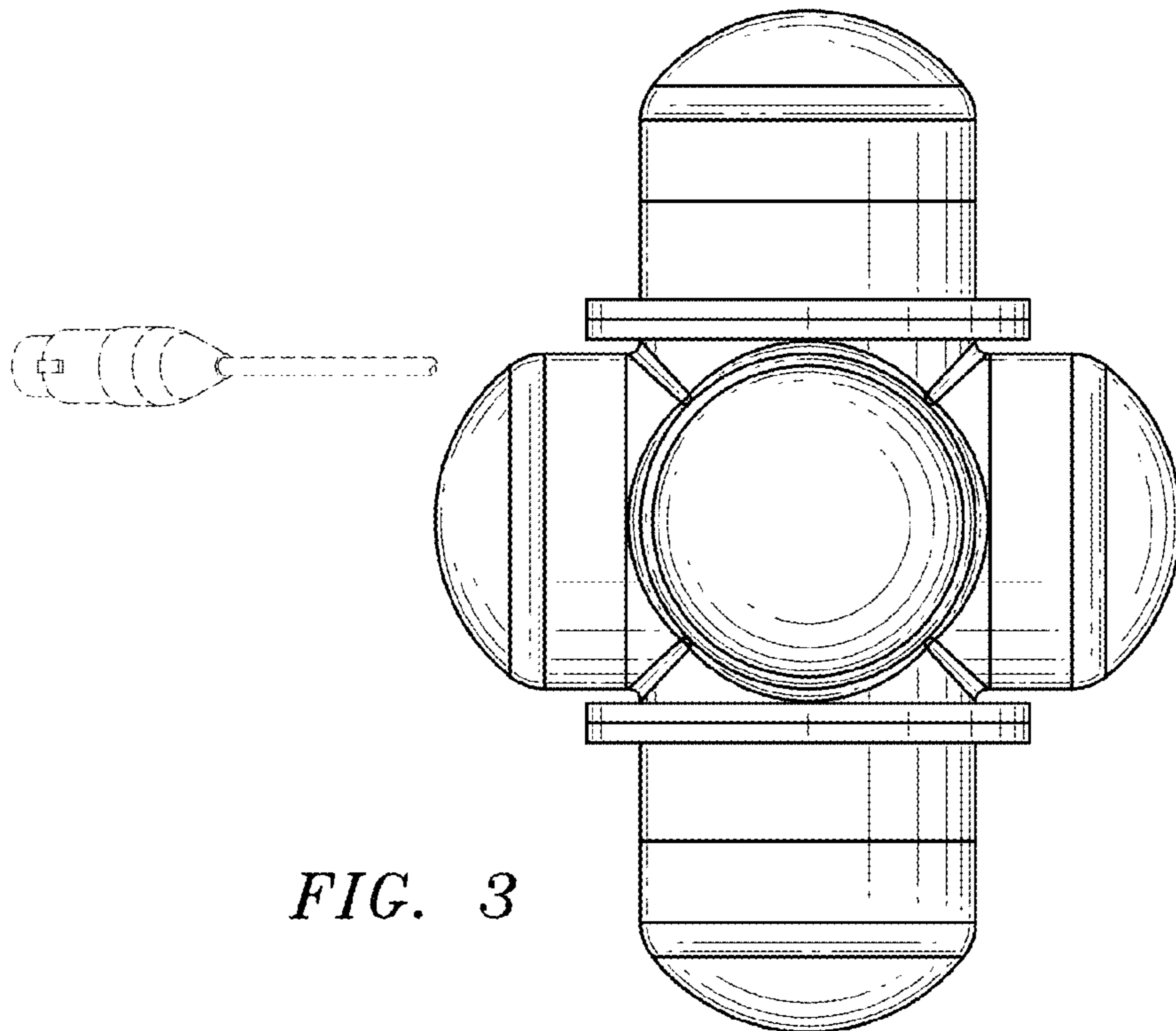


FIG. 3

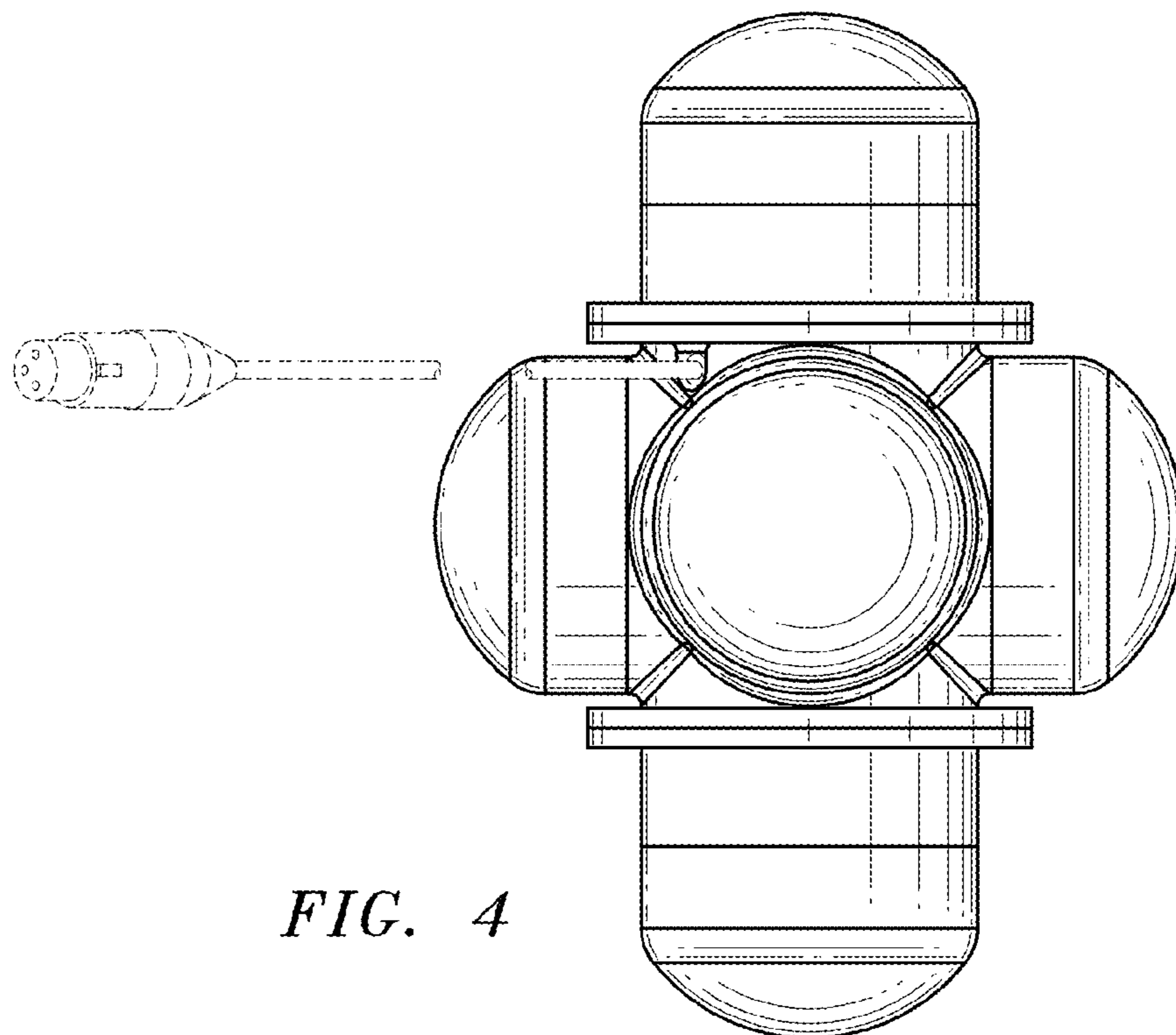


FIG. 4

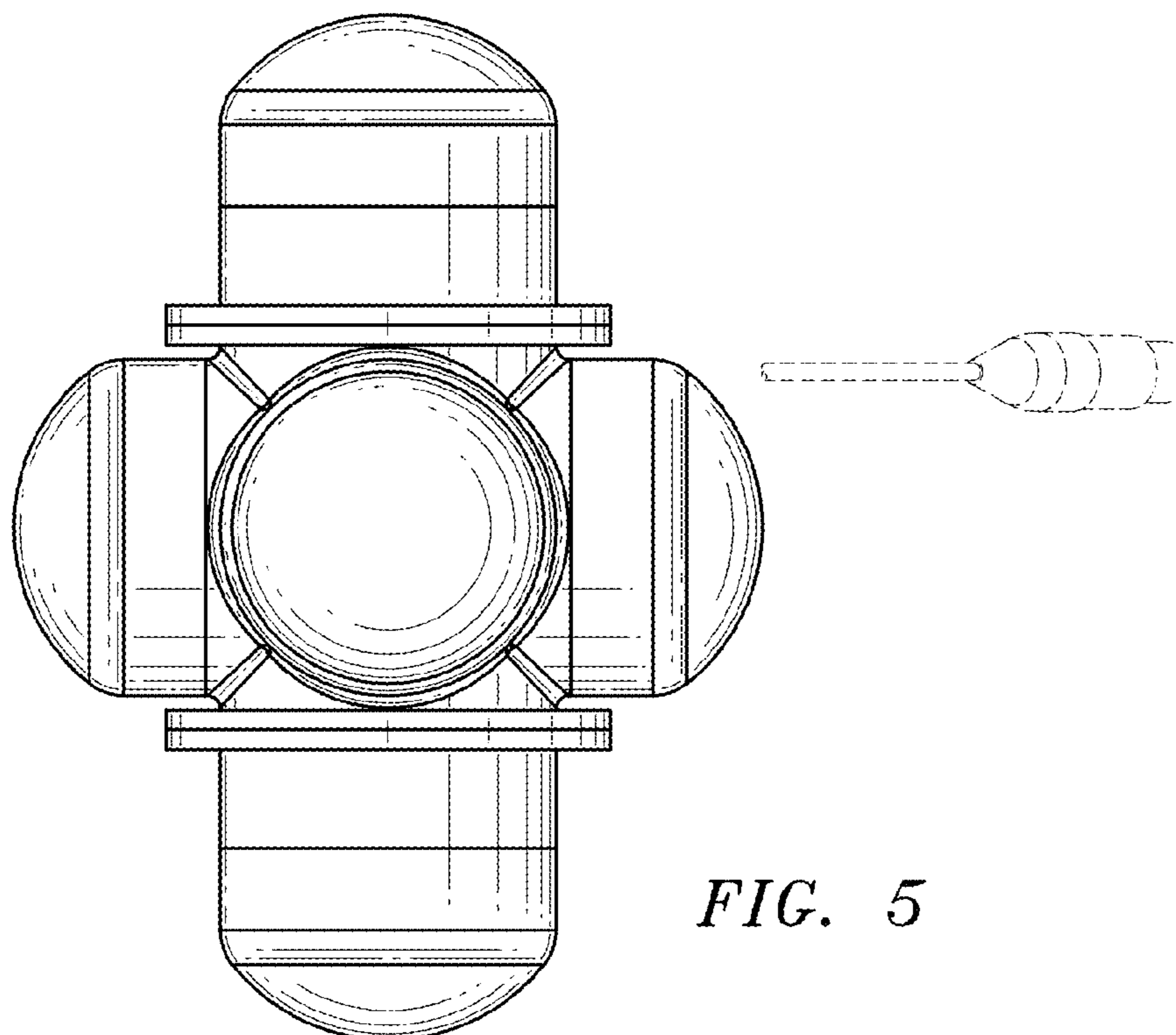


FIG. 5

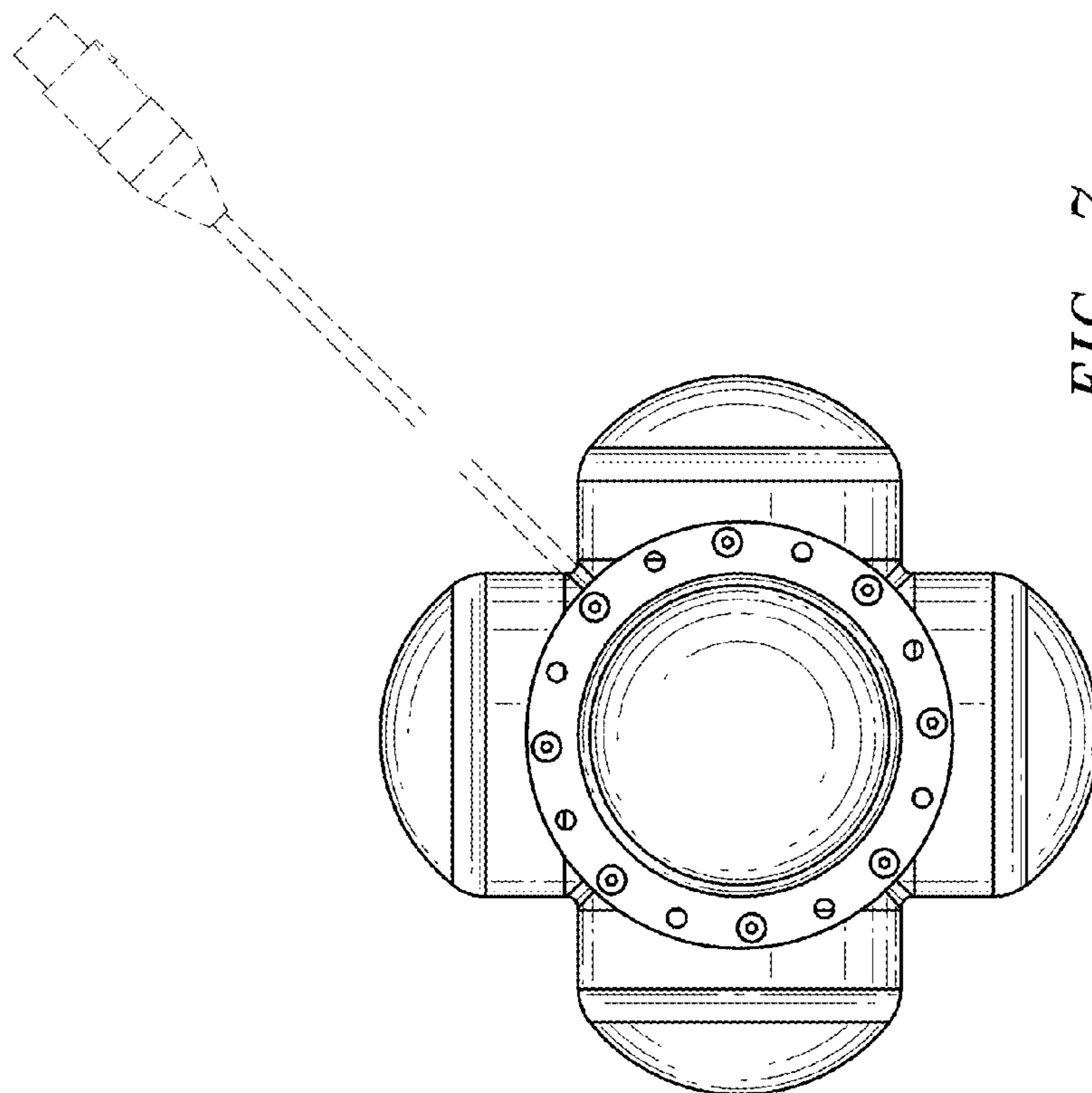


FIG. 7

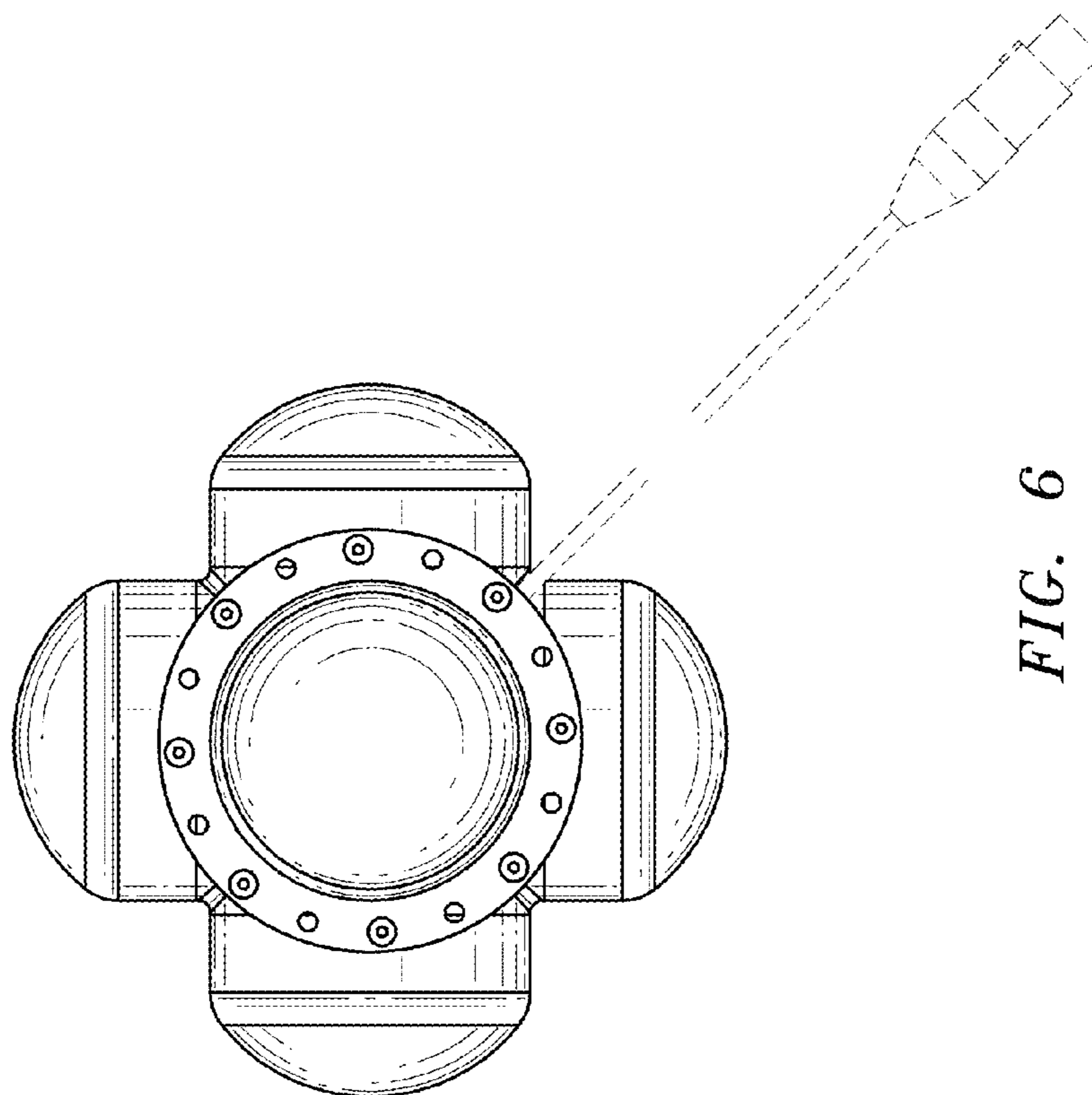


FIG. 6