



US00D682716S

(12) **United States Design Patent**
Noterman

(10) **Patent No.:** **US D682,716 S**

(45) **Date of Patent:** **** May 21, 2013**

(54) **TEMPLATE**

(76) **Inventor:** **Christian Carter Noterman**, San Clemente, CA (US)

(**) **Term:** **14 Years**

(21) **Appl. No.:** **29/409,999**

(22) **Filed:** **Jan. 2, 2012**

(51) **LOC (9) Cl.** **10-04**

(52) **U.S. Cl.**
USPC **D10/64**

(58) **Field of Classification Search** D10/64,
D10/65; 33/1 B, 1 G, 1 K, 562, 613; 40/768,
40/770, 777-779; 229/92.8; 281/33
See application file for complete search history.

(56) **References Cited**

U.S. PATENT DOCUMENTS

4,896,428	A *	1/1990	Peterson	33/1 B
5,238,271	A *	8/1993	Nirmel	283/67
6,618,955	B2 *	9/2003	Rice	33/613

D508,861	S *	8/2005	Zavala	D10/64
7,421,796	B1 *	9/2008	DeAngelis-Morris	33/613
D641,267	S *	7/2011	Kozina et al.	D10/64

* cited by examiner

Primary Examiner — Antoine D Davis

(74) *Attorney, Agent, or Firm* — Eric A. Hanscom; Todd J. Langford

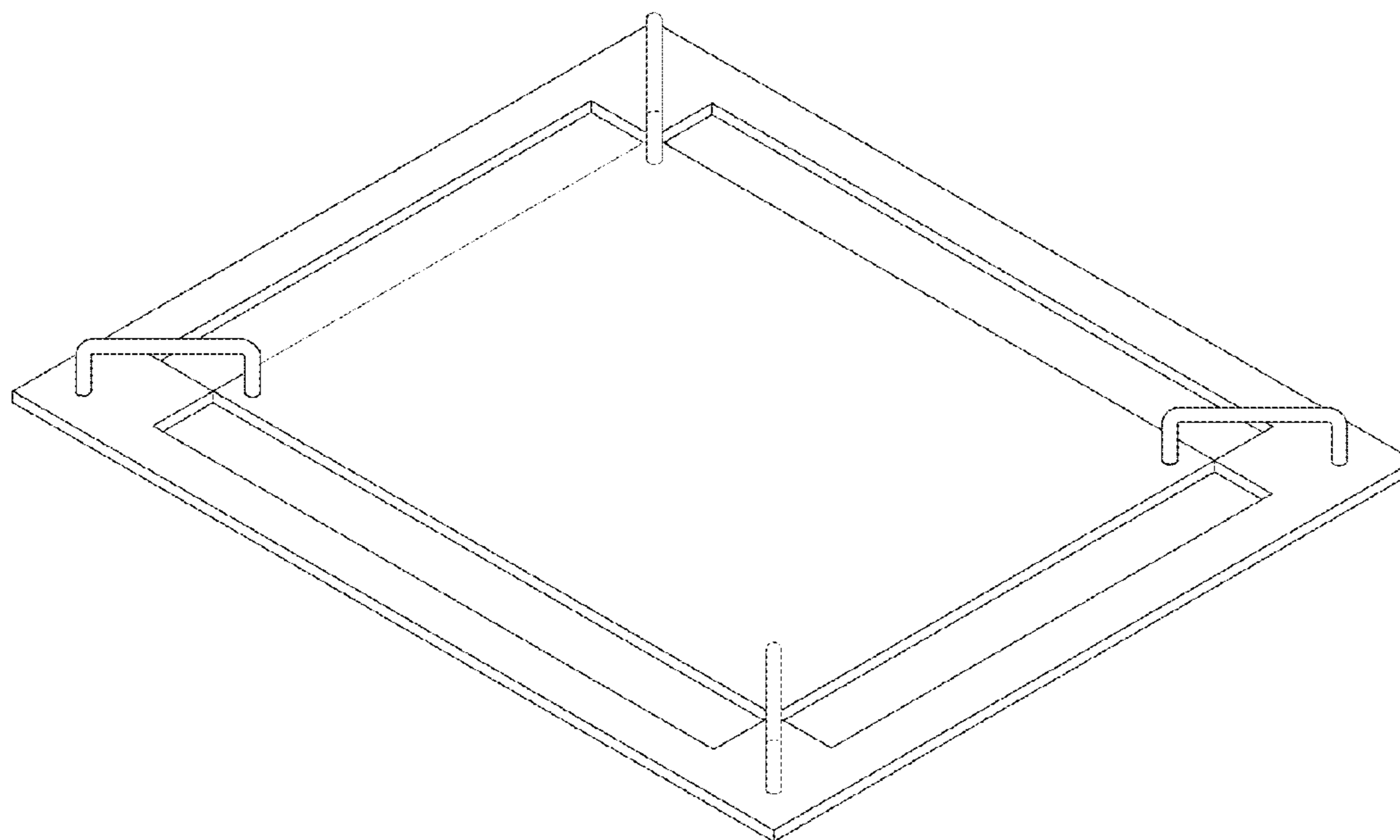
(57) **CLAIM**

The ornamental design for a template, as shown and described.

DESCRIPTION

FIG. 1 is a top view of a template showing my new design, showing how it appears unassembled;
FIG. 2 is a back view thereof;
FIG. 3 is a bottom view thereof;
FIG. 4 is a perspective view thereof;
FIG. 5 is a right-side view thereof;
FIG. 6 is a left-side view thereof; and,
FIG. 7 is a front view thereof.

1 Claim, 7 Drawing Sheets



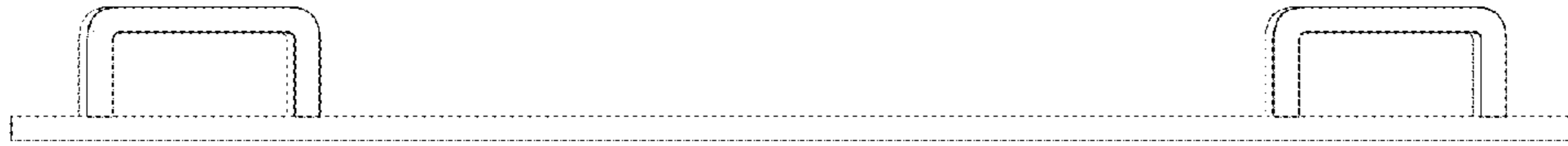


Figure 1

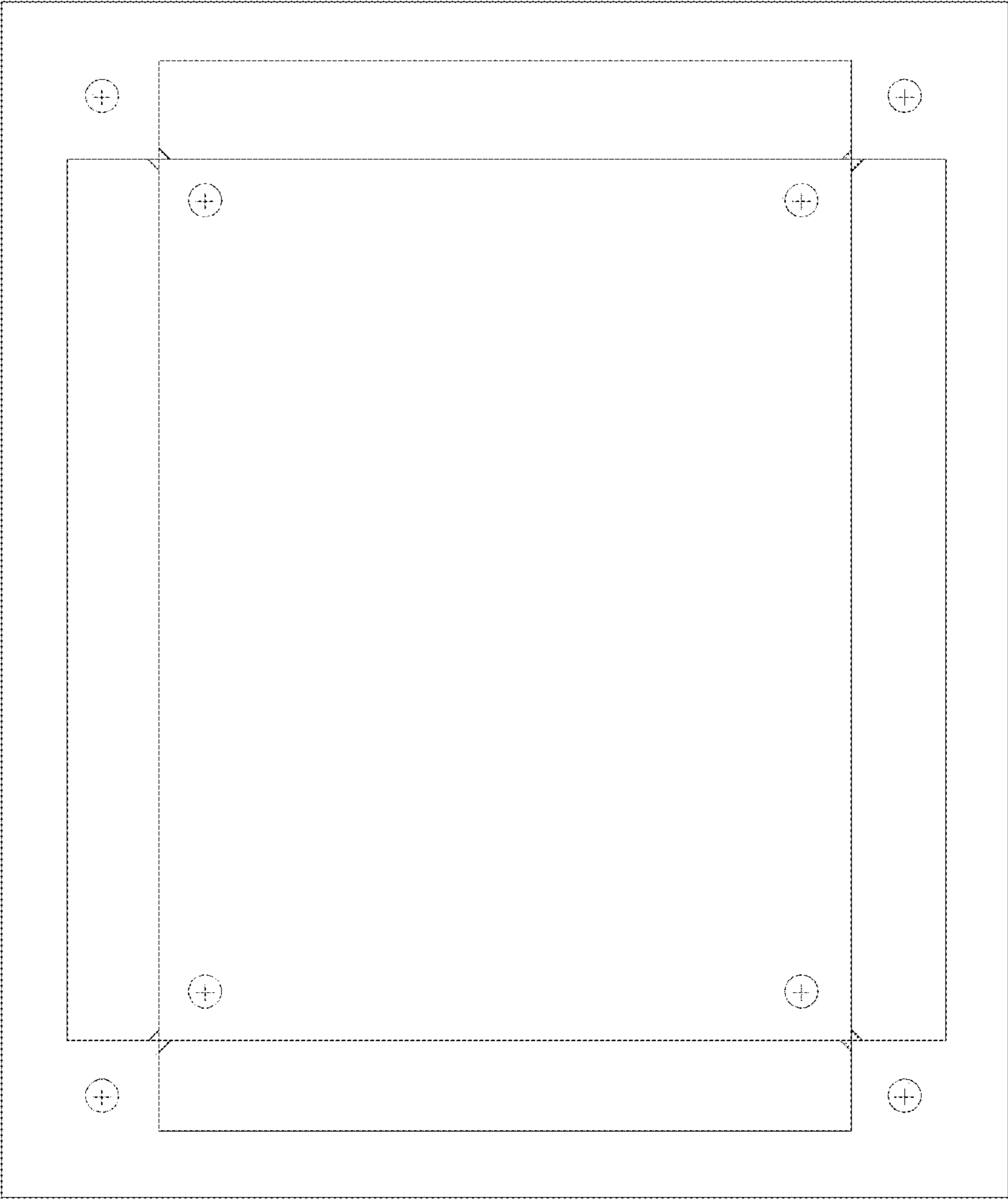


Figure 2

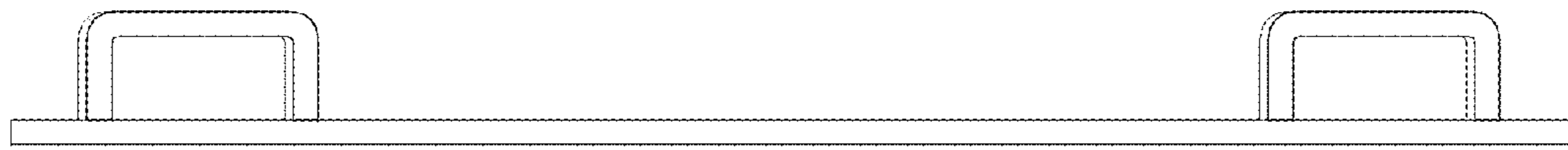


Figure 3

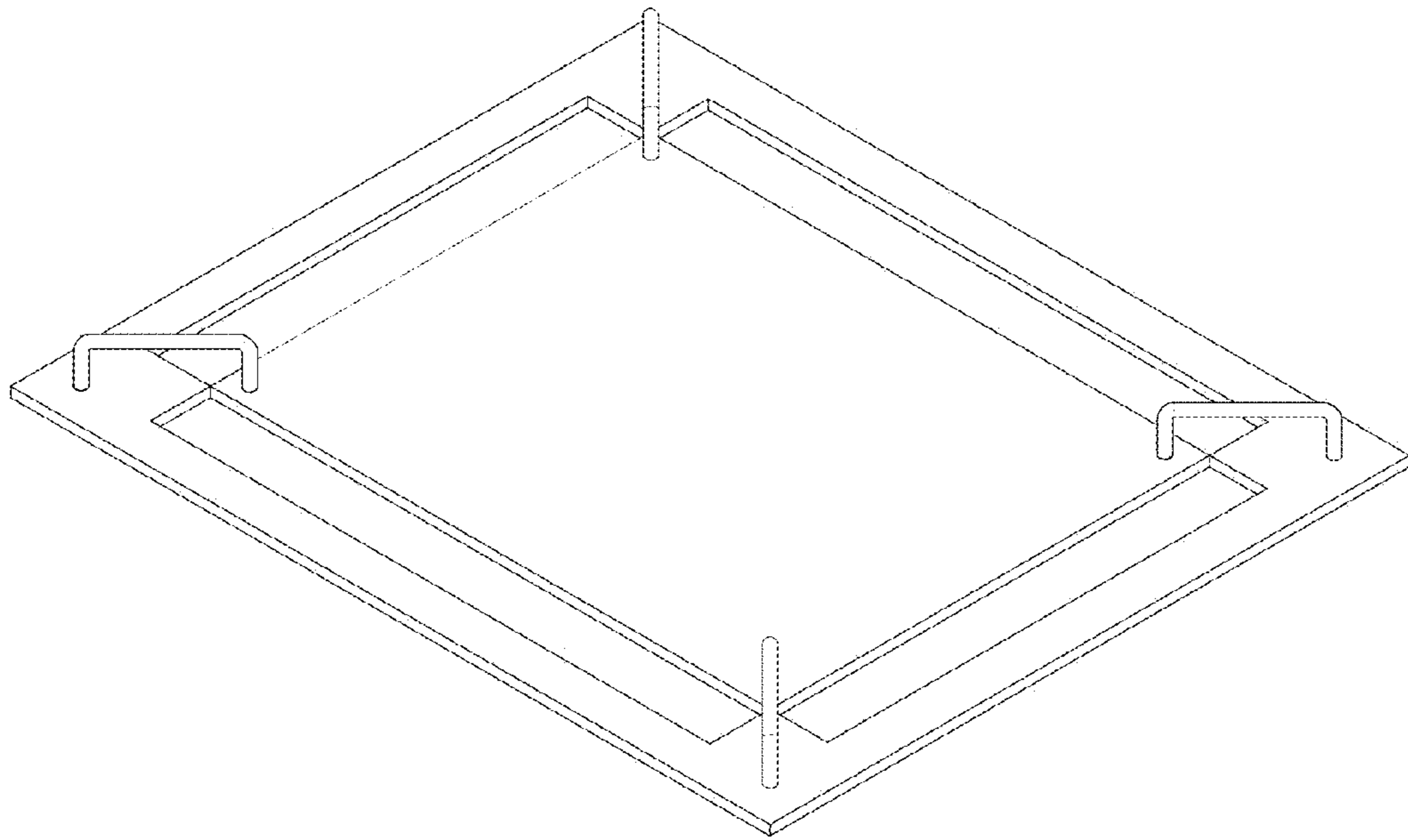


Figure 4

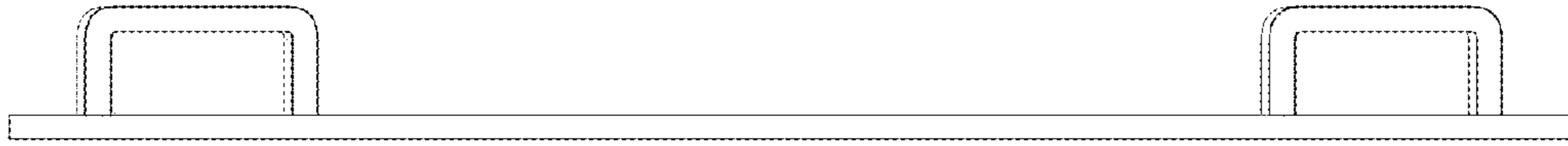


Figure 5

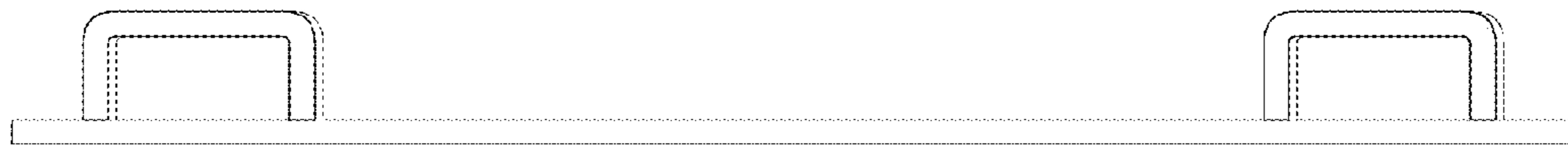


Figure 6

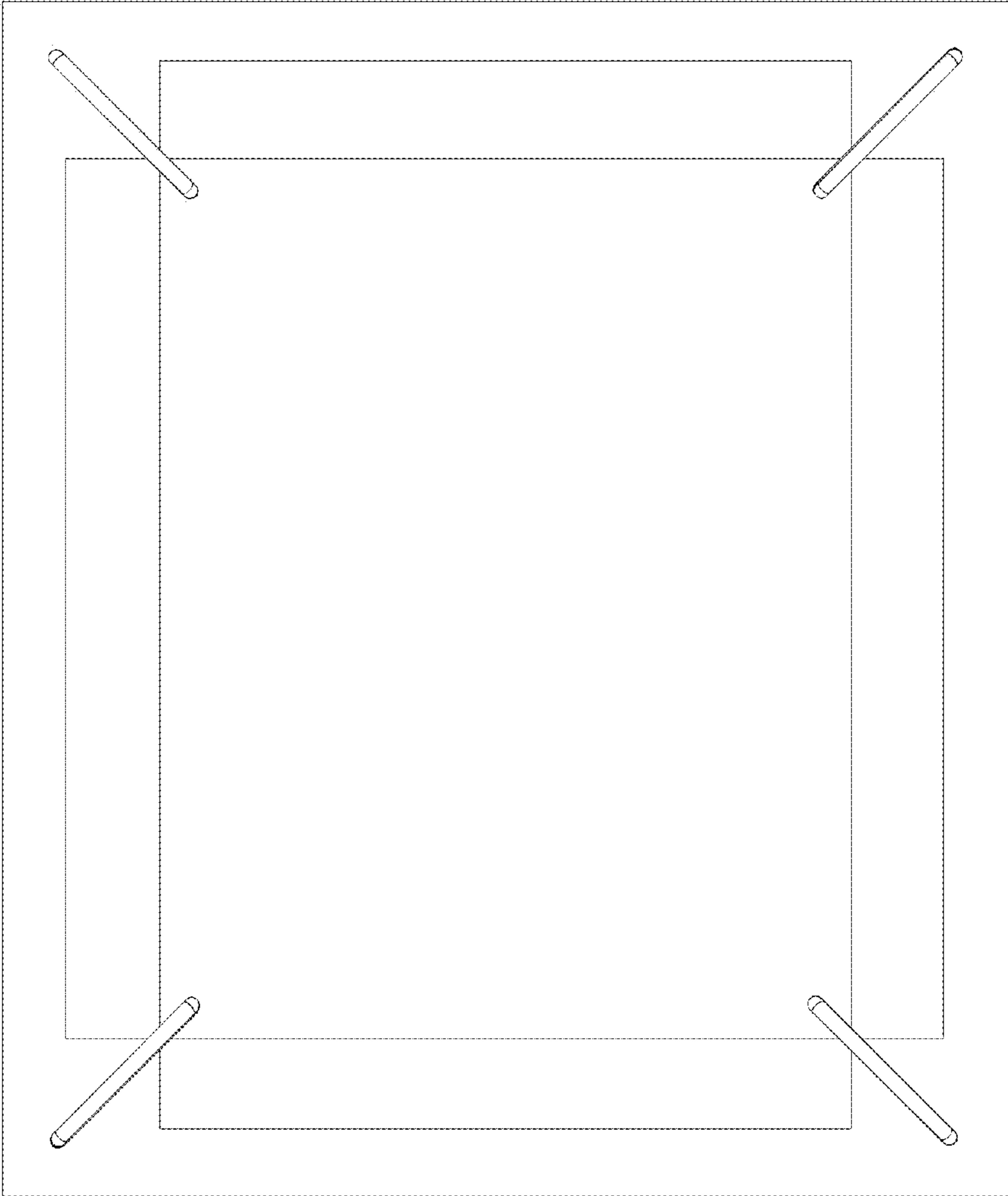


Figure 7