



US00D682715S

(12) **United States Design Patent**
Wang

(10) **Patent No.:** **US D682,715 S**
(45) **Date of Patent:** **** May 21, 2013**

- (54) **TIMER PANEL FOR SPRINKLER**
- (71) Applicant: **Cheng-Yu Wang**, Lugu Township,
Nantou County (TW)
- (72) Inventor: **Cheng-Yu Wang**, Lugu Township,
Nantou County (TW)
- (73) Assignee: **Home Yard Global Co., Ltd.**, Lugu
Township, Nantou County (TW)
- (**) Term: **14 Years**
- (21) Appl. No.: **29/441,749**
- (22) Filed: **Jan. 9, 2013**
- (51) **LOC (9) Cl.** **10-03**
- (52) **U.S. Cl.**
USPC **D10/40; D10/122**
- (58) **Field of Classification Search** D10/40,
D10/49, 50, 102, 122, 123, 125; 239/68,
239/69, 70; 137/624.11, 624.12, 624.21,
137/624.22, 624.18; D23/245; D14/218
See application file for complete search history.

D377,316	S	*	1/1997	Roman et al.	D10/40
5,826,619	A	*	10/1998	Roman	137/624.11
D430,044	S	*	8/2000	Clivio	D10/40
D477,287	S	*	7/2003	Roman	D13/162
D485,502	S	*	1/2004	Clivio	D10/40
6,719,010	B1	*	4/2004	Yi-Chang	137/624.11
D513,999	S	*	1/2006	Echito et al.	D10/40
D567,681	S	*	4/2008	Michael et al.	D10/40
7,810,515	B2	*	10/2010	Nies et al.	137/78.3
D636,278	S	*	4/2011	Franchini	D10/40
D644,130	S	*	8/2011	Thelen et al.	D10/40
8,104,509	B2	*	1/2012	Leer et al.	137/624.11
D659,029	S	*	5/2012	Connolly et al.	D10/40

* cited by examiner

Primary Examiner — Lucy Lieberman
(74) *Attorney, Agent, or Firm* — Egbert Law Offices, PLLC

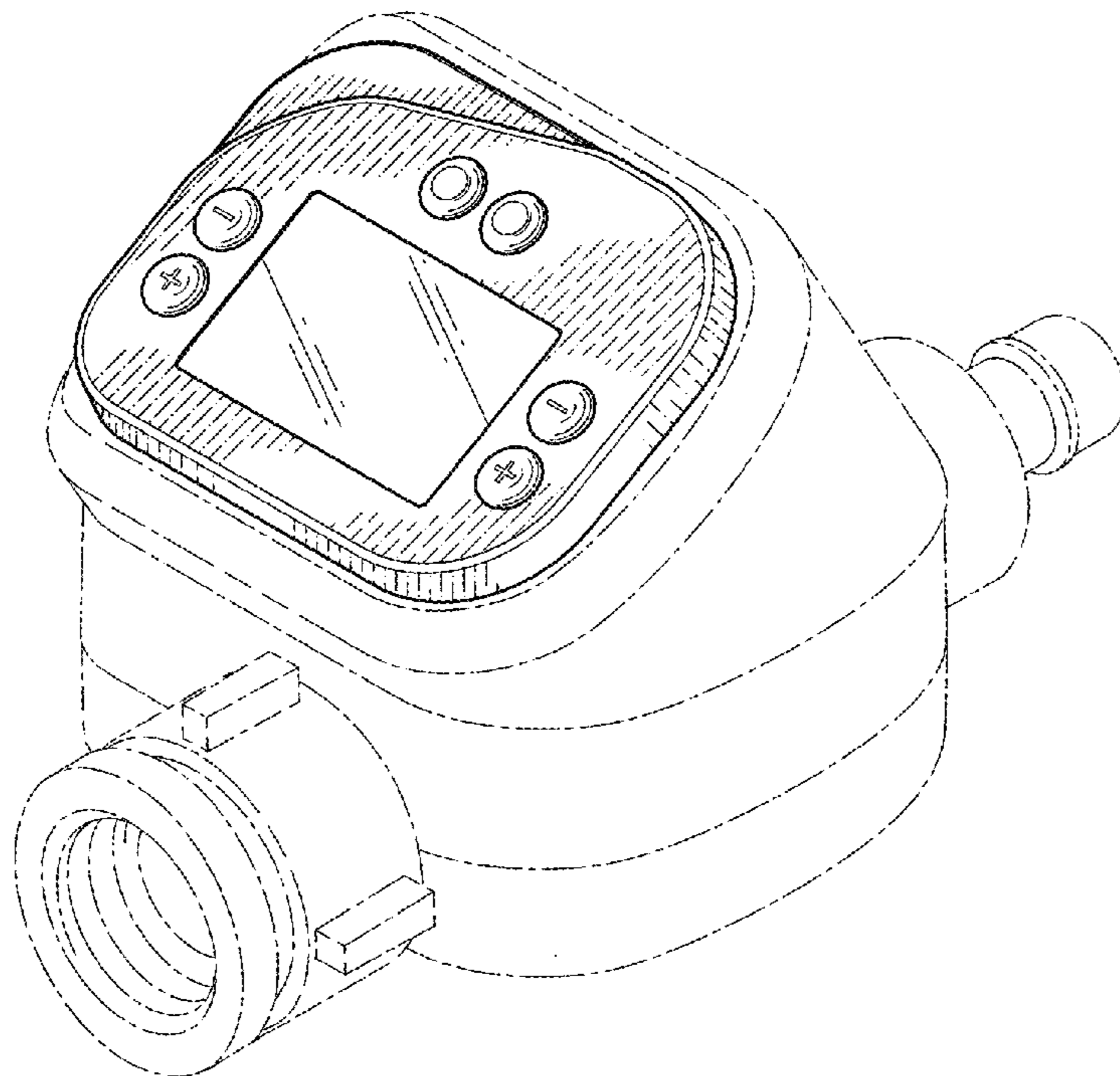
(57) **CLAIM**
The ornamental design for a timer panel for sprinkler, as shown and described.

DESCRIPTION

FIG. 1 is an upper perspective view of the timer panel for sprinkler showing my new design.
FIG. 2 is a front elevation view thereof;
FIG. 3 is back elevation view thereof;
FIG. 4 is a side elevation view thereof;
FIG. 5 is an opposite side elevation view thereof;
FIG. 6 is a top plan view thereof; and,
FIG. 7 is a bottom plan view thereof.
The features presented in broken lines are for environmental purposes only and form no part of of the claimed design.

1 Claim, 7 Drawing Sheets

- (56) **References Cited**
U.S. PATENT DOCUMENTS
4,633,905 A * 1/1987 Wang 137/624.11
4,807,664 A * 2/1989 Wilson et al. 137/624.11
5,101,859 A * 4/1992 Roman 137/624.18
D352,667 S * 11/1994 Chen D10/40
D365,771 S * 1/1996 Clivio D10/96



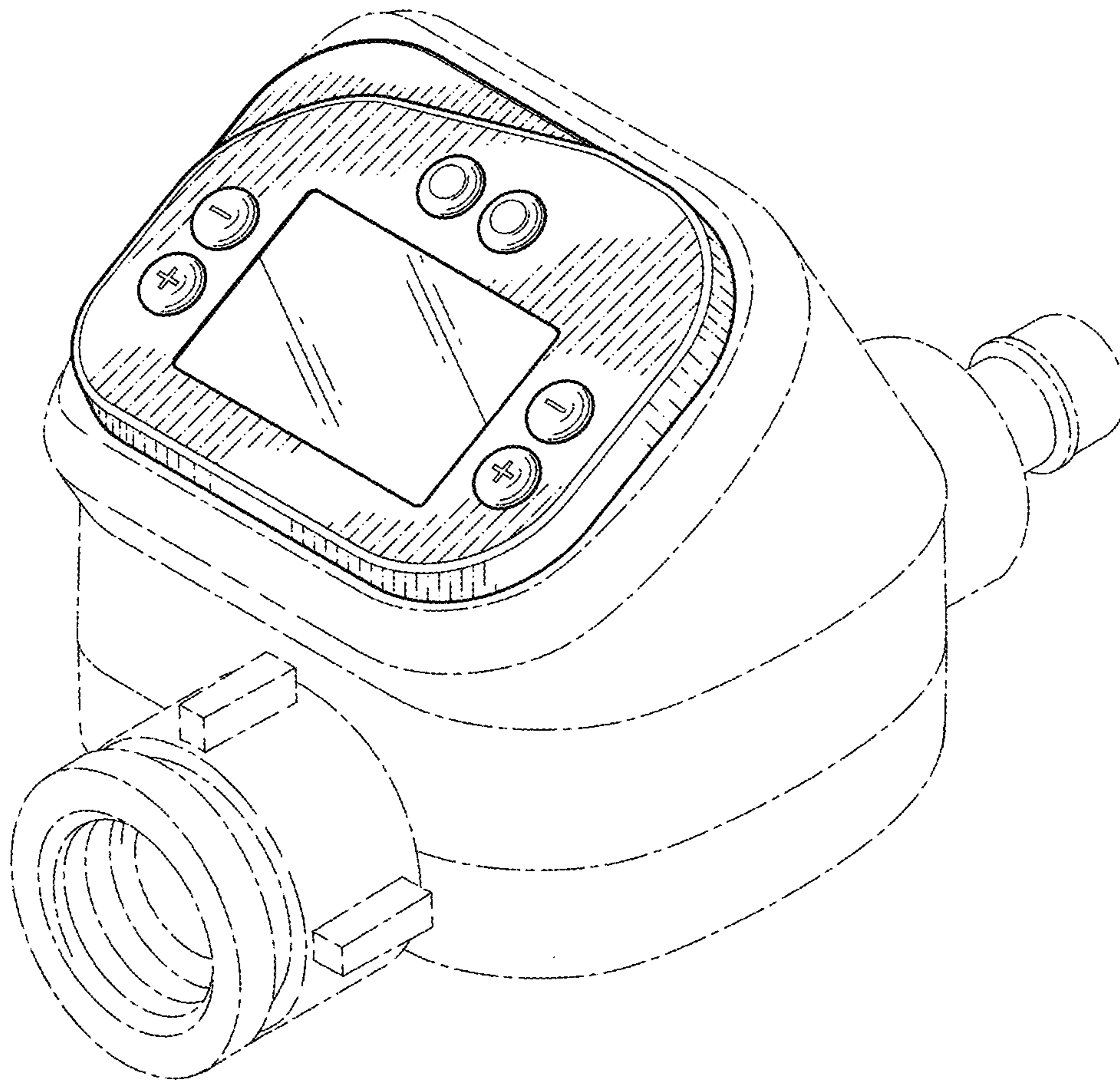


FIG. 1

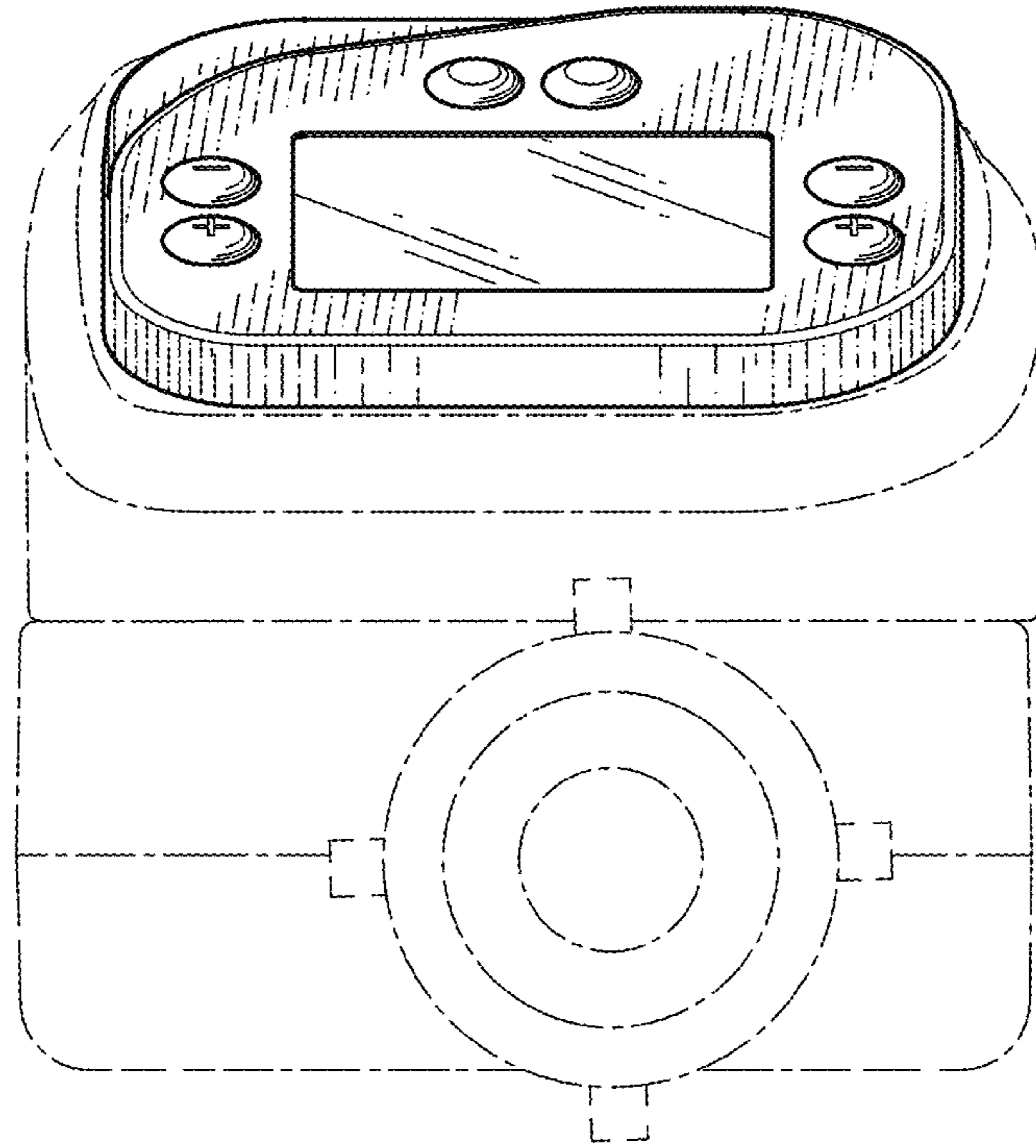


FIG. 2

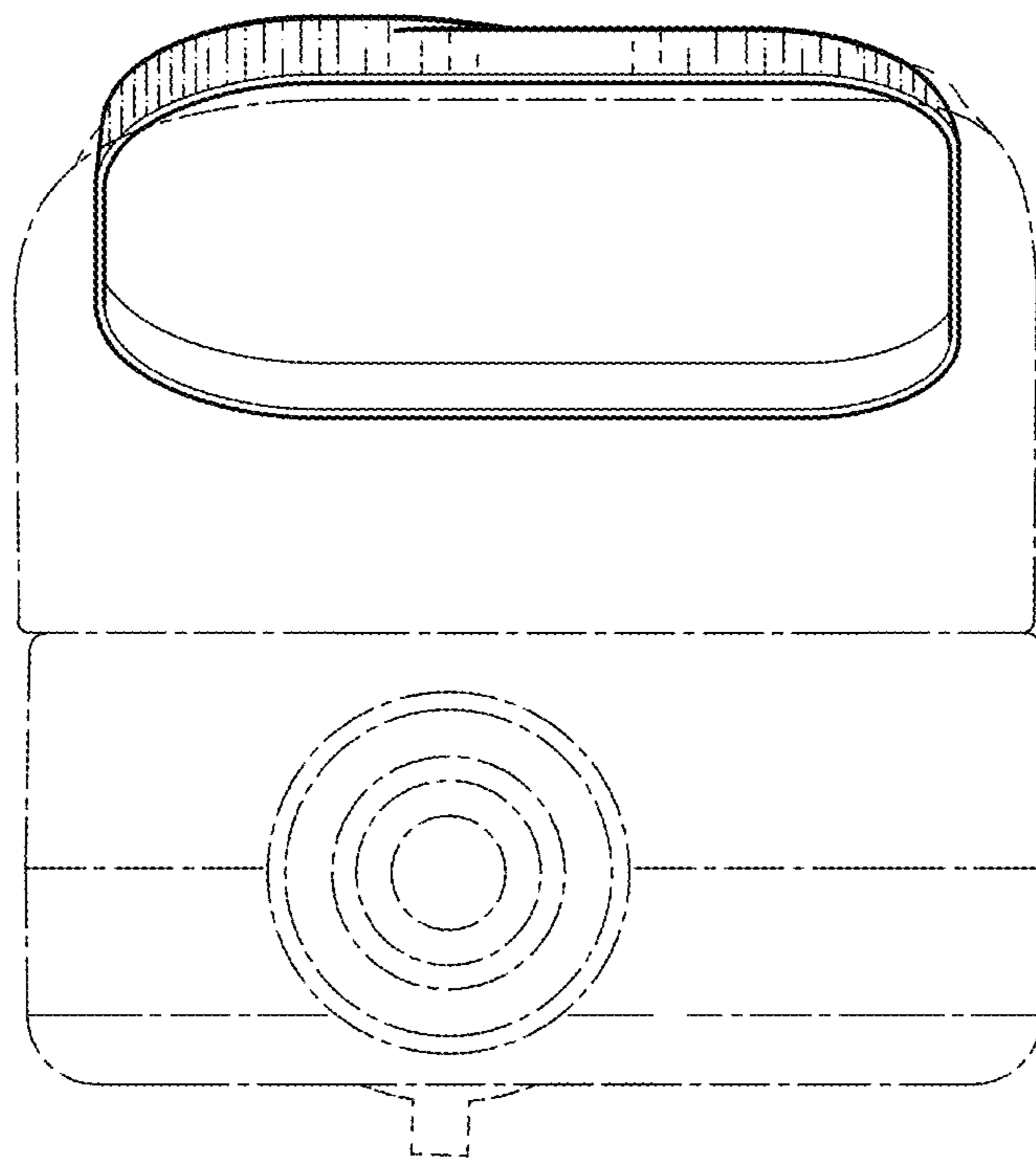


FIG. 3

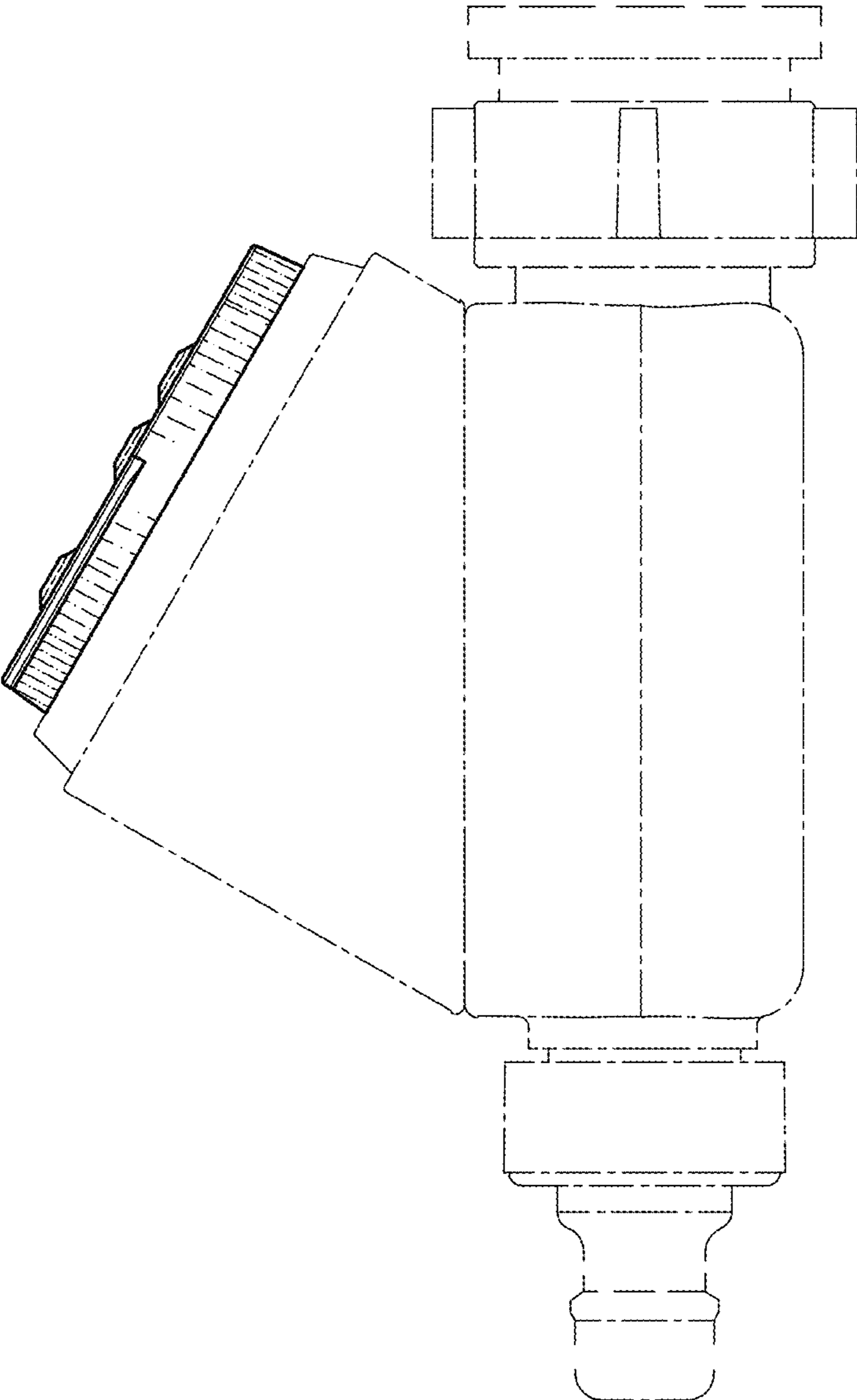


FIG. 4

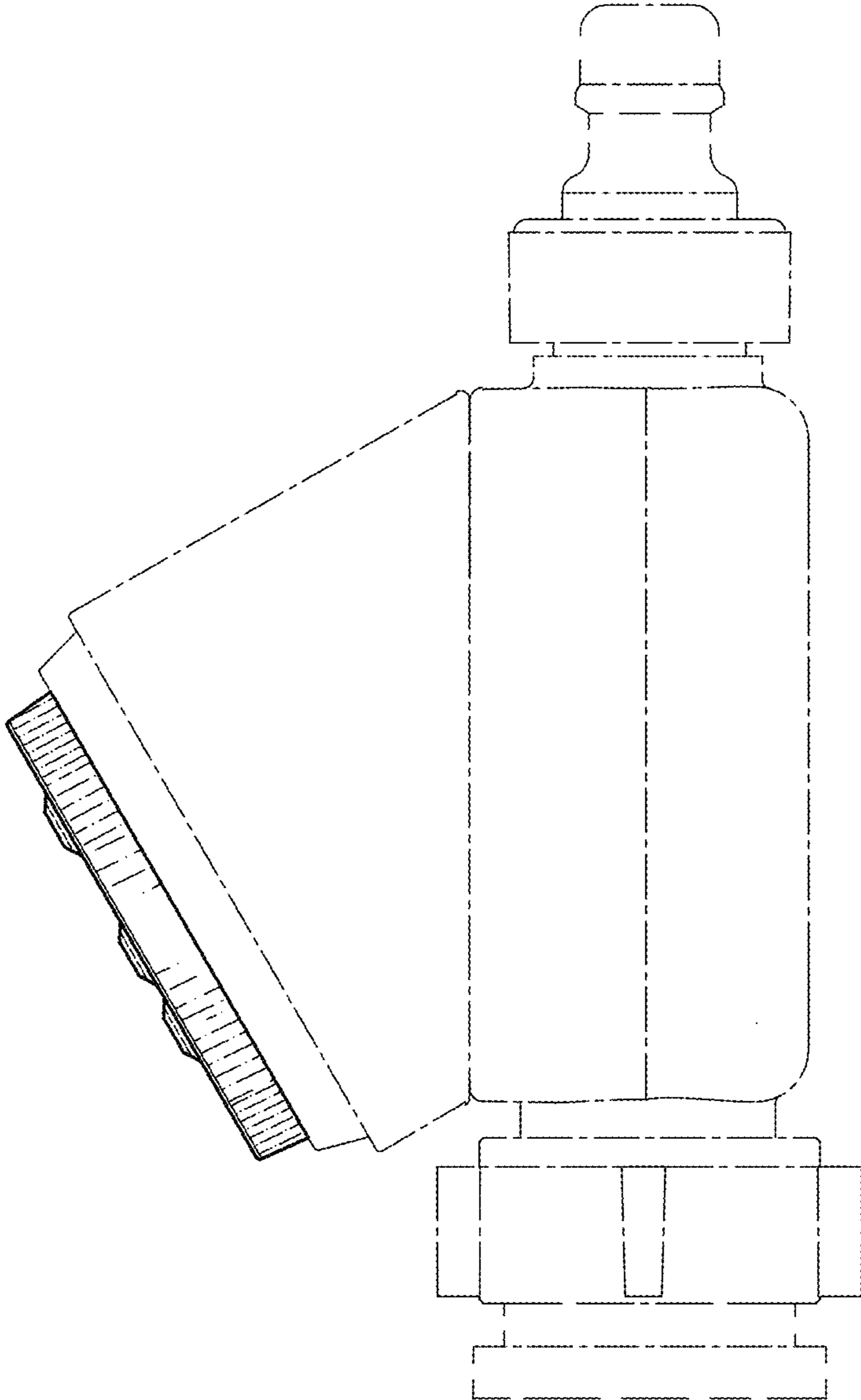


FIG. 5

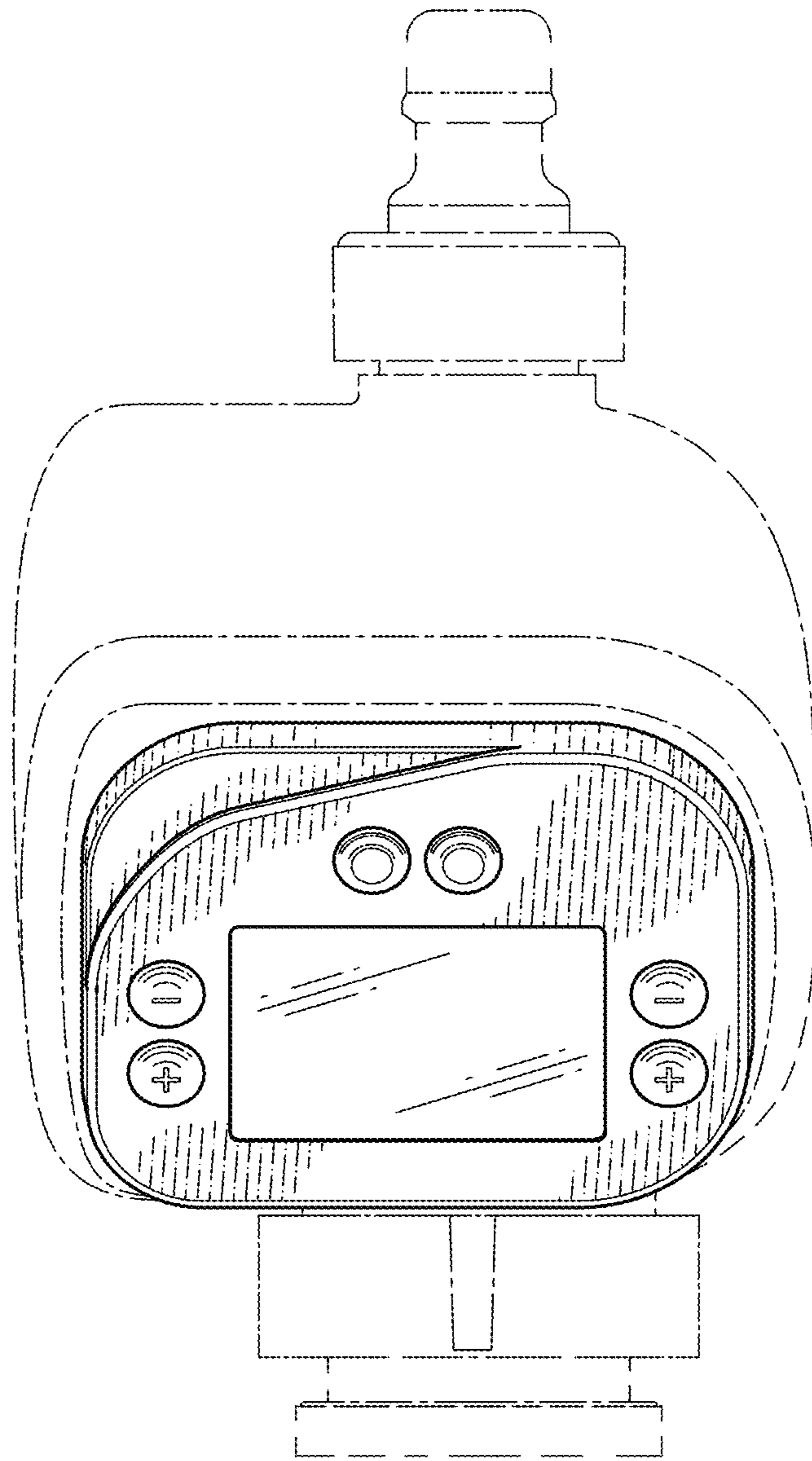


FIG. 6

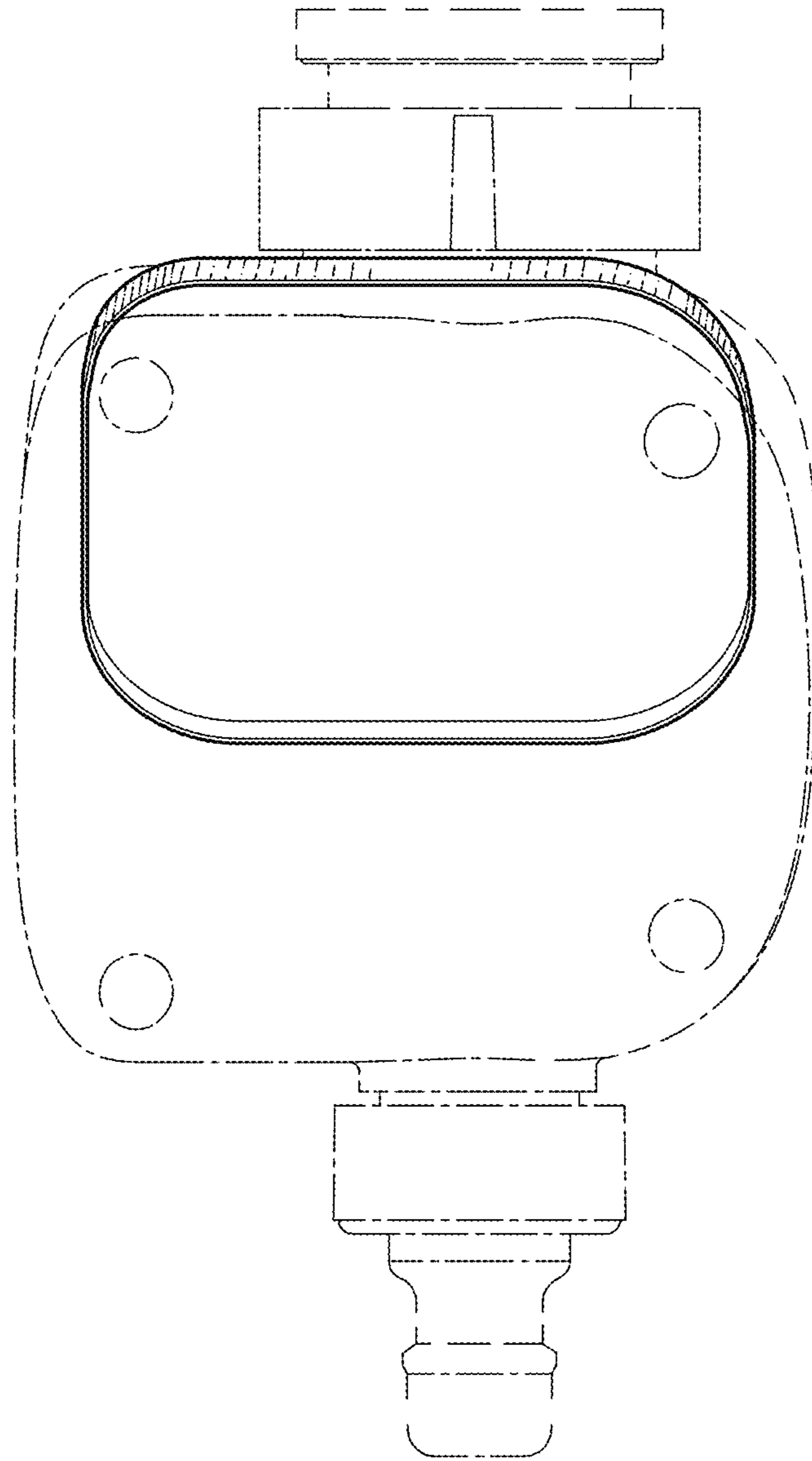


FIG. 7