



US00D682714S

(12) **United States Design Patent**
Barton et al.

(10) **Patent No.:** **US D682,714 S**

(45) **Date of Patent:** **** May 21, 2013**

(54) **WATER TIMER**

(75) Inventors: **Richard J. Barton**, Vail, AZ (US);
Mark Keller, Tucson, AZ (US); **Steve**
Haeske, Allendale, MI (US)

(73) Assignee: **Rain Bird Corporation**, Azusa, CA
(US)

(**) Term: **14 Years**

(21) Appl. No.: **29/402,016**

(22) Filed: **Sep. 19, 2011**

4,722,478 A	2/1988	Fletcher et al.
D295,779 S	5/1988	Bruninga et al.
D295,890 S	5/1988	Bruninga et al.
4,744,515 A	5/1988	Watanabe
D298,962 S	12/1988	Bruninga
4,797,820 A	1/1989	Wilson et al.
4,807,664 A	2/1989	Wilson et al.
4,858,827 A	8/1989	Fletcher et al.
D304,224 S	10/1989	Wilson et al.
4,873,650 A	10/1989	Reeves, Jr.
4,921,001 A	5/1990	Pittsinger

(Continued)

OTHER PUBLICATIONS

2006 Orbit Sun Mate Installation and User's Guide, pp. 1-2.

(Continued)

Related U.S. Application Data

(62) Division of application No. 29/383,126, filed on Jan. 12, 2011, now Pat. No. Des. 647,411.

(51) **LOC (9) Cl.** **10-03**

(52) **U.S. Cl.**
USPC **D10/40**

(58) **Field of Classification Search** D10/40;
239/68, 69, 70; 137/624.11, 624.12, 624.21,
137/624.22, 624.18, 624.13, 624.15; D23/245
See application file for complete search history.

(56) **References Cited**

U.S. PATENT DOCUMENTS

3,912,167 A	10/1975	Simon
4,004,258 A	1/1977	Arnold
4,108,419 A	8/1978	Sturman et al.
4,130,135 A	12/1978	Moore
4,280,530 A	7/1981	Yi
4,526,198 A	7/1985	Scott
D281,808 S	12/1985	Lemkin
4,592,505 A	6/1986	Bruninga et al.
4,633,905 A	1/1987	Wang
4,708,264 A	11/1987	Bruninga

Primary Examiner — Lucy Lieberman

(74) *Attorney, Agent, or Firm* — Fitch, Evan, Tabin & Flannery, LLP

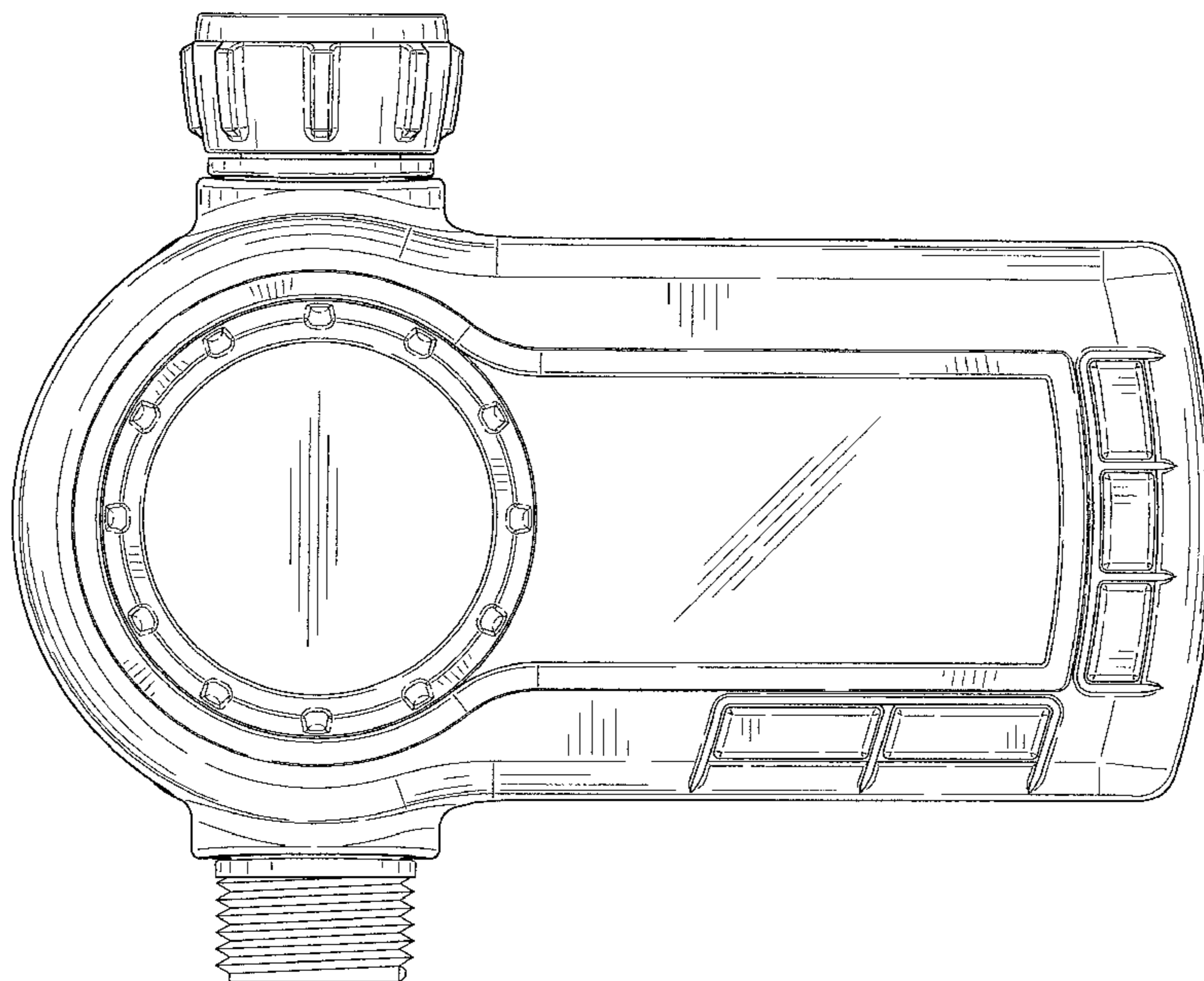
(57) **CLAIM**

We claim the ornamental design for a water timer, as shown and described.

DESCRIPTION

FIG. 1 is a perspective view of a water timer;
FIG. 2 is a front elevational view of the water timer of FIG. 1;
FIG. 3 is a left side elevational view of the water timer of FIG. 1;
FIG. 4 is a right side elevational view of the water timer of FIG. 1;
FIG. 5 is a rear elevational view of the water timer of FIG. 1;
FIG. 6 is a top view of the water timer of FIG. 1; and,
FIG. 7 is a bottom view of the water timer of FIG. 1.
The broken lines in the foregoing drawings are for the purpose of illustration and form no part of the claimed design.

1 Claim, 7 Drawing Sheets



US D682,714 S

Page 2

U.S. PATENT DOCUMENTS

5,101,859	A	4/1992	Roman	7,404,415	B2	7/2008	Jacobs et al.	
5,135,168	A	8/1992	Wang	D604,183	S	11/2009	Zore et al.	
5,262,936	A	11/1993	Faris et al.	D604,184	S	11/2009	Leer et al.	
5,402,812	A	4/1995	Moineau et al.	7,619,322	B2	11/2009	Gardner et al.	
5,470,043	A	11/1995	Marts et al.	7,735,513	B2	6/2010	Bush	
D365,771	S	1/1996	Clivio	7,761,189	B2	7/2010	Froman et al.	
D386,985	S	12/1997	Cameron	7,810,515	B2	10/2010	Nies et al.	
5,826,619	A	10/1998	Roman	D642,077	S *	7/2011	Nies et al.	D10/40
5,915,665	A	6/1999	Paese et al.	D643,755	S *	8/2011	Nies et al.	D10/40
5,960,813	A	10/1999	Sturman et al.	2005/0060065	A1	3/2005	King-Yuan	
6,053,416	A	4/2000	Specht et al.	2005/0082503	A1	4/2005	Patterson et al.	
D430,044	S	8/2000	Clivio	2005/0167625	A1	8/2005	Deen	
D431,195	S	9/2000	Clivio	2005/0199842	A1	9/2005	Parsons et al.	
6,257,264	B1	7/2001	Sturman et al.	2008/0251601	A1	10/2008	Nies et al.	
6,283,139	B1	9/2001	Symonds et al.	2008/0255708	A1	10/2008	Nies et al.	
D451,037	S	11/2001	Jacobs et al.	2009/0001193	A1	1/2009	Parsons et al.	
D451,411	S	12/2001	Jacobs et al.	2009/0008472	A1	1/2009	Wilson	
D451,412	S	12/2001	Jacobs et al.	2009/0025807	A1	1/2009	August et al.	
6,337,635	B1	1/2002	Ericksen et al.	2009/0126801	A1	5/2009	Grill et al.	
6,397,888	B1	6/2002	Wang	2009/0179165	A1	7/2009	Parsons et al.	
6,460,563	B2	10/2002	Olson et al.	2010/0163126	A1	7/2010	Leer et al.	
D467,187	S	12/2002	Clivio	2010/0198418	A1	8/2010	Williams et al.	
6,547,211	B2	4/2003	Roman	2010/0230510	A1	9/2010	Wilson	
D477,287	S	7/2003	Roman	2011/0089351	A1	4/2011	Spadotto et al.	
D485,502	S	1/2004	Clivio	2011/0118881	A1	5/2011	Tai	
6,694,223	B1	2/2004	Goldberg et al.	2011/0215168	A1	9/2011	Mayher	
6,719,010	B1	4/2004	Yi-Chang	2011/0226363	A1	9/2011	Yu	
6,749,136	B1	6/2004	Wilson et al.					
6,827,288	B2	12/2004	Noelke					
6,955,333	B2	10/2005	Patterson et al.					
6,986,364	B1	1/2006	Wang					
6,989,364	B1	1/2006	Jin et al.					
7,121,477	B1	10/2006	Noelke					
7,203,576	B1	4/2007	Wilson et al.					
7,252,113	B2	8/2007	Jacobs et al.					
7,286,904	B2	10/2007	Graham					
D559,708	S	1/2008	Michael et al.					
D567,680	S	4/2008	Michael et al.					
D567,681	S	4/2008	Michael et al.					

OTHER PUBLICATIONS

2006 User's Manual: Sprinkler timers by Orbit, pp. 1-19, 52, 53.
2007 Installation manual/ User's Manual: Sprinkler Timers by Orbit, pp. 1-22.
2007 Orbit Battery Operated Sprinkler Timer with Inline Valve User manual, pp. 1-8.
2007 Orbit Installation Manual/ User's Manual, pp. 1-2.
2007 Orbit ST2-RF Sprinkler Timer Manual, pp. 1-19.
2007 Orbit Touch-Screen Timer Manual, pp. 1-16.

* cited by examiner

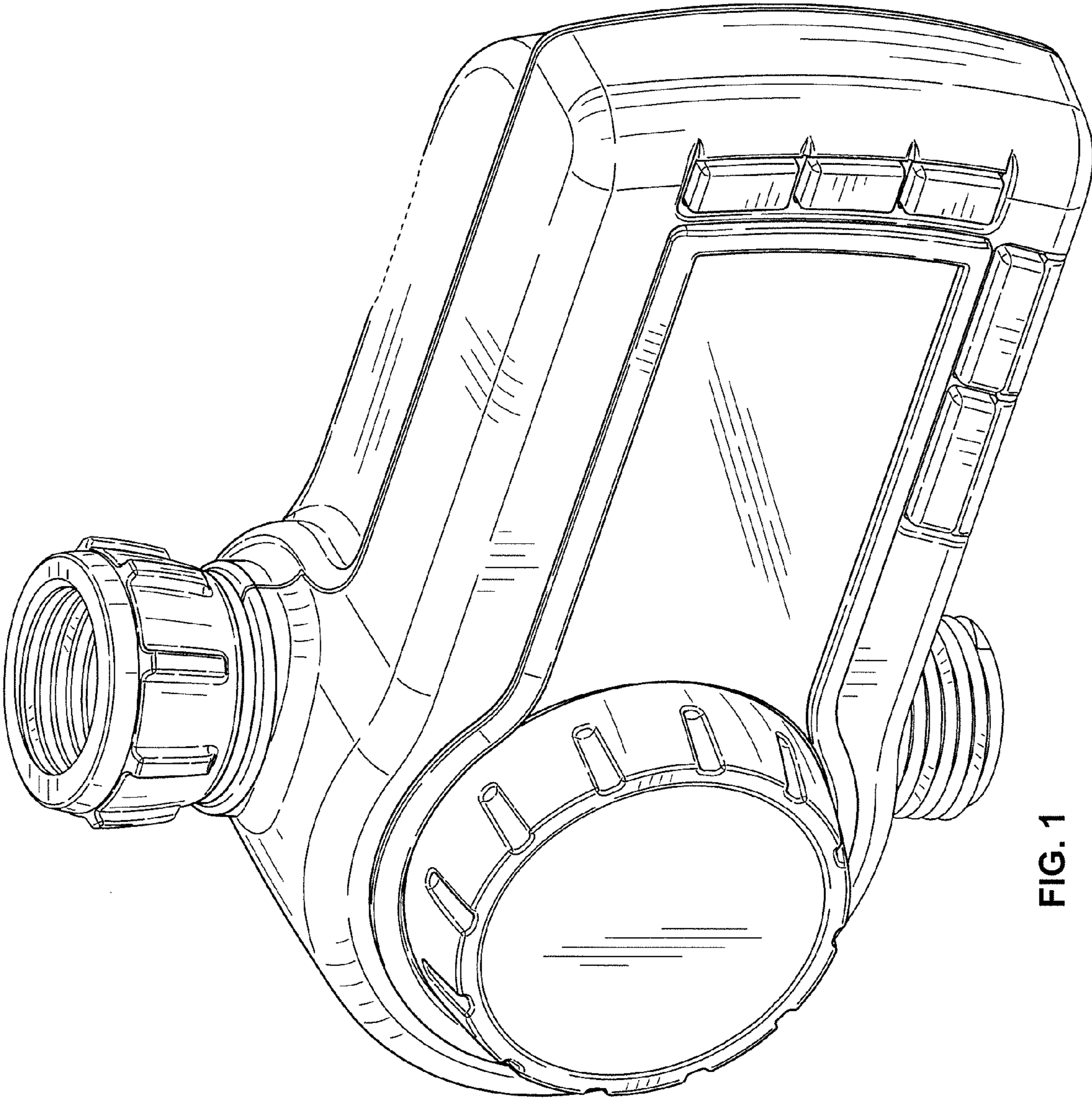


FIG. 1

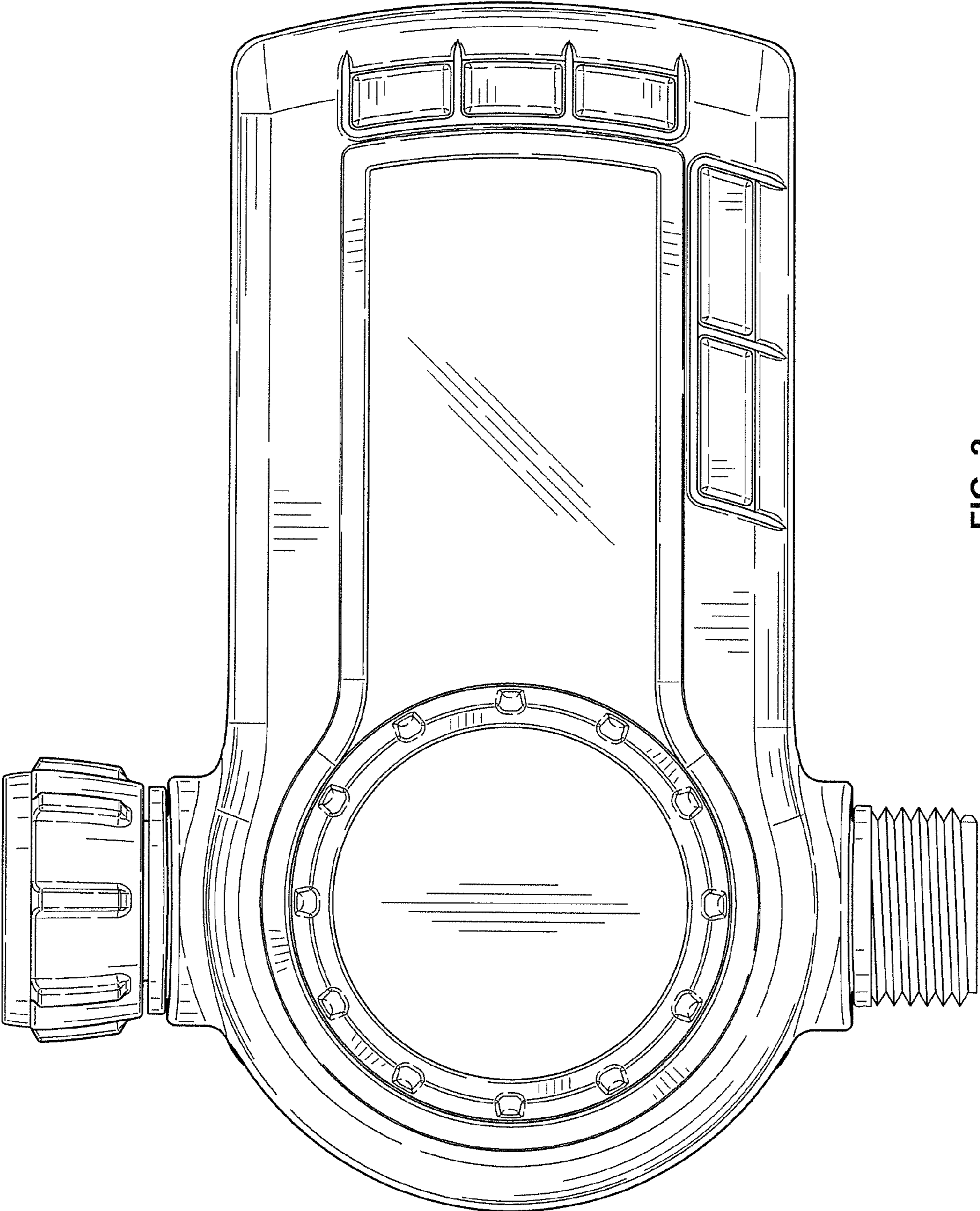


FIG. 2

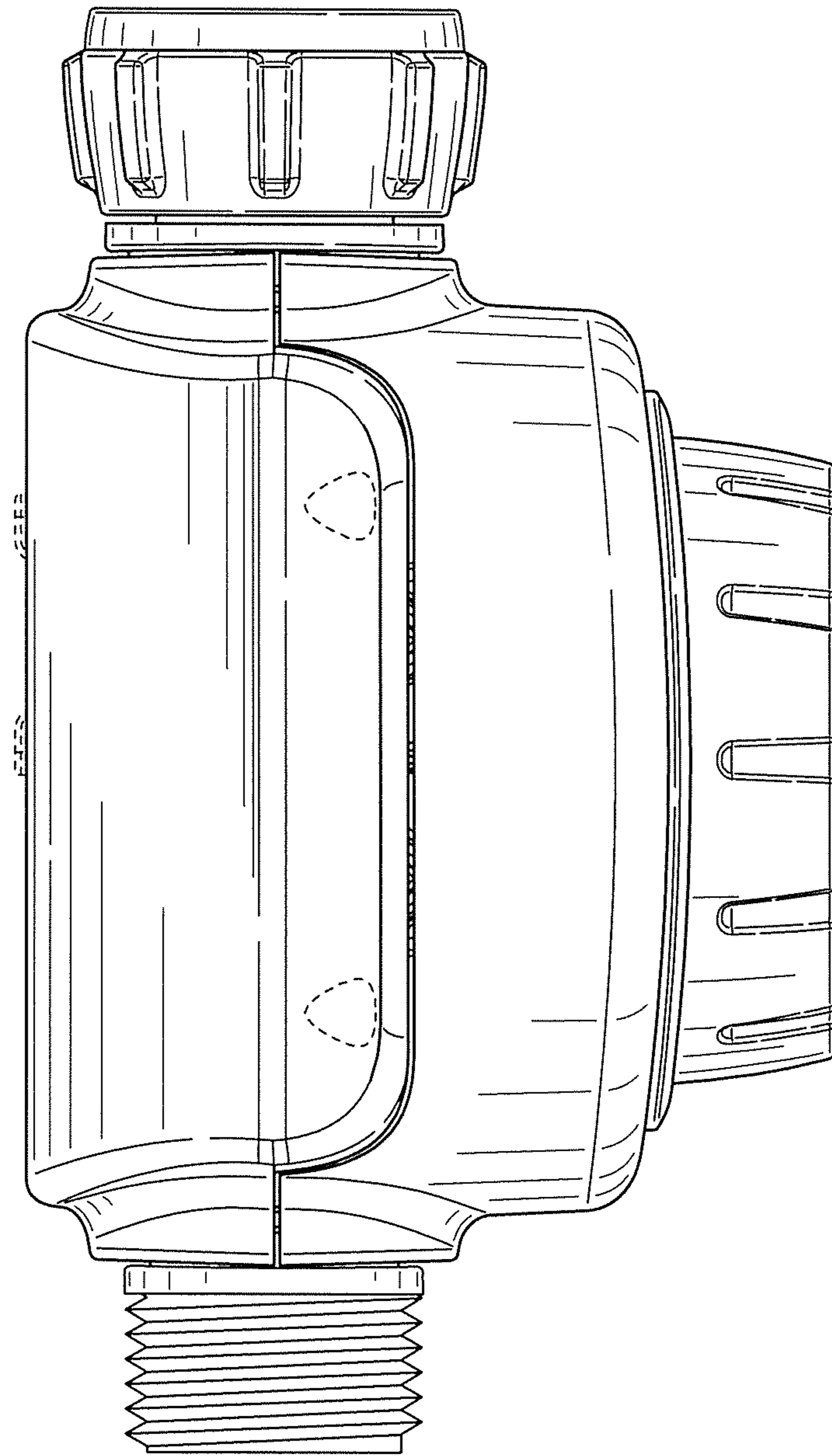


FIG. 3

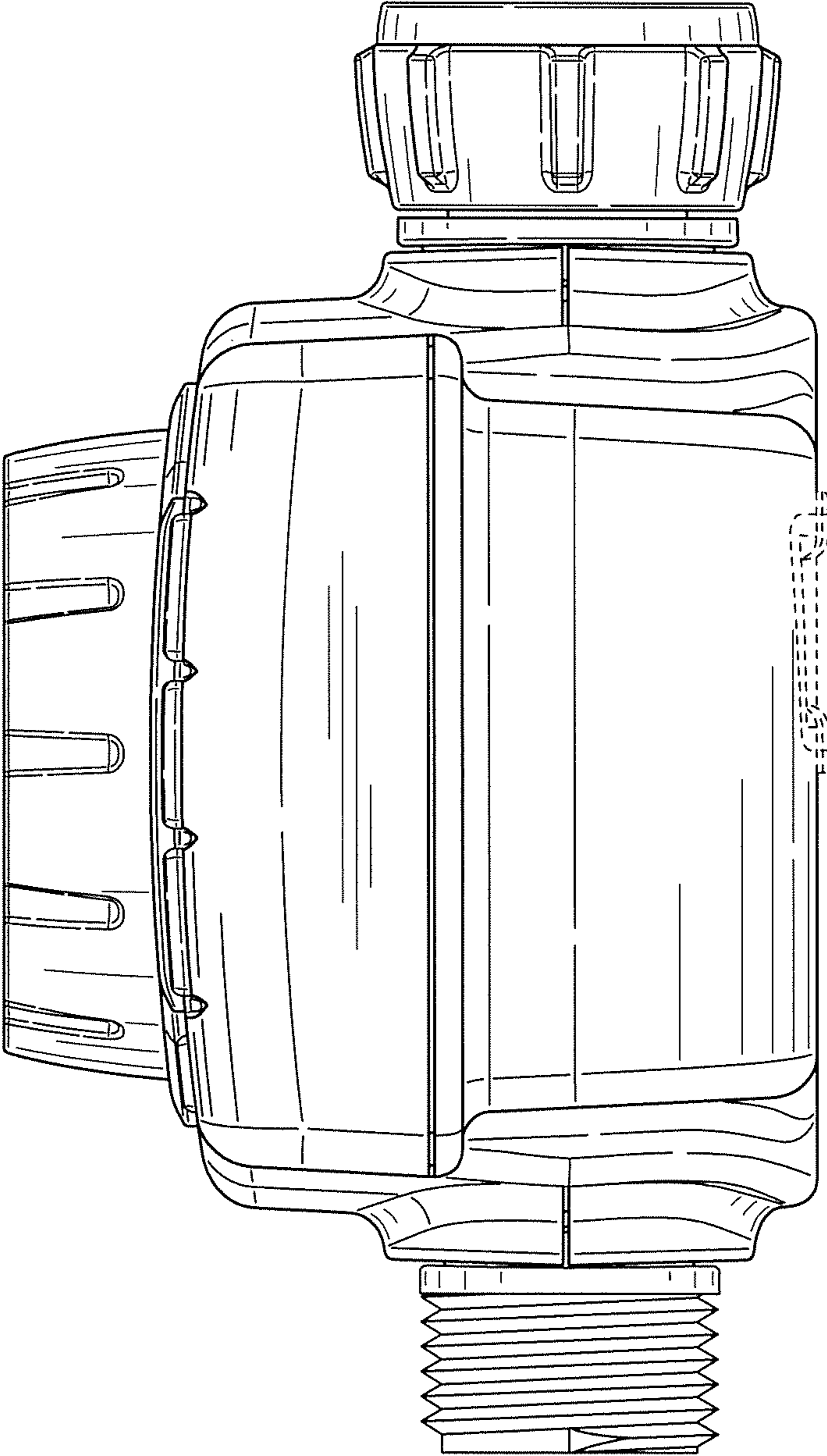


FIG. 4

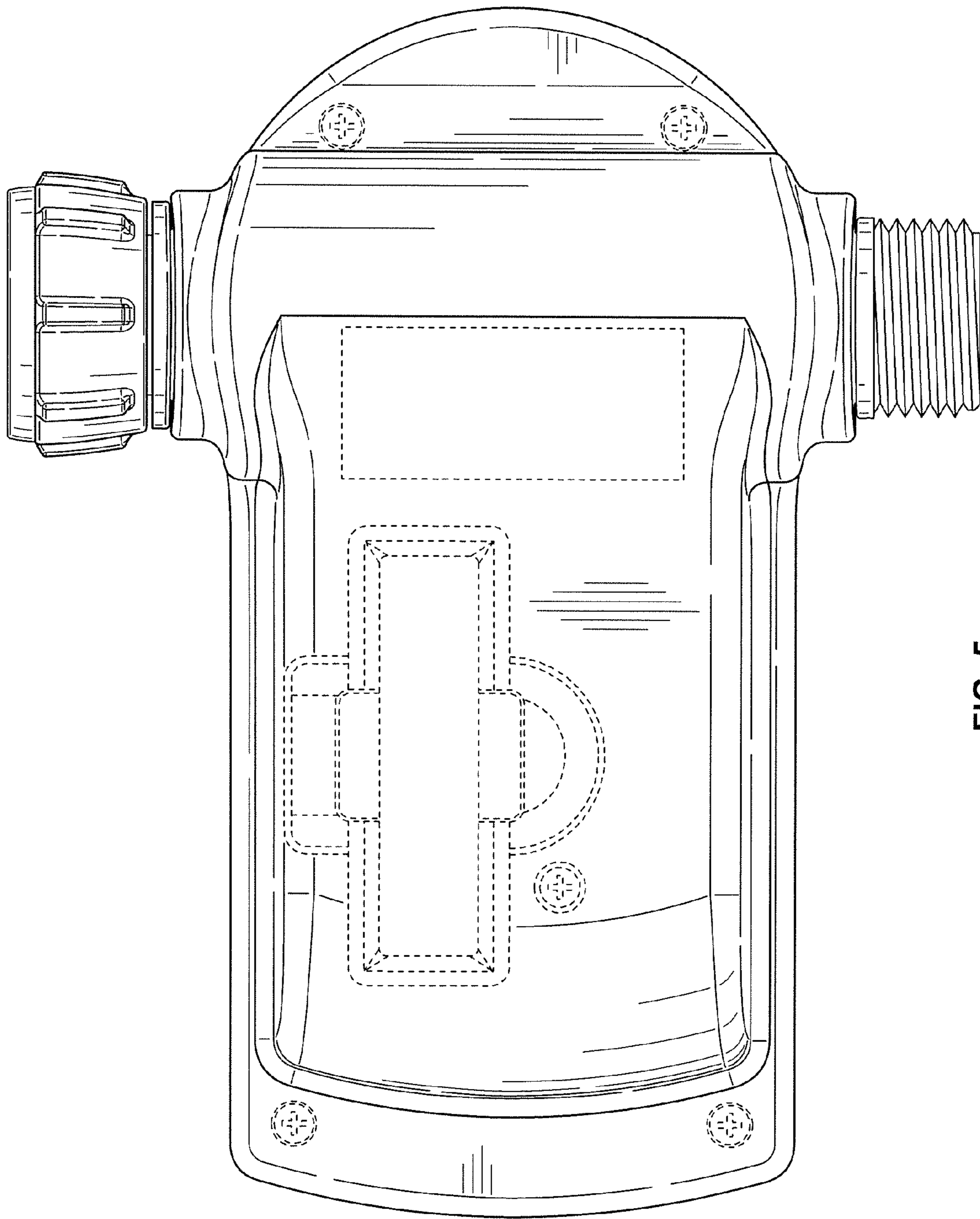


FIG. 5

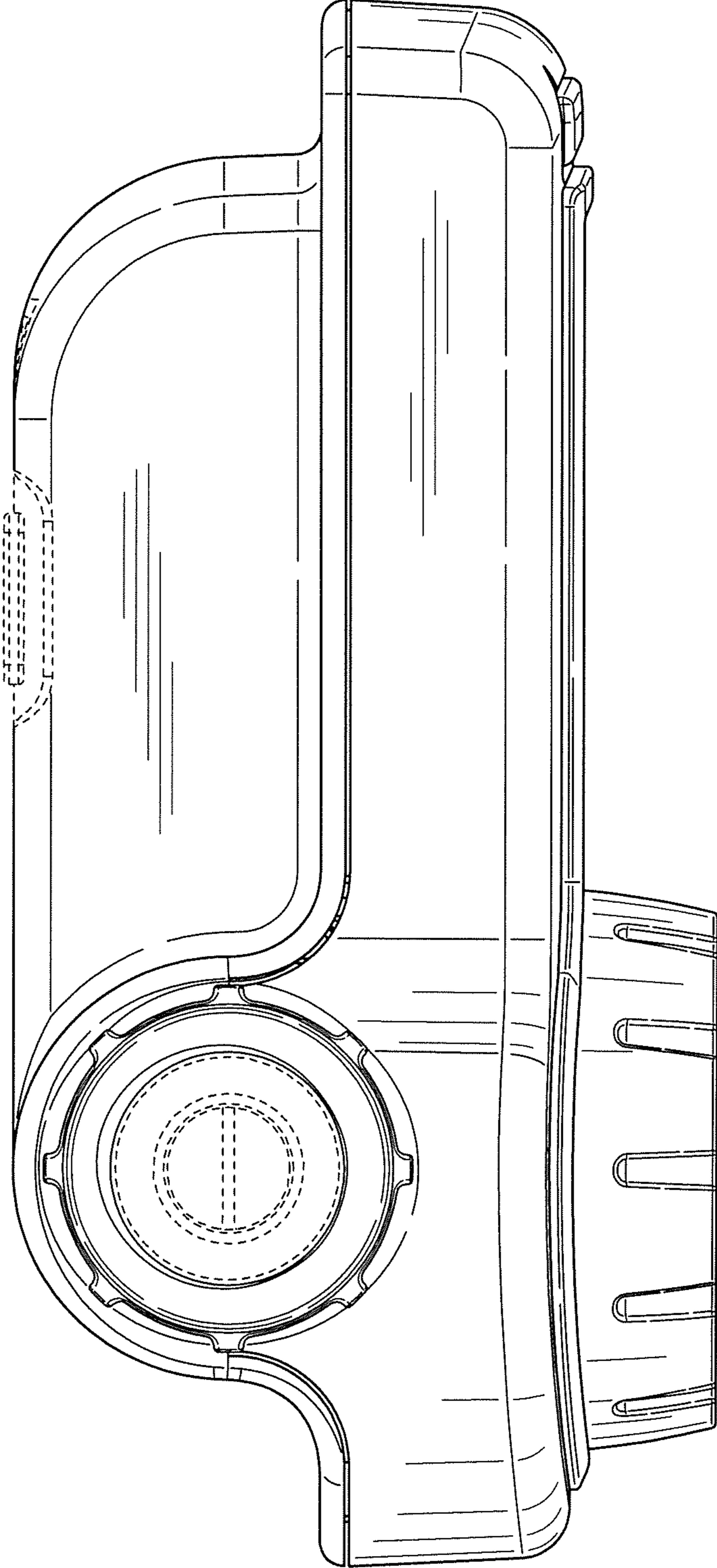


FIG. 6

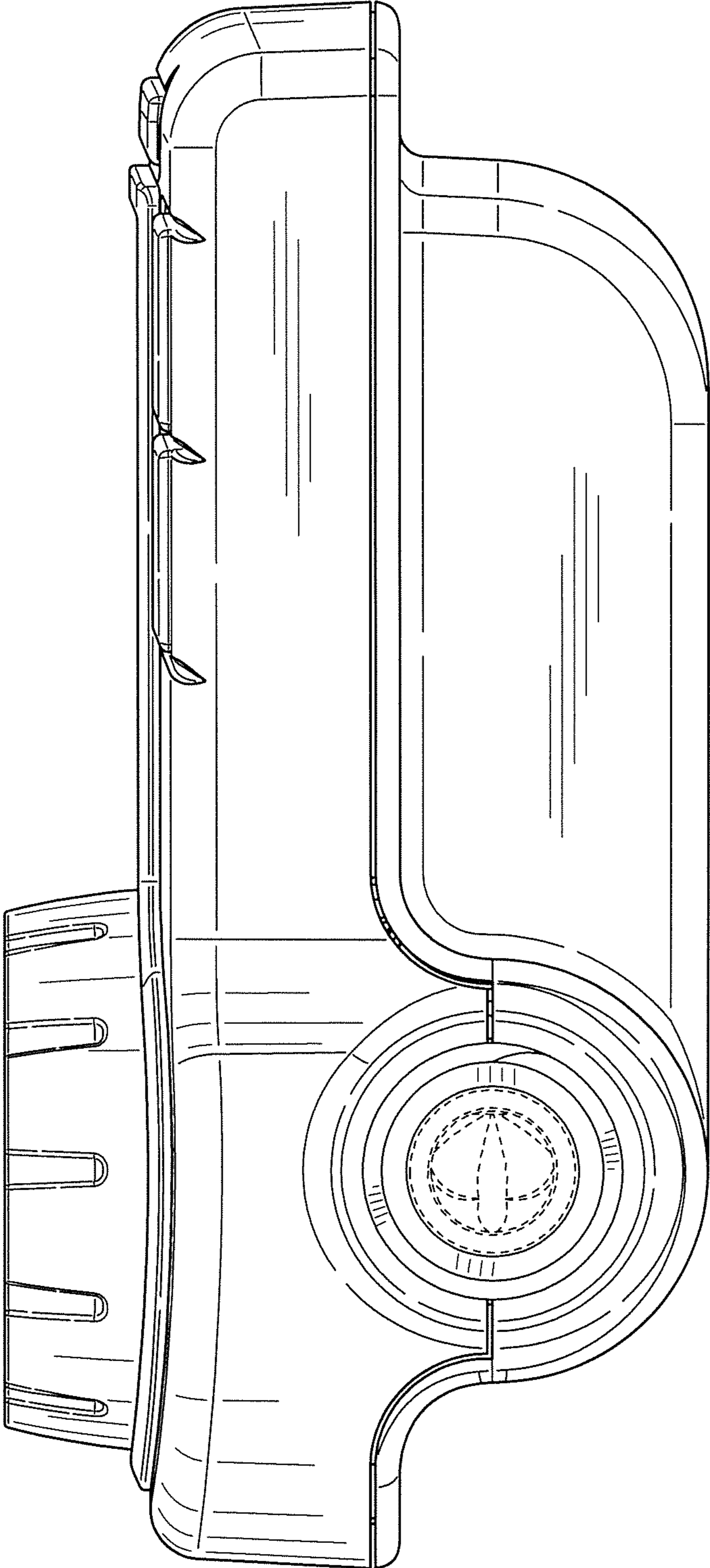


FIG. 7