



US00D682713S

(12) **United States Design Patent**  
**Vaptzarof**

(10) **Patent No.:** **US D682,713 S**

(45) **Date of Patent:** **\*\* May 21, 2013**

(54) **WATCH**

(75) **Inventor:** **Philippe Vaptzarof, L'abbaye (CH)**

(73) **Assignee:** **HUBLLOT SA, Geneve, Geneva (CH)**

(\*\*) **Term:** **14 Years**

(21) **Appl. No.:** **29/428,888**

(22) **Filed:** **Aug. 3, 2012**

(30) **Foreign Application Priority Data**

Feb. 7, 2012 (WO) ..... DM/077 675

(51) **LOC (9) Cl.** ..... **10-02**

(52) **U.S. Cl.**  
USPC ..... **D10/39**

(58) **Field of Classification Search** ..... D10/30-39,  
D10/122-132; 368/276, 281, 282, 223, 228,  
368/232, 288-290, 306, 319

See application file for complete search history.

(56) **References Cited**

**U.S. PATENT DOCUMENTS**

D321,145 S	*	10/1991	Takahashi	.....	D10/39
D322,411 S	*	12/1991	Schneider	.....	D10/39
D445,343 S	*	7/2001	Schneider	.....	D10/30
D555,515 S	*	11/2007	Krieger	.....	D10/31
D574,736 S	*	8/2008	Actis-Datta	.....	D10/38

D585,768 S	*	2/2009	Loth	.....	D10/39
D609,583 S	*	2/2010	Lalo	.....	D10/32
D610,473 S	*	2/2010	Goodman	.....	D10/38
D615,879 S	*	5/2010	Monachon	.....	D10/32
D637,095 S	*	5/2011	Vaptzarof	.....	D10/38
D640,146 S	*	6/2011	Tedeschi	.....	D10/39
D642,075 S	*	7/2011	Crocco	.....	D10/39
D644,943 S	*	9/2011	Crocco	.....	D10/39
D649,481 S	*	11/2011	Crocco	.....	D10/39
D652,326 S	*	1/2012	Kummer	.....	D10/38
D656,045 S	*	3/2012	Calce	.....	D10/39
D656,417 S	*	3/2012	Monachon	.....	D10/39
D658,511 S	*	5/2012	Wai Kei	.....	D10/32
D668,971 S	*	10/2012	Tedeschi	.....	D10/39

\* cited by examiner

*Primary Examiner* — Lucy Lieberman

(74) *Attorney, Agent, or Firm* — Sughrue Mion, PLLC

(57) **CLAIM**

The ornamental design for a watch, as shown and described.

**DESCRIPTION**

FIG. 1 is a bottom, front and side perspective view of a watch showing my new design;

FIG. 2 is a front elevational view thereof;

FIG. 3 is a rear elevational view thereof;

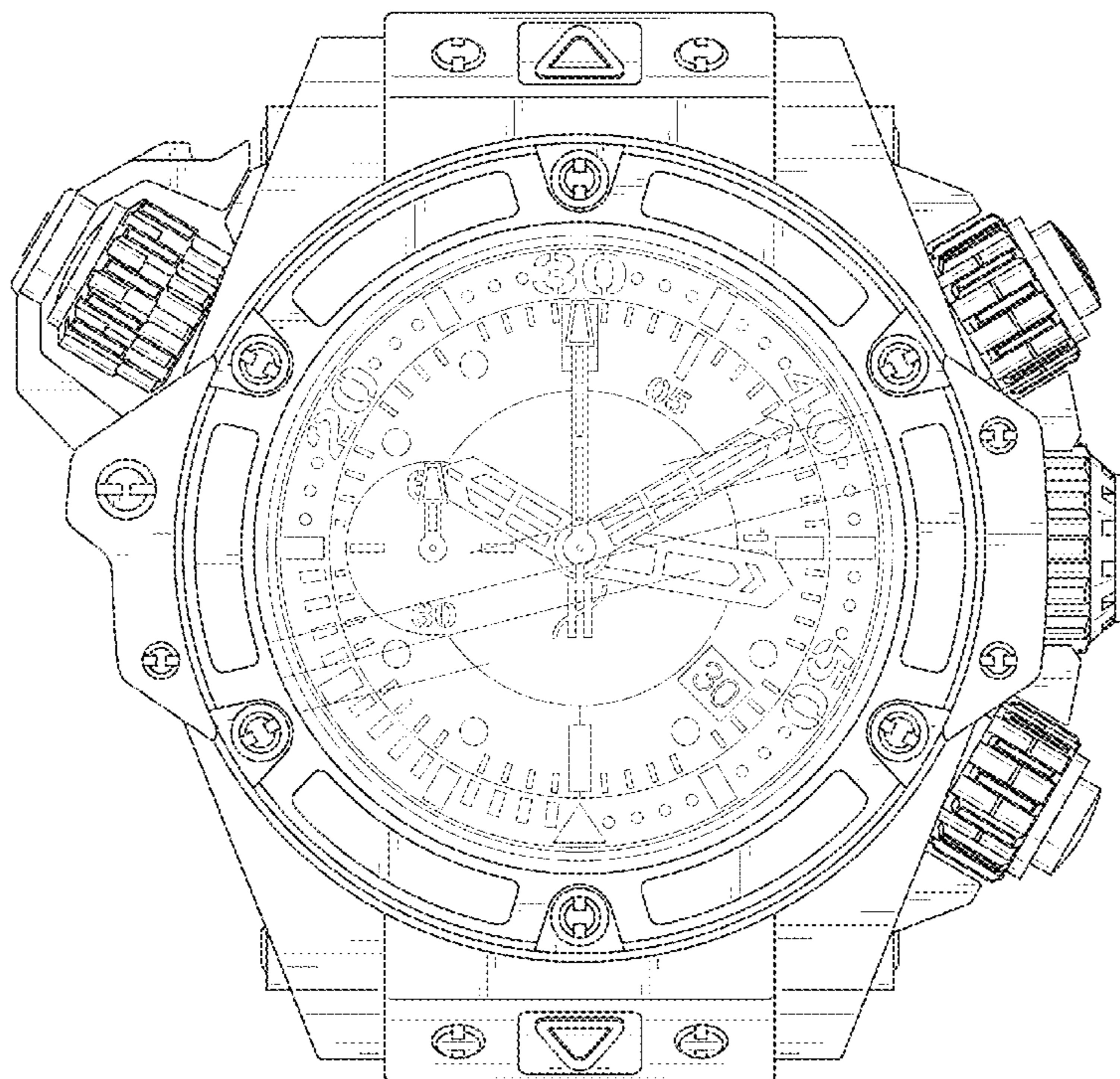
FIG. 4 is a left side elevational view thereof;

FIG. 5 is a right side elevational view thereof;

FIG. 6 is a top plan view thereof; and,

FIG. 7 is a bottom plan view.

**1 Claim, 5 Drawing Sheets**



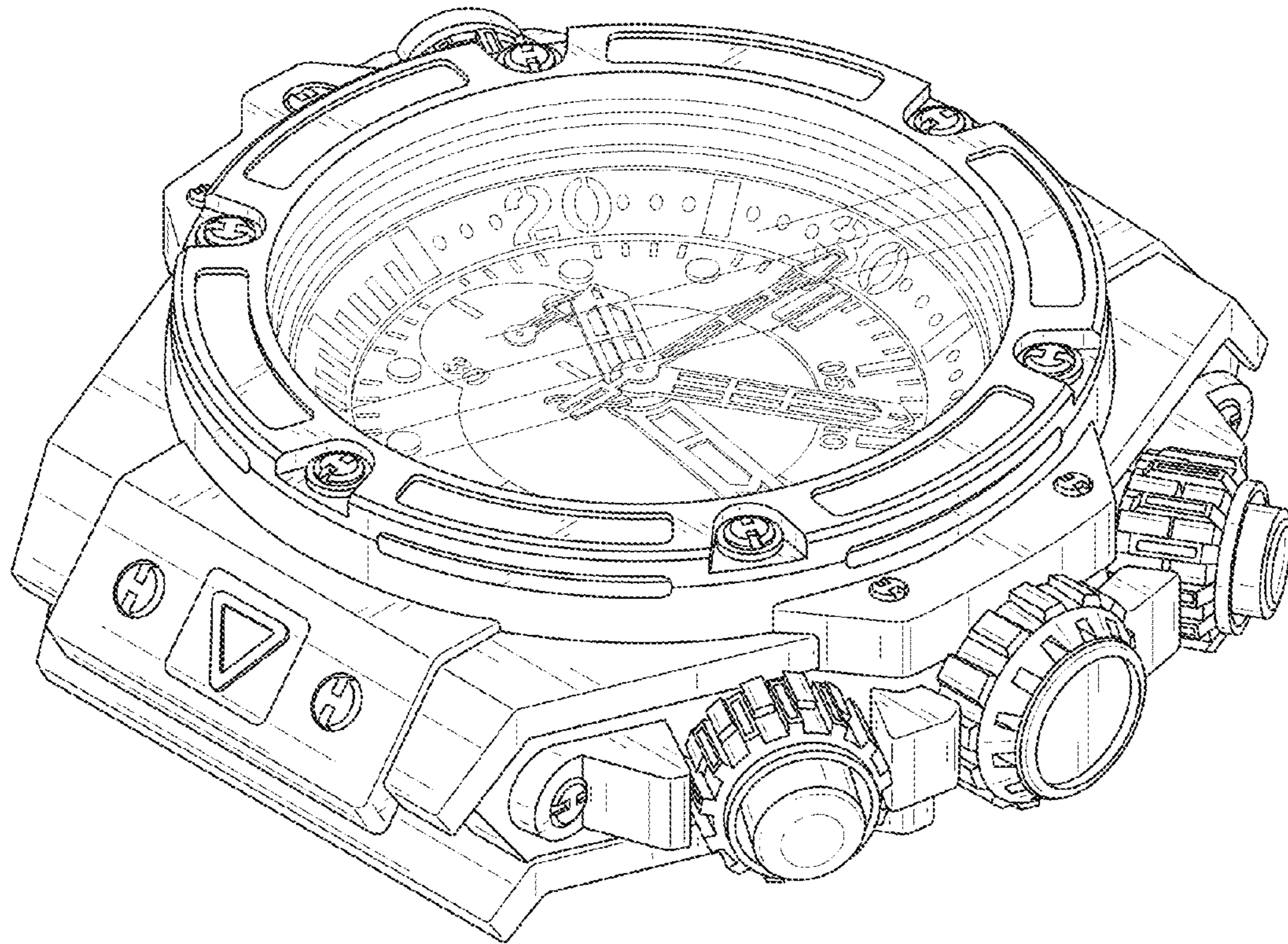


FIG. 1



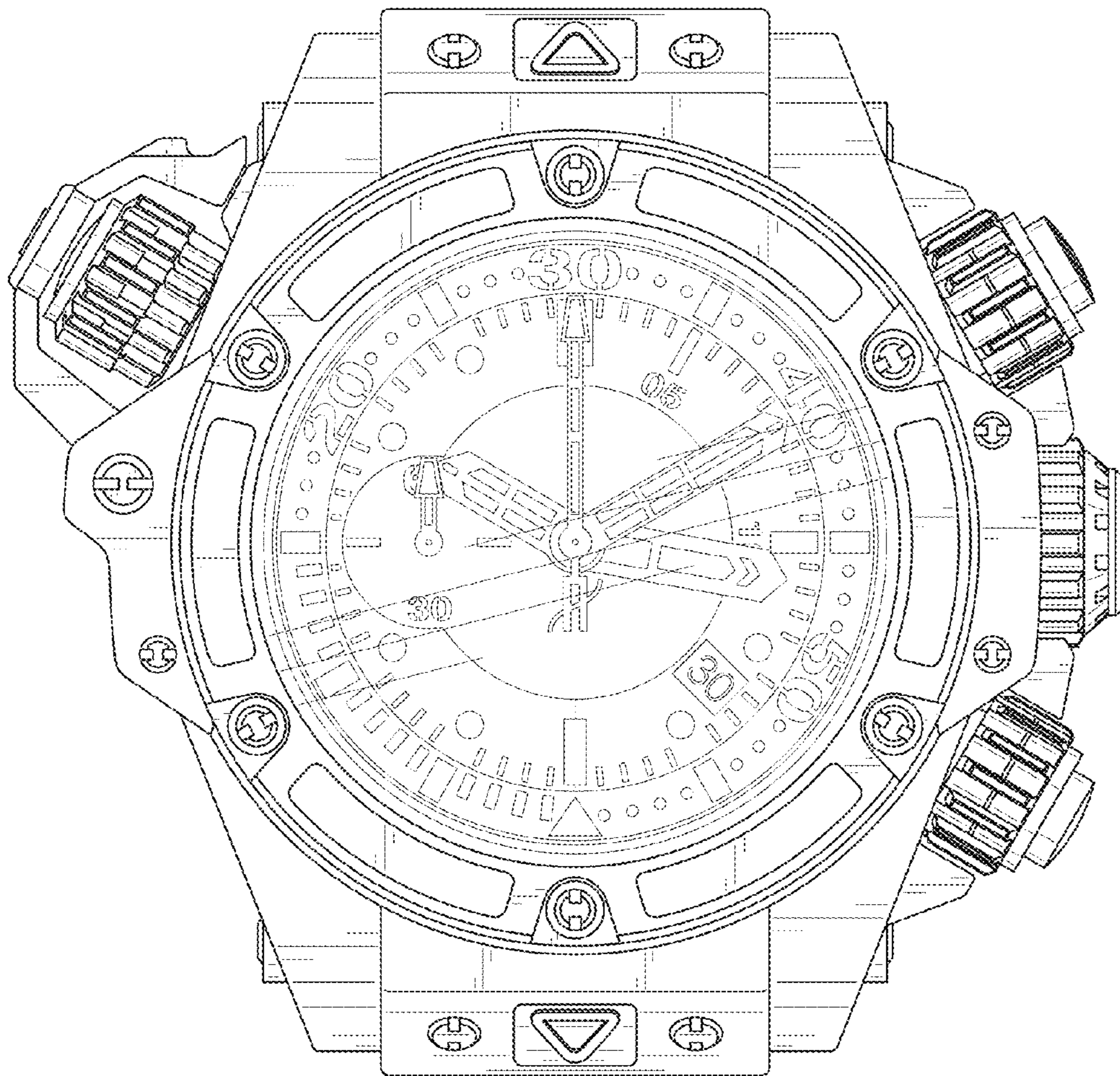


FIG. 2

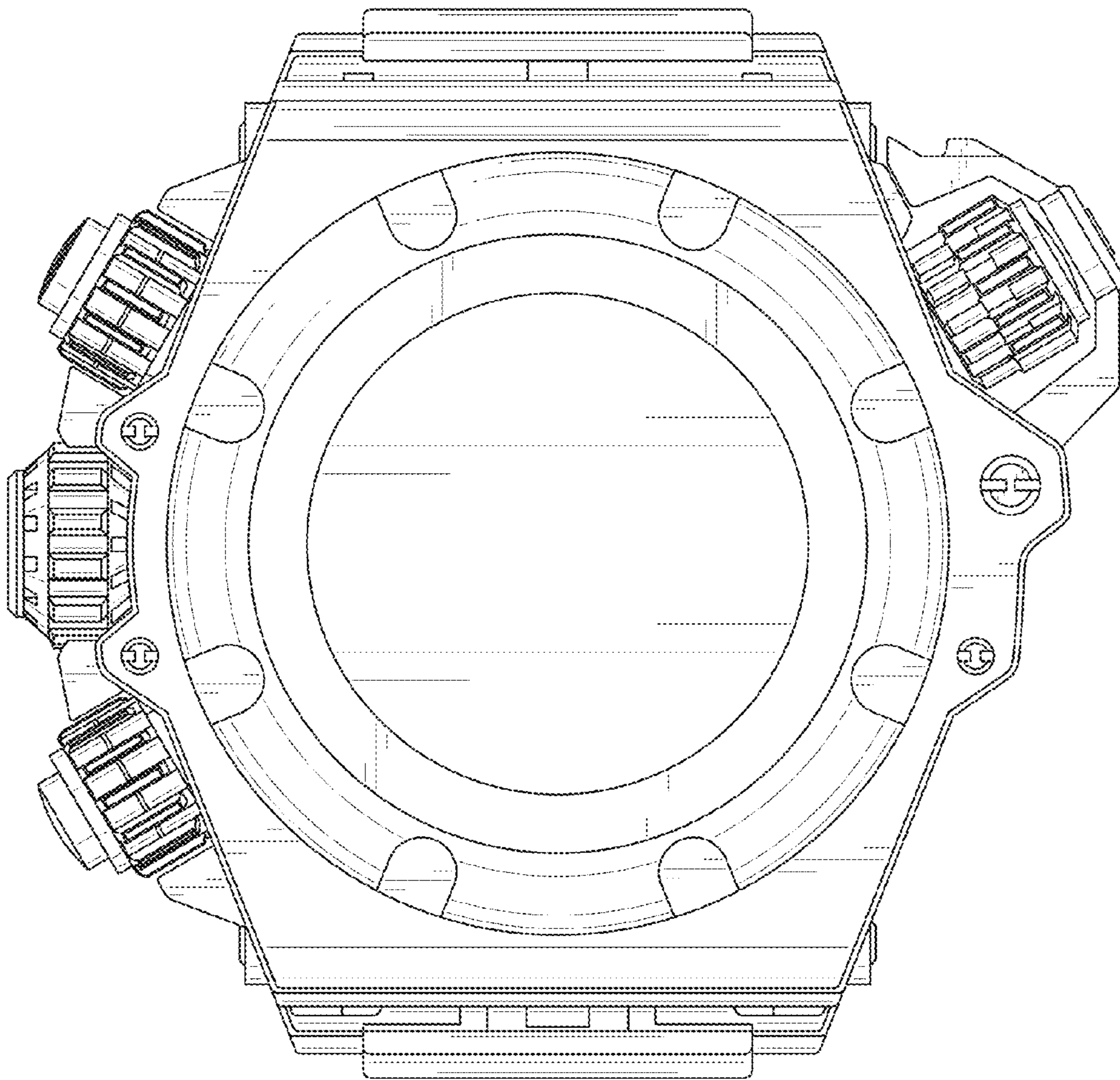


FIG. 3

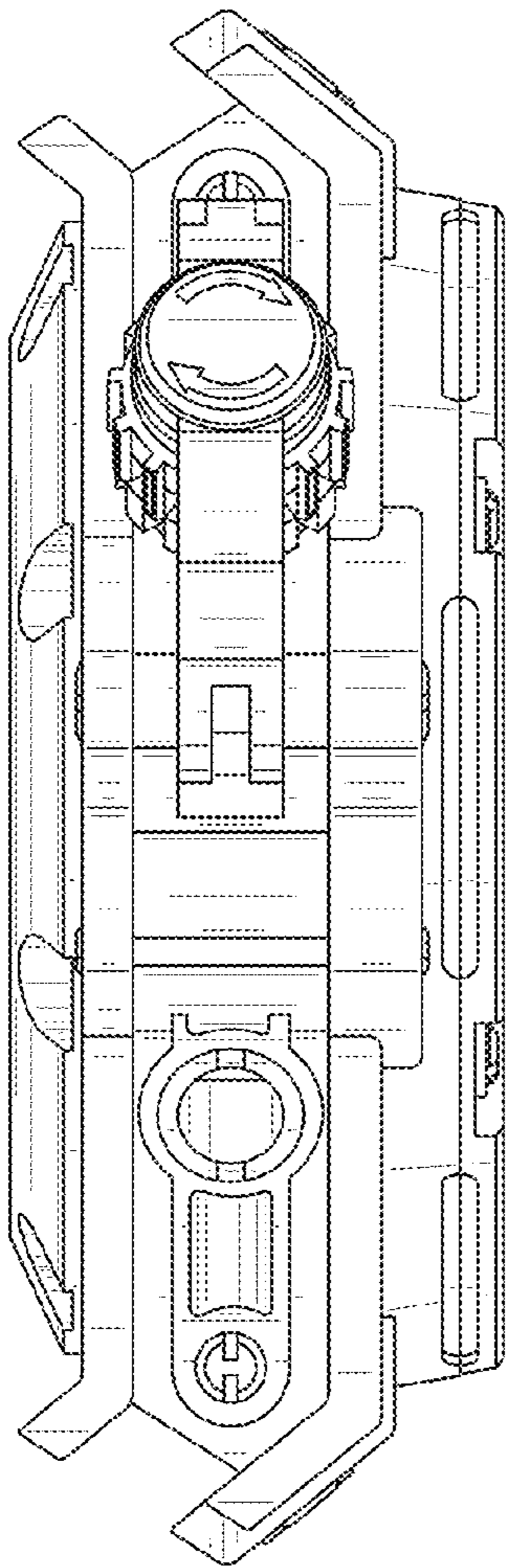


FIG. 4

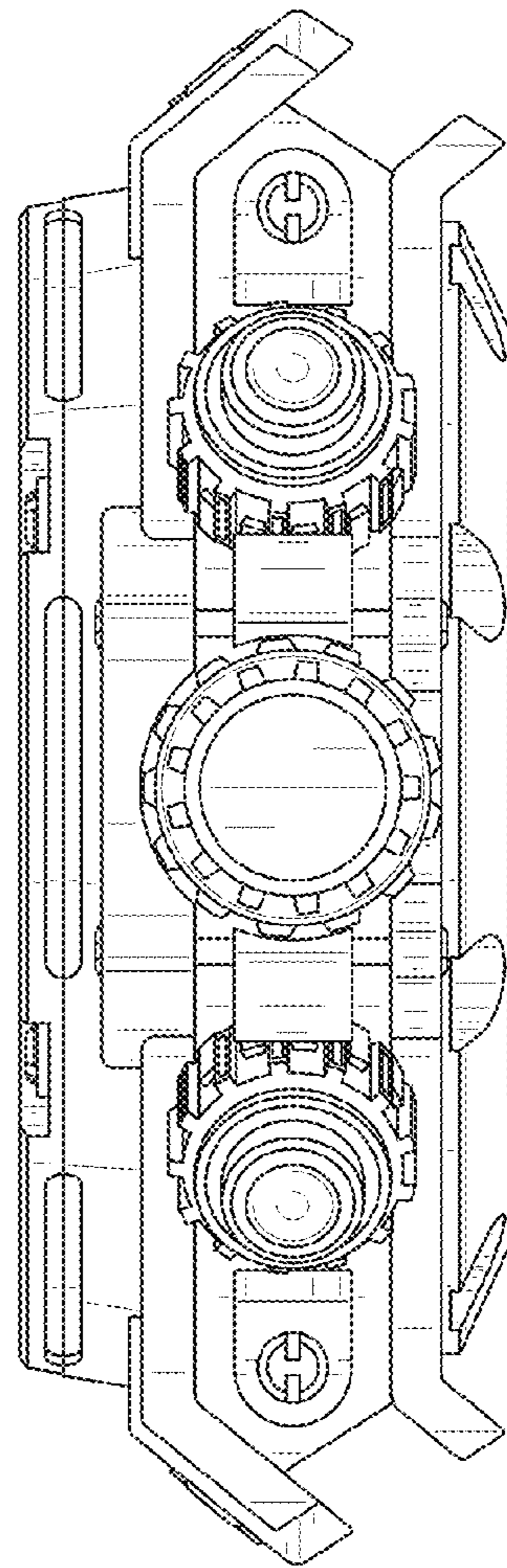


FIG. 5



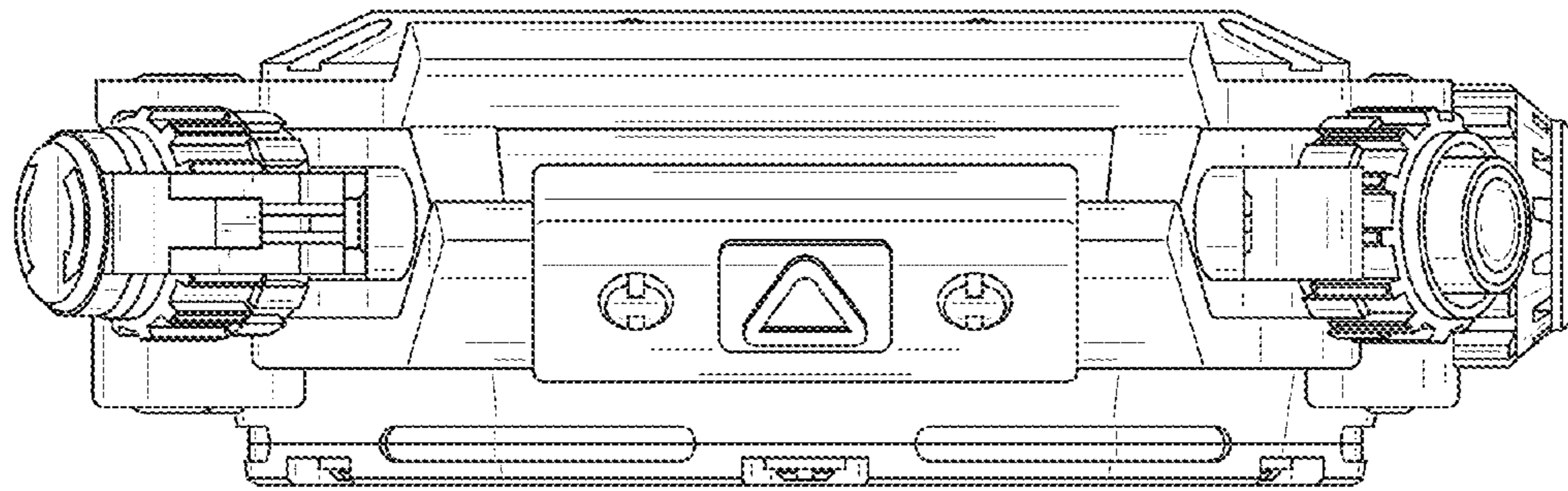


FIG. 6

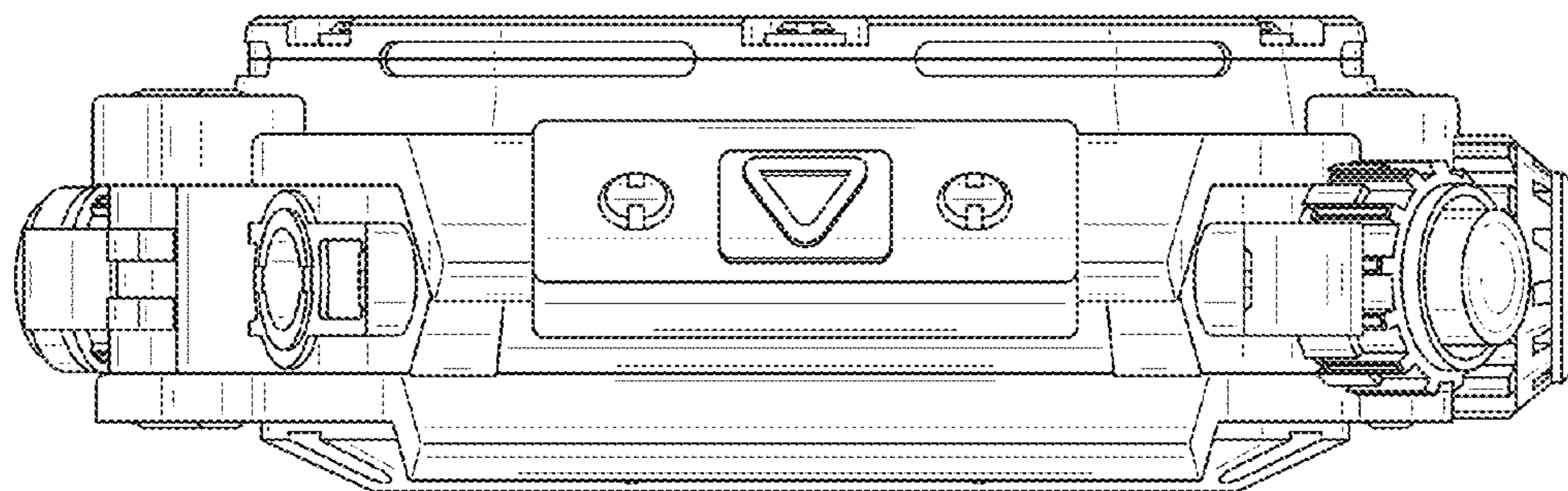


FIG. 7