



US00D682712S

(12) **United States Design Patent**
Lammers-Meis et al.

(10) **Patent No.:** **US D682,712 S**
(45) **Date of Patent:** **** May 21, 2013**

(54) **WATCH**

(75) Inventors: **David F. Lammers-Meis**, Olathe, KS
(US); **Todd P. Register**, Olathe, KS (US)

(73) Assignee: **Garmin Switzerland GmbH** (CH)

(**) Term: **14 Years**

(21) Appl. No.: **29/422,460**

(22) Filed: **May 21, 2012**

(51) **LOC (9) Cl.** **10-02**

(52) **U.S. Cl.**

USPC **D10/38**

(58) **Field of Classification Search** D10/30–39,
D10/122–132; 368/276, 281, 282, 285, 294,
368/295

See application file for complete search history.

(56) **References Cited**

U.S. PATENT DOCUMENTS

D222,784	S	*	12/1971	Granges	D10/39
3,733,809	A	*	5/1973	Reiter et al.	368/232
3,740,944	A	*	6/1973	Chopard	368/281
3,901,023	A	*	8/1975	Uebelhardt	368/281
D317,265	S	*	6/1991	Giolla et al.	D10/39
5,226,023	A	*	7/1993	Grimm	368/223
D417,158	S	*	11/1999	Krauss	D10/30
D459,241	S	*	6/2002	Bodino	D10/32
D471,115	S	*	3/2003	Buechner	D10/39
6,577,558	B1	*	6/2003	Ricci	368/228
D504,624	S	*	5/2005	Bodino	D10/39
D538,182	S	*	3/2007	Lalo	D10/32
D573,486	S	*	7/2008	Sanz	D10/38
D585,310	S	*	1/2009	Allison	D10/39
D592,975	S	*	5/2009	Markl	D10/32
D607,346	S	*	1/2010	Bove et al.	D10/38
D610,922	S	*	3/2010	Lammers-Meis et al.	10/32
D633,812	S	*	3/2011	Yurman	D10/32
D658,079	S	*	4/2012	Emch	D10/38

D658,518	S	*	5/2012	Behling	D10/39
D660,727	S	*	5/2012	Parmigiani	D10/38
D664,865	S	*	8/2012	Luk Ying Yee	D10/38

OTHER PUBLICATIONS

Printout from <http://www.lindewerdelin.com/products/watches/spidolite>, published prior to May 21, 2012.
U.S. Appl. No. 29/389,601, filed Apr. 6, 2011.
Garmin Forerunner 610, published Mar. 2011.
Garmin Forerunner 405, published Jan. 2008.
Suunto Core, published prior to May 21, 2012.
Suunto Elementum, published prior to May 21, 2012.
Suunto X10, published prior to May 21, 2012.
Timex eCompass, published prior to May 21, 2012.
Tissot Touch Around, published prior to May 21, 2012.

* cited by examiner

Primary Examiner — Lucy Lieberman

(74) *Attorney, Agent, or Firm* — Samuel M. Korte;
Mohammad M. Ali

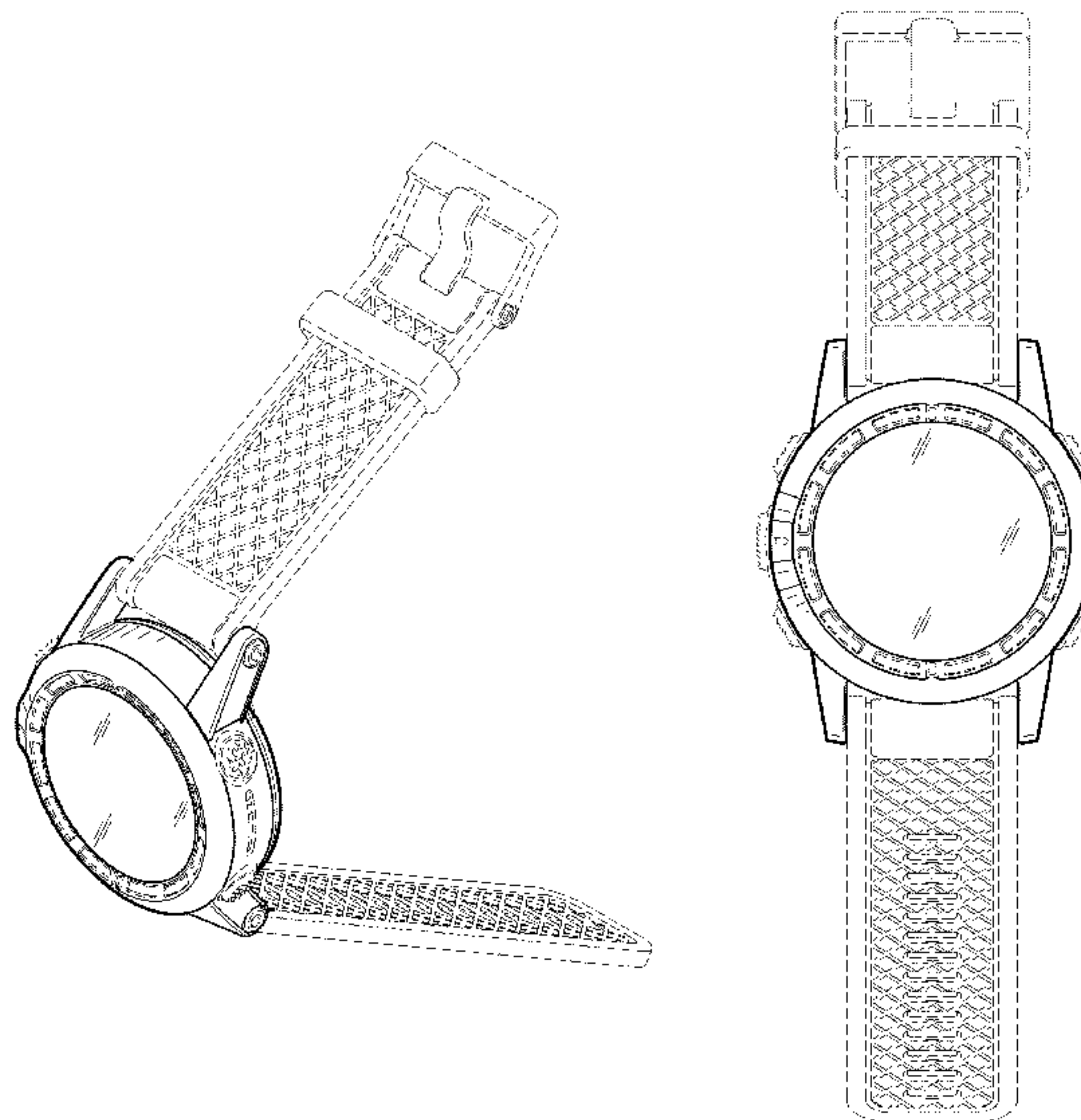
(57) **CLAIM**

The ornamental design for a watch, as shown and described.

DESCRIPTION

FIG. 1 is a front perspective view of a watch showing our new design;
FIG. 2 is a rear perspective view of the watch;
FIG. 3 is a top view of the watch;
FIG. 4 is a left side view of the watch;
FIG. 5 is a right side view of the watch;
FIG. 6 is a bottom view of the watch;
FIG. 7 is a front view of the watch; and,
FIG. 8 is a rear view of the watch.
Portions of FIGS. 1 through 8 are shown in dashed lines for illustrative purposes only and form no part of the claimed design.

1 Claim, 4 Drawing Sheets



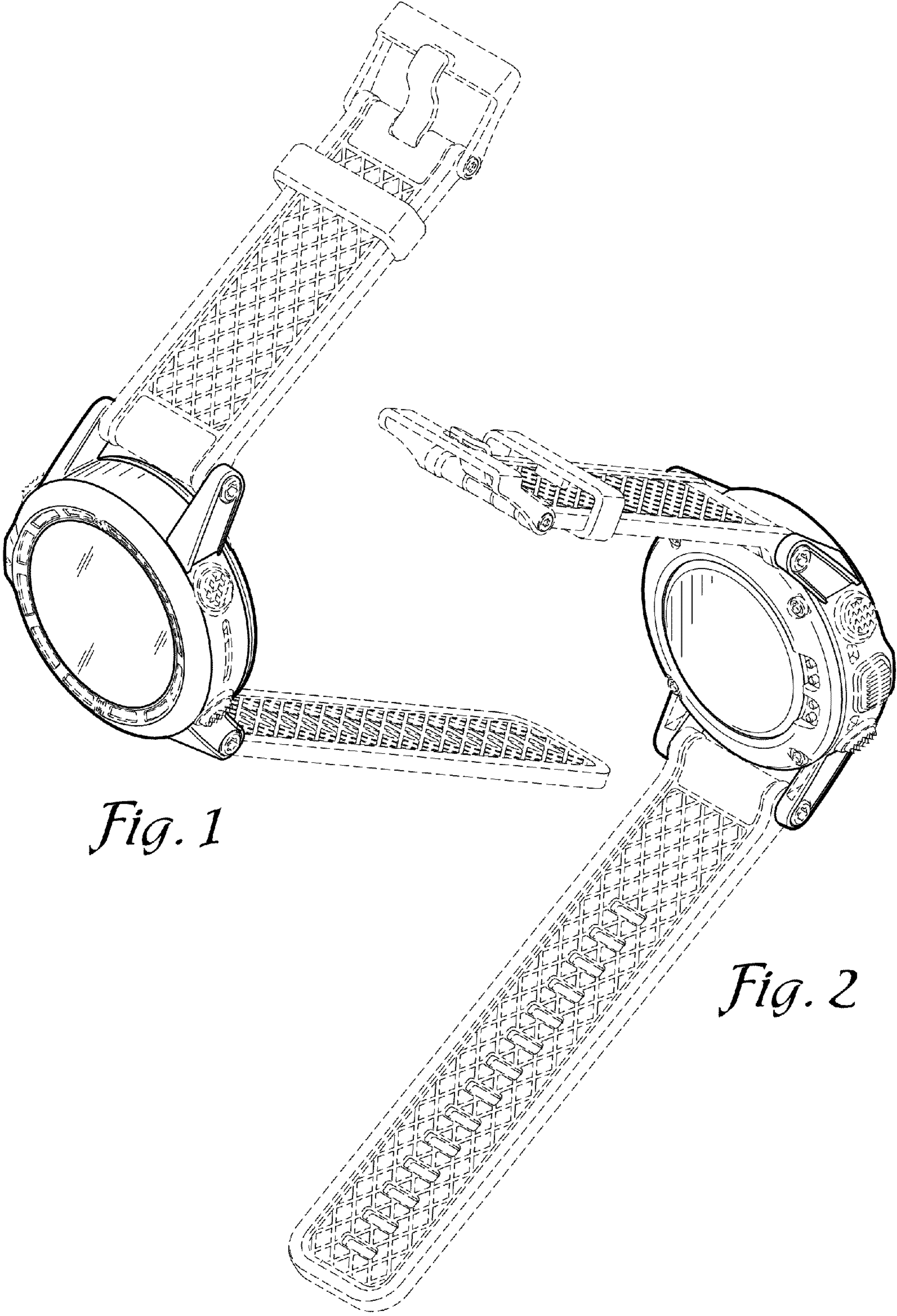


Fig. 1

Fig. 2

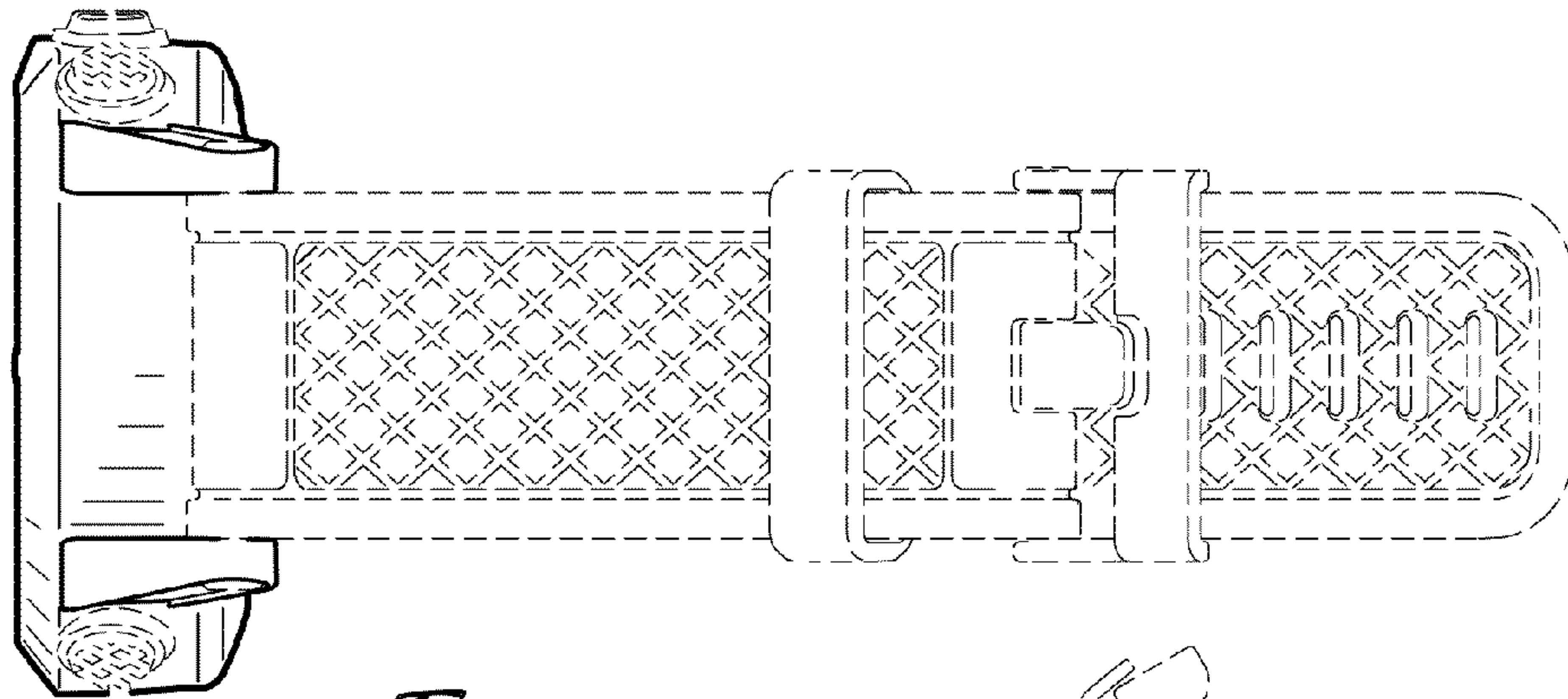


Fig. 3

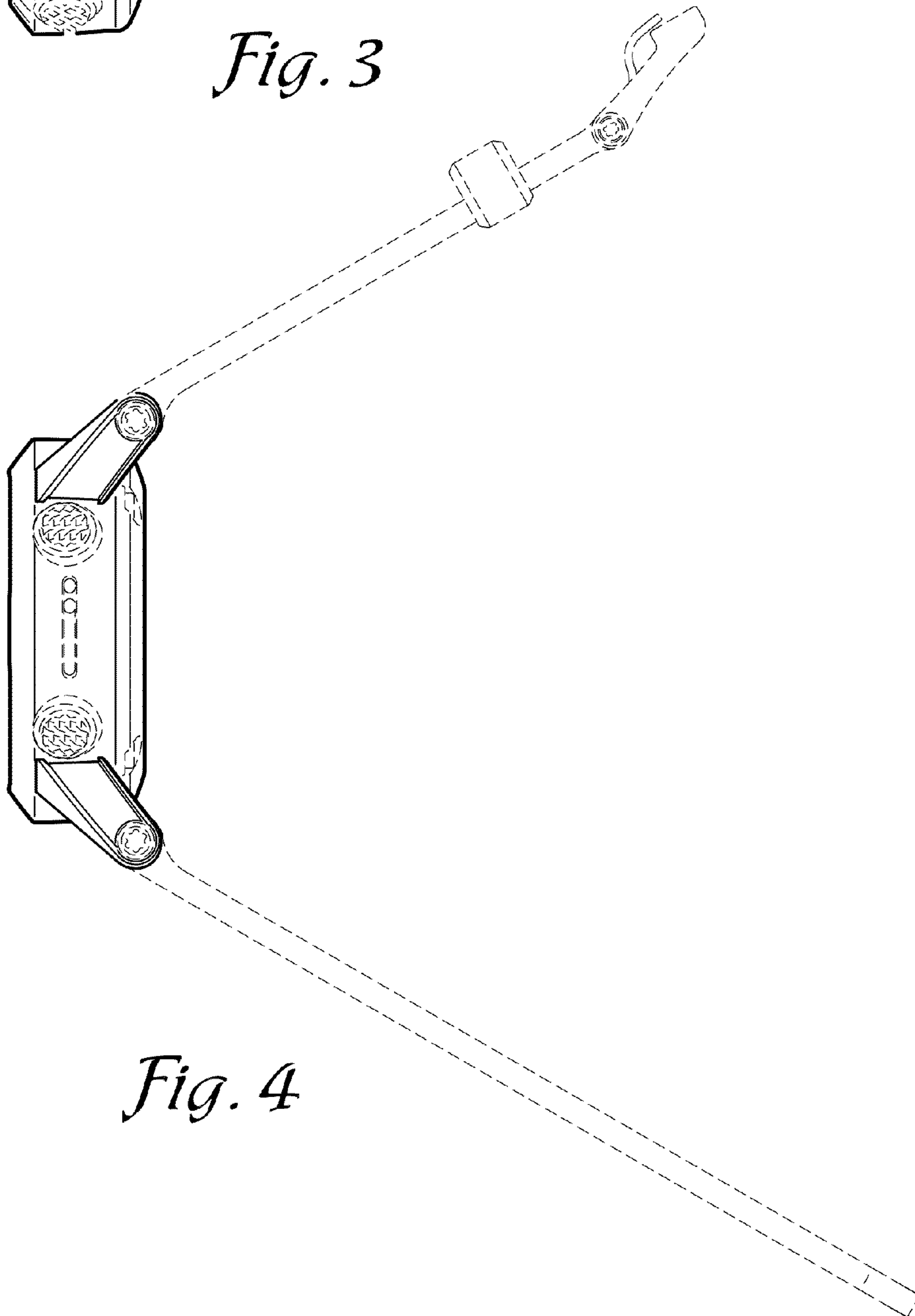


Fig. 4

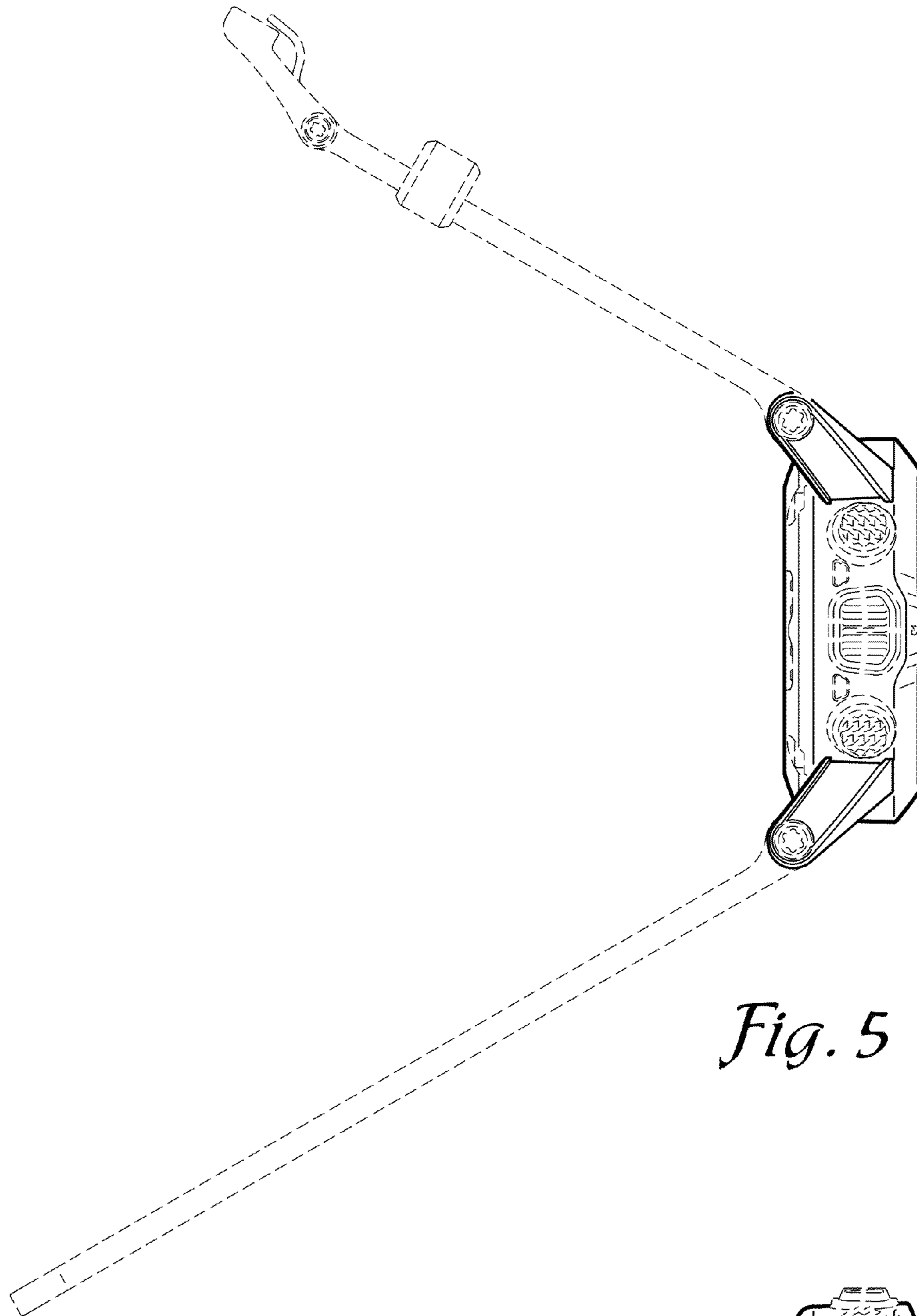


Fig. 5

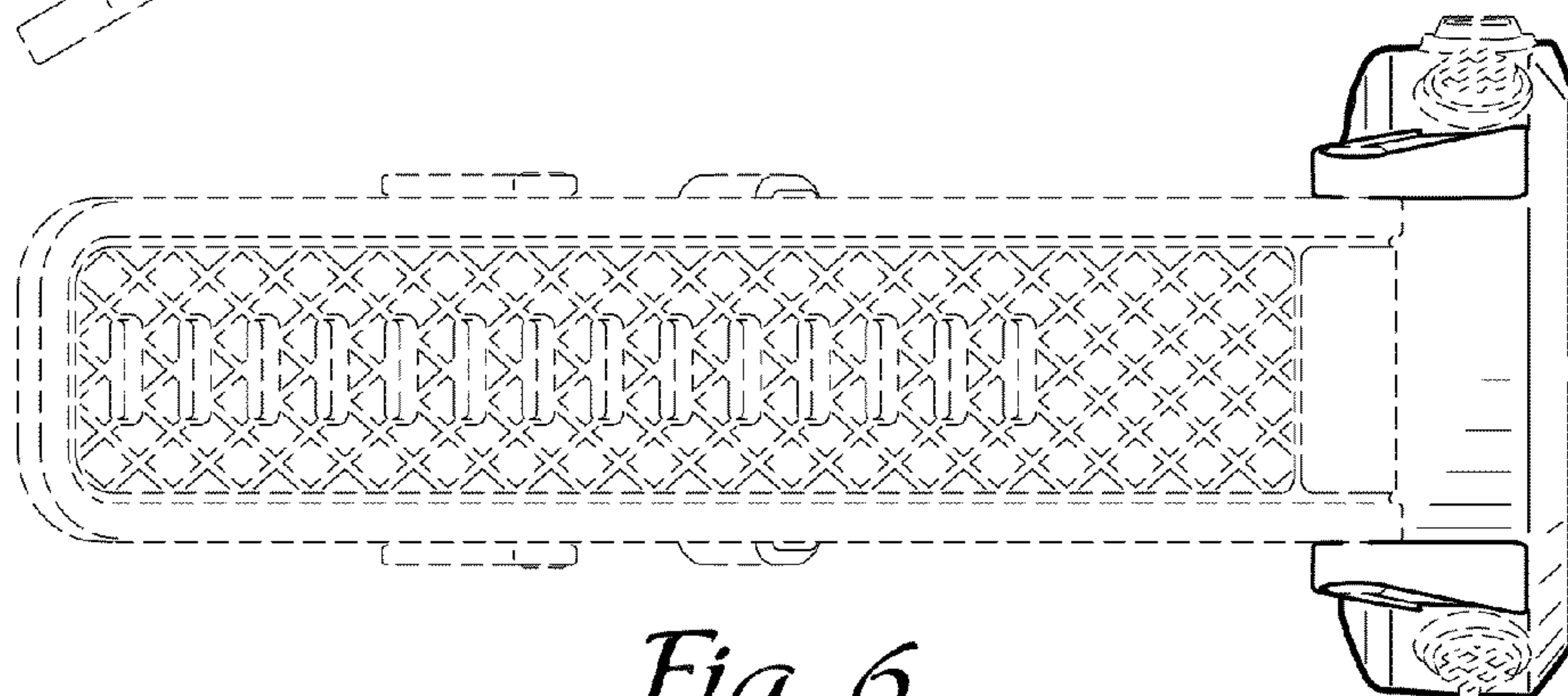


Fig. 6

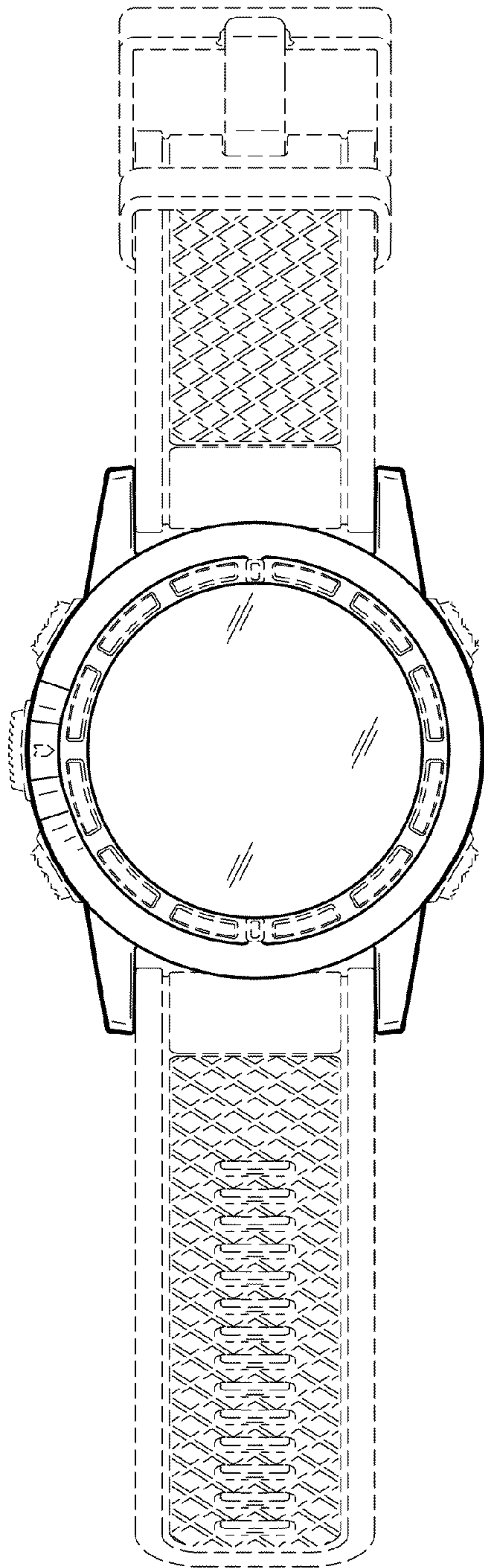


Fig. 7

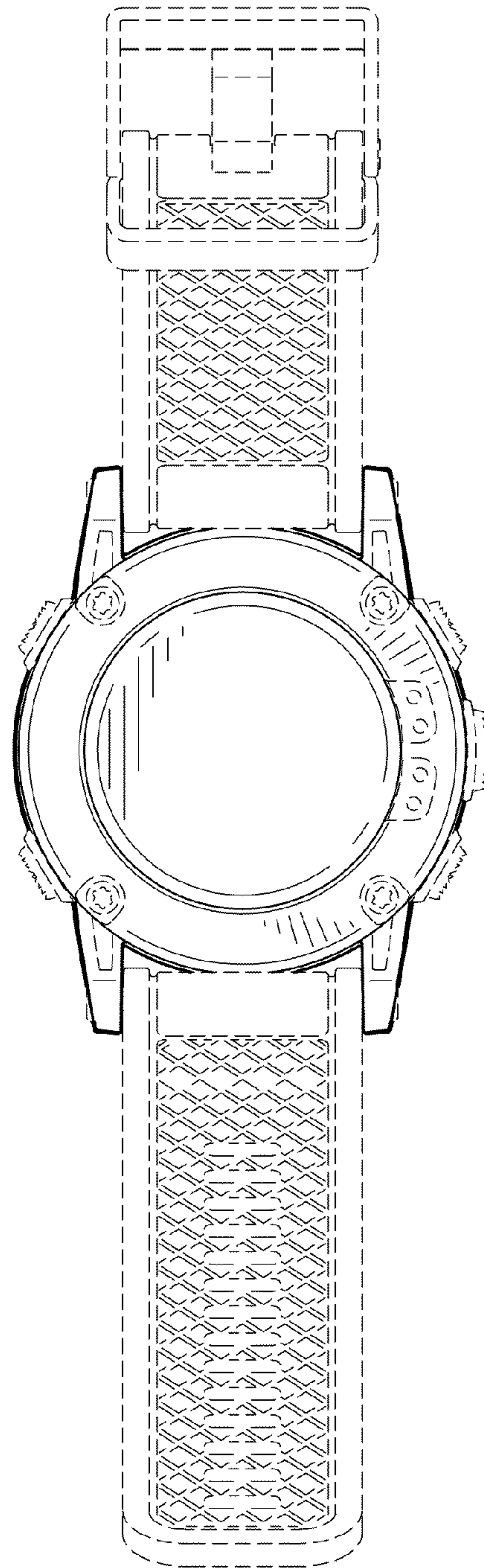


Fig. 8