



US00D682710S

(12) **United States Design Patent**  
**McDermott et al.**

(10) **Patent No.:** **US D682,710 S**  
(45) **Date of Patent:** **\*\* May 21, 2013**

(54) **CONDIMENT CONTAINER**  
(75) Inventors: **Dave McDermott**, Wardington (GB);  
**Luc Vets**, Lille (BE)  
(73) Assignee: **H.J. Heinz Company**, Pittsburgh, PA  
(US)  
(\*\*) Term: **14 Years**

4,648,506 A 3/1987 Campbell  
4,673,085 A 6/1987 Badouard et al.  
4,717,046 A 1/1988 Brogli  
4,762,124 A 8/1988 Kerch et al.  
4,765,463 A 8/1988 Chanel  
4,863,036 A 9/1989 Heijenga  
4,871,091 A 10/1989 Preziosi  
4,872,597 A 10/1989 Hanafusa  
4,921,137 A 5/1990 Heijenga  
4,963,045 A 10/1990 Willcox  
4,989,419 A 2/1991 Brando et al.  
D317,690 S 6/1991 Thomsen

(21) Appl. No.: **29/406,217**

(Continued)

(22) Filed: **Nov. 10, 2011**

**FOREIGN PATENT DOCUMENTS**

(51) **LOC (9) Cl.** ..... **09-05**

FR 2801570 6/2001  
WO WO9728054 8/1997

(52) **U.S. Cl.**

(Continued)

USPC ..... **D9/707**

(58) **Field of Classification Search** ..... D9/702-714,  
D9/761, 414, 416, 418, 430-432, 438, 520-521,  
D9/695-699, 731-732; D7/328; 215/328;  
222/92, 105, 215, 145.1, 95, 183, 107; 383/9,  
383/22, 59-60, 901, 207, 209; D24/118,  
D24/207, 108, 104; 128/114.1, DIG. 24  
See application file for complete search history.

*Primary Examiner* — Caron D. Veynar  
*Assistant Examiner* — Abraham Bahta  
(74) *Attorney, Agent, or Firm* — Duane Morris LLP

(57) **CLAIM**

The ornamental design for a condiment container, as shown and described.

(56) **References Cited**

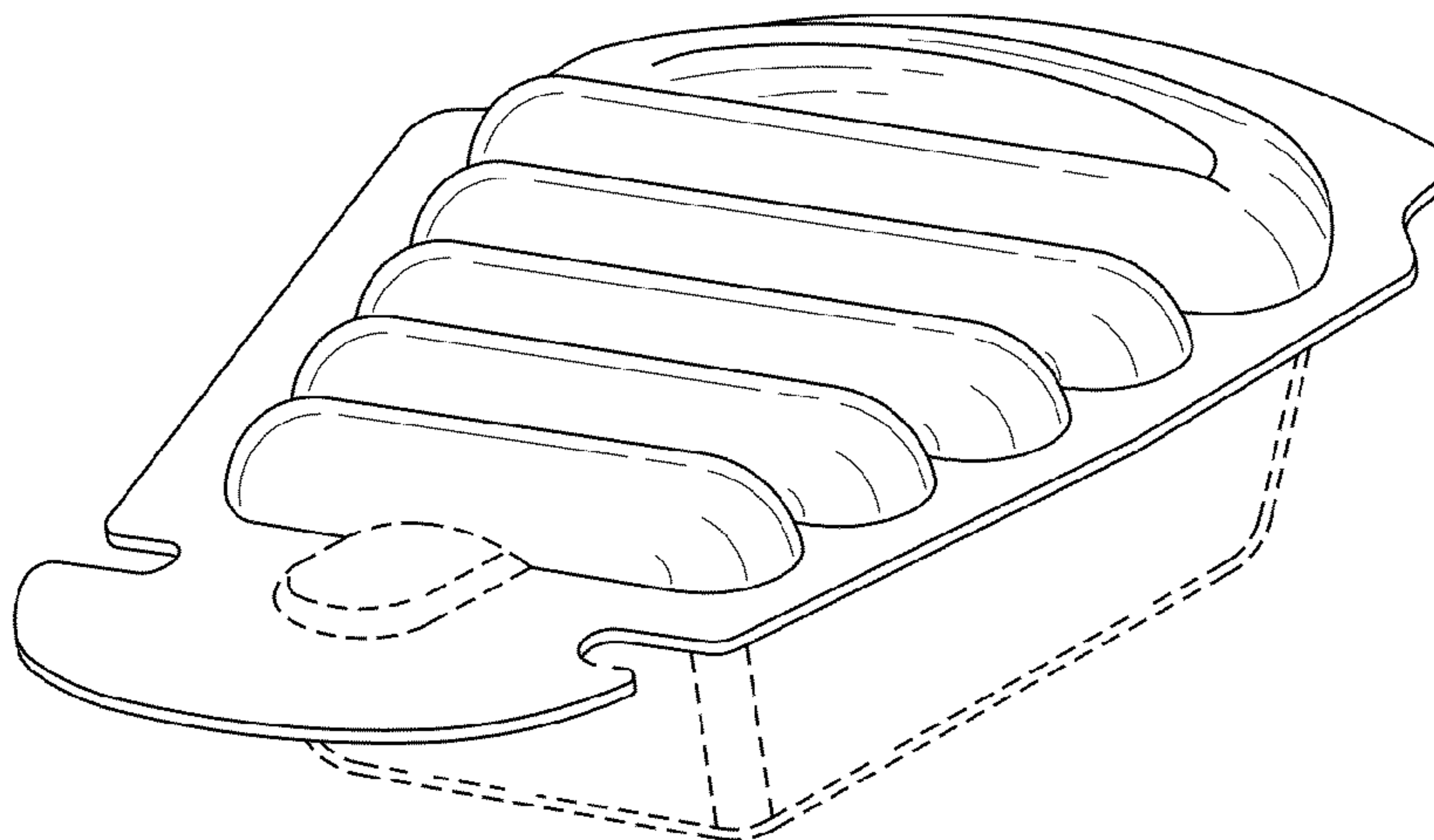
**DESCRIPTION**

**U.S. PATENT DOCUMENTS**

2,705,579 A 4/1955 Mason  
2,898,003 A 8/1959 Wilson et al.  
3,315,801 A 4/1967 Lowry  
3,370,757 A 2/1968 Foster  
3,407,969 A 10/1968 Klein et al.  
3,453,661 A 7/1969 Repko  
3,660,960 A 5/1972 Inman  
3,722,754 A 3/1973 Struble  
3,873,735 A 3/1975 Chalin et al.  
4,090,660 A 5/1978 Schram et al.  
4,301,926 A 11/1981 Chung  
4,463,869 A 8/1984 Lewis  
4,566,613 A 1/1986 Anscomb

FIG. 1 is a perspective view of the condiment container;  
FIG. 2 is a top view of the condiment container;  
FIG. 3 a bottom view of the condiment container;  
FIG. 4 is a front view of the condiment container, the left-side view being a mirror image thereof;  
FIG. 5 is a rear view of the condiment container; and  
FIG. 6 is a right-side view of the condiment container; and,  
FIG. 7 is a left-side view of the condiment container.  
The broken line showing of structure is for illustrative purposes only, and forms no part of the claimed design.

**1 Claim, 3 Drawing Sheets**



# US D682,710 S

Page 2

## U.S. PATENT DOCUMENTS

D318,795	S	8/1991	Christine
5,038,974	A	8/1991	DaCosta
5,111,932	A	5/1992	Campbell
5,141,136	A	8/1992	Tignor
5,156,329	A	10/1992	Farrell
D336,034	S	6/1993	Rebilas
5,235,149	A	8/1993	Boehrer
5,277,920	A	1/1994	Weaver, Jr.
D351,228	S	10/1994	Weiler et al.
D354,906	S	1/1995	Lane, Jr. et al.
5,411,178	A	5/1995	Roders et al.
D362,595	S	9/1995	Schneider
5,482,172	A	1/1996	Braddock
5,529,224	A	6/1996	Chan et al.
5,546,728	A	8/1996	Dekeyser
5,613,517	A	3/1997	Handler
5,662,245	A	9/1997	Grant
5,706,961	A	1/1998	Morano
5,799,838	A	9/1998	Miller
5,806,726	A	9/1998	Ho
5,839,609	A	11/1998	Zakensberg
D416,477	S	11/1999	Flint
5,996,845	A	12/1999	Chan
6,007,264	A	12/1999	Koptis
6,051,263	A	4/2000	Gorlich et al.
6,062,413	A	5/2000	Redmond
6,085,942	A	7/2000	Redmond
6,089,375	A	7/2000	Johnson et al.
D435,440	S	12/2000	Croft et al.
6,220,311	B1	4/2001	Litto
D442,078	S	5/2001	Fuquen
D448,661	S	10/2001	Kerr et al.
6,357,631	B1	3/2002	Zaksenberg
6,419,118	B1	7/2002	Rees et al.
6,435,374	B1	8/2002	Tabaroni
6,460,781	B1	10/2002	Garcia et al.
6,557,731	B1	5/2003	Lyon et al.
6,601,737	B1	8/2003	Sandler
6,648,140	B2	11/2003	Petricca
6,663,019	B2	12/2003	Garcia et al.
D484,972	S	1/2004	Steele, IV et al.

6,702,462	B2	3/2004	Richardson
6,811,057	B2	11/2004	Duquet et al.
6,854,888	B1	2/2005	Brown et al.
6,863,178	B2	3/2005	Sokolsky et al.
D505,861	S	6/2005	Risgalla
6,955,028	B1	10/2005	Dunaway
D512,648	S	12/2005	Smith et al.
7,004,322	B1	2/2006	Bartoli
D523,758	S	6/2006	Risgalla
D537,341	S	2/2007	Liebe et al.
RE39,520	E	3/2007	Hess, III et al.
D553,007	S	10/2007	Goodwin et al.
D555,011	S	11/2007	Spanjaard
D580,782	S	11/2008	Murray
7,506,762	B2	3/2009	Nelson et al.
D598,299	S	8/2009	Isogai et al.
D604,637	S	11/2009	Ueda
D621,719	S *	8/2010	Caldwell et al. .... D9/707
D628,903	S *	12/2010	Caldwell et al. .... D9/711
D632,565	S *	2/2011	Caldwell et al. .... D9/435
D632,566	S *	2/2011	Caldwell et al. .... D9/435
D632,567	S *	2/2011	Caldwell et al. .... D9/435
D632,570	S *	2/2011	Caldwell et al. .... D9/435
D634,643	S *	3/2011	Caldwell et al. .... D9/707
D641,642	S *	7/2011	Caldwell et al. .... D9/707
2001/0045374	A1	11/2001	Selker
2002/0100760	A1	8/2002	Rinks
2002/0148855	A1	10/2002	Sokolsky et al.
2003/0015605	A1	1/2003	Garcia et al.
2003/0183637	A1	10/2003	Zappa et al.
2006/0278562	A1	12/2006	Van Puijenbroek
2007/0034647	A1	2/2007	Patrick
2007/0164045	A1	7/2007	Wydler et al.
2007/0228073	A1	10/2007	Mazzarino
2010/0008602	A1	1/2010	Risgalla

## FOREIGN PATENT DOCUMENTS

WO	WO02070352	9/2002
WO	WO2004063048	7/2004
WO	WO2007126817	11/2007

\* cited by examiner

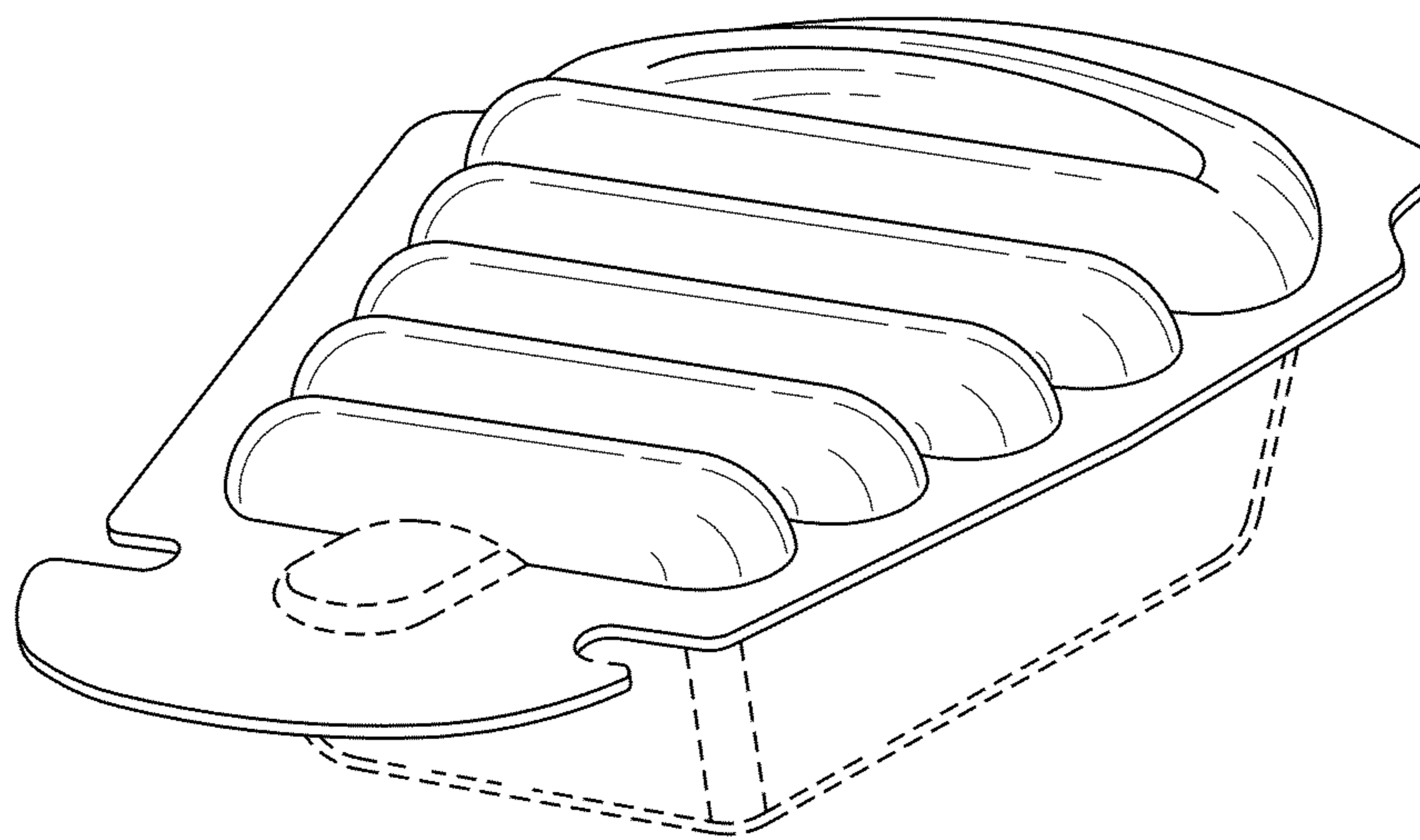


FIG. 1

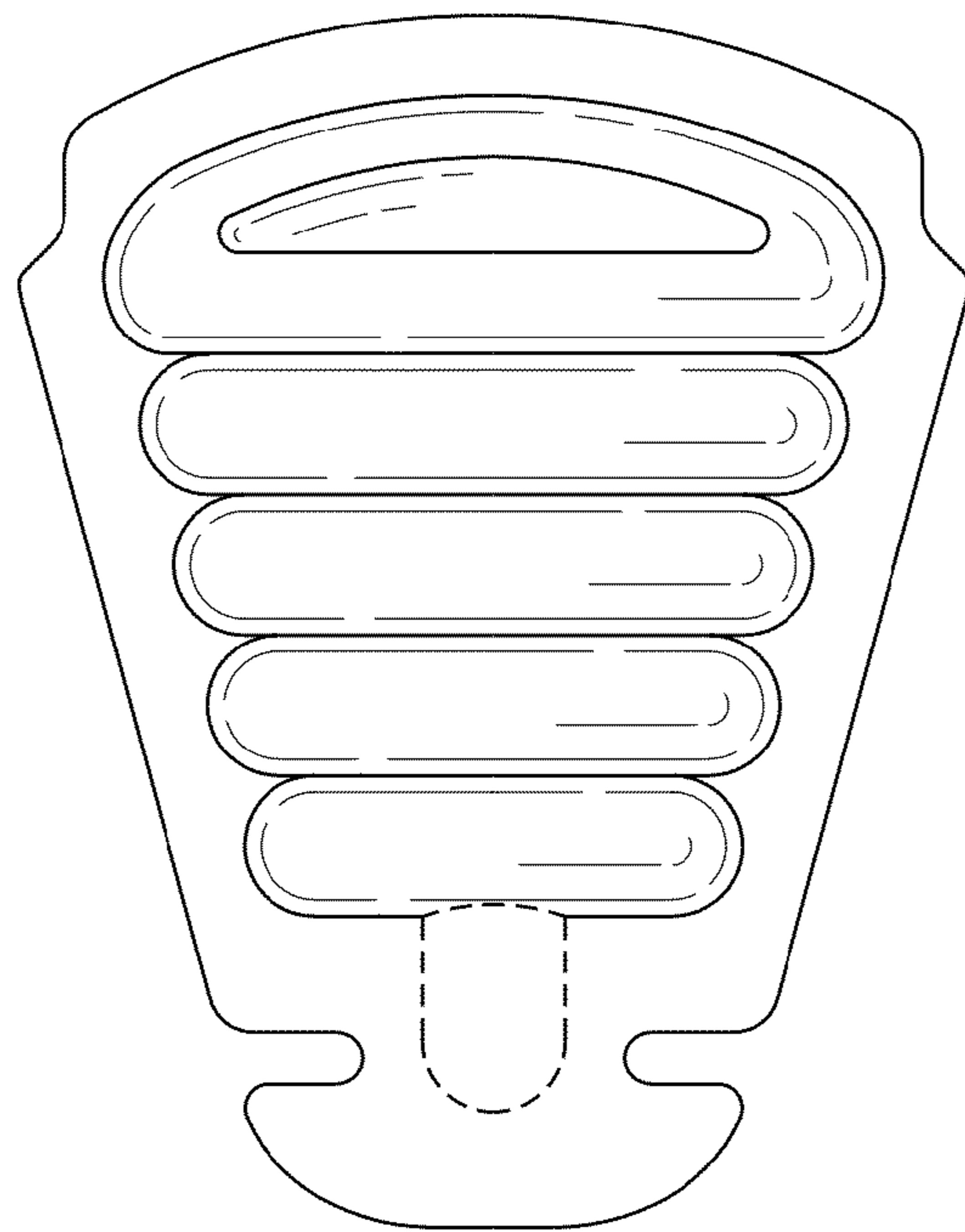


FIG. 2

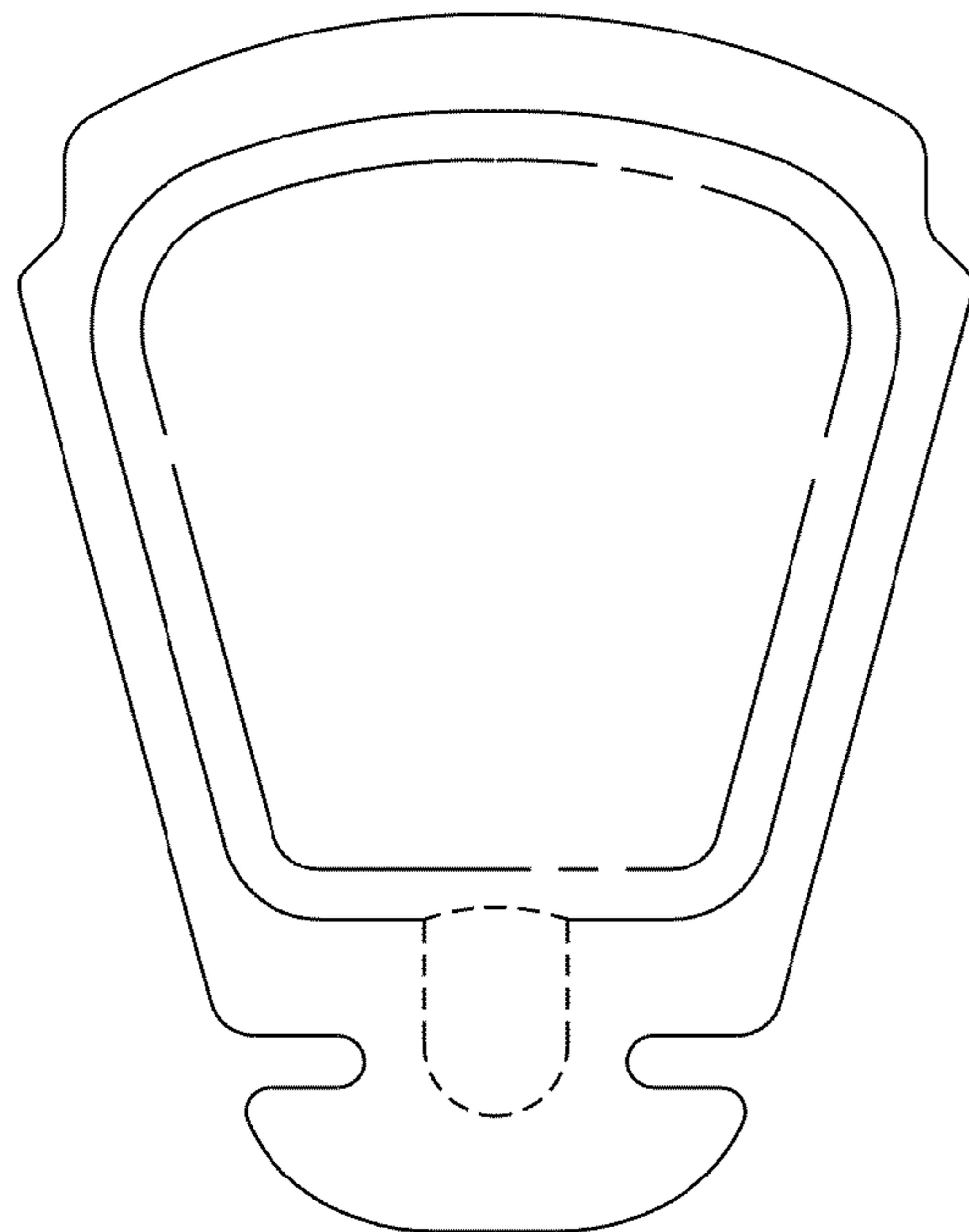


FIG. 3



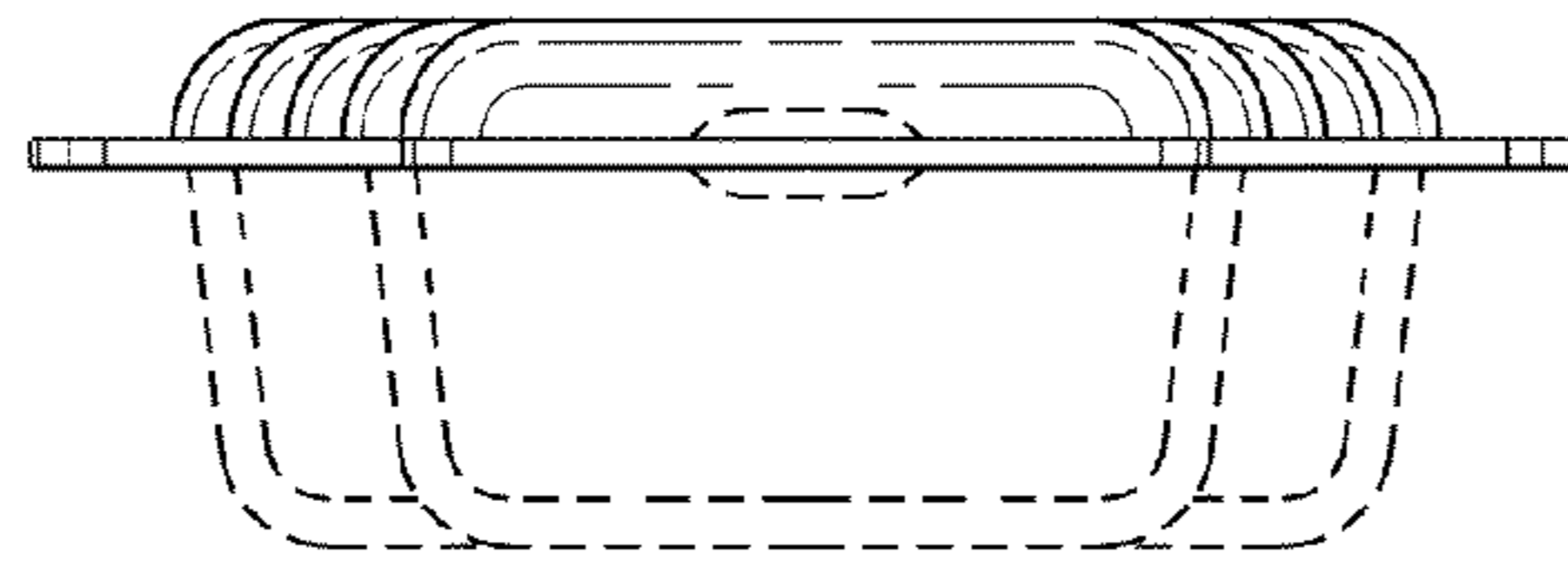


FIG. 4

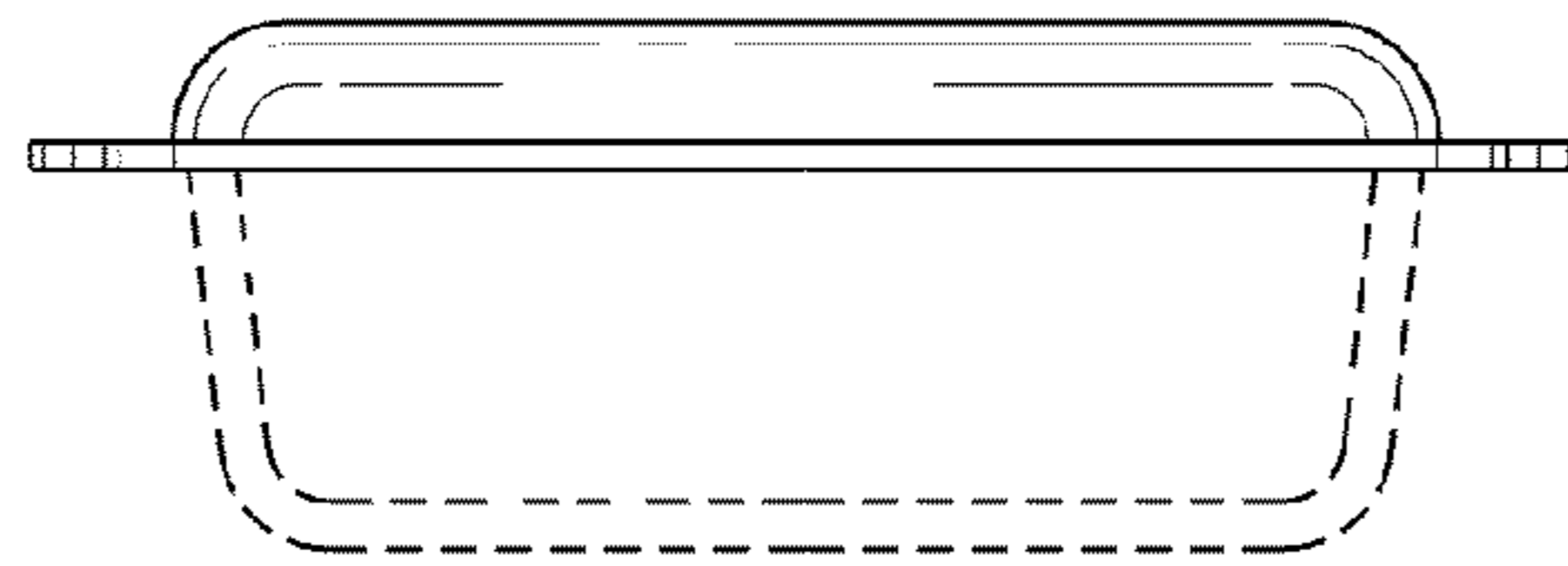


FIG. 5

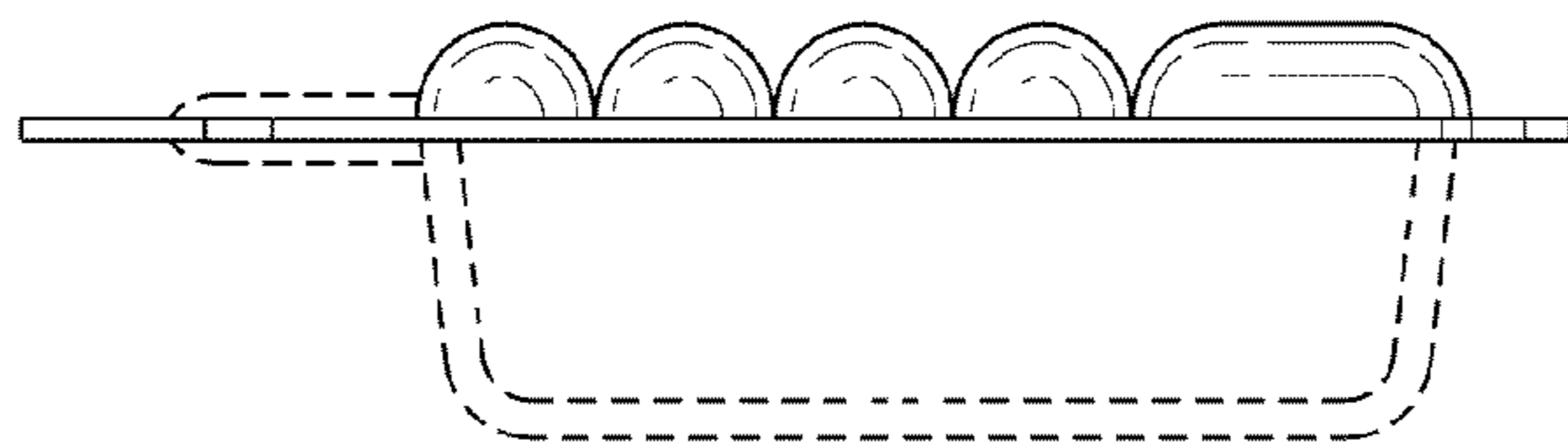


FIG. 6

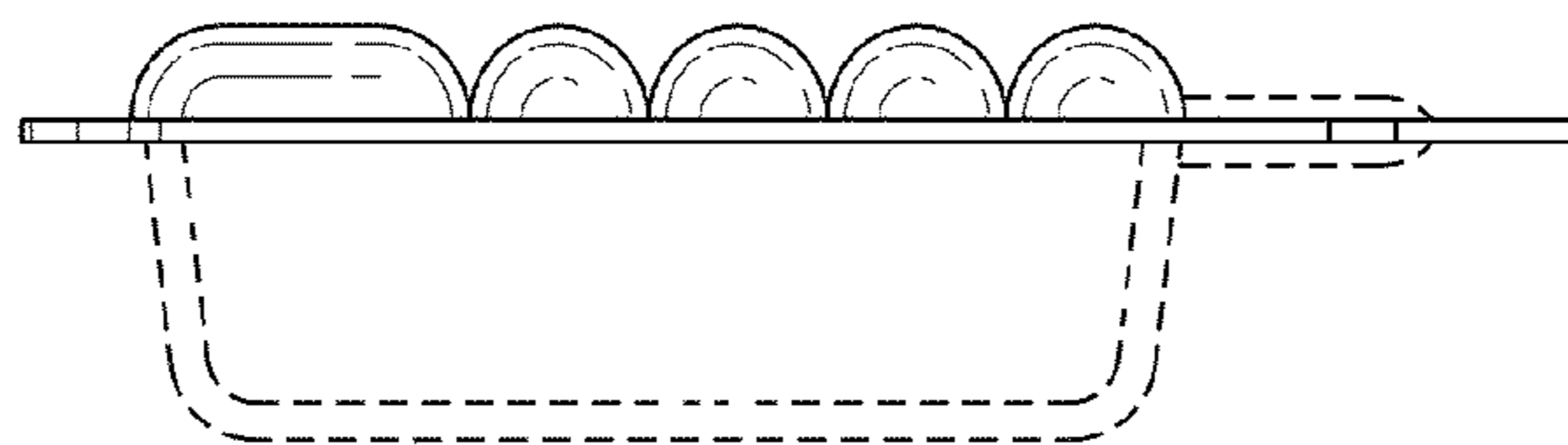


FIG. 7