



US00D682700S

(12) **United States Design Patent**
White et al.

(10) **Patent No.:** **US D682,700 S**
(45) **Date of Patent:** **** May 21, 2013**

(54) **BOTTLE**

(75) Inventors: **Jeremy M. White**, Barrington, IL (US);
Jay Ostby, Seattle, WA (US); **Matthew Schmunk**, Portland, OR (US)

(73) Assignee: **Stokely-Van Camp, Inc.**, Chicago, IL (US)

(**) Term: **14 Years**

(21) Appl. No.: **29/402,672**

(22) Filed: **Sep. 26, 2011**

(51) **LOC (9) Cl.** **09-01**

(52) **U.S. Cl.**
USPC **D9/538**; D9/540; D9/552; D9/557;
D9/571

(58) **Field of Classification Search** D9/502,
D9/516, 537-540, 549, 552, 556-558, 565,
D9/571; 215/381-385; D7/509-511, 396.2
See application file for complete search history.

(56) **References Cited**

U.S. PATENT DOCUMENTS

D379,154 S 5/1997 Cox
5,704,504 A * 1/1998 Bueno 215/381

(Continued)

Primary Examiner — Carol P Rademaker

(74) *Attorney, Agent, or Firm* — Banner & Witcoff, Ltd.

(57) **CLAIM**

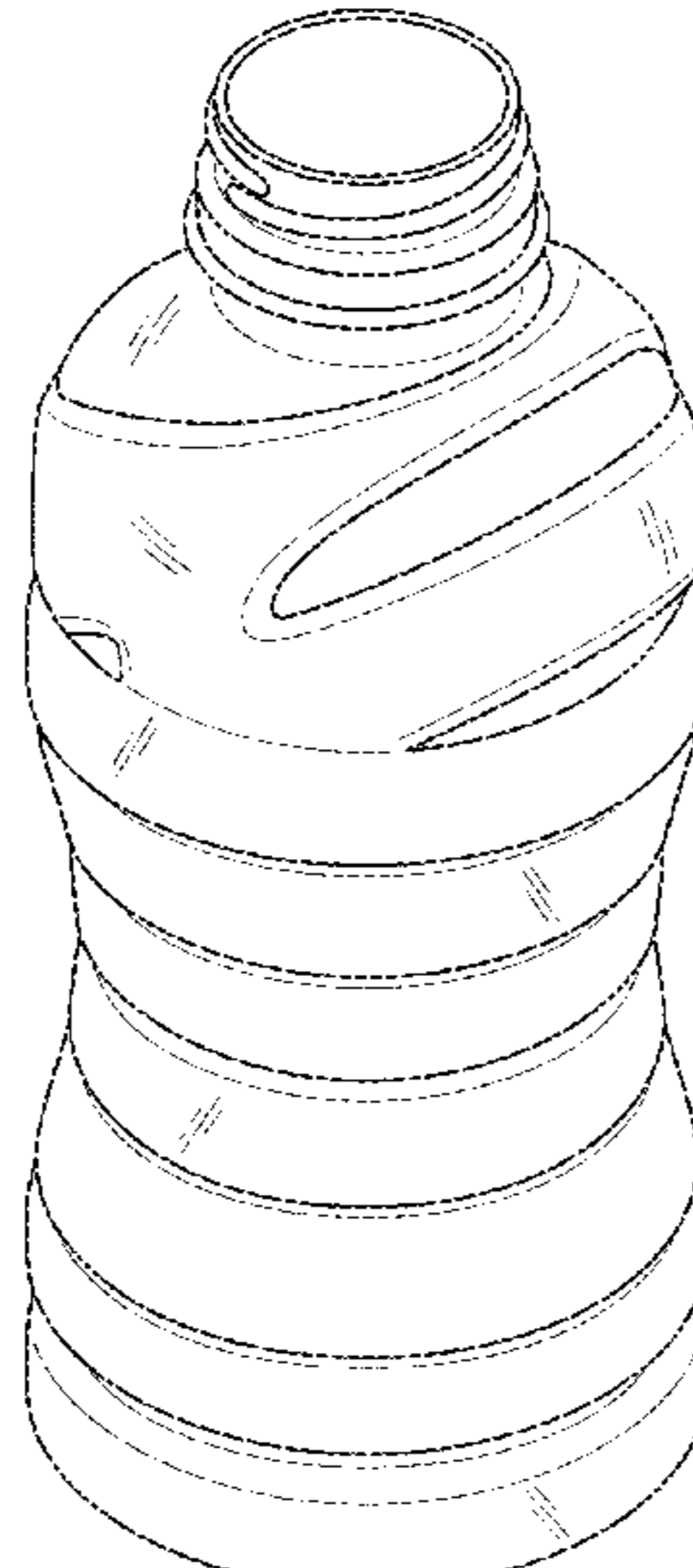
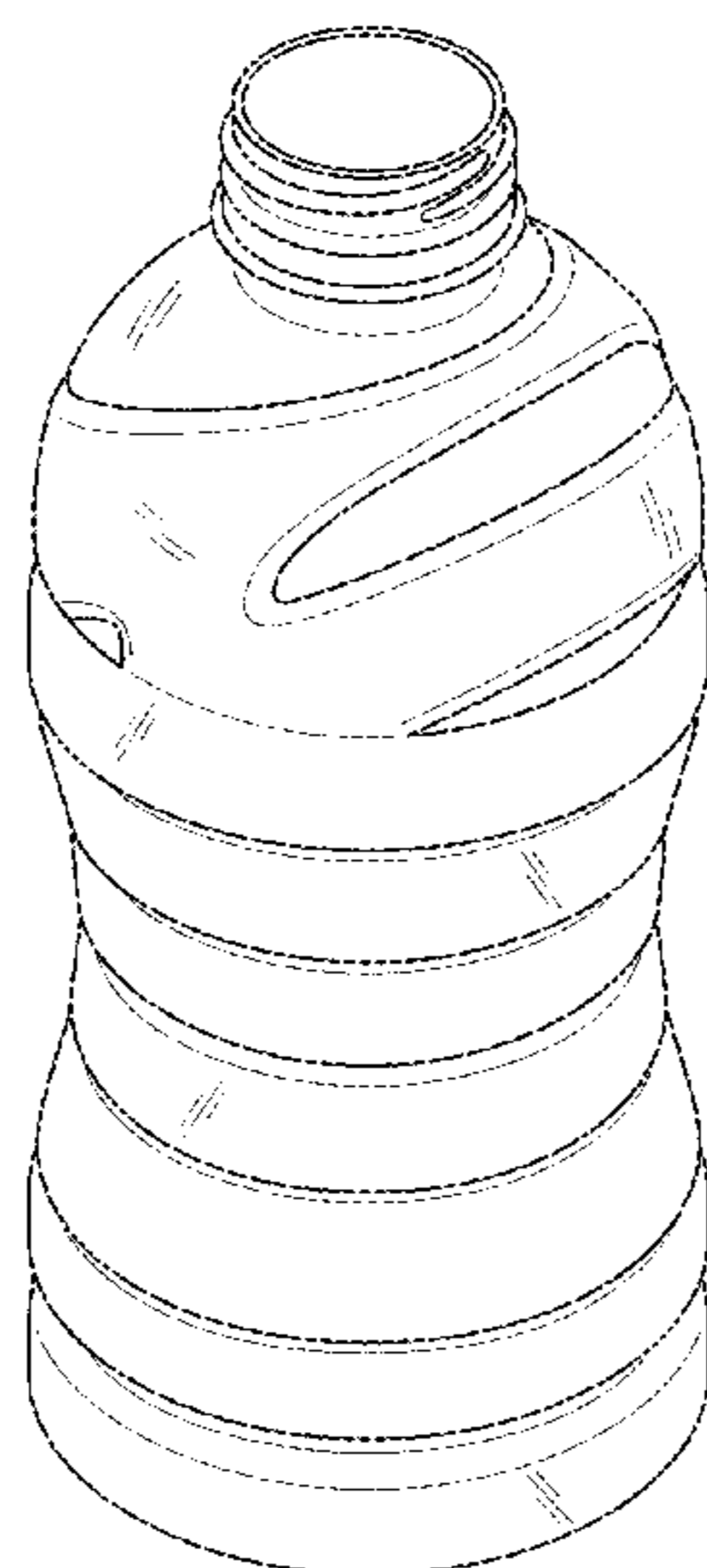
The ornamental design for a bottle, as shown and described.

DESCRIPTION

FIG. 1 is a top, front, right side perspective view of a bottle showing a first embodiment of our new design;
FIG. 2 is a front elevational view thereof;

FIG. 3 is a right side elevational view thereof;
FIG. 4 is a rear elevational view thereof;
FIG. 5 is a left side elevational view thereof;
FIG. 6 is a top plan view thereof;
FIG. 7 is a bottom plan view thereof;
FIG. 8 is a bottom, front, right side perspective view thereof;
FIG. 9 is a top, front, right side perspective view of a bottle showing a second embodiment of our new design;
FIG. 10 is a front elevational view thereof;
FIG. 11 is a right side elevational view thereof;
FIG. 12 is a rear elevational view thereof;
FIG. 13 is a left side elevational view thereof;
FIG. 14 is a top plan view thereof;
FIG. 15 is a bottom plan view thereof;
FIG. 16 is a bottom, front, right side perspective view thereof;
FIG. 17 is a top, front, right side perspective view of a bottle showing a third embodiment of our new design;
FIG. 18 is a front elevational view thereof;
FIG. 19 is a right side elevational view thereof;
FIG. 20 is a rear elevational view thereof;
FIG. 21 is a left side elevational view thereof;
FIG. 22 is a top plan view thereof;
FIG. 23 is a bottom plan view thereof;
FIG. 24 is a bottom, front, right side perspective view thereof;
FIG. 25 is a top, front, right side perspective view of a bottle showing a fourth embodiment of our new design;
FIG. 26 is a front elevational view thereof;
FIG. 27 is a right side elevational view thereof;
FIG. 28 is a rear elevational view thereof;
FIG. 29 is a left side elevational view thereof;
FIG. 30 is a top plan view thereof;
FIG. 31 is a bottom plan view thereof; and,
FIG. 32 is a bottom, front, right side perspective view thereof.
The dash-dash-dash-type broken lines shown in the drawing views are included for the purpose of illustrating environmental structure and form no part of the claimed design.
The dot-dash-dot-dash-dot-dash type broken lines shown in the drawing views define the unclaimed boundaries of the claimed design.

1 Claim, 28 Drawing Sheets



US D682,700 S

Page 2

U.S. PATENT DOCUMENTS

| | | | | | | | |
|------------|-----------|----------------------|----------|-----------------|----------|-------------------|--------|
| D429,166 S | 8/2000 | Ogg | | D608,217 S | 1/2010 | Priore et al. | |
| D466,415 S | * 12/2002 | Reis | D9/552 | D609,105 S | 2/2010 | Tiefenback | |
| D503,341 S | 3/2005 | Delmotte | | D609,108 S | 2/2010 | George et al. | |
| D506,931 S | 7/2005 | Delmotte | | D610,011 S | 2/2010 | De Pieretti | |
| D515,427 S | * 2/2006 | Schuller et al. | D9/516 | D610,913 S | 3/2010 | Lesueur | |
| D521,868 S | 5/2006 | Arima | | D612,243 S | 3/2010 | White et al. | |
| D545,194 S | * 6/2007 | Goudsblom | D9/502 | D612,733 S | 3/2010 | Eugui et al. | |
| D548,083 S | * 8/2007 | Bourne | D9/502 | D613,166 S | 4/2010 | Bentley | |
| D552,477 S | 10/2007 | Hermel | | D616,762 S | 6/2010 | Caldwell et al. | |
| D559,695 S | 1/2008 | Lesueur | | D617,647 S | 6/2010 | Bledsoe et al. | |
| D561,597 S | 2/2008 | Venkataraman et al. | | D618,552 S | 6/2010 | Dabrowski | |
| D564,359 S | 3/2008 | Trollope et al. | | D620,362 S | * 7/2010 | Boukobza | D9/500 |
| D572,139 S | 7/2008 | Trollope et al. | | D621,264 S | 8/2010 | Williams | |
| D575,161 S | * 8/2008 | Lepoitevin | D9/538 | D621,711 S | 8/2010 | Williams | |
| D576,042 S | 9/2008 | Dellevigne | | D622,597 S | 8/2010 | Dabrowski | |
| D581,799 S | 12/2008 | Bourne | | D623,012 S | 9/2010 | White et al. | |
| D582,779 S | 12/2008 | Bourne | | D623,950 S | 9/2010 | Eugui et al. | |
| D582,780 S | 12/2008 | Bourne | | D623,951 S | 9/2010 | Eugui et al. | |
| D583,243 S | 12/2008 | Botti et al. | | D624,423 S | 9/2010 | Kissinger et al. | |
| D584,628 S | * 1/2009 | Lepoitevin | D9/538 | D642,471 S | 8/2011 | White et al. | |
| D584,947 S | 1/2009 | Bourne | | D643,735 S | * 8/2011 | Sherwood | D9/549 |
| D585,700 S | * 2/2009 | Chu | D7/396.2 | D644,927 S | 9/2011 | White et al. | |
| D591,156 S | 4/2009 | George et al. | | D644,929 S | 9/2011 | White et al. | |
| D600,559 S | * 9/2009 | Lepoitevin | D9/538 | D644,930 S | 9/2011 | White et al. | |
| D602,782 S | 10/2009 | Lepoitevin | | D651,906 S | * 1/2012 | White et al. | D9/540 |
| D602,783 S | 10/2009 | Lepoitevin | | D652,307 S | * 1/2012 | White et al. | D9/540 |
| D603,268 S | 11/2009 | Bourne | | D653,951 S | * 2/2012 | Scott | D9/502 |
| D603,709 S | 11/2009 | Lepoitevin | | D667,306 S | * 9/2012 | Verea | D9/502 |
| D604,169 S | * 11/2009 | Melossi | D9/538 | 2008/0073315 A1 | 3/2008 | Hermel et al. | |
| D605,947 S | * 12/2009 | Debuire | D9/538 | 2010/0155359 A1 | 6/2010 | Simon et al. | |
| D608,203 S | 1/2010 | Yourist | | 2011/0186538 A1 | 8/2011 | Strasser et al. | |
| D608,216 S | 1/2010 | Priore et al. | | | | | |

* cited by examiner

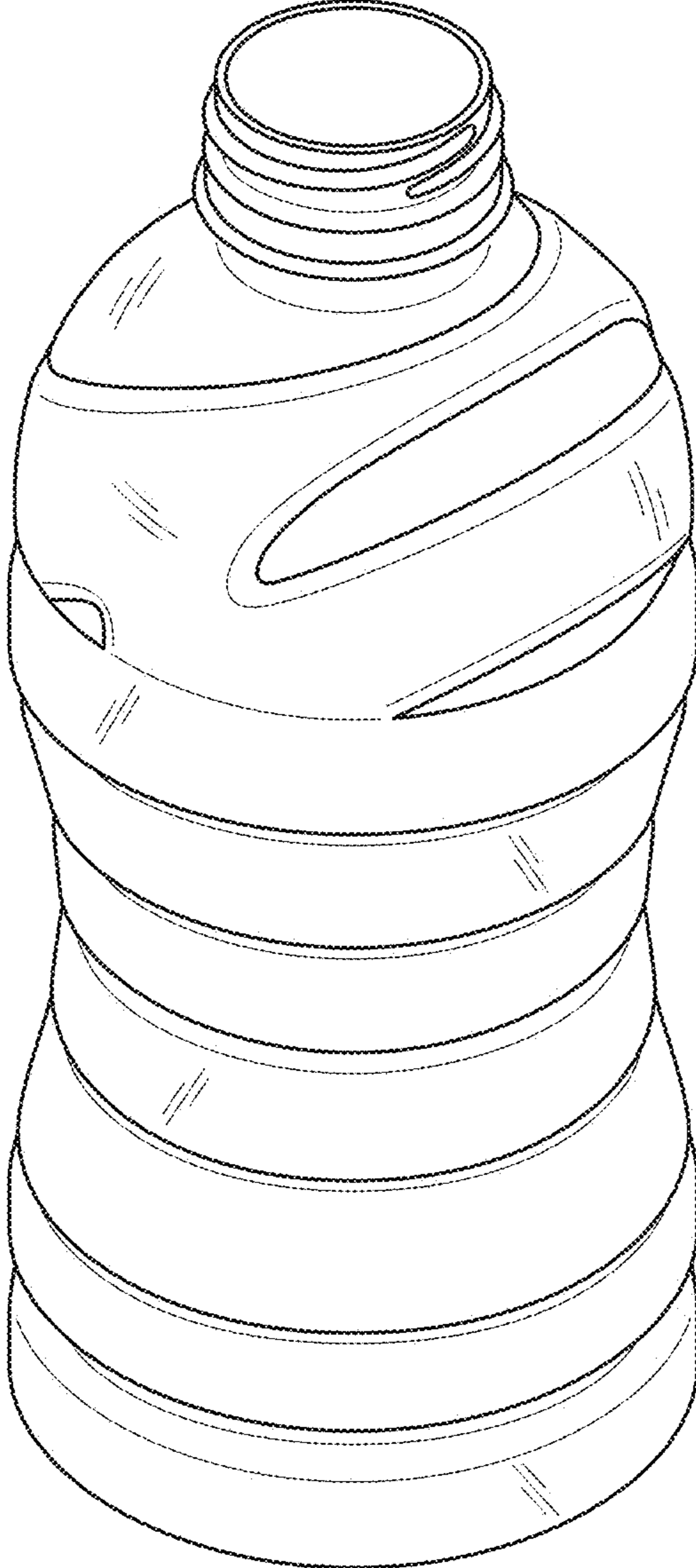


FIG. 1

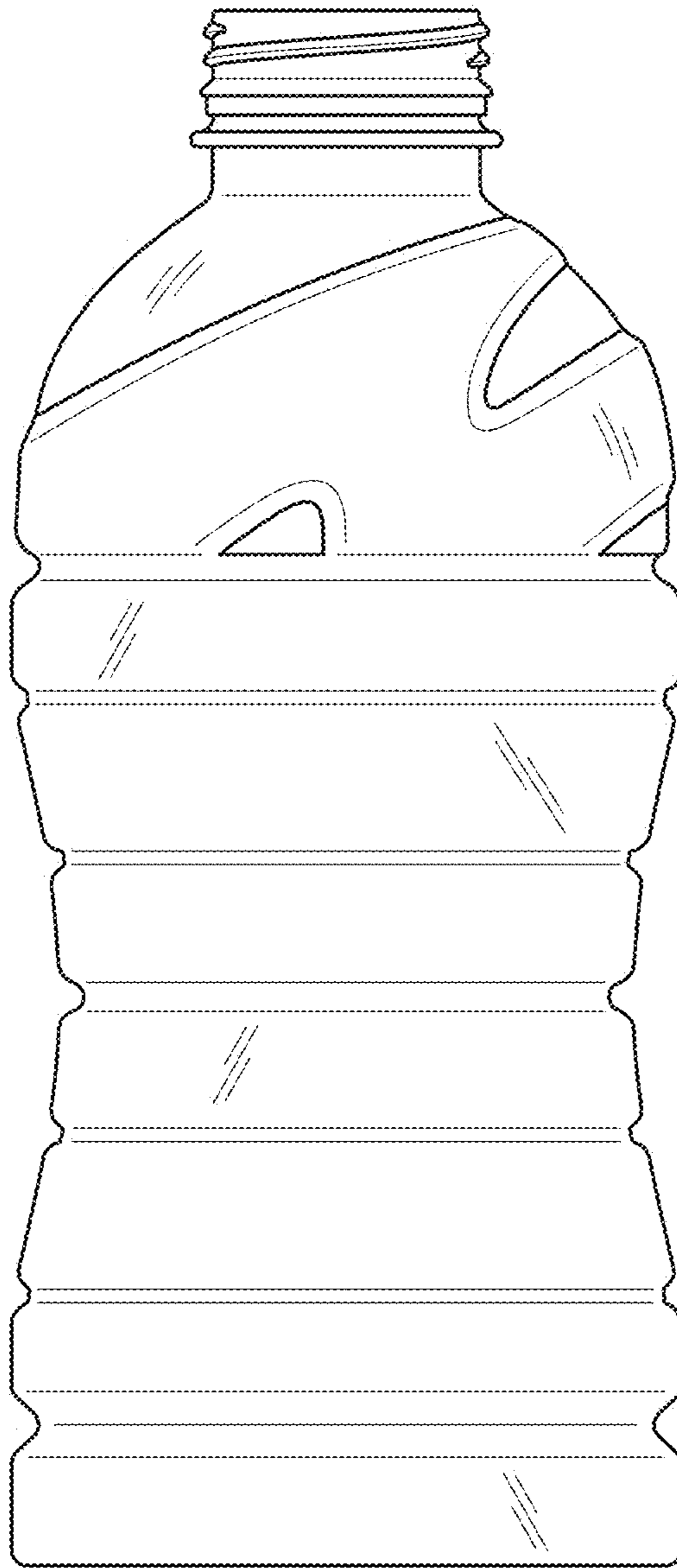


FIG. 2

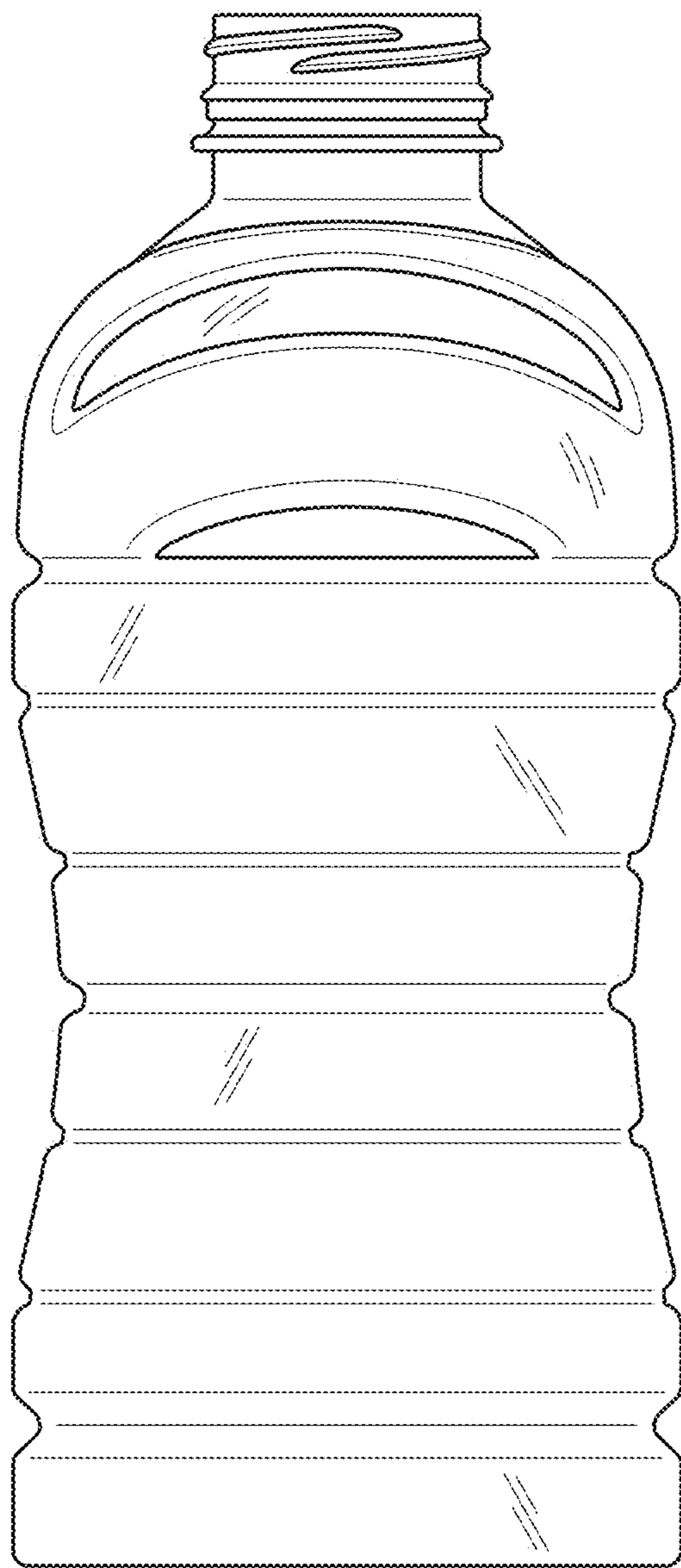


FIG. 3

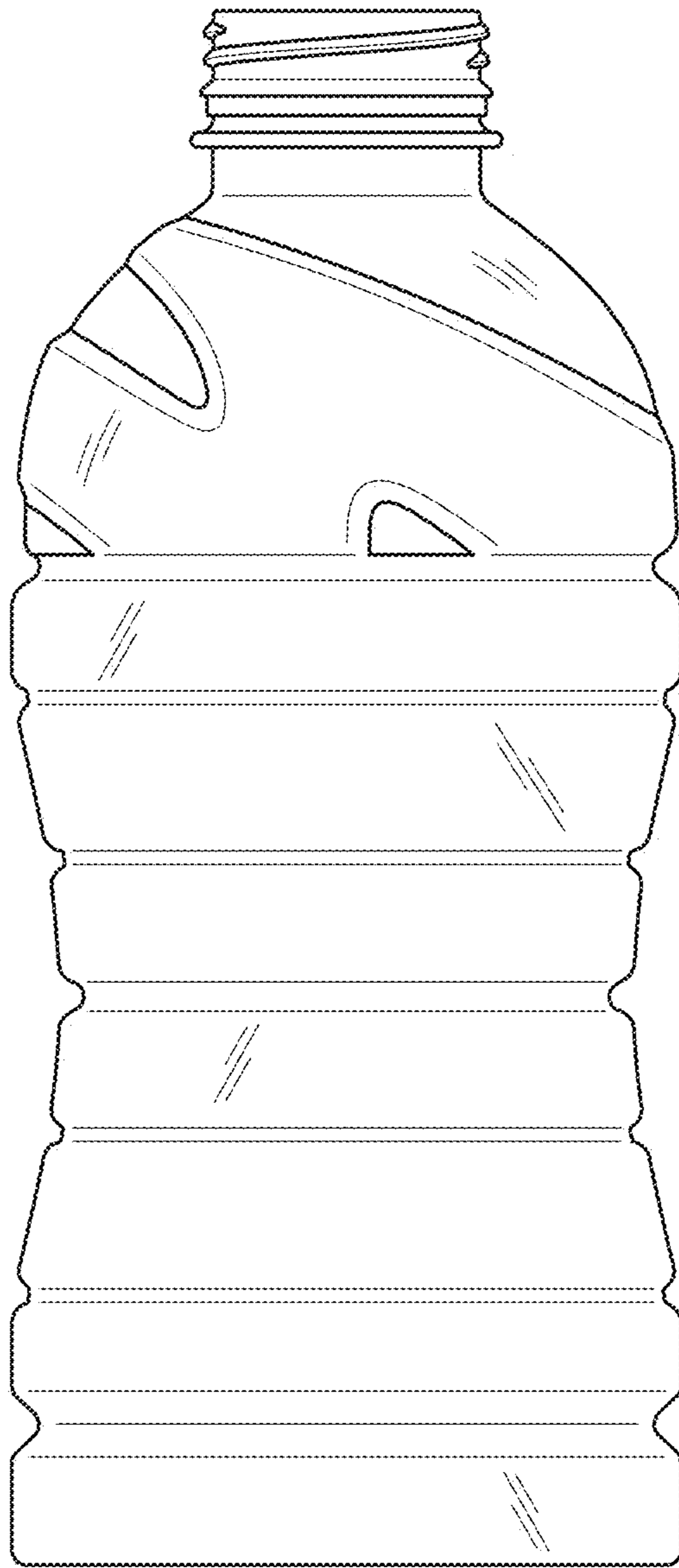


FIG. 4

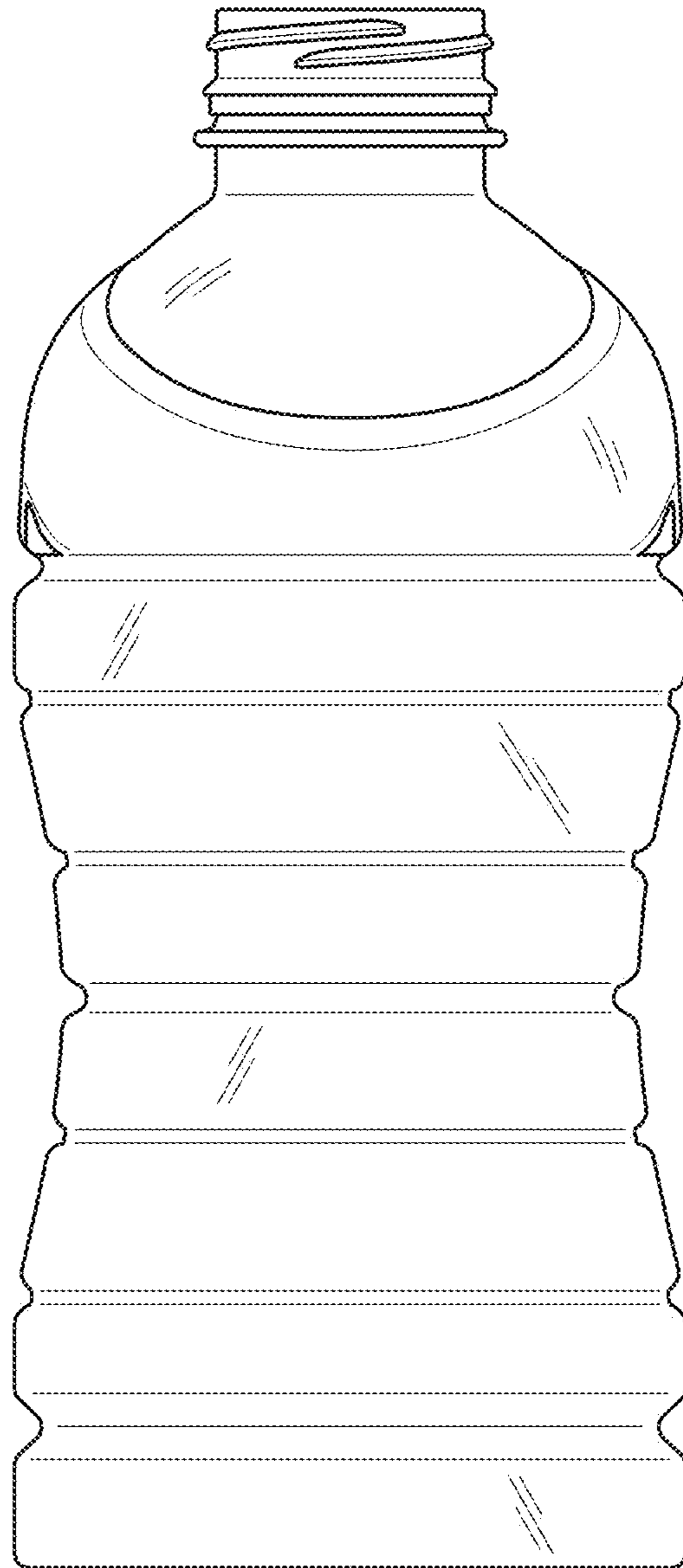


FIG. 5

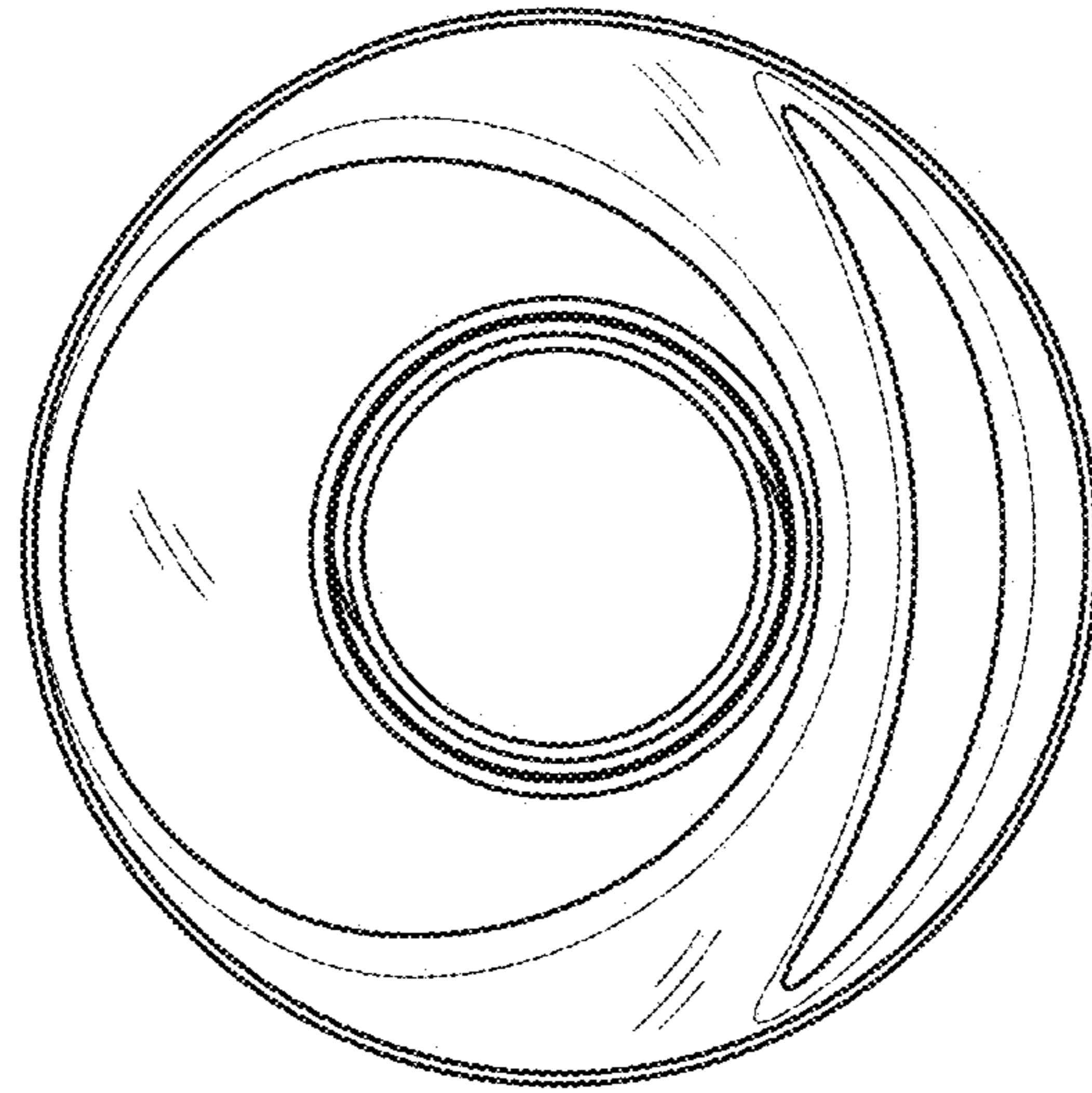


FIG. 6

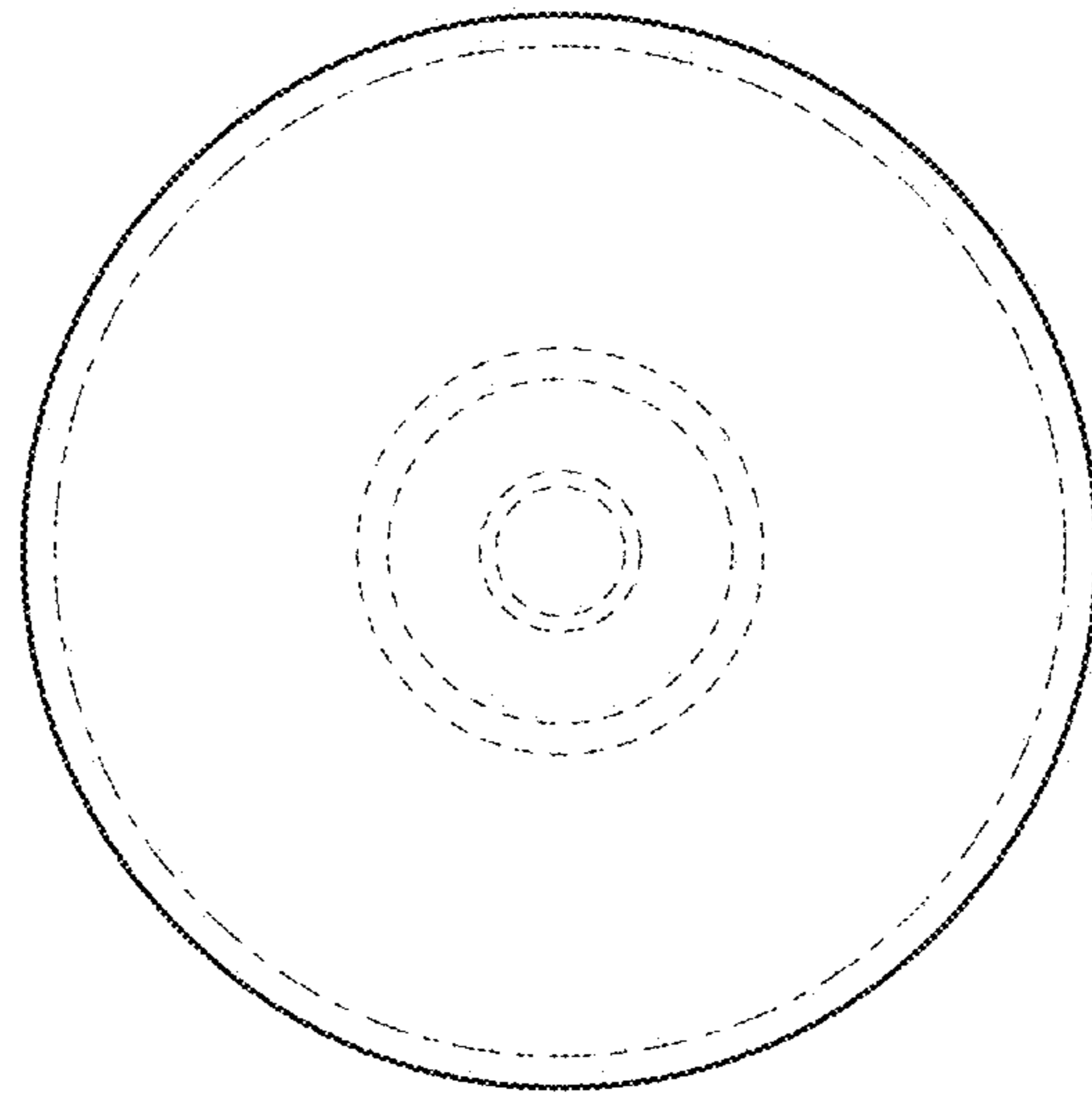


FIG. 7

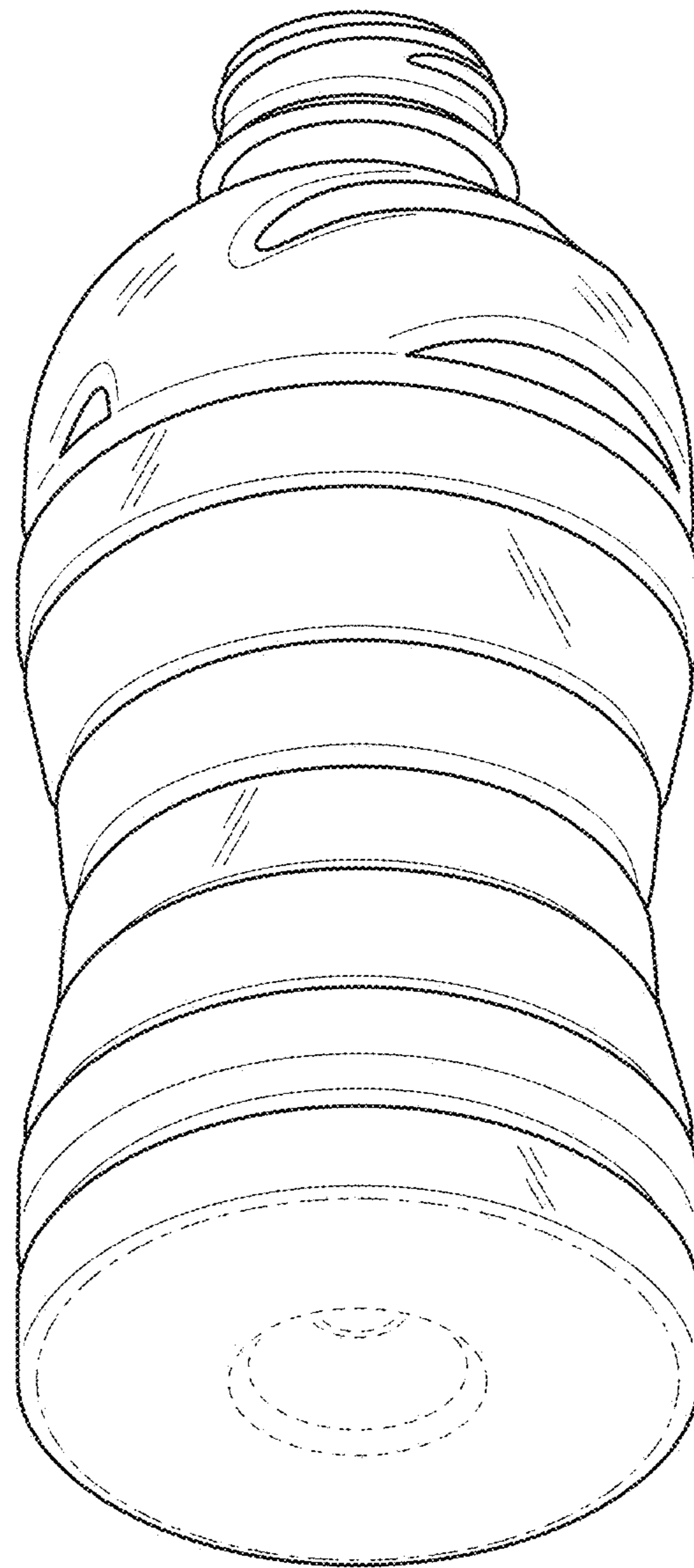


FIG. 8

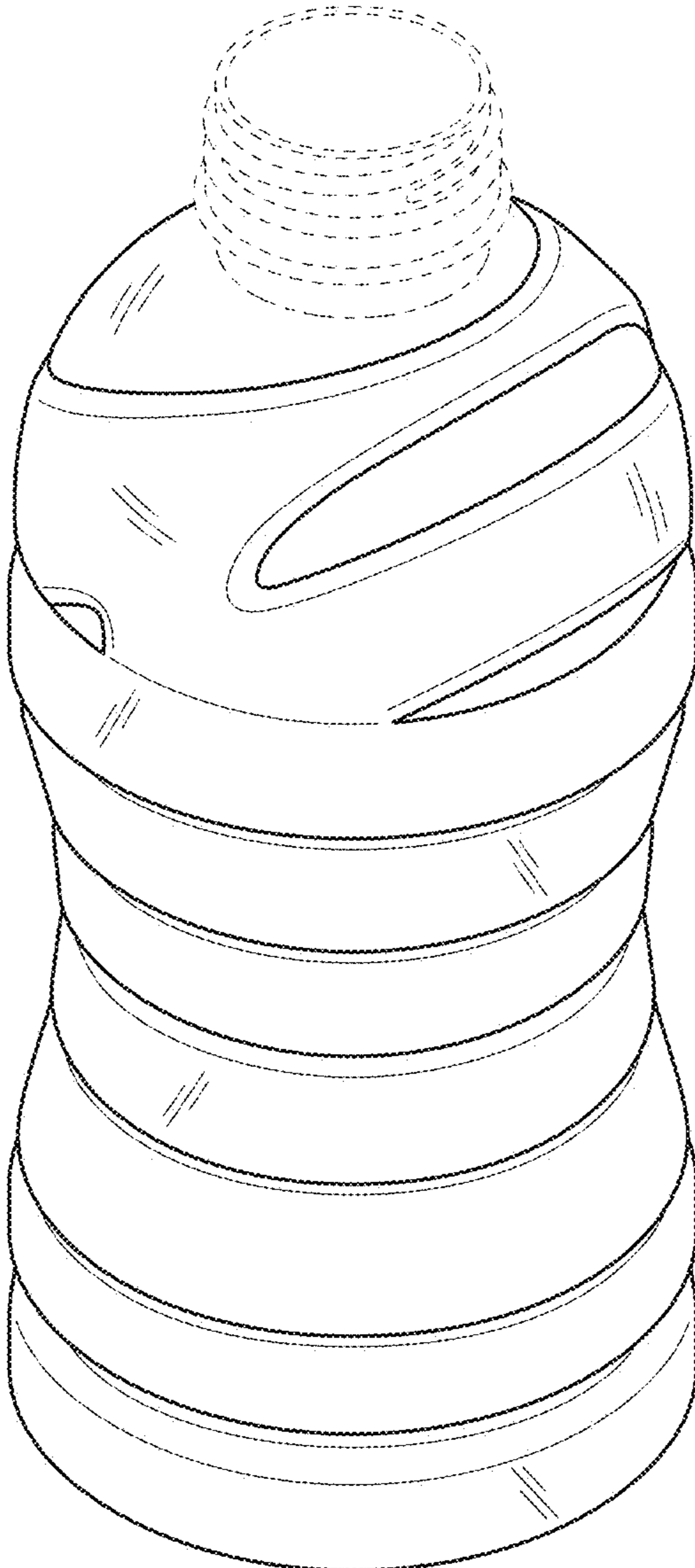


FIG. 9

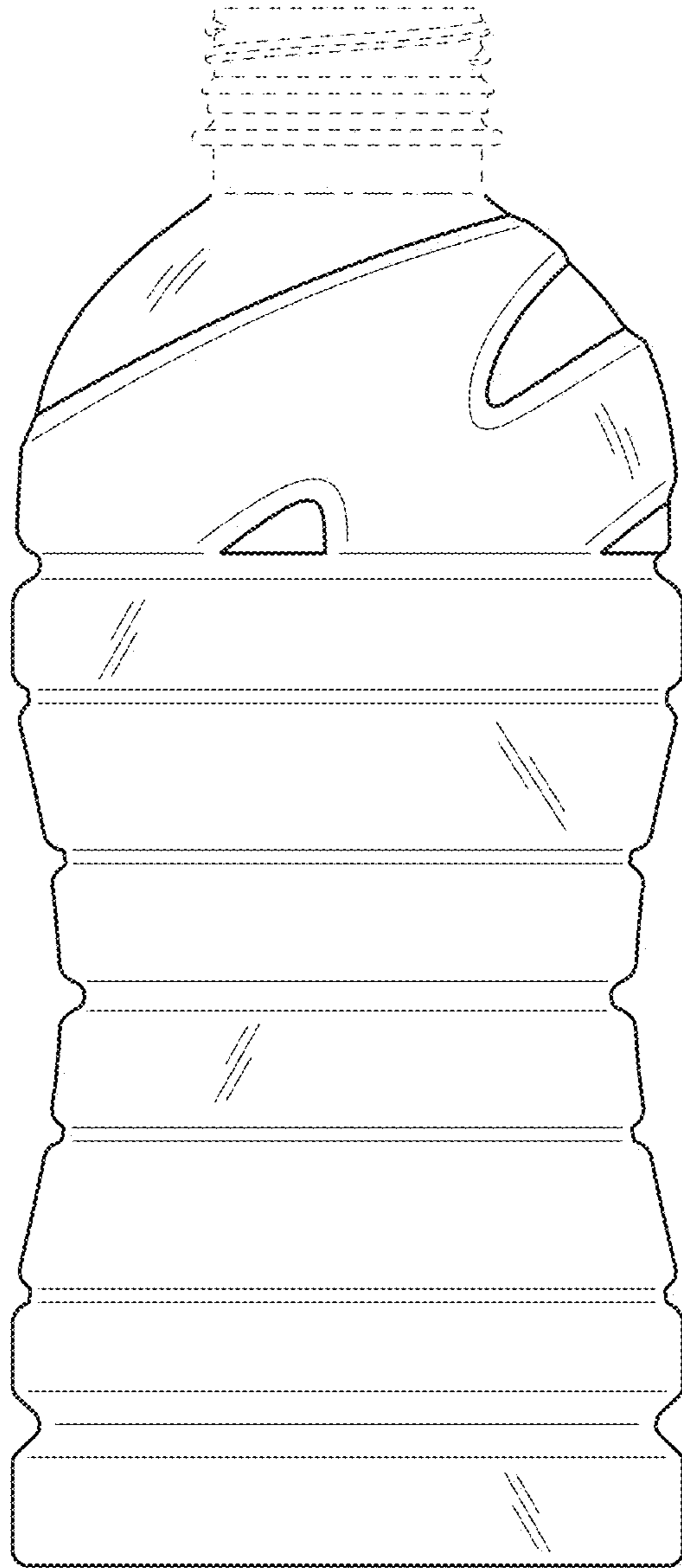


FIG. 10

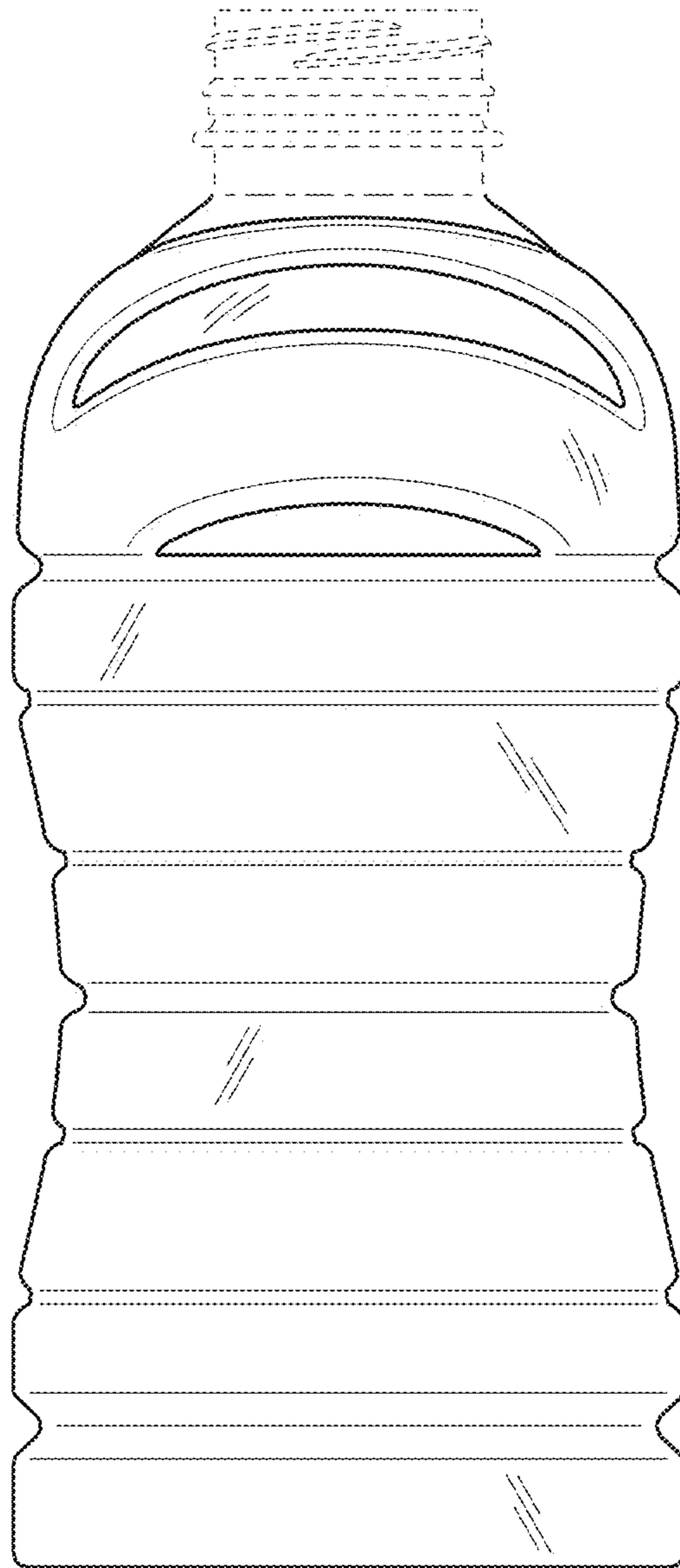


FIG. 11

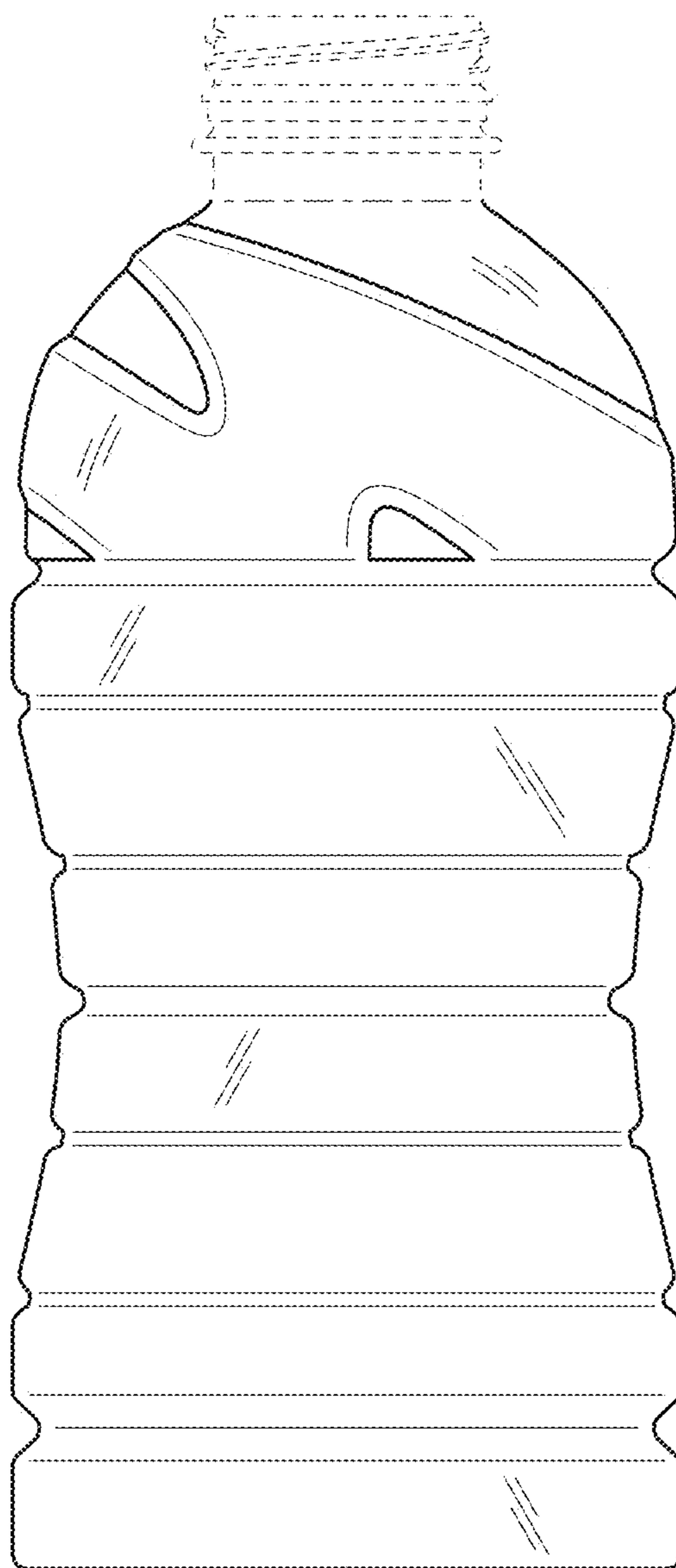


FIG. 12

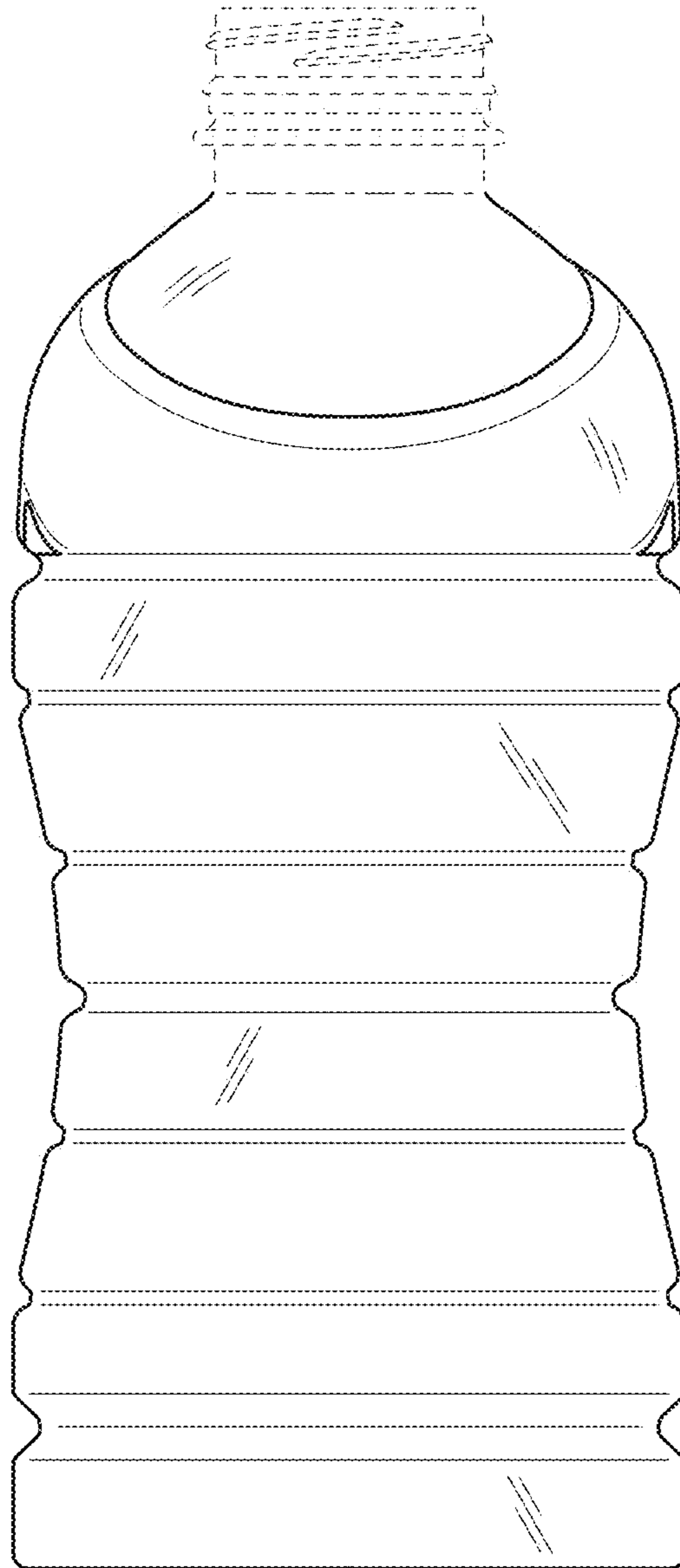


FIG. 13

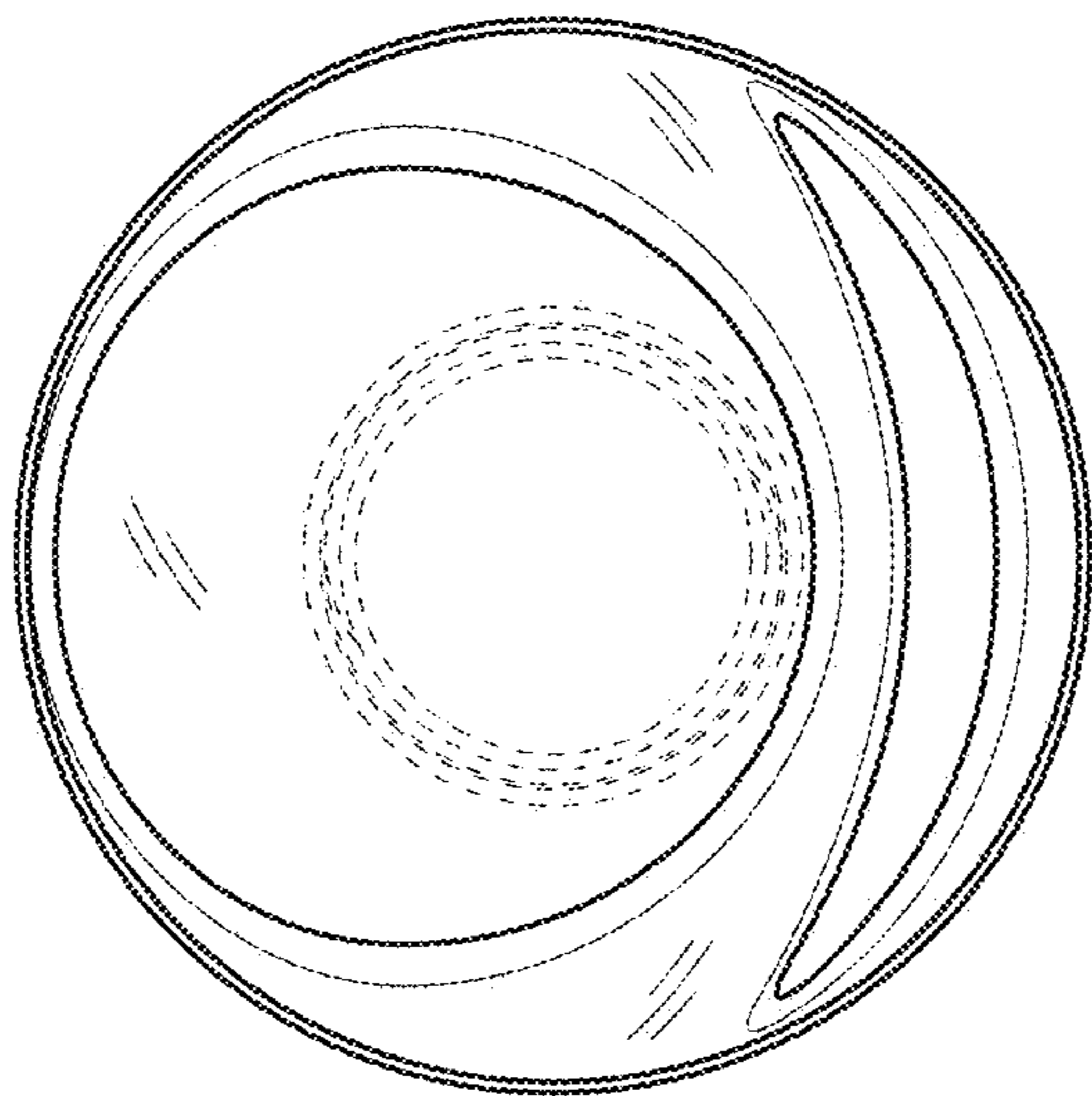


FIG. 14

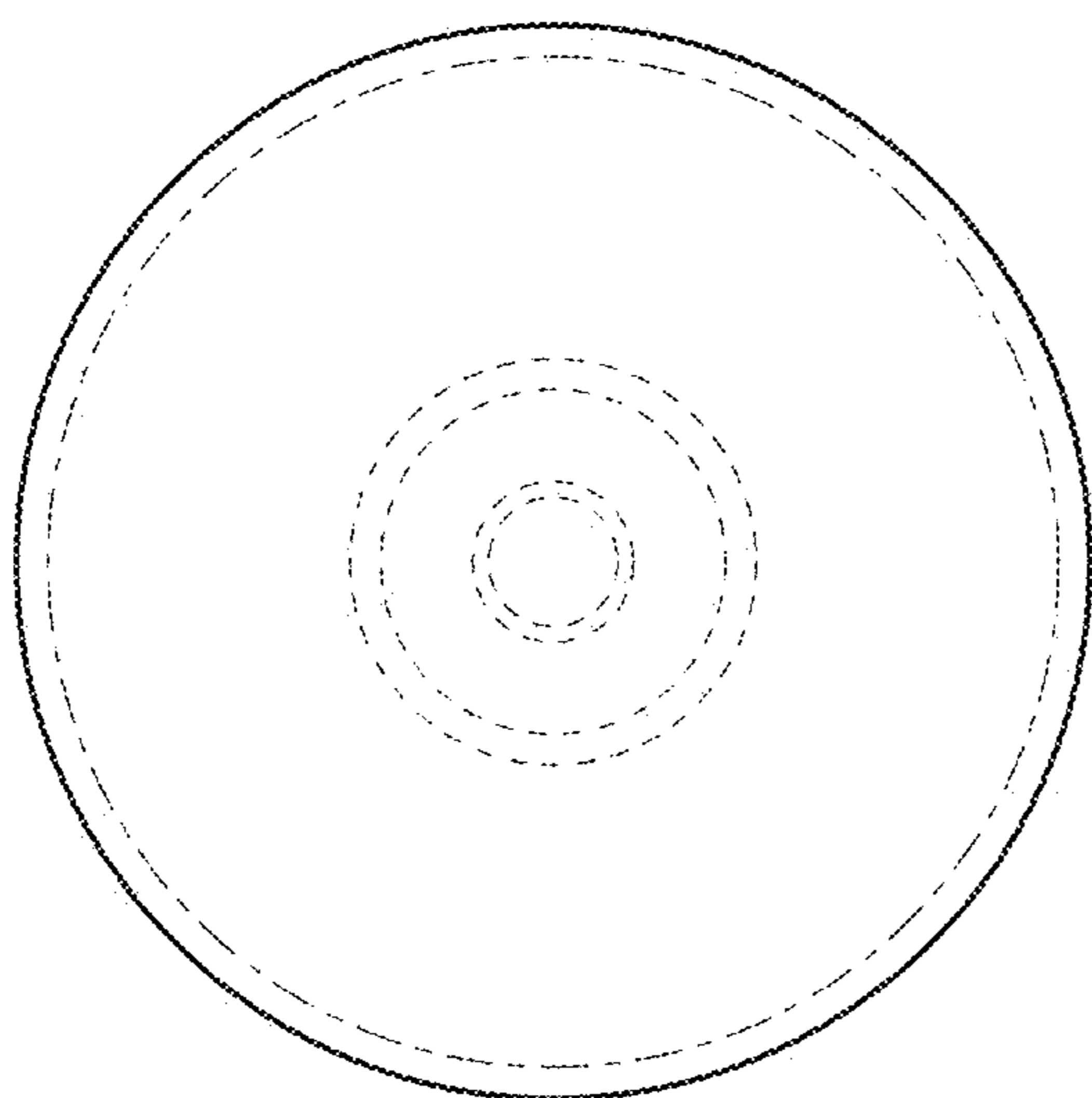


FIG. 15

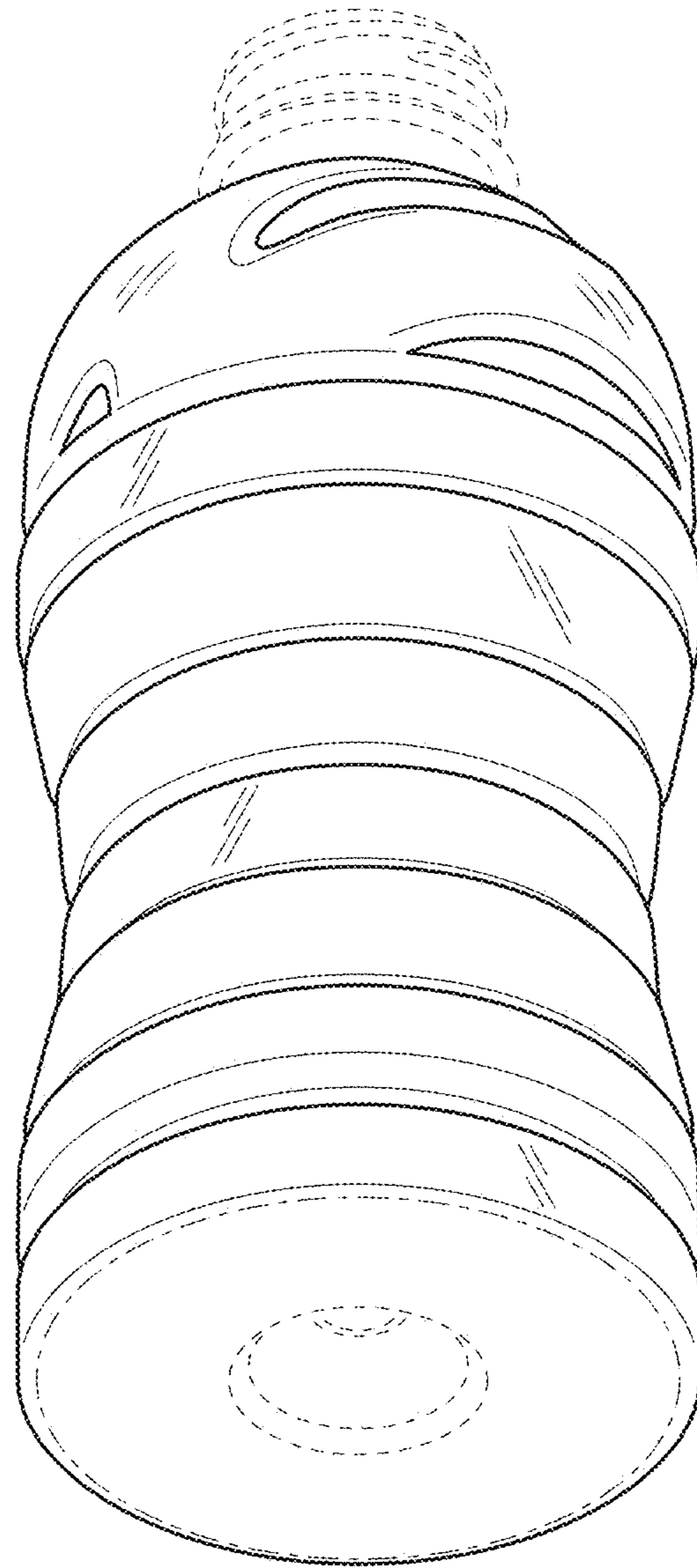


FIG. 16

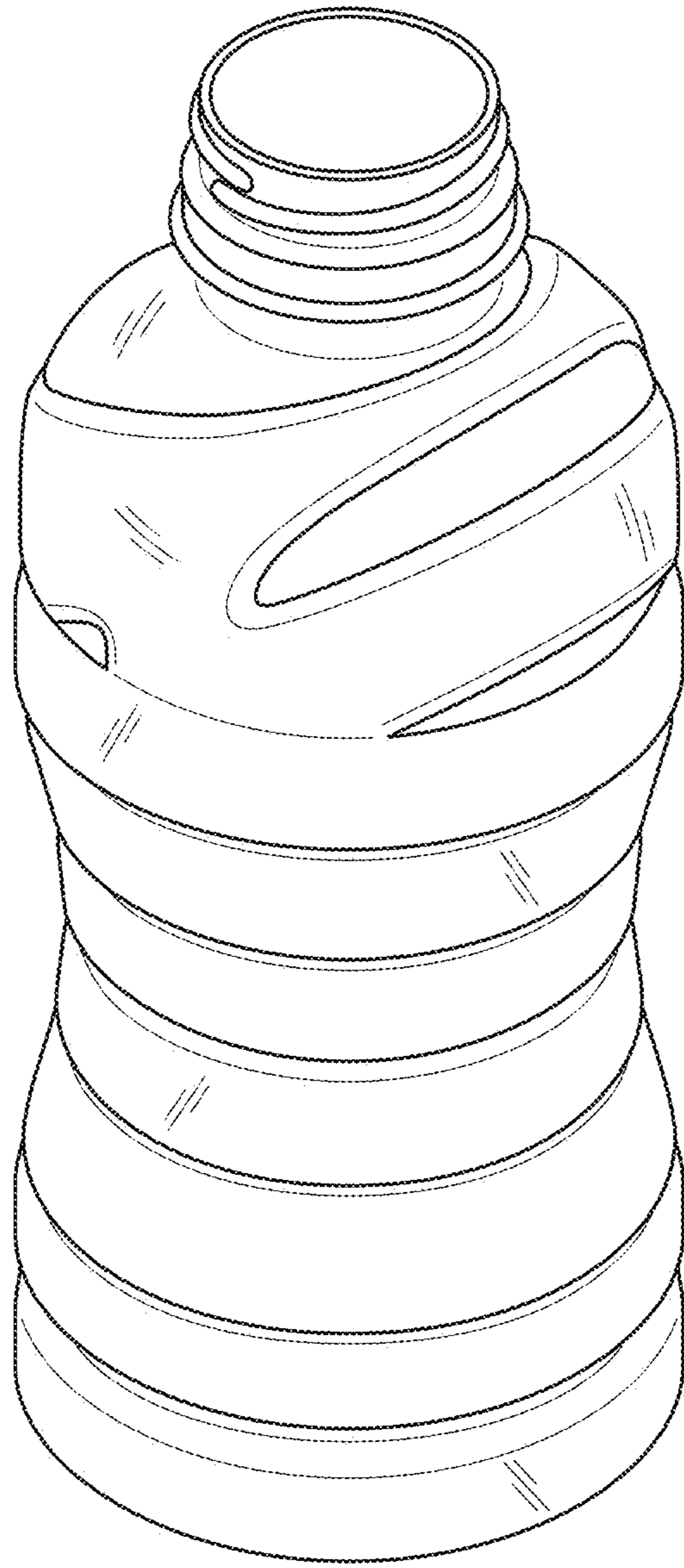


FIG. 17

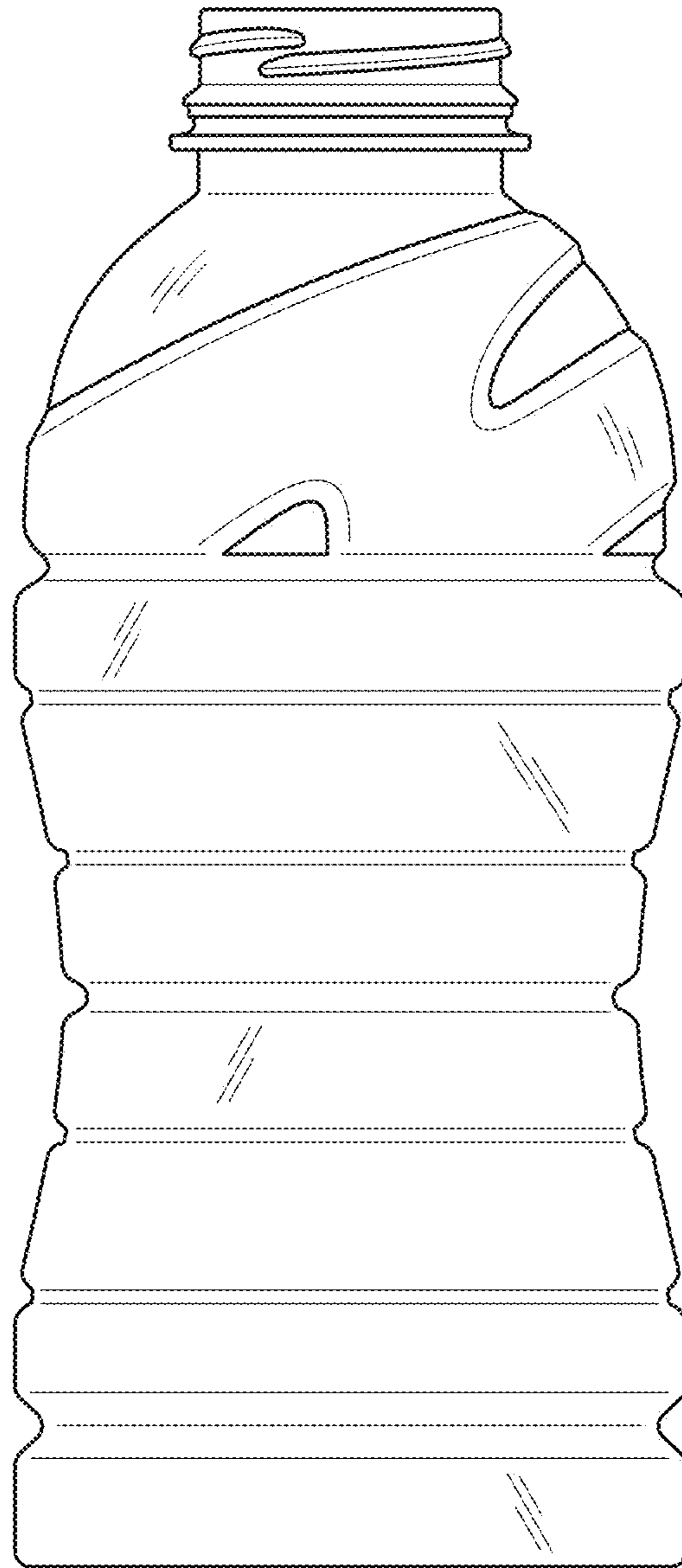


FIG. 18

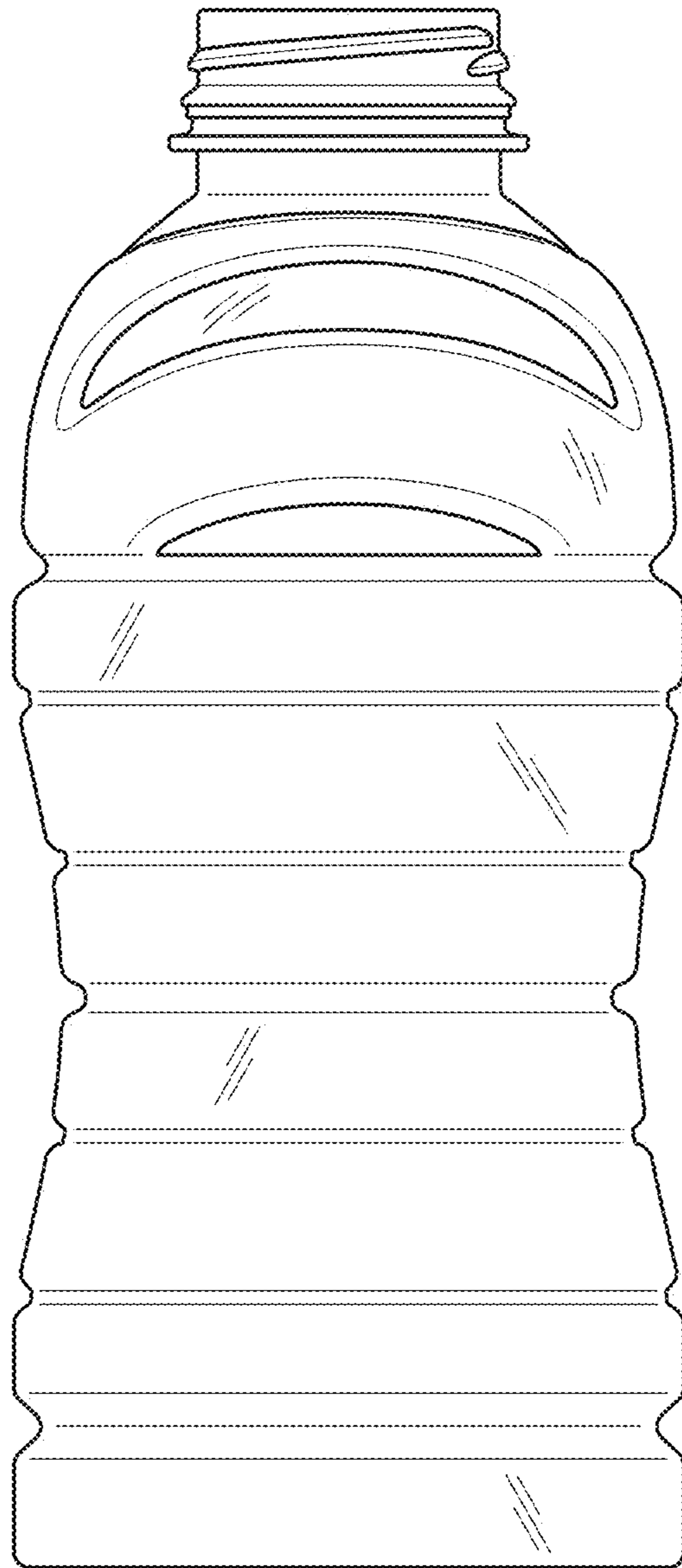


FIG. 19

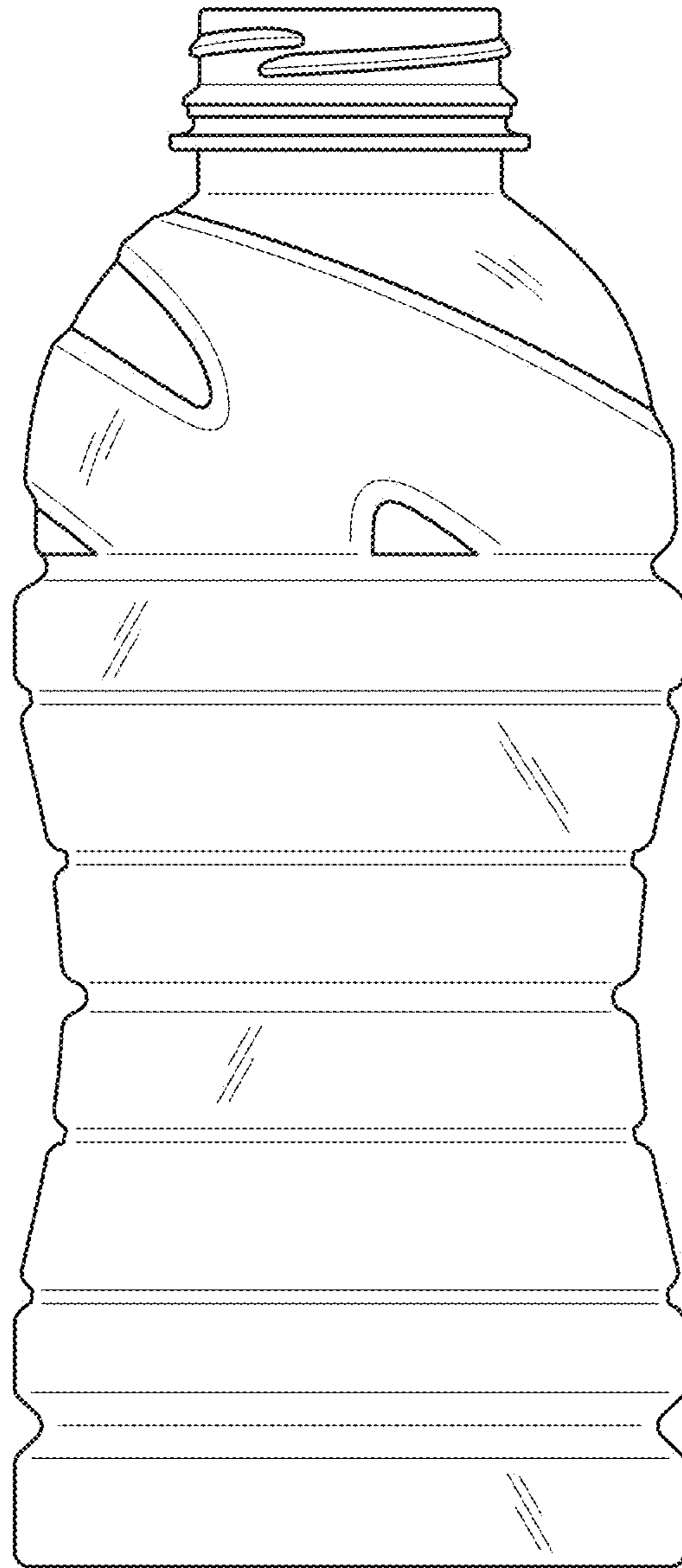


FIG. 20

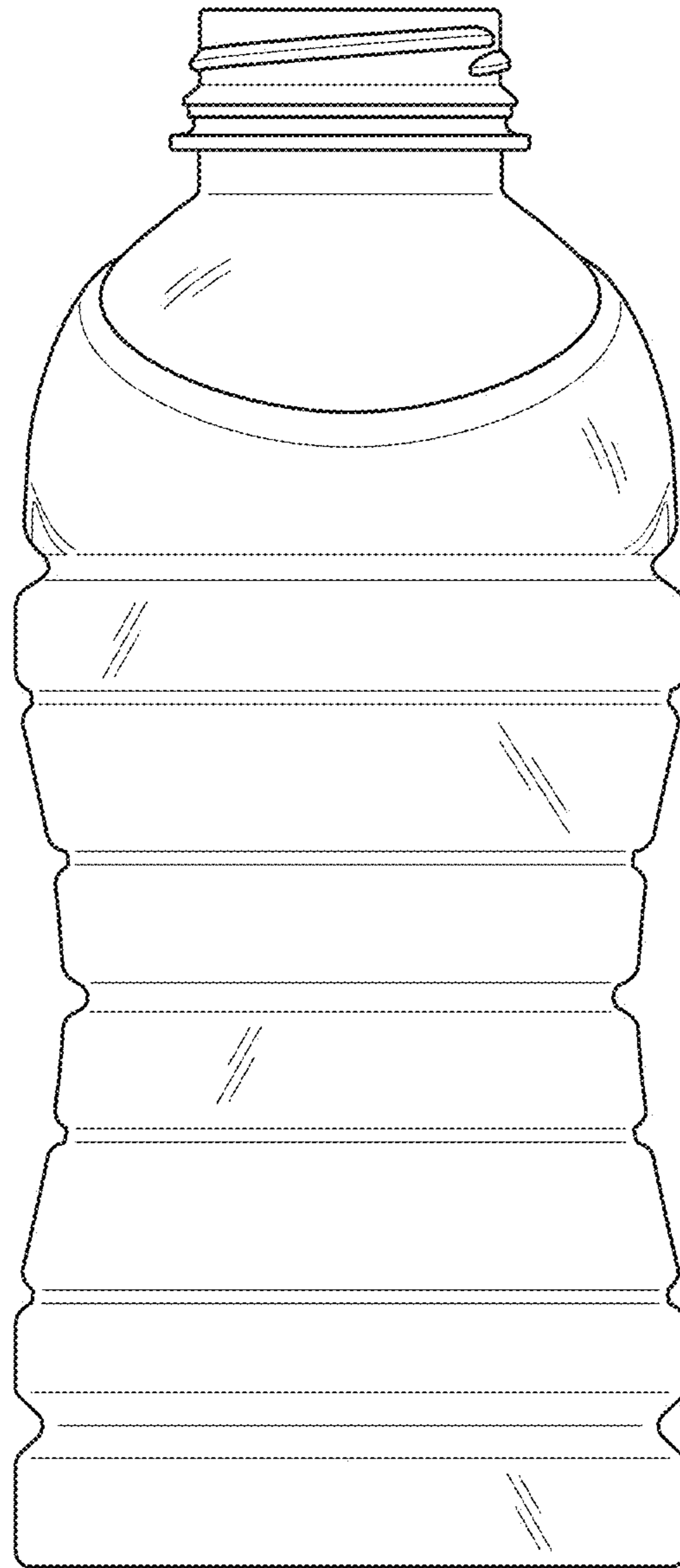


FIG. 21

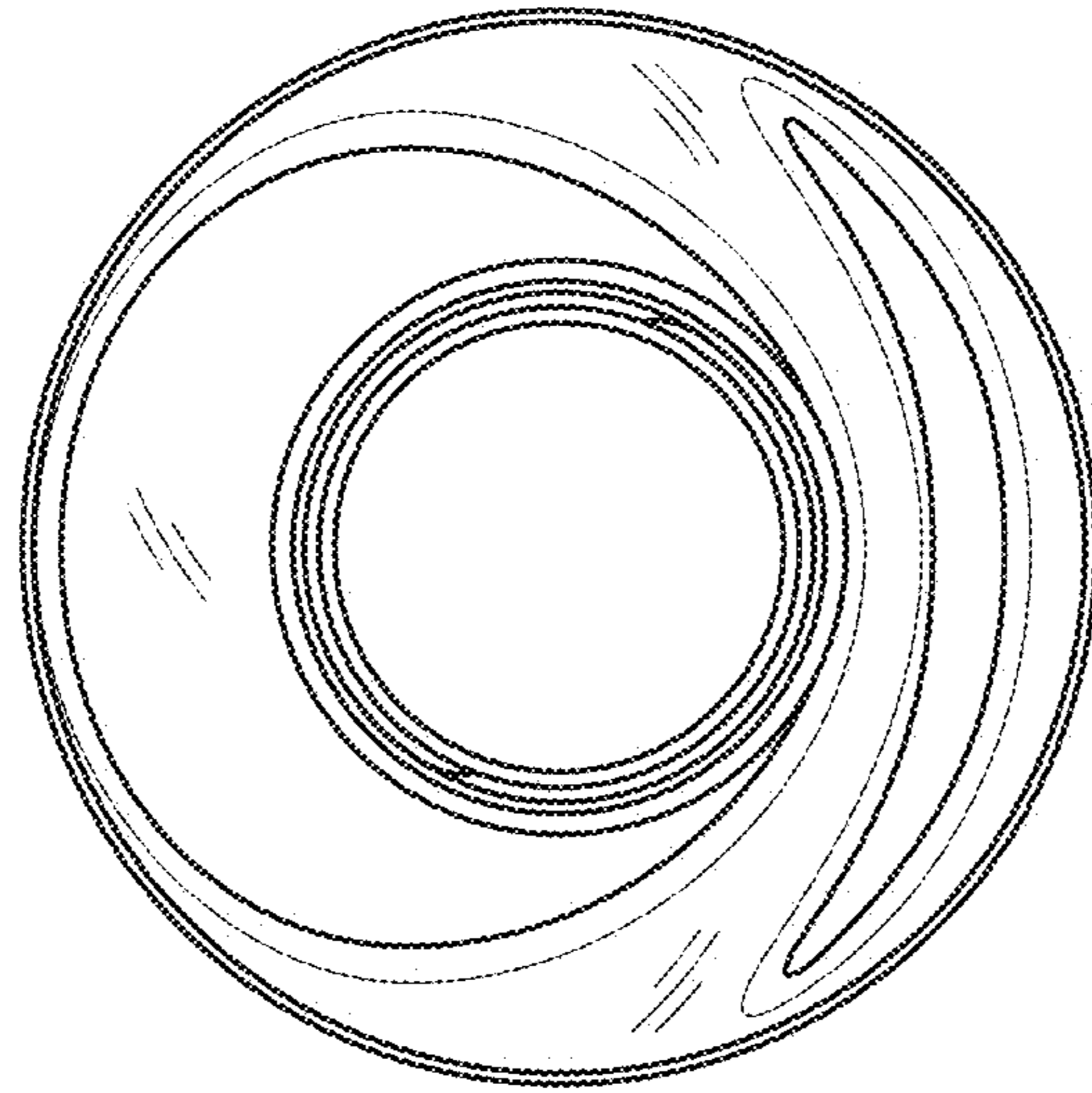


FIG. 22

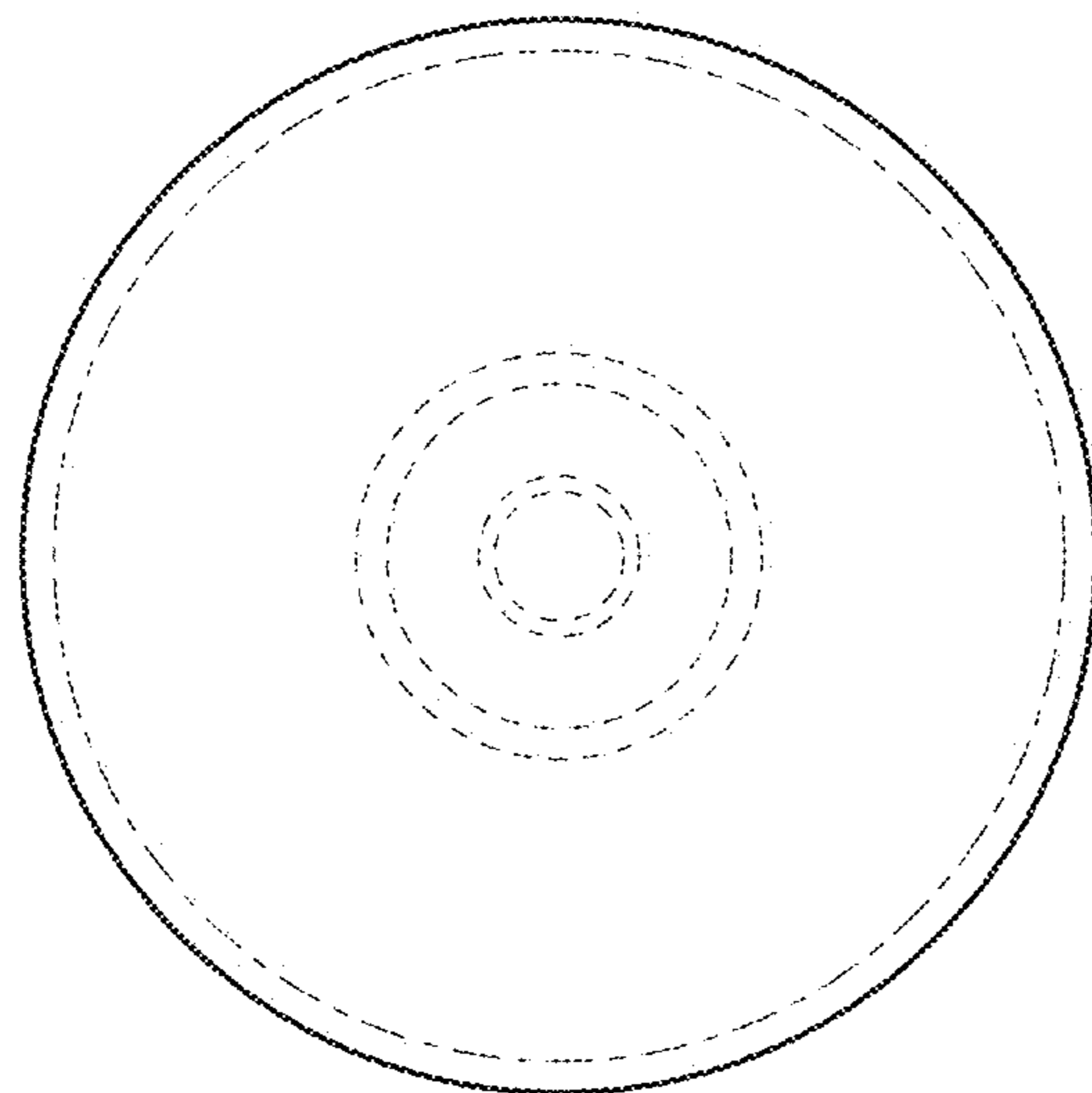


FIG. 23

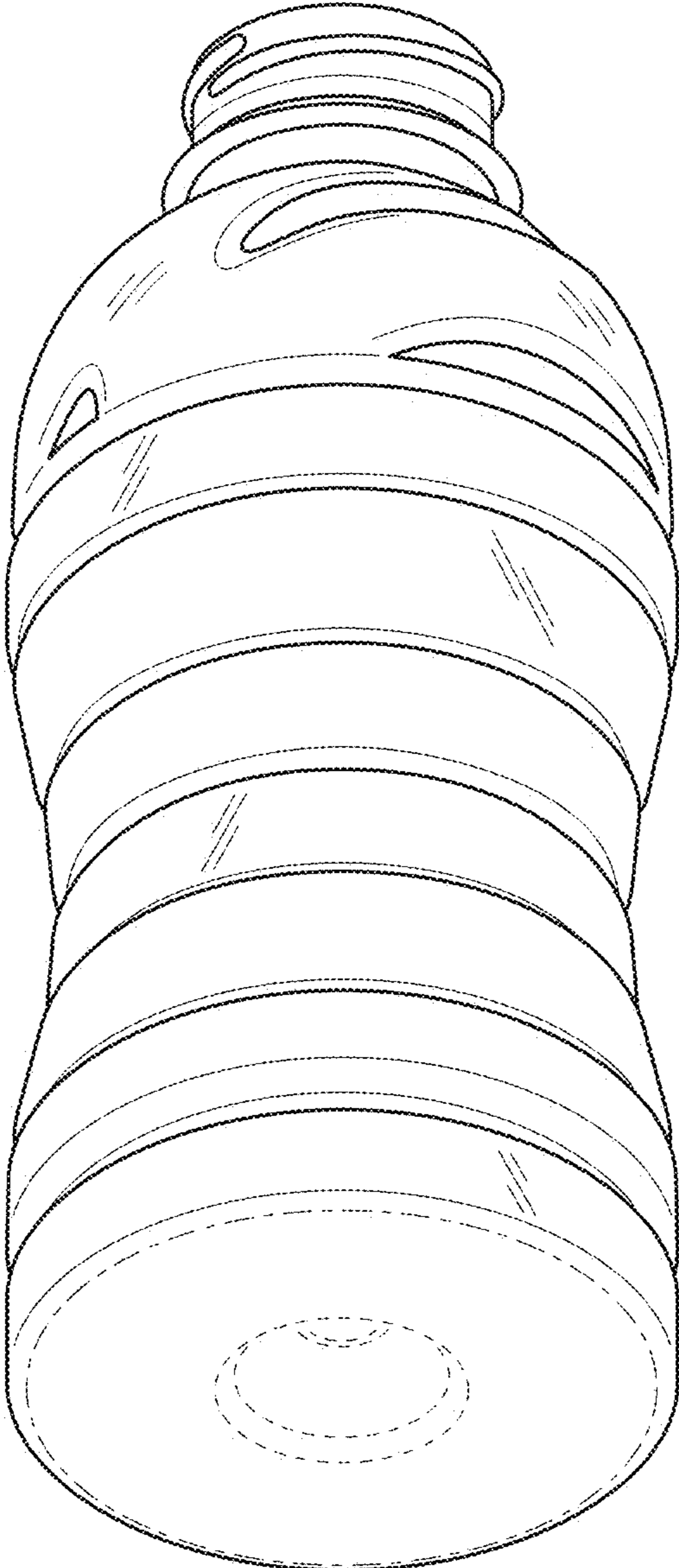


FIG. 24

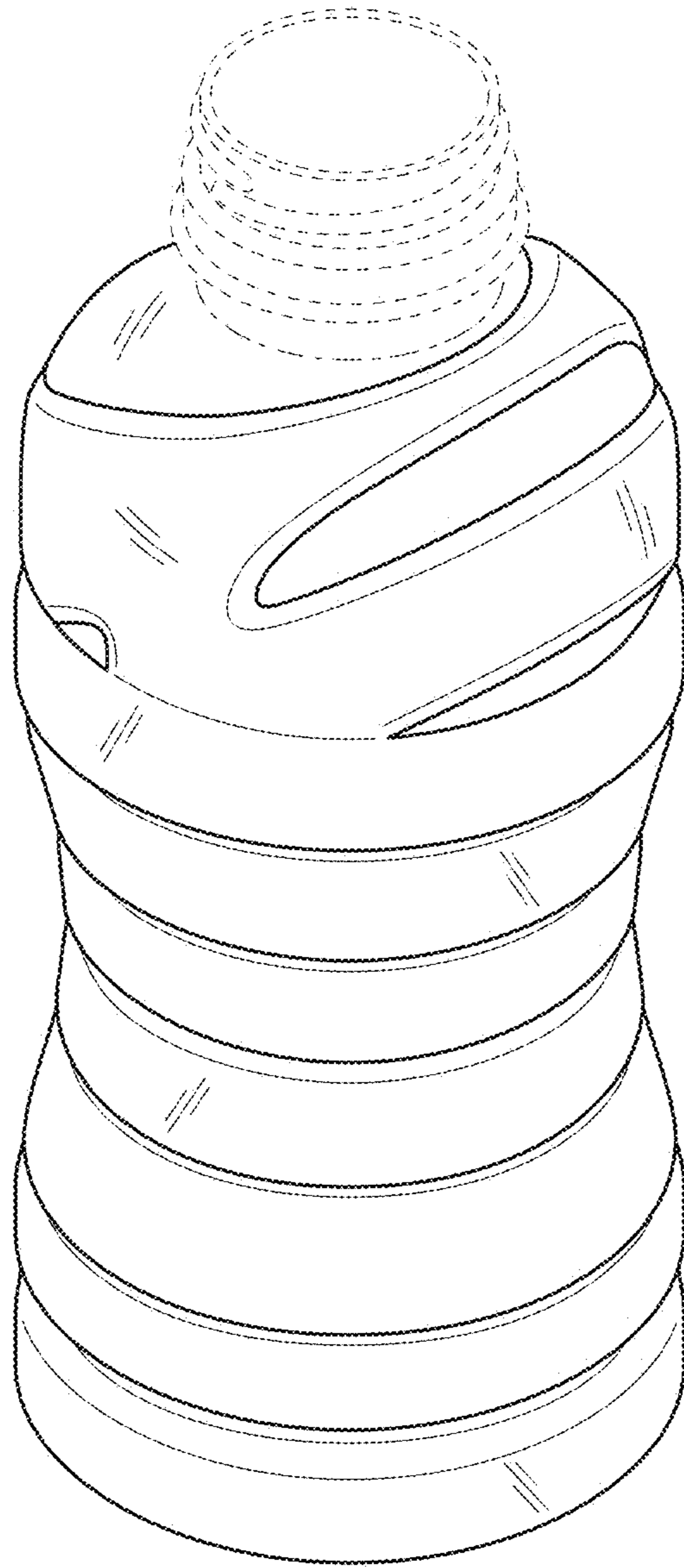


FIG. 25

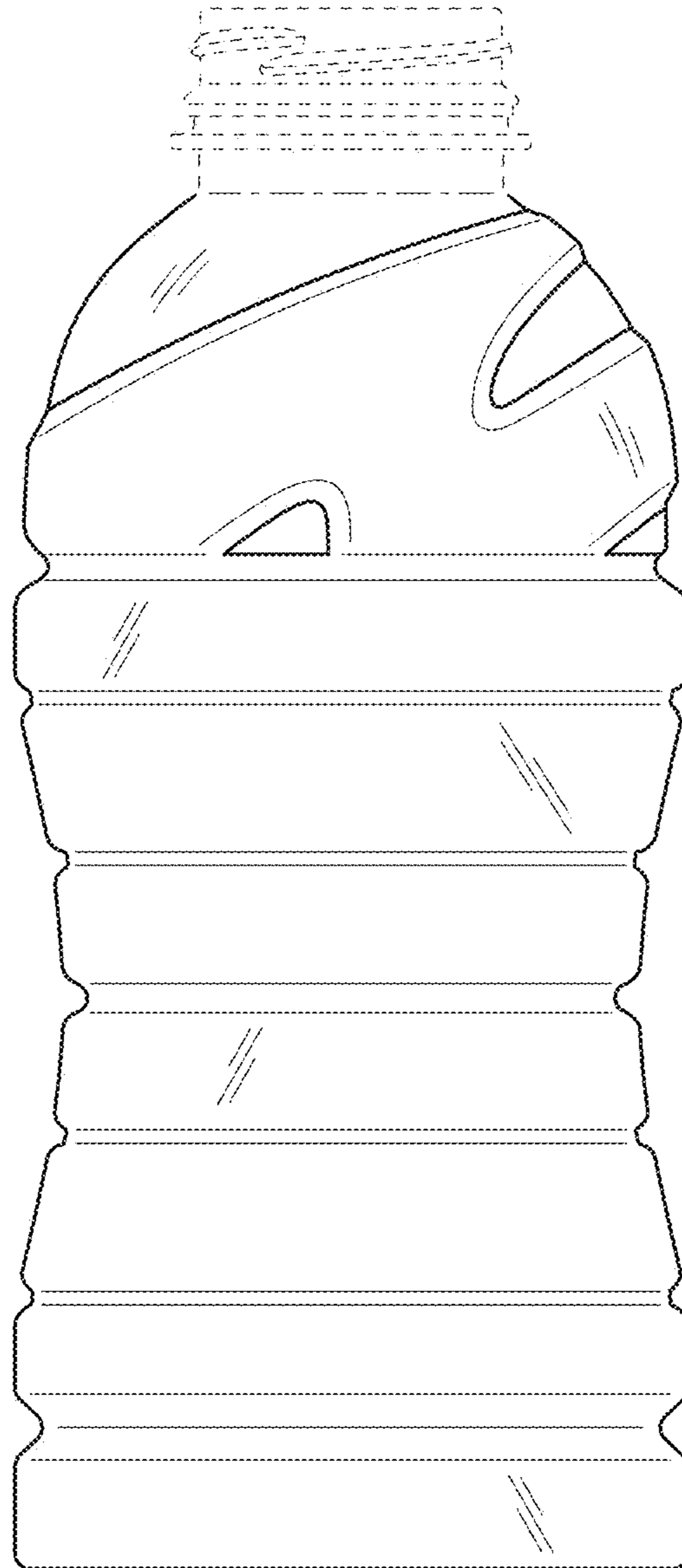


FIG. 26

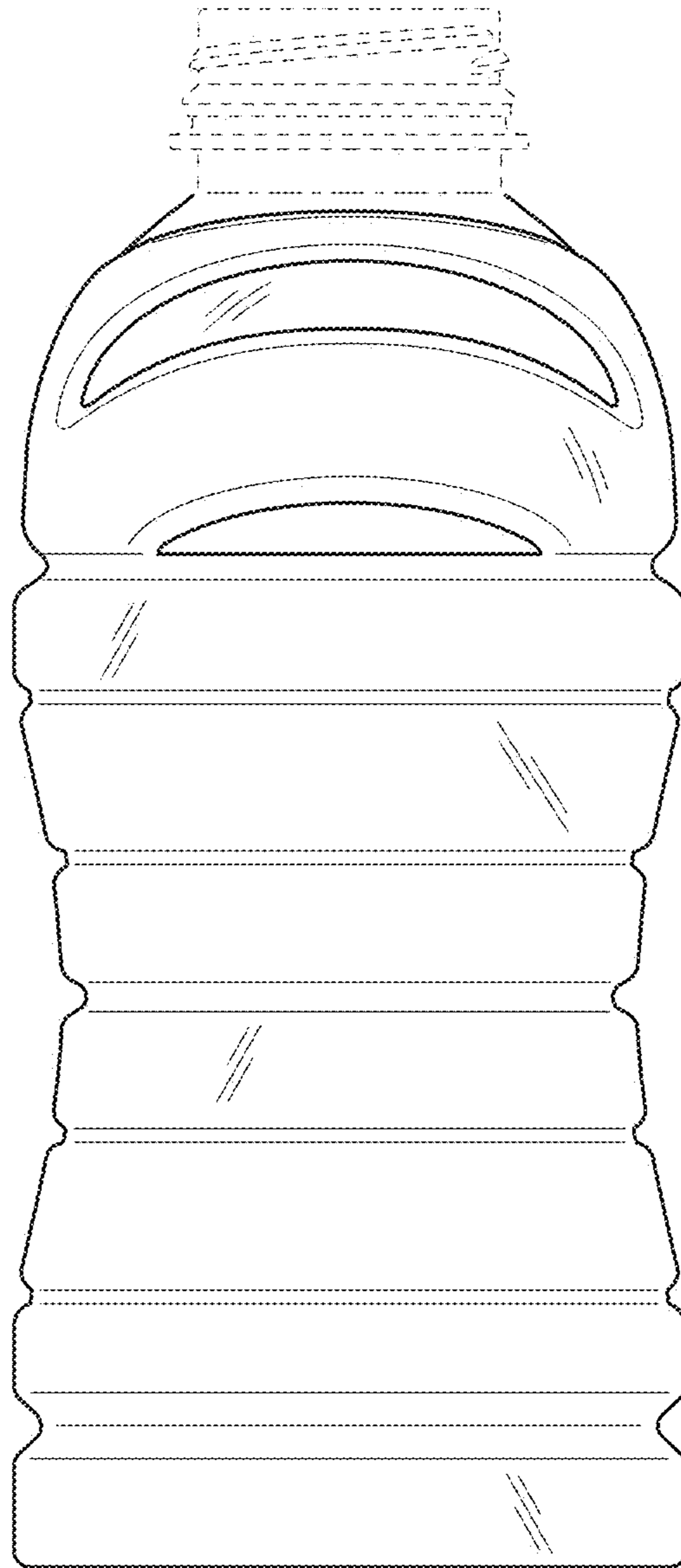


FIG. 27

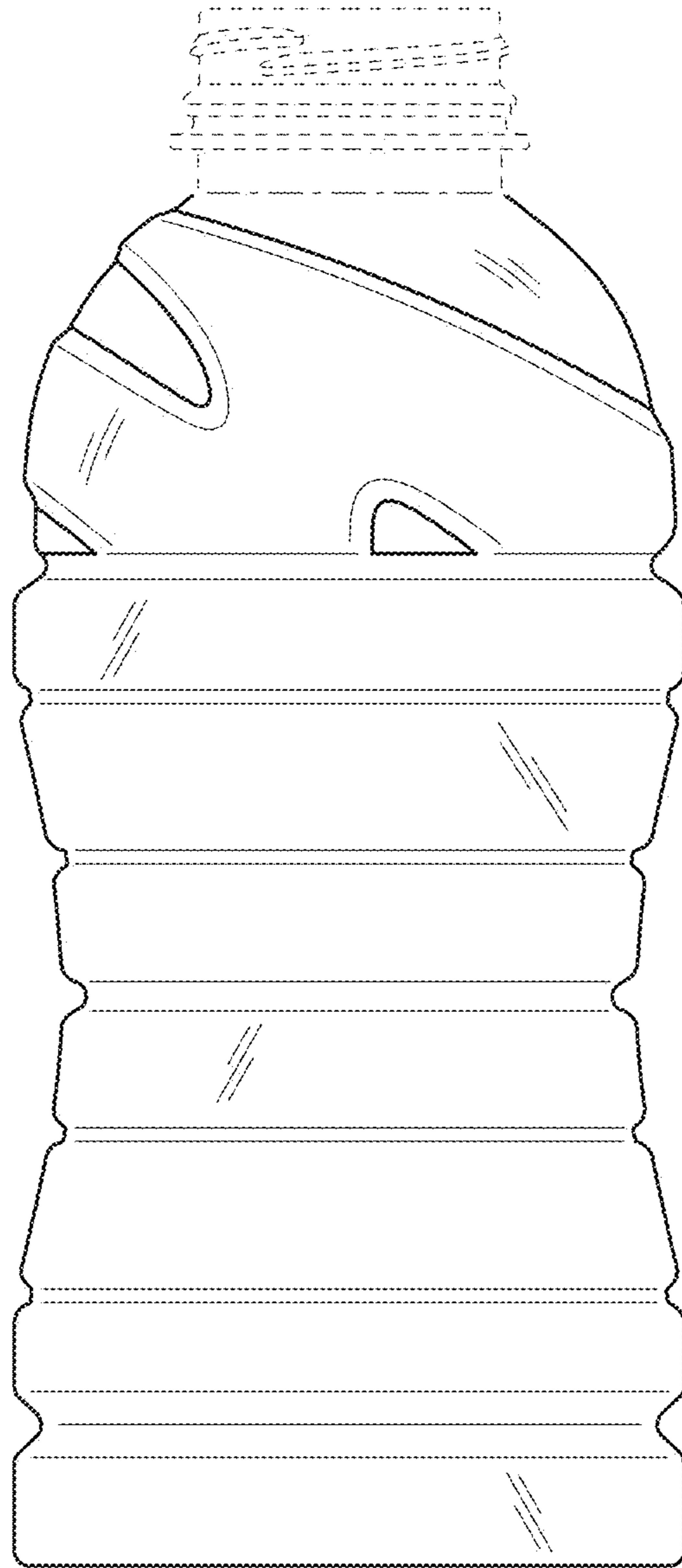


FIG. 28

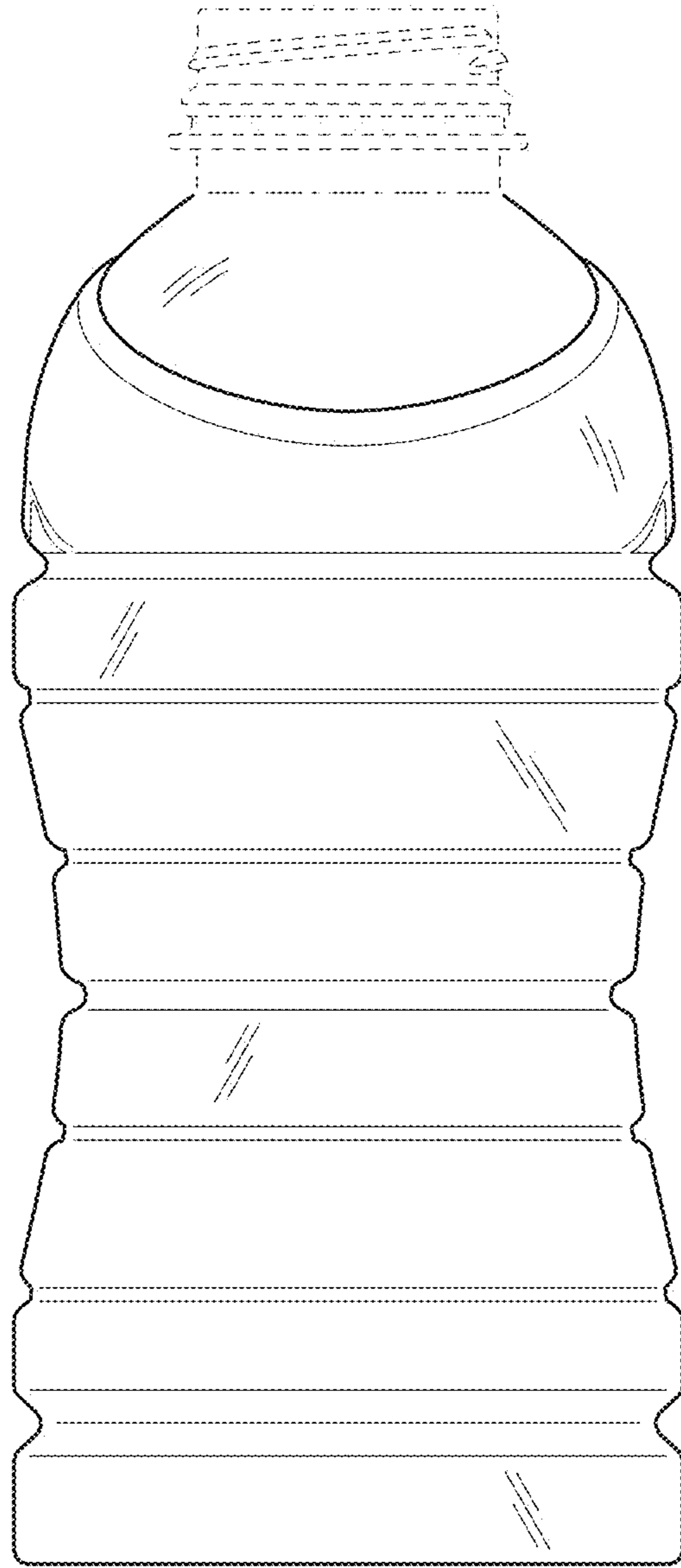


FIG. 29

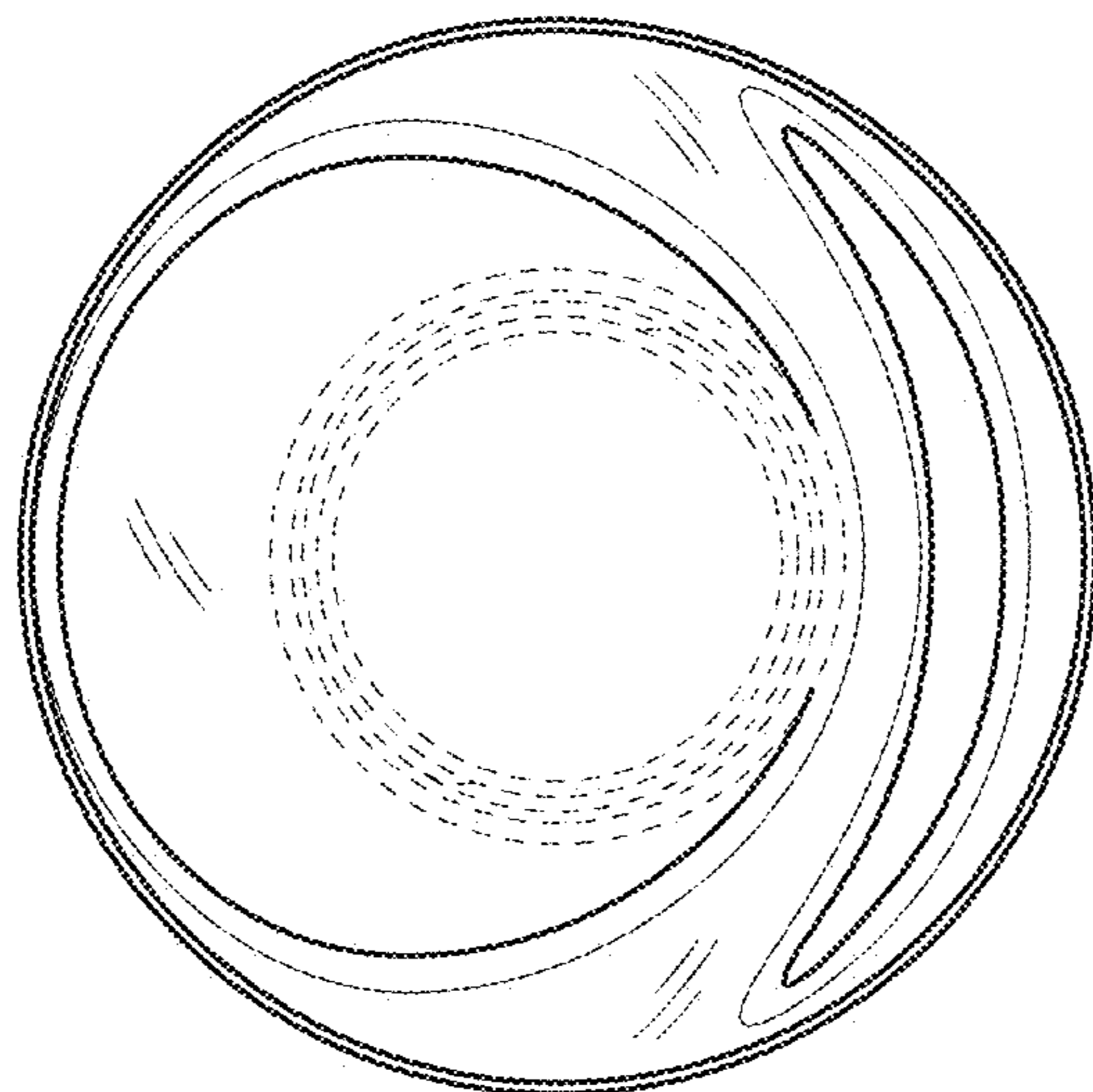


FIG. 30

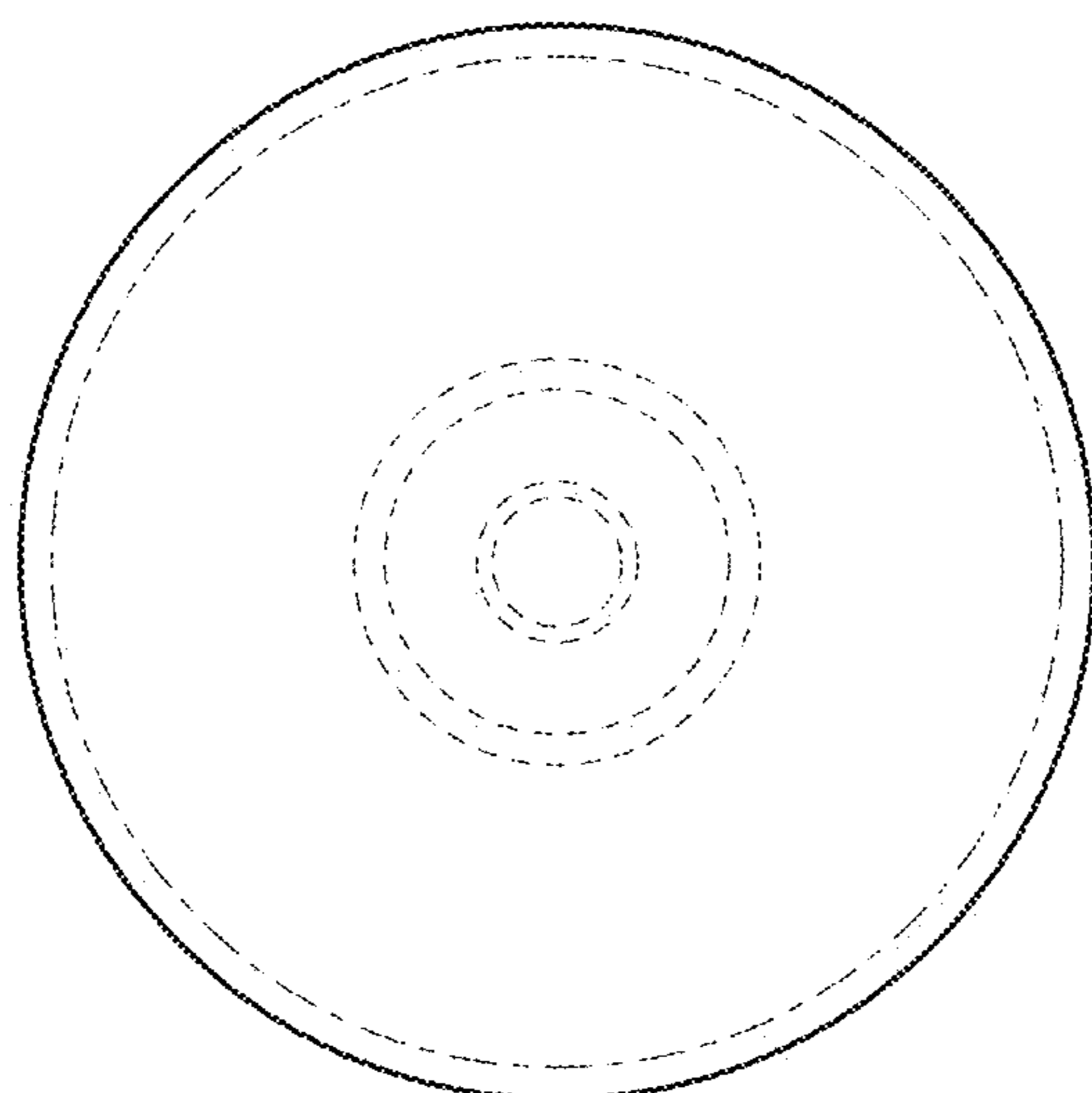


FIG. 31

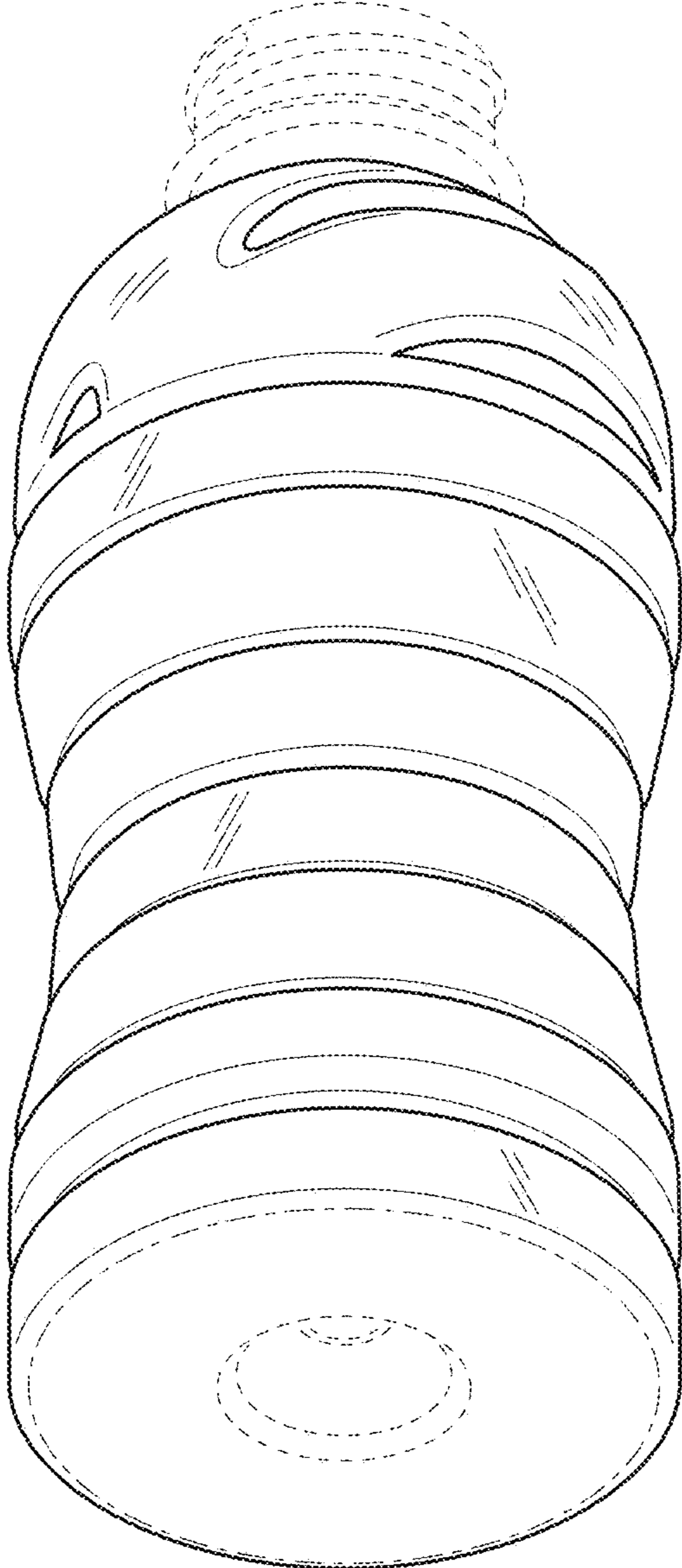


FIG. 32