



US00D682694S

(12) **United States Design Patent**
van den Hoonard

(10) **Patent No.:** **US D682,694 S**

(45) **Date of Patent:** **** May 21, 2013**

(54) **CAP CLOSURE COVER**

(75) **Inventor:** **Paul Edwin van den Hoonard,**
Peachtree City, GA (US)

(73) **Assignee:** **IPN USA Corporation,** Peachtree City,
GA (US)

(**) **Term:** **14 Years**

(21) **Appl. No.:** **29/408,130**

(22) **Filed:** **Dec. 7, 2011**

(51) **LOC (9) Cl.** **09-07**

(52) **U.S. Cl.**
USPC **D9/451; D9/445**

(58) **Field of Classification Search**
USPC D9/600, 661-664, 434, 441, 445,
D9/451; D11/225; D7/511, 514-515, 518,
D7/521, 392.1; 206/457, 527, 540; 220/890
See application file for complete search history.

(56) **References Cited**

U.S. PATENT DOCUMENTS

D91,650 S *	3/1934	Elliott	D9/451
D124,061 S *	12/1940	Derham	D9/451
D154,988 S *	8/1949	Carter	D9/661
D157,262 S *	2/1950	Jung	D9/451

D337,264 S *	7/1993	Pagina	D9/661
D390,105 S *	2/1998	Lalique	D9/661
D405,359 S *	2/1999	Thierry et al.	D9/661
D412,276 S *	7/1999	Arslanian	D9/661
D494,855 S *	8/2004	McElligott	D9/663
D515,935 S *	2/2006	Lin	D9/663
D546,684 S *	7/2007	Crawford et al.	D9/451
D666,911 S *	9/2012	Modha et al.	D9/451

* cited by examiner

Primary Examiner — Sandra Morris

(74) *Attorney, Agent, or Firm* — Ryan A. Schneider;
Troutman Sanders LLP

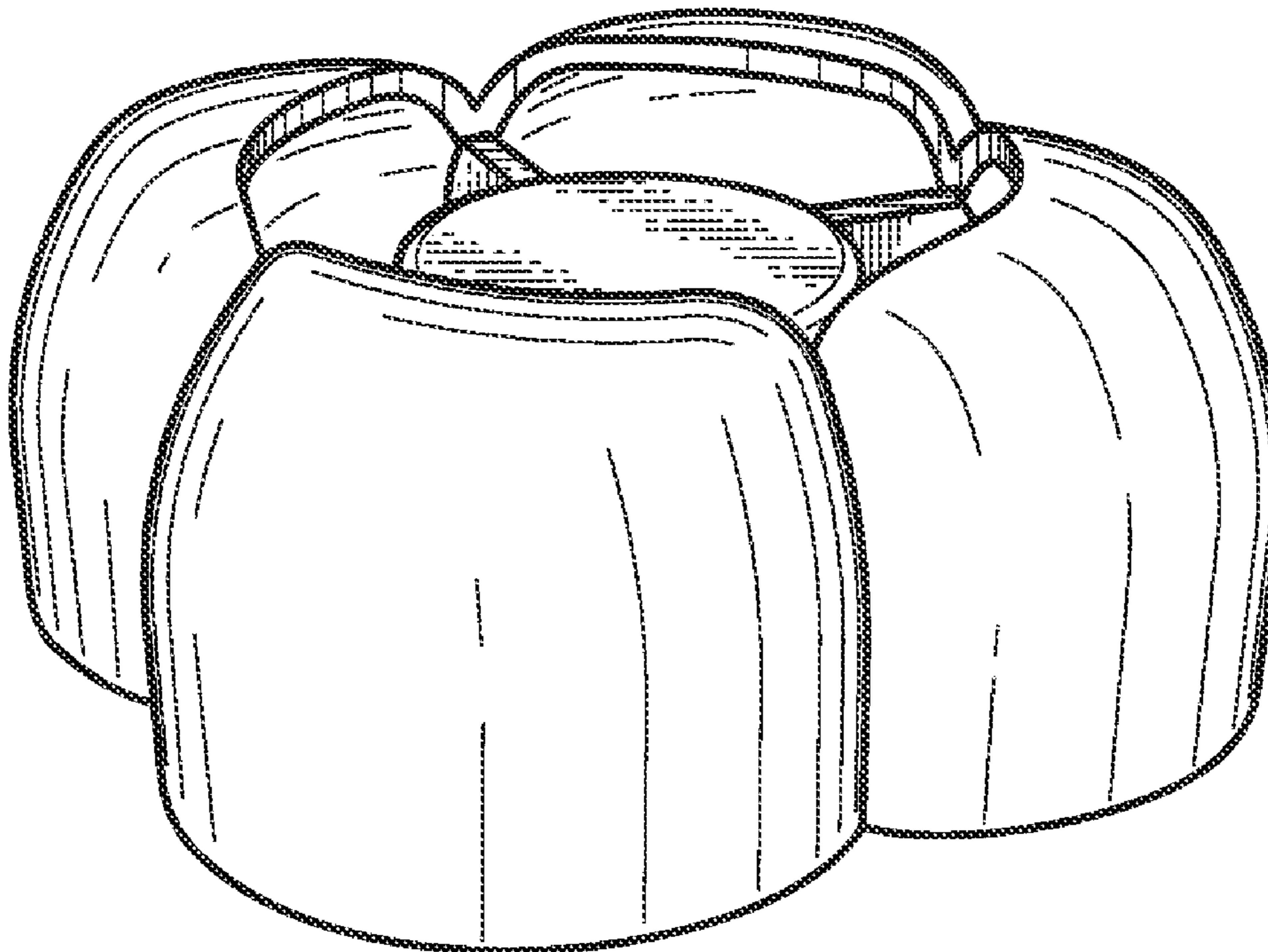
(57) **CLAIM**

The ornamental design for a cap closure cover, as shown and described.

DESCRIPTION

FIG. 1. is a perspective view of a cap closure, showing my new invention;
FIG. 2. is a bottom perspective view thereof;
FIG. 3. is a top view thereof;
FIG. 4. is a front view thereof; and,
FIG. 5. is a side view thereof.

1 Claim, 2 Drawing Sheets



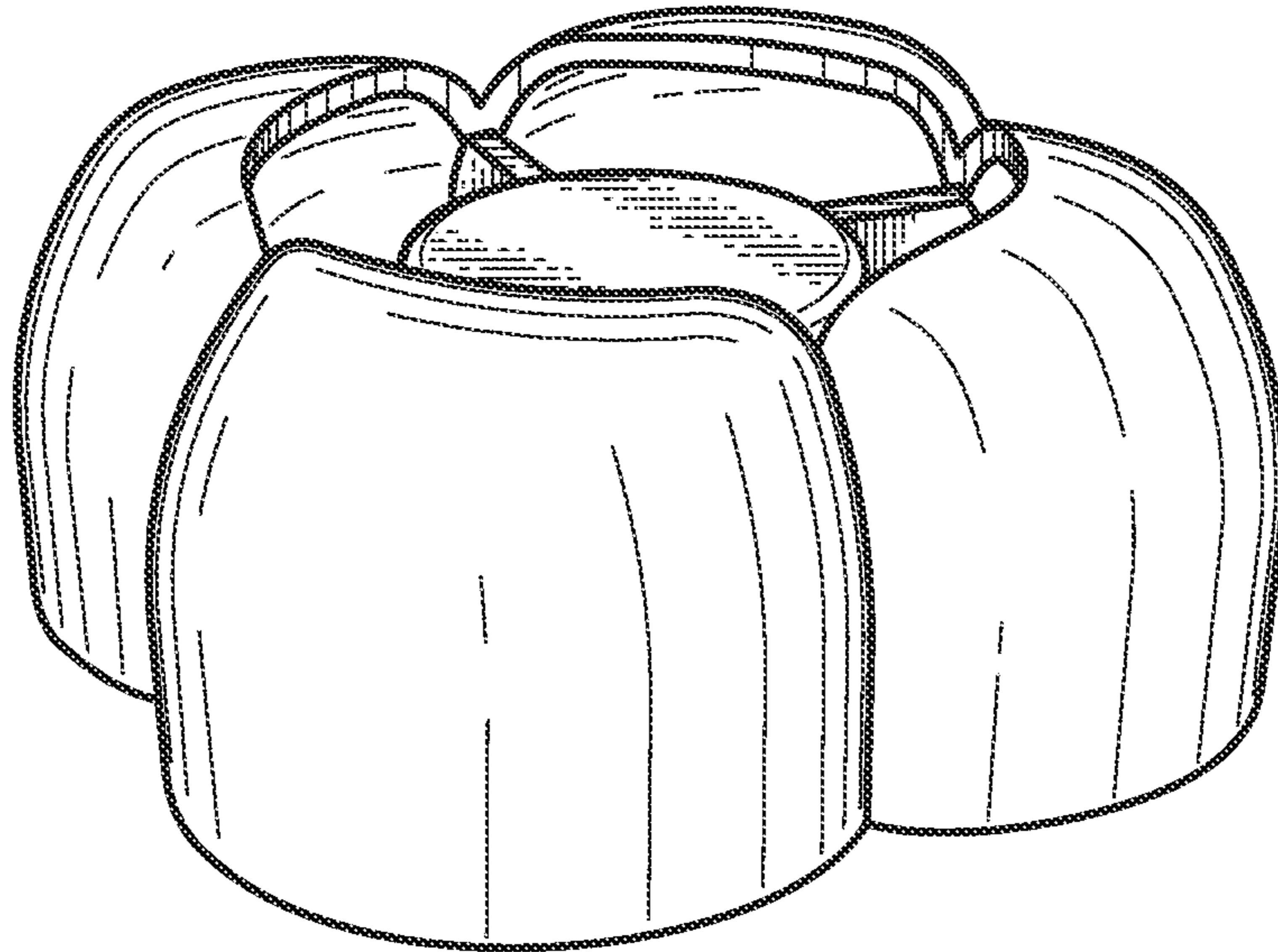


FIG. 1

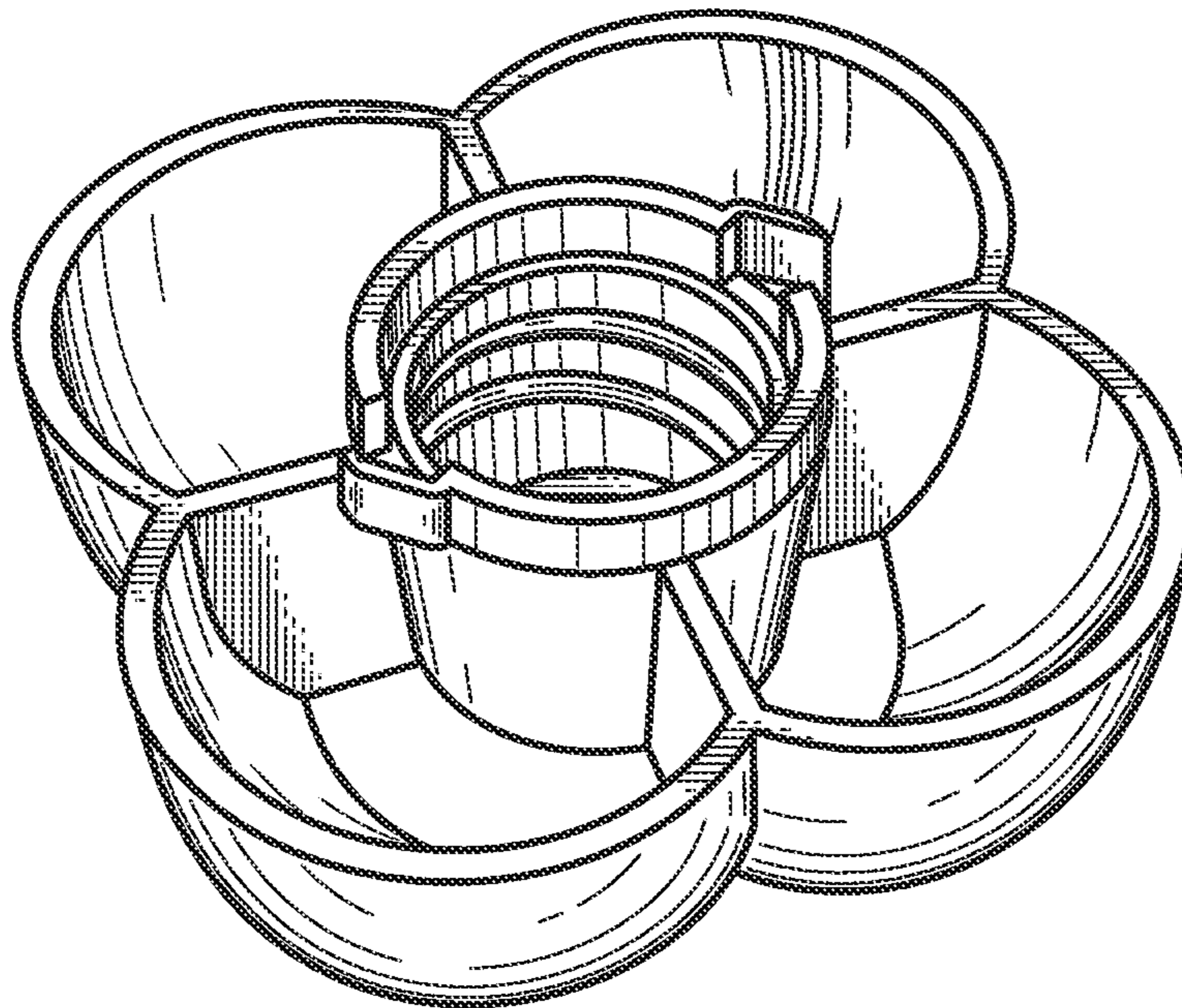


FIG. 2

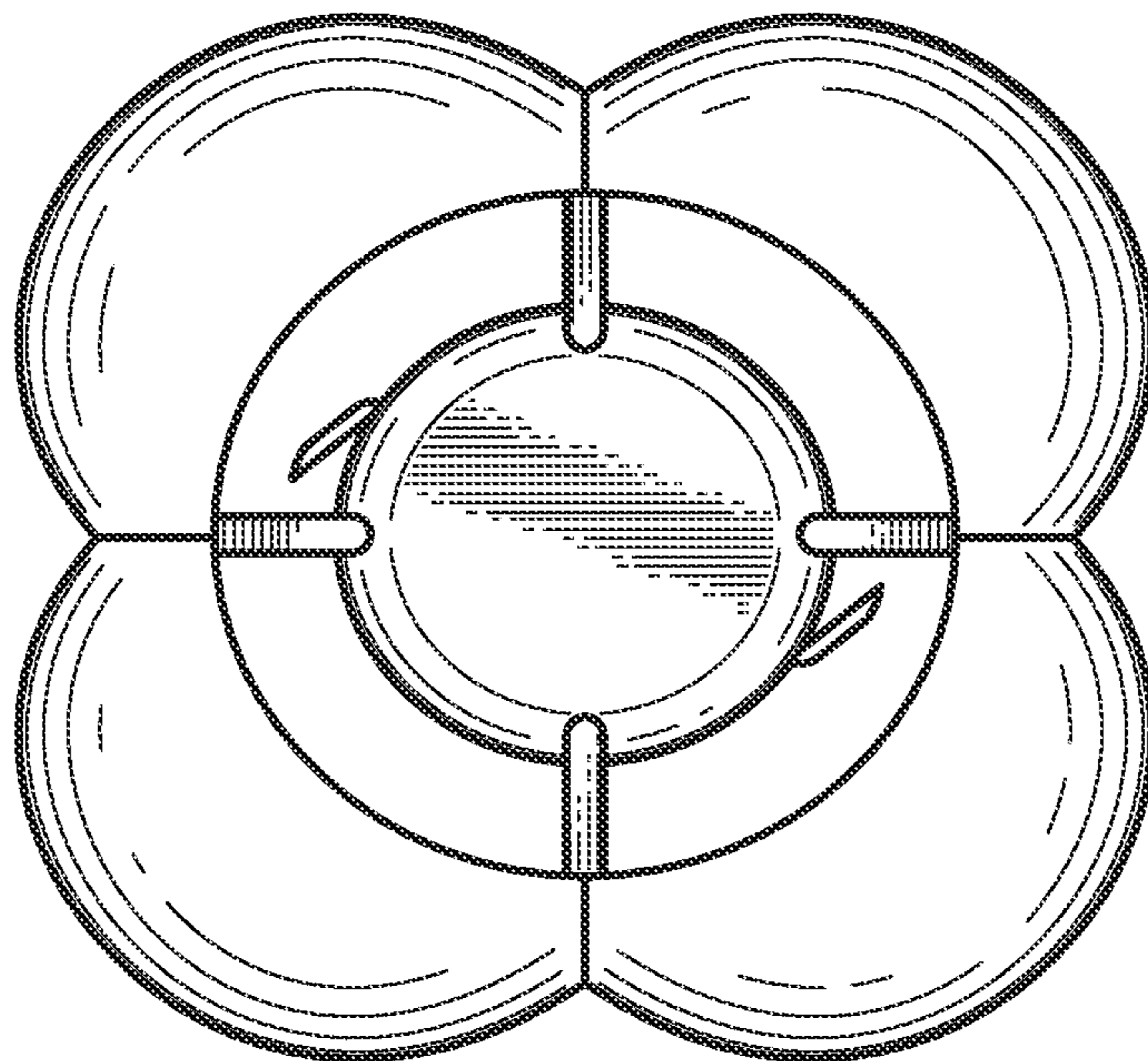


FIG. 3

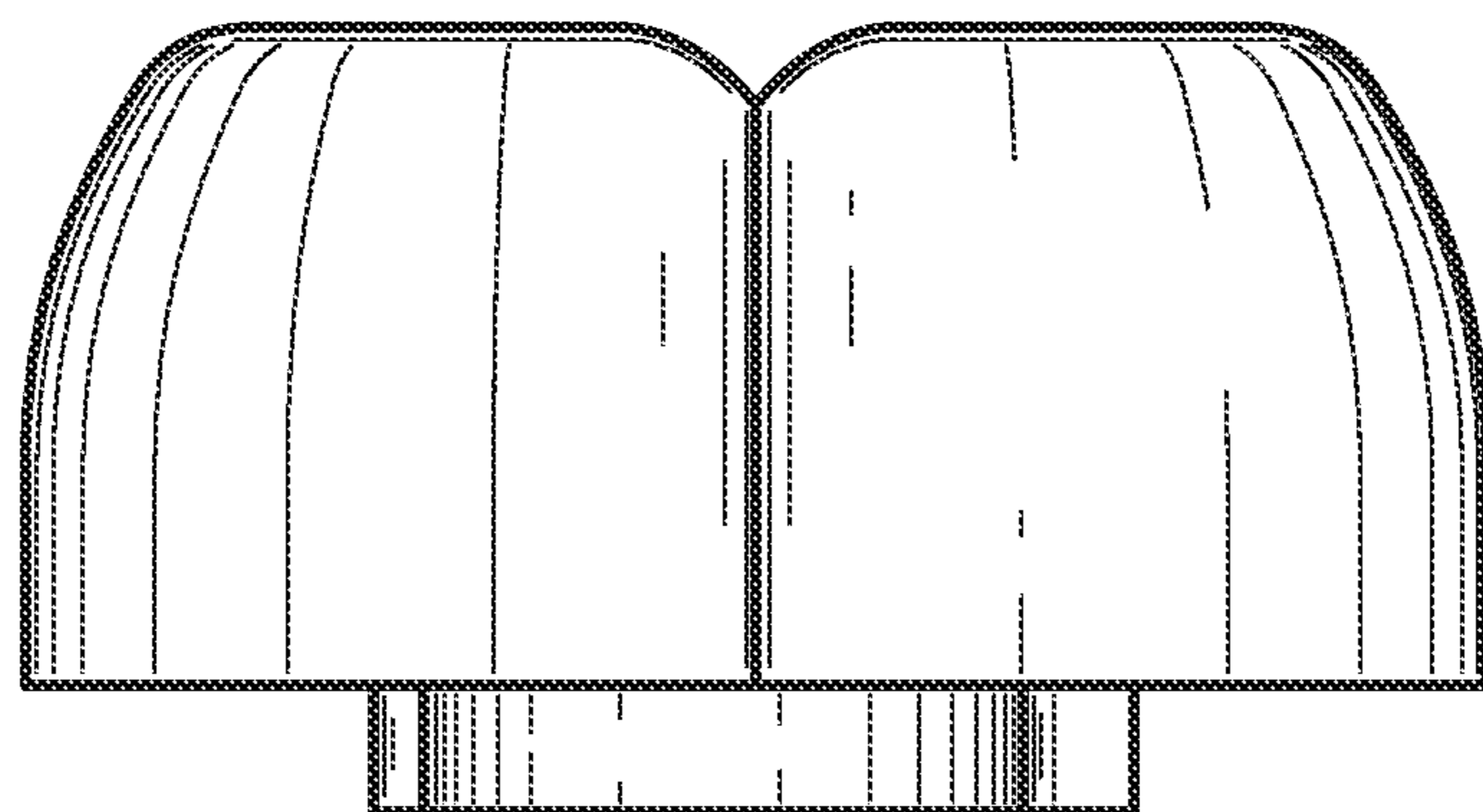


FIG. 4

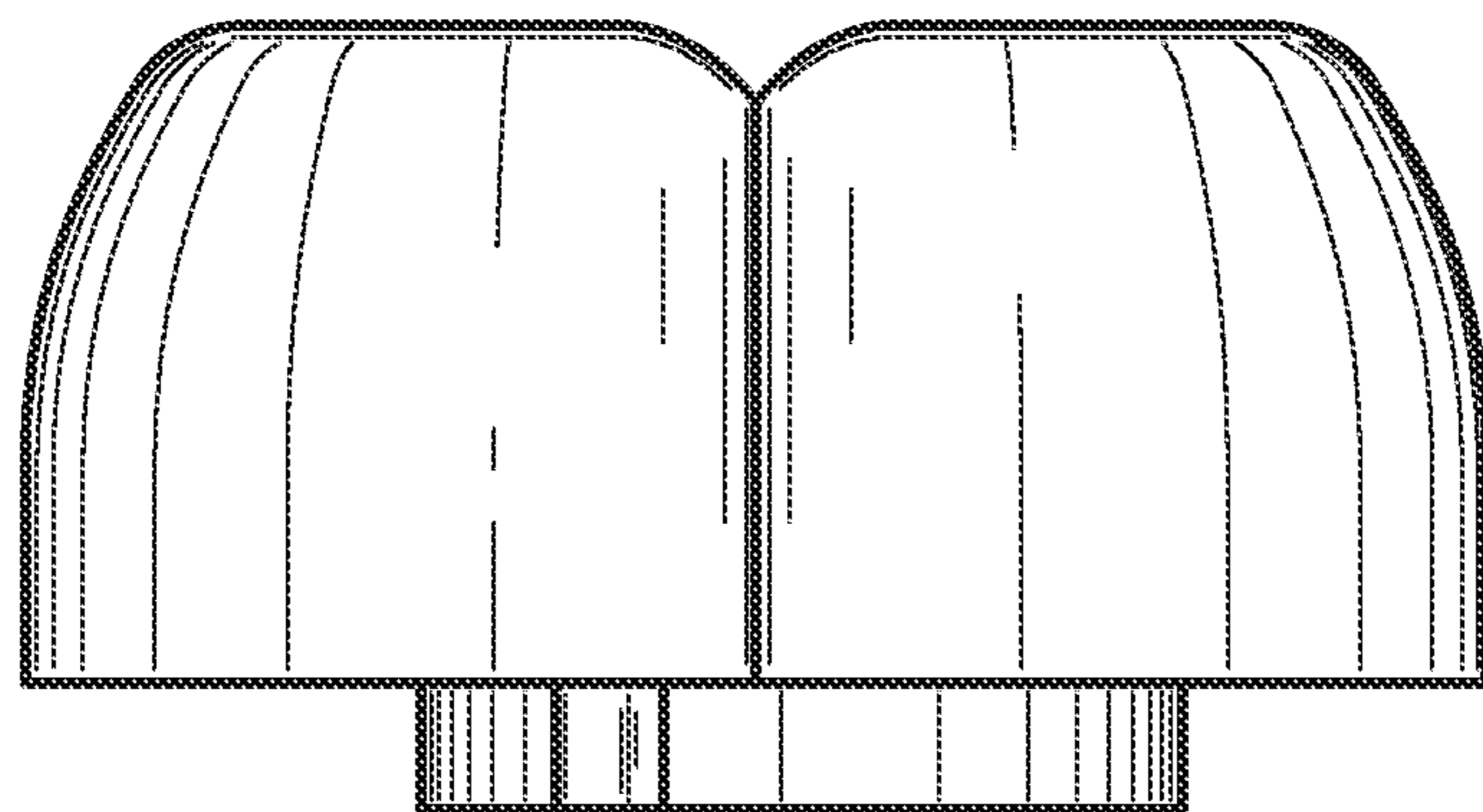


FIG. 5