



US00D682693S

(12) **United States Design Patent**
Cocuzzi

(10) **Patent No.:** **US D682,693 S**

(45) **Date of Patent:** **** May 21, 2013**

(54) **CHOKe PROOF CAP**

(75) Inventor: **Nicole Michele Cocuzzi**, Cincinnati, OH
(US)

(73) Assignee: **Ampac Holdings LLC**, Cincinnati, OH
(US)

(**) Term: **14 Years**

(21) Appl. No.: **29/406,904**

(22) Filed: **Nov. 21, 2011**

(51) **LOC (9) Cl.** **09-07**

(52) **U.S. Cl.**
USPC **D9/443**

(58) **Field of Classification Search** D9/453,
D9/452, 451, 443, 439, 432, 420; D7/628;
D24/115; D12/197; D11/157; 229/125.04,
229/125.09, 117.3; 222/498, 481; 220/786,
220/269-270, 254.1, 228; 215/355-364,
215/247, 235; 206/423

See application file for complete search history.

(56) **References Cited**

U.S. PATENT DOCUMENTS

D35,580 S *	1/1902	Meinecke	D9/439
D75,852 S *	7/1928	Lelong	D9/542
D87,342 S *	7/1932	Guerlain	D9/545
1,912,084 A *	5/1933	Marcum	215/200
D141,518 S *	6/1945	Porterhouse	D9/439
D169,266 S *	4/1953	Lehmann	D9/443

D207,887 S *	6/1967	Parsisson et al.	D9/439
D329,980 S *	10/1992	Powell et al.	D9/443
D411,451 S *	6/1999	Young	D9/443
D451,337 S *	12/2001	Sum	D7/387
D536,968 S *	2/2007	Keller	D9/439
D551,078 S *	9/2007	Last	D9/451
D640,561 S *	6/2011	Seys	D9/505

* cited by examiner

Primary Examiner — Susan Bennett Hattan

(74) *Attorney, Agent, or Firm* — Perman & Green, LLP

(57) **CLAIM**

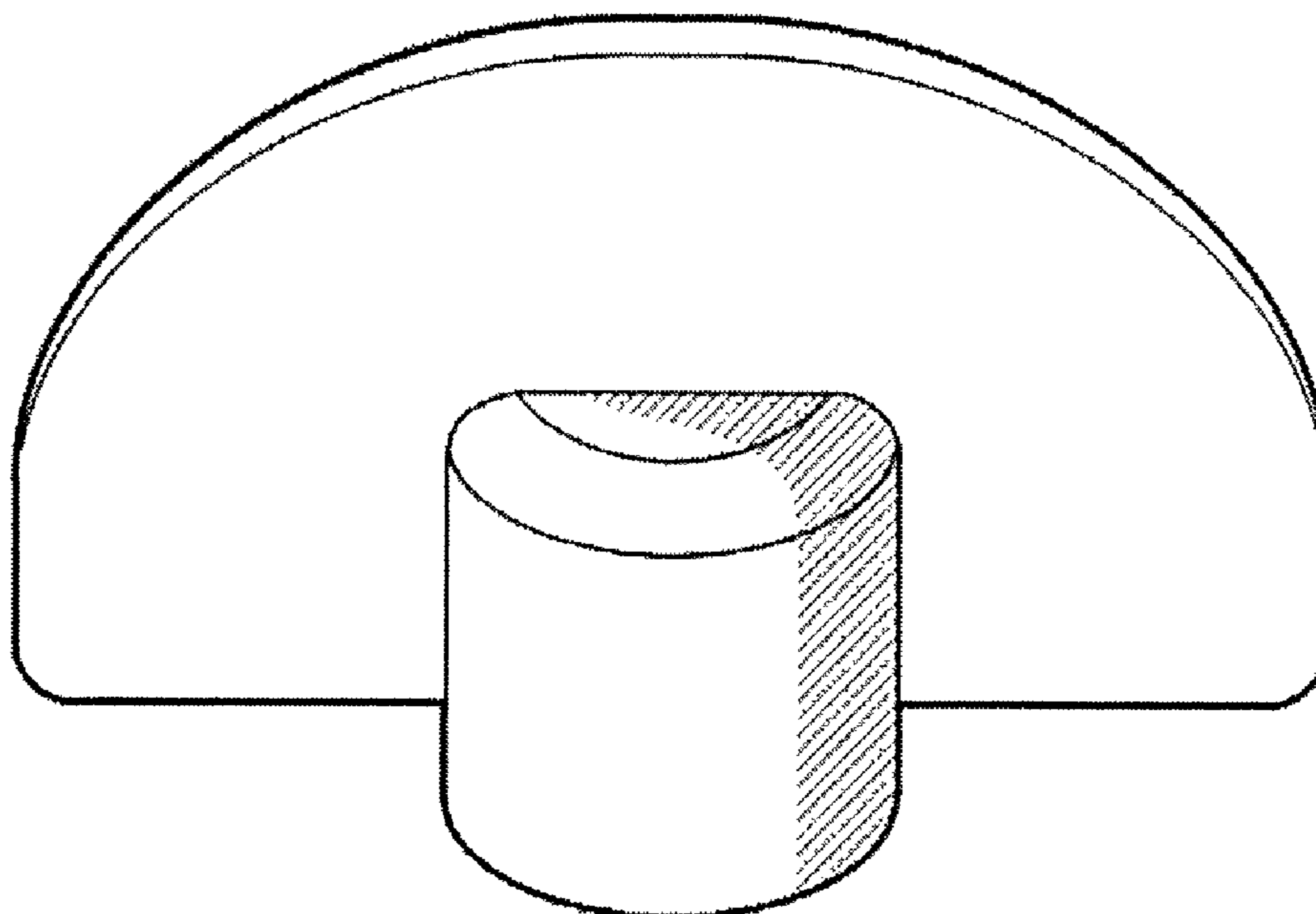
The ornamental design for a choke proof cap, substantially as shown and described.

DESCRIPTION

FIG. 1 is a front perspective view of a choke proof cap in accordance with the present invention; FIG. 2 is a top plan view of the choke proof cap of FIG. 1; FIG. 3 is a front elevation view of the choke proof cap of FIG. 1; FIG. 4 is a right side elevation view of the choke proof cap of FIG. 1; FIG. 5 is a bottom plan view of the choke proof cap of FIG. 1; FIG. 6 is a front perspective view of a choke proof cap of FIG. 1 affixed to a pouch; and, FIG. 7 is a front perspective view of a choke proof cap of FIG. 6 with the choke proof cap removed.

The portions of FIG. 5, FIG. 6, and FIG. 7 that are shown in broken lines depict environmental subject matter only and form no part of the claimed design.

1 Claim, 7 Drawing Sheets



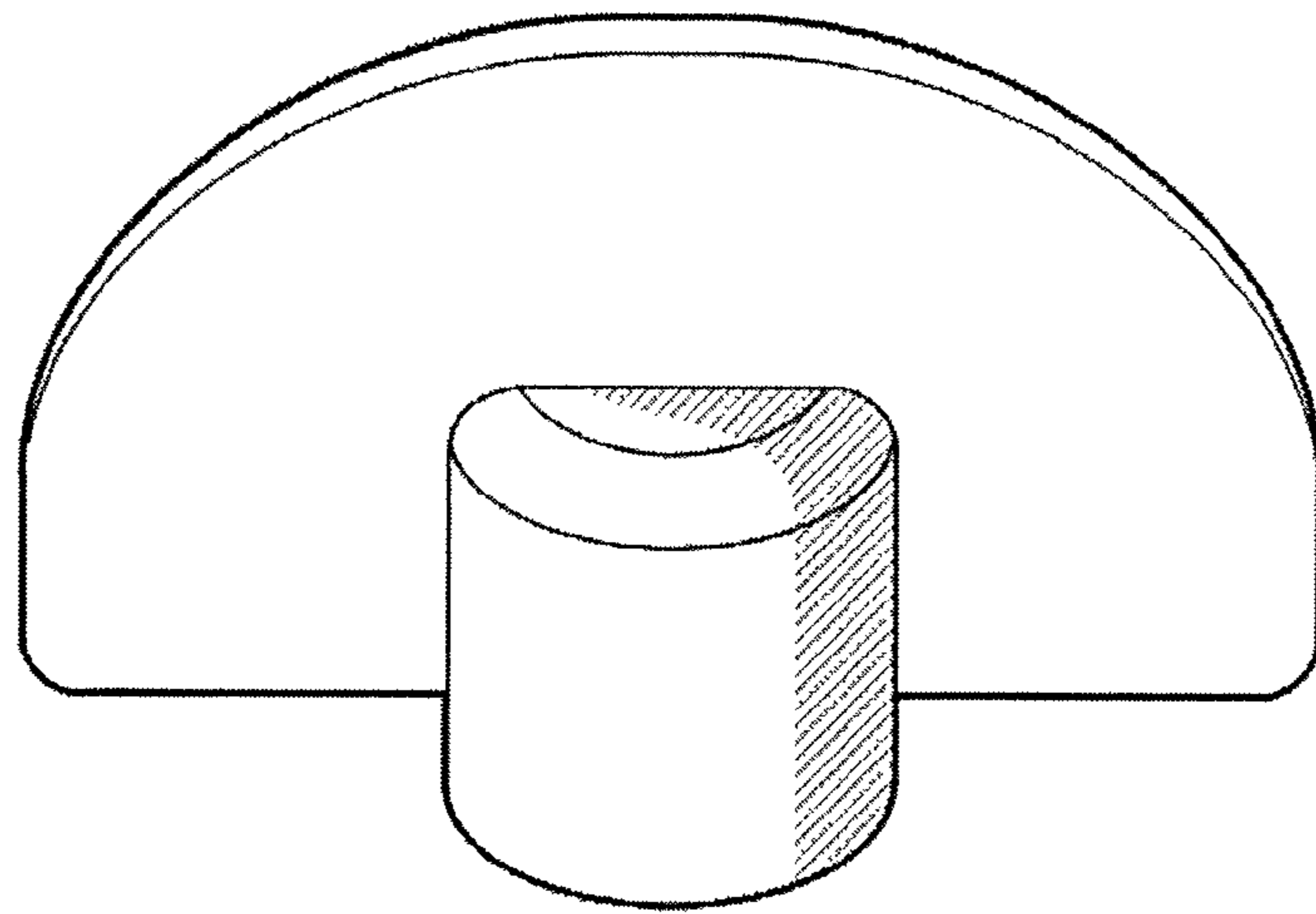


FIG.1

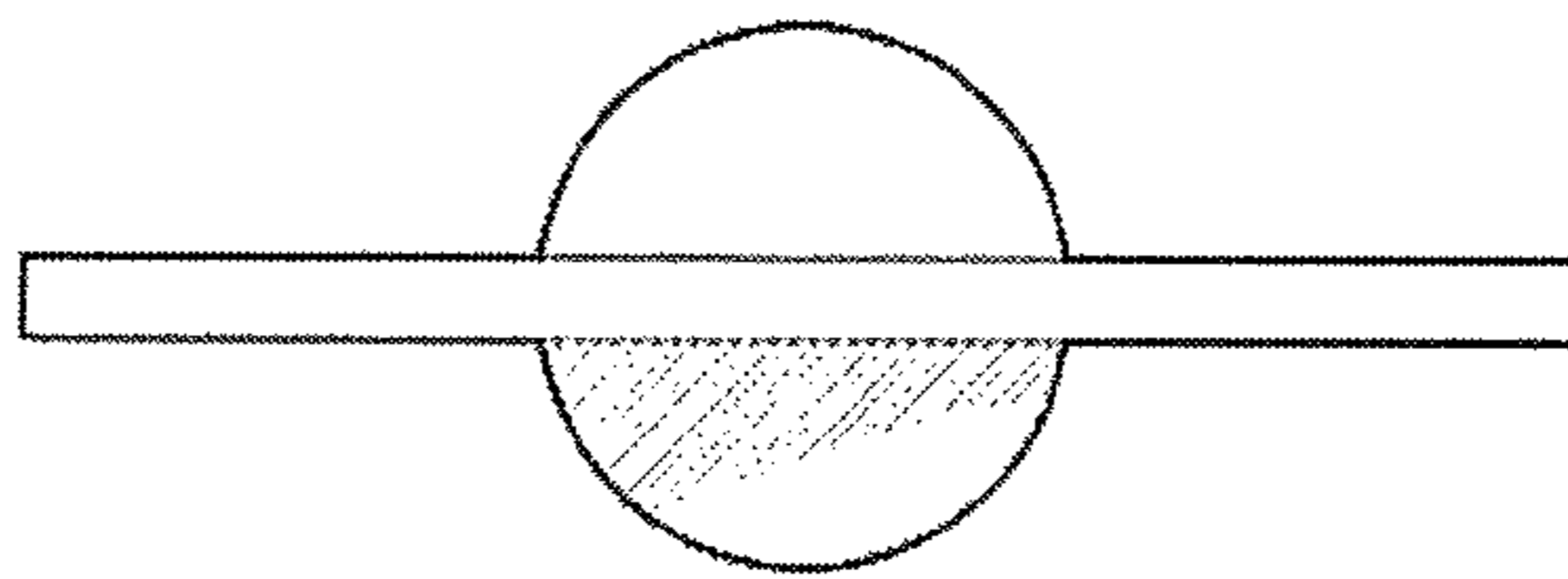


FIG. 2

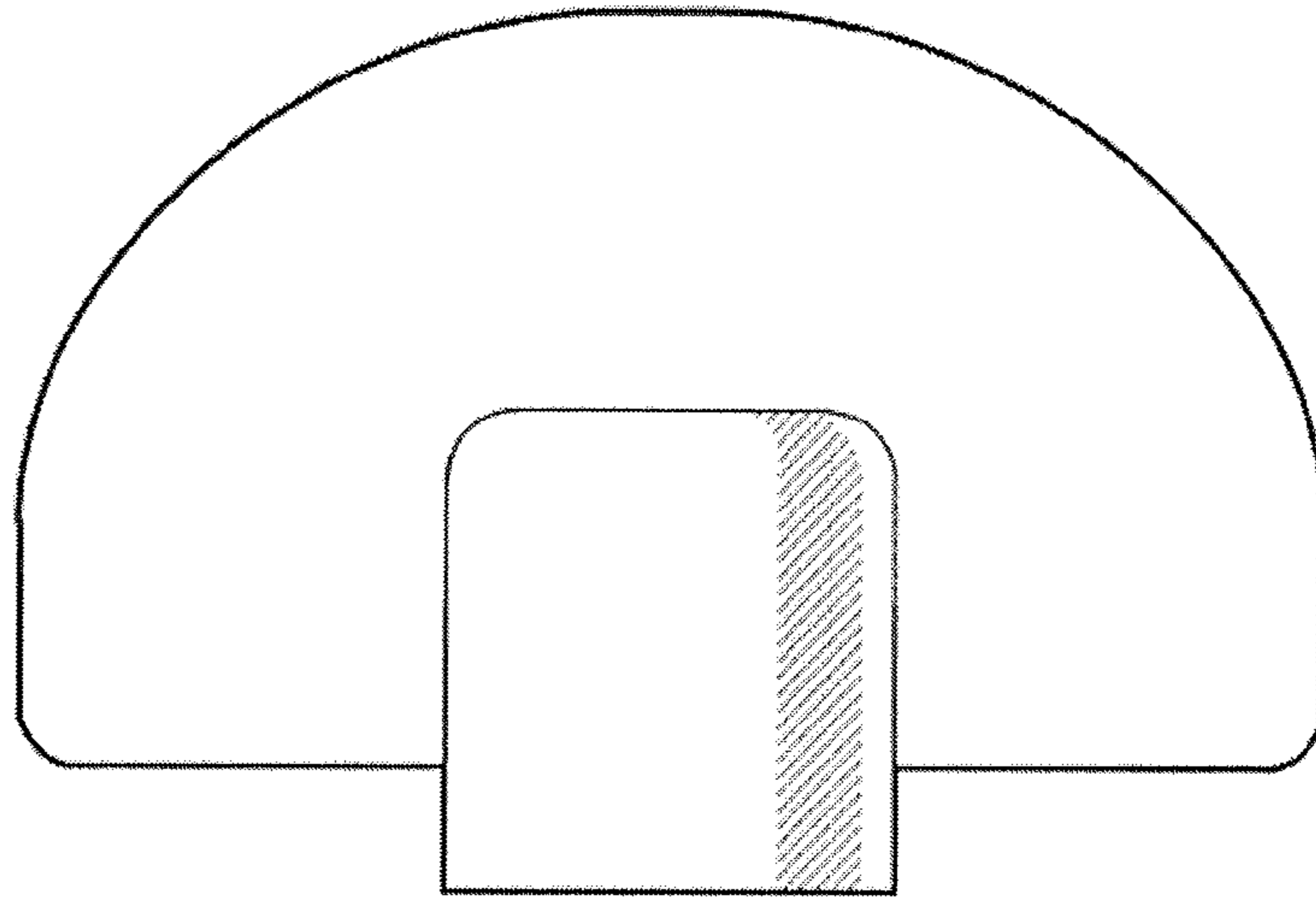


FIG. 3

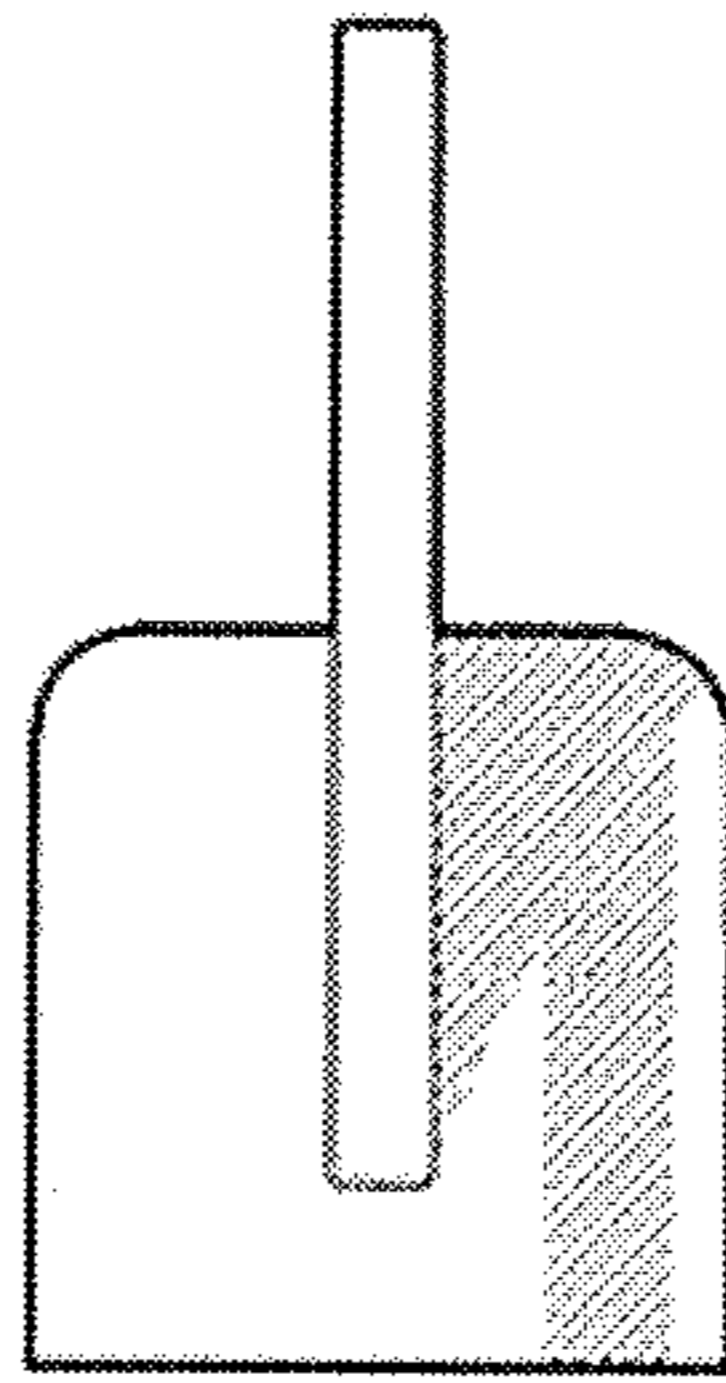


FIG. 4

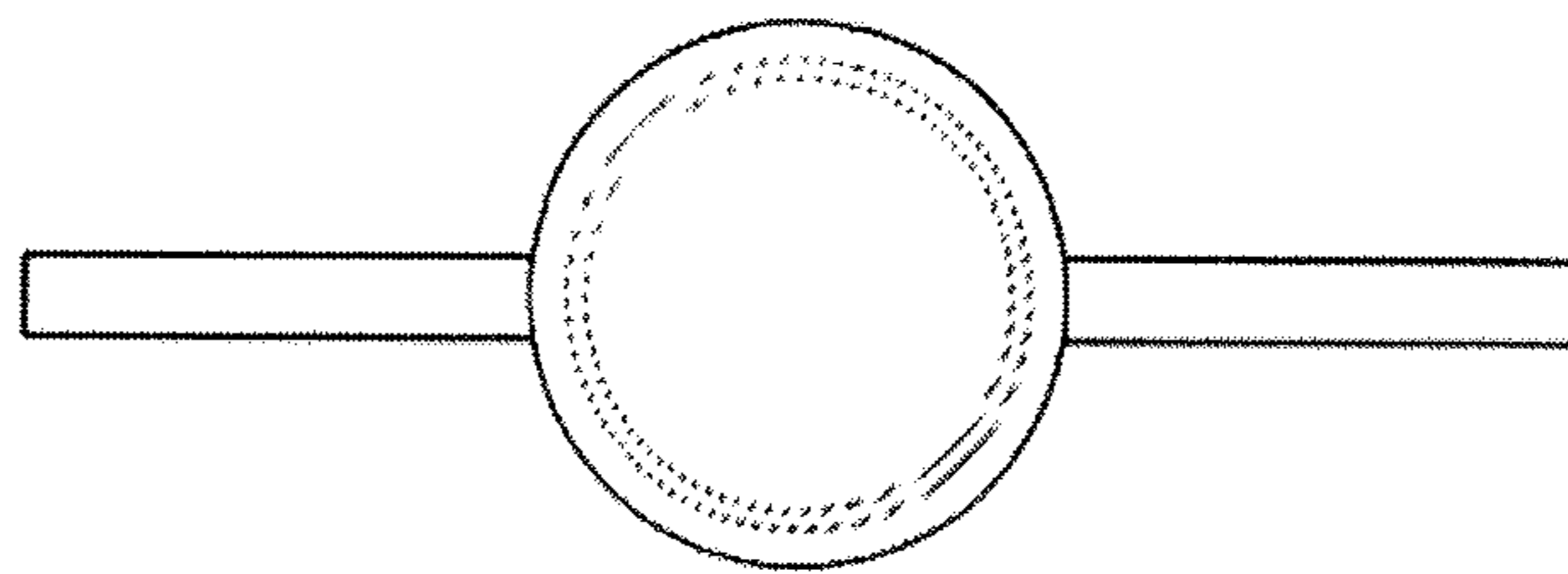


FIG. 5

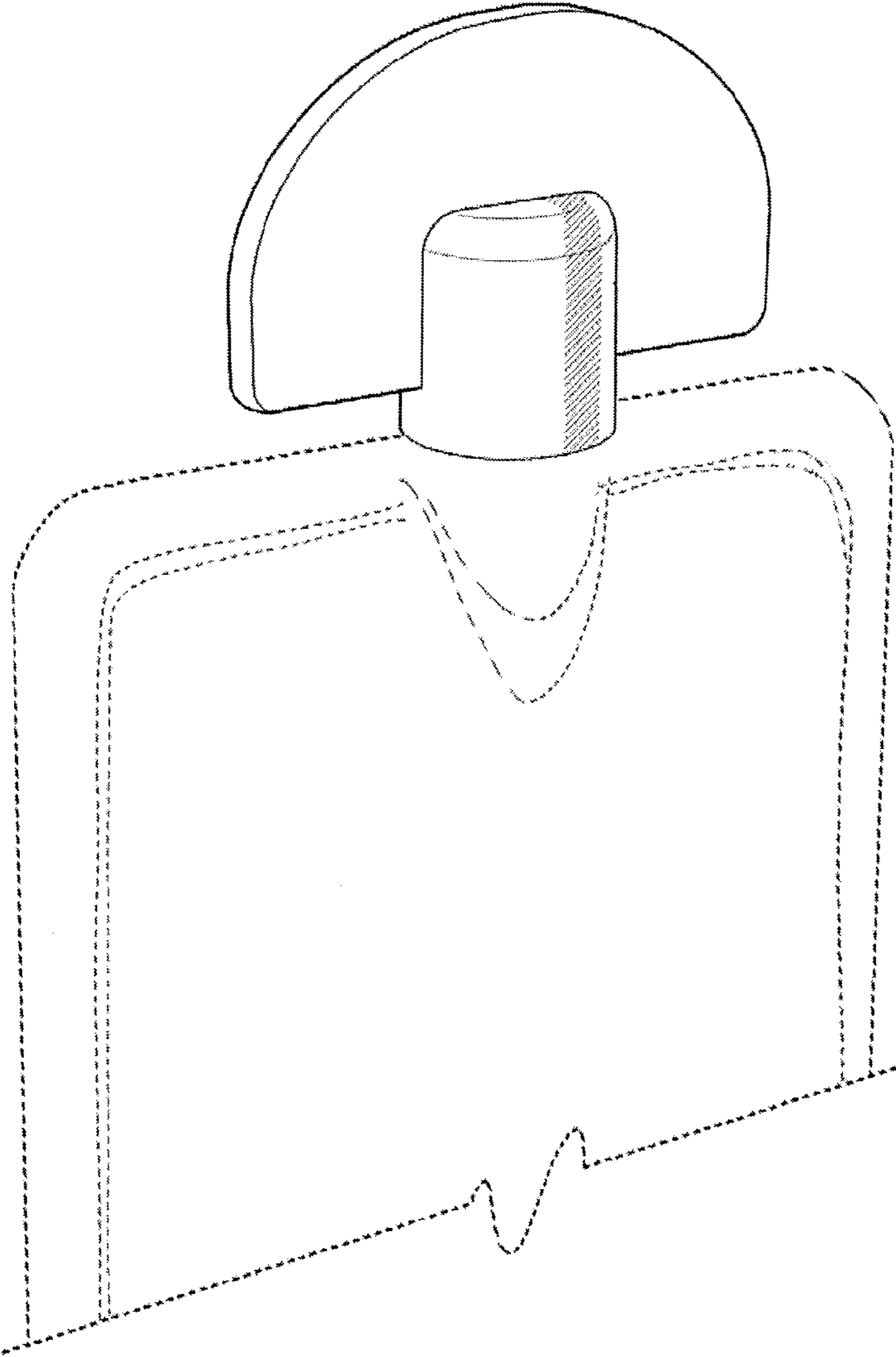


FIG. 6

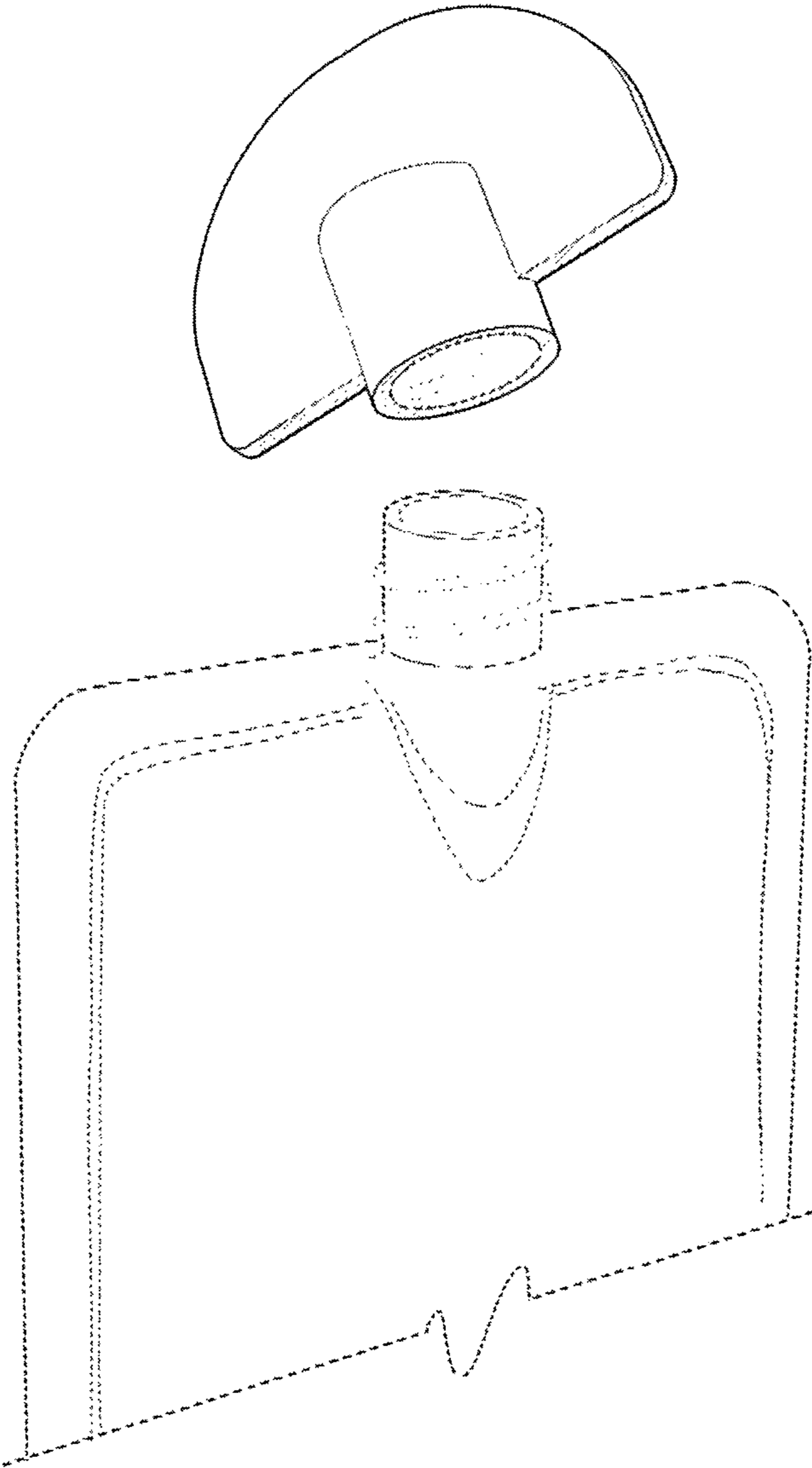


FIG. 7