



US00D682692S

(12) **United States Design Patent**
Adjeleian

(10) **Patent No.:** **US D682,692 S**

(45) **Date of Patent:** **** May 21, 2013**

(54) **BOTTLE STOPPER**

(75) Inventor: **Michael John Adjeleian**, Kemptville (CA)

(73) Assignee: **3849953 Canada Inc.**, Kemptville (CA)

(**) Term: **14 Years**

(21) Appl. No.: **29/413,511**

(22) Filed: **Feb. 16, 2012**

(51) **LOC (9) Cl.** **09-07**

(52) **U.S. Cl.**
USPC **D9/439**; D9/443

(58) **Field of Classification Search** D9/453,
D9/452, 451, 443, 439, 432, 420; D7/628;
D24/115; D12/197; D11/157; 229/125.04,
229/125.09, 117.3; 222/498, 481; 220/786,
220/269-270, 254.1, 228; 215/355-364,
215/247, 235; 206/423

See application file for complete search history.

(56) **References Cited**

U.S. PATENT DOCUMENTS

259,418	A *	6/1882	Norris	215/235
1,077,328	A	11/1913	Bowyer	
1,098,051	A *	5/1914	Pick	215/364
1,240,511	A *	9/1917	Thatcher	215/290
1,635,955	A *	7/1927	Poupart	215/355
D82,992	S *	1/1931	Jones	D9/505
2,044,837	A	6/1936	Davis	
D149,834	S *	6/1948	Perkins	D9/443
D284,549	S *	7/1986	Vaussanvin	D3/202
D342,903	S *	1/1994	Ricci	D9/545
D414,685	S *	10/1999	Chahed	D9/691

D468,824 S * 1/2003 Zamikhovsky D24/115
D623,058 S * 9/2010 Gilbert D9/443
2011/0042342 A1 2/2011 Adjeleian

* cited by examiner

Primary Examiner — Susan Bennett Hattan

(74) *Attorney, Agent, or Firm* — Porter, Wright, Morris & Arthur LLP

(57) **CLAIM**

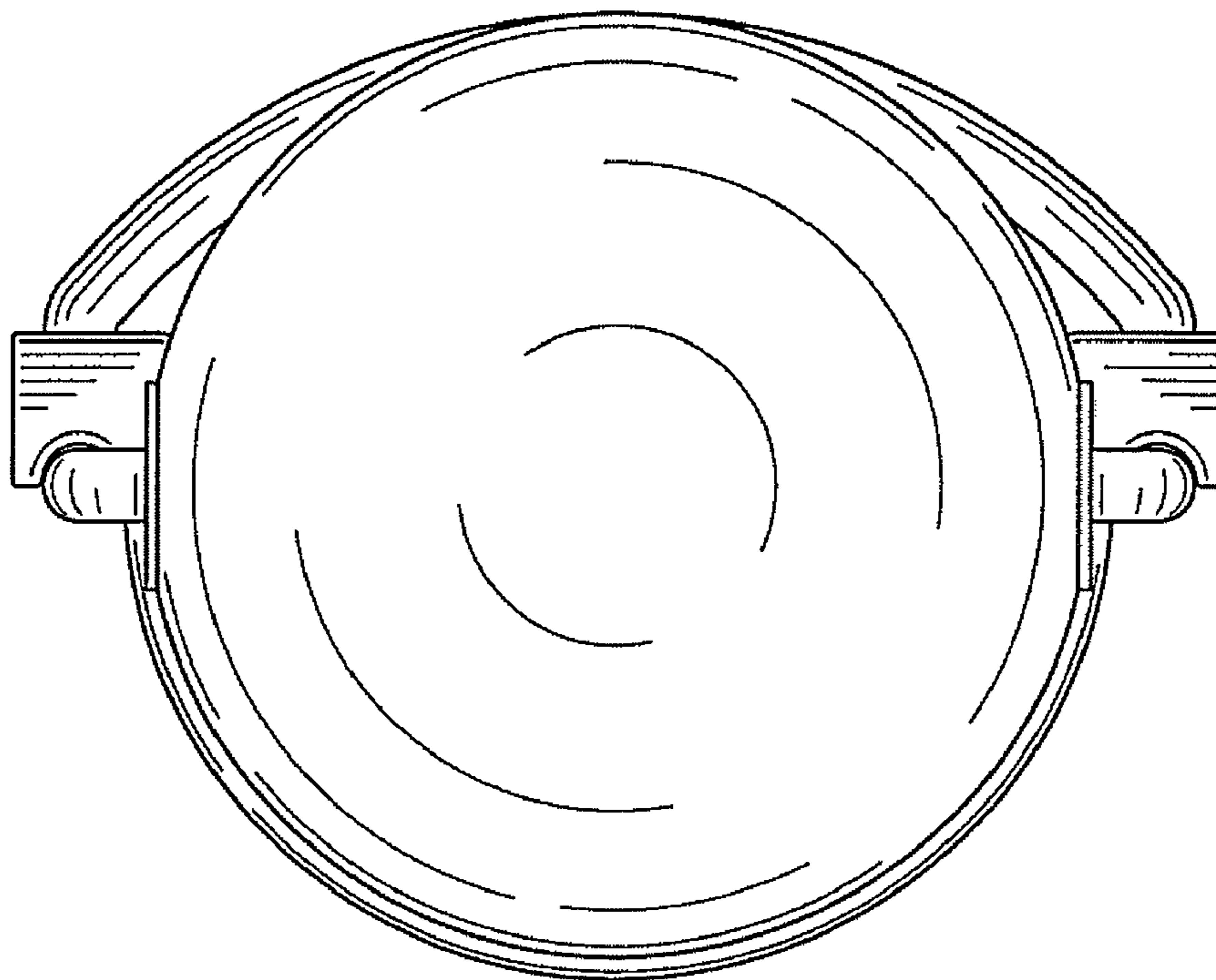
The ornamental design for a bottle stopper, as shown and described.

DESCRIPTION

FIG. 1 is a top view of a bottle stopper according to my new design;
FIG. 2 is a left side view;
FIG. 3 is a rear view thereof;
FIG. 4 is a right side view thereof;
FIG. 5 is a front view thereof;
FIG. 6 is a bottom view thereof;
FIG. 7 is a rear perspective view thereof;
FIG. 8 is a front perspective view thereof;
FIG. 9 is a rear view thereof attached to a bottle;
FIG. 10 is a right side view thereof attached to a bottle;
FIG. 11 is a rear perspective view attached to a bottle; and,
FIG. 12 is a right side perspective view thereof attached to a bottle.

The broken lines in the figures showing a bottle are for illustrative purposes only, and form no part of the claimed design.

1 Claim, 6 Drawing Sheets



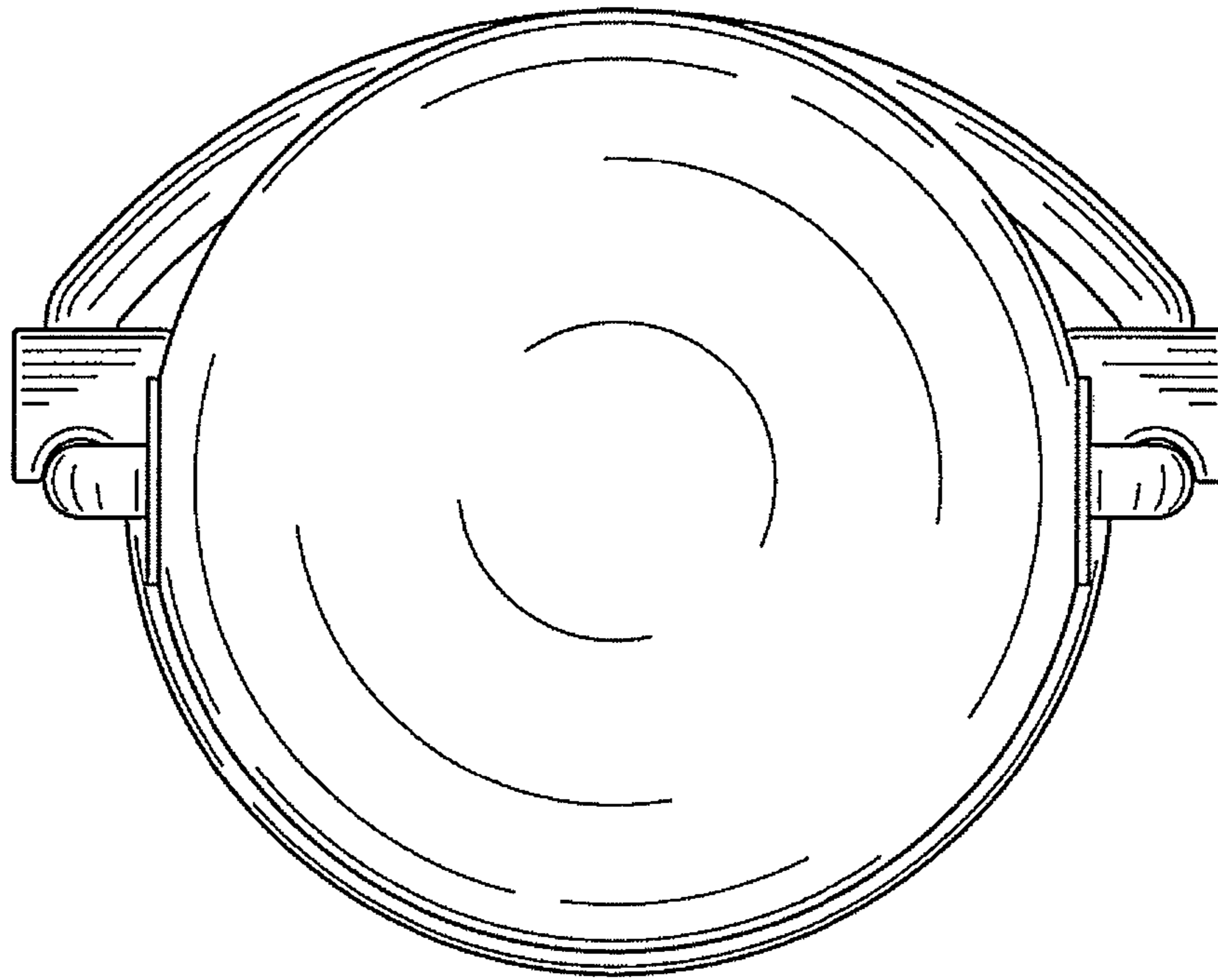


FIG. 1

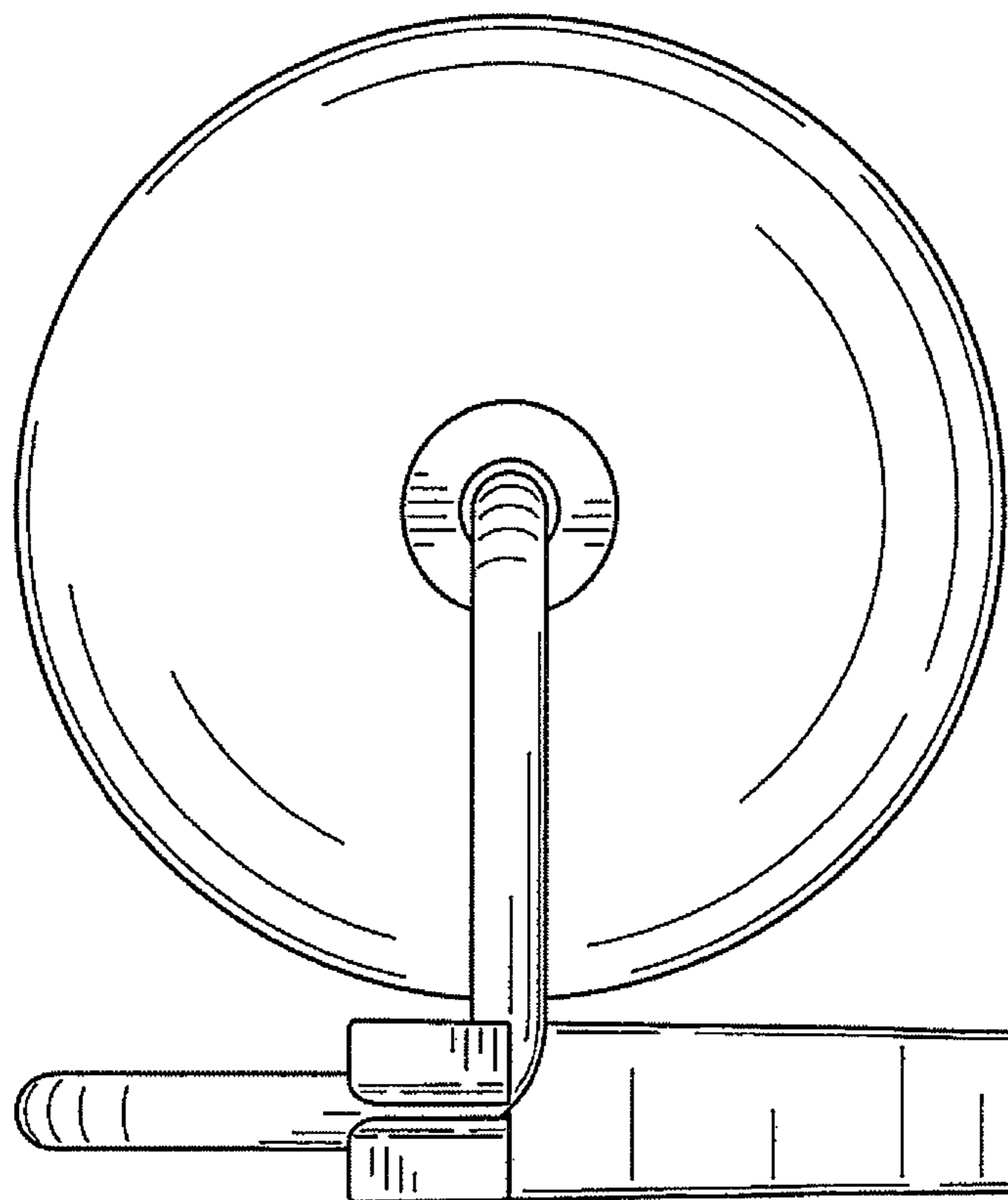


FIG. 2

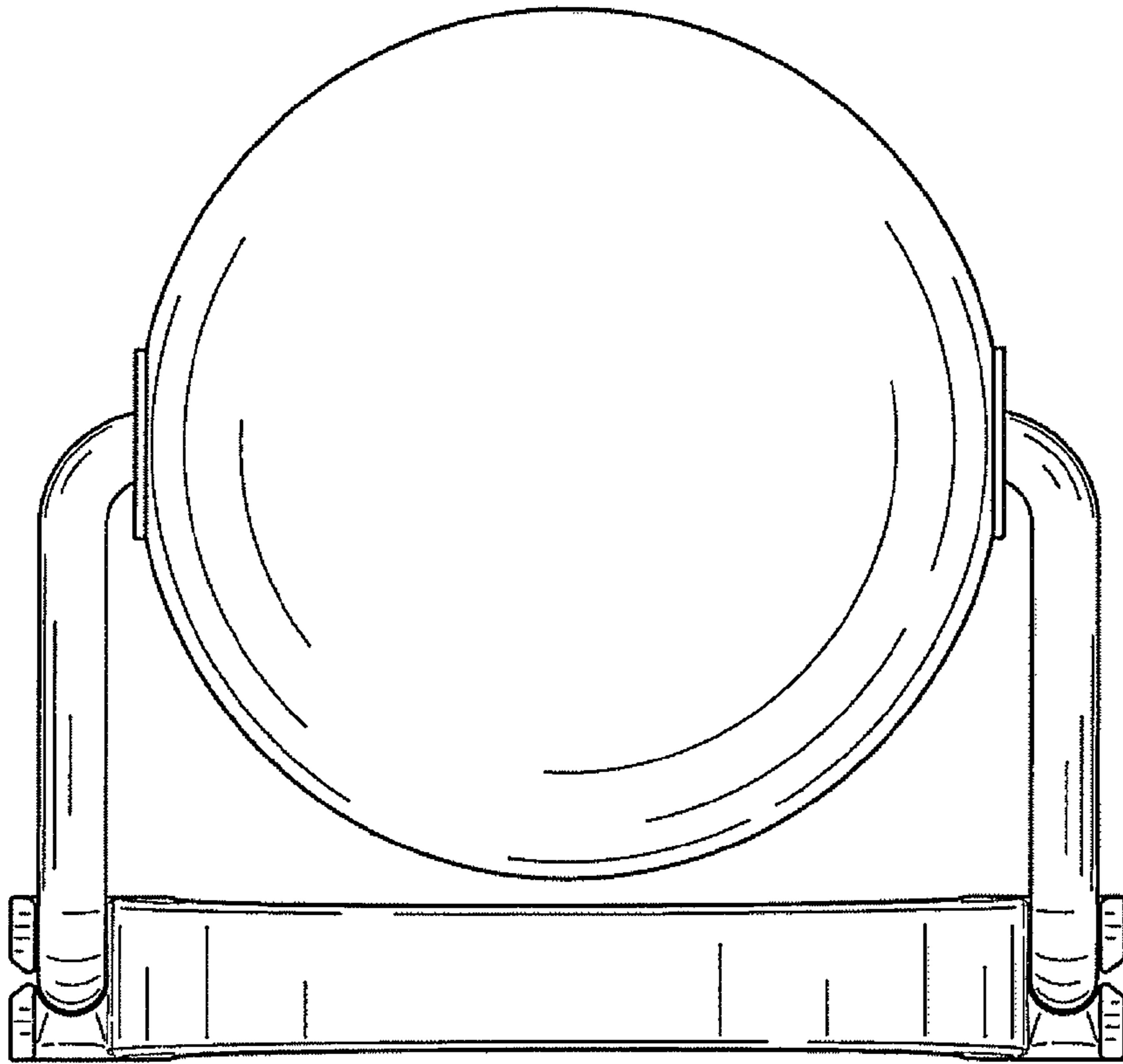


FIG. 3

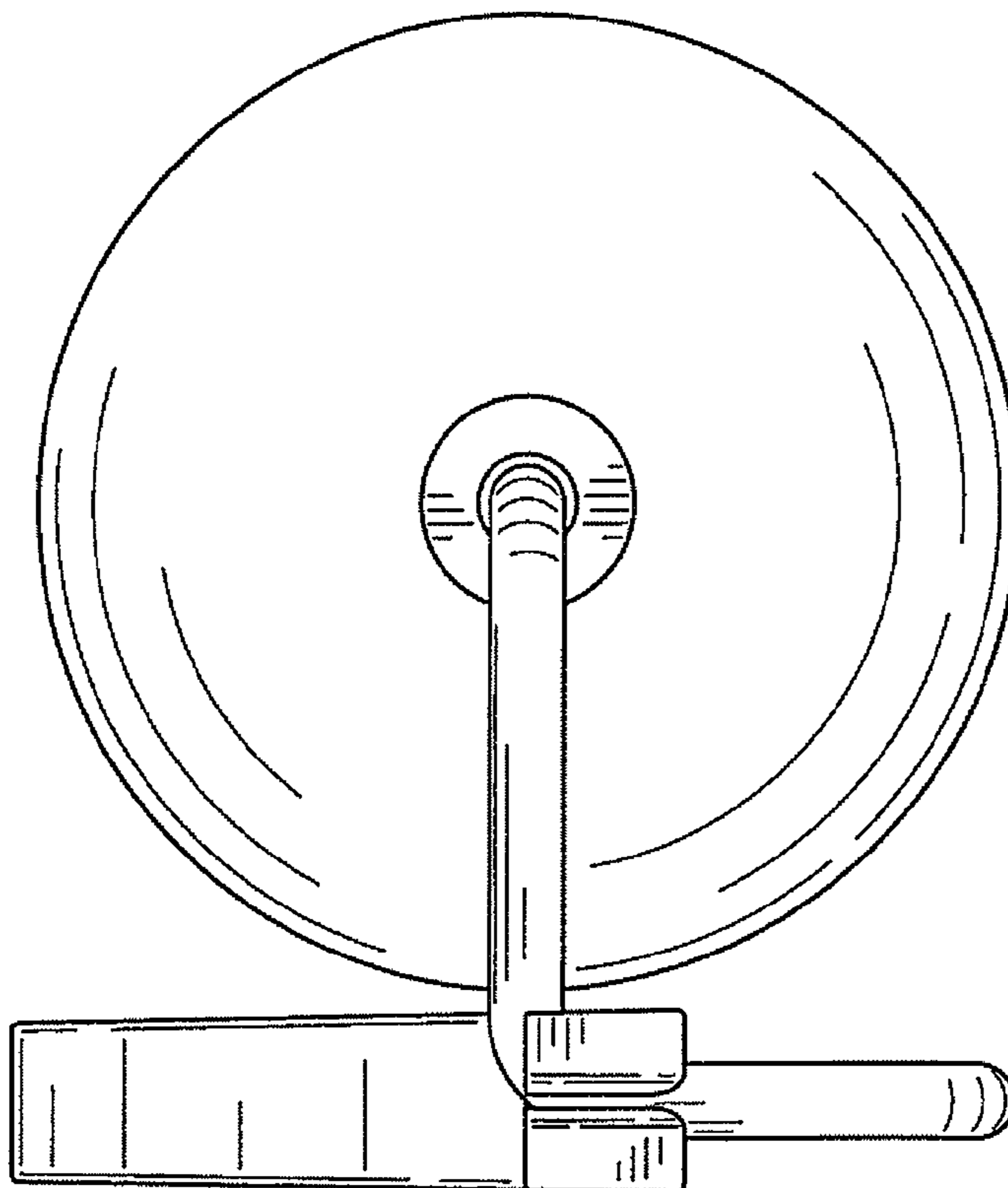


FIG. 4

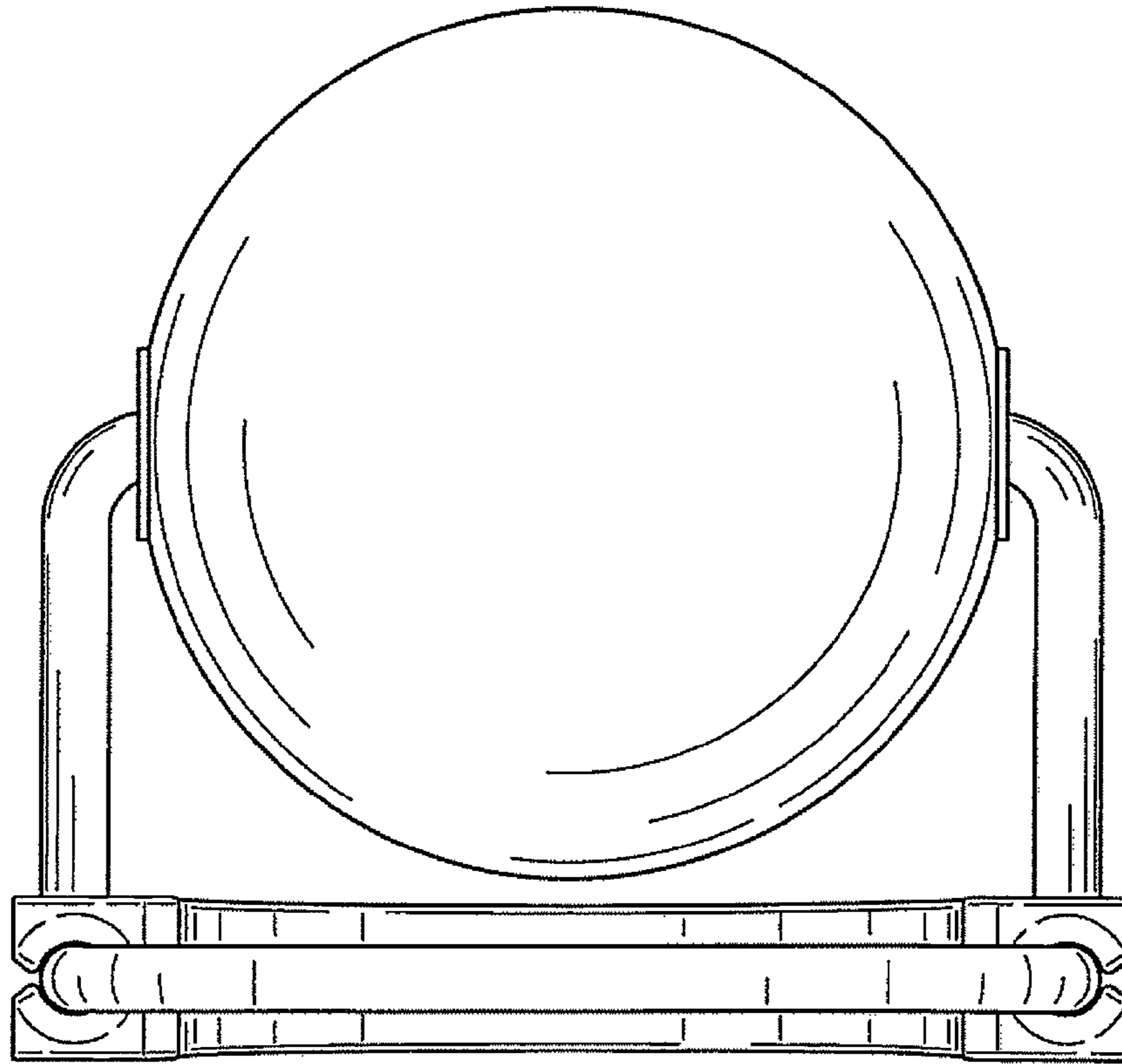


FIG. 5

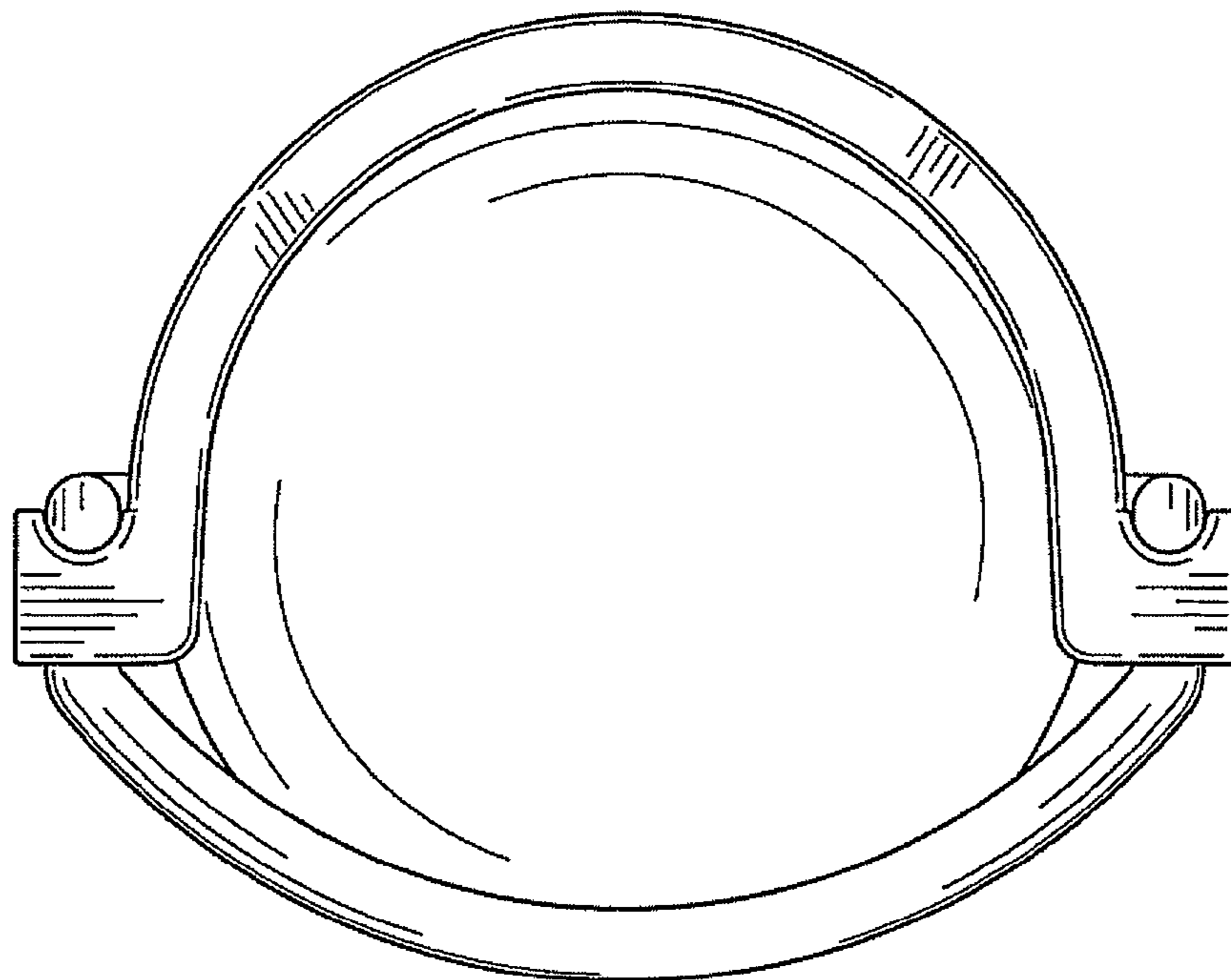


FIG. 6

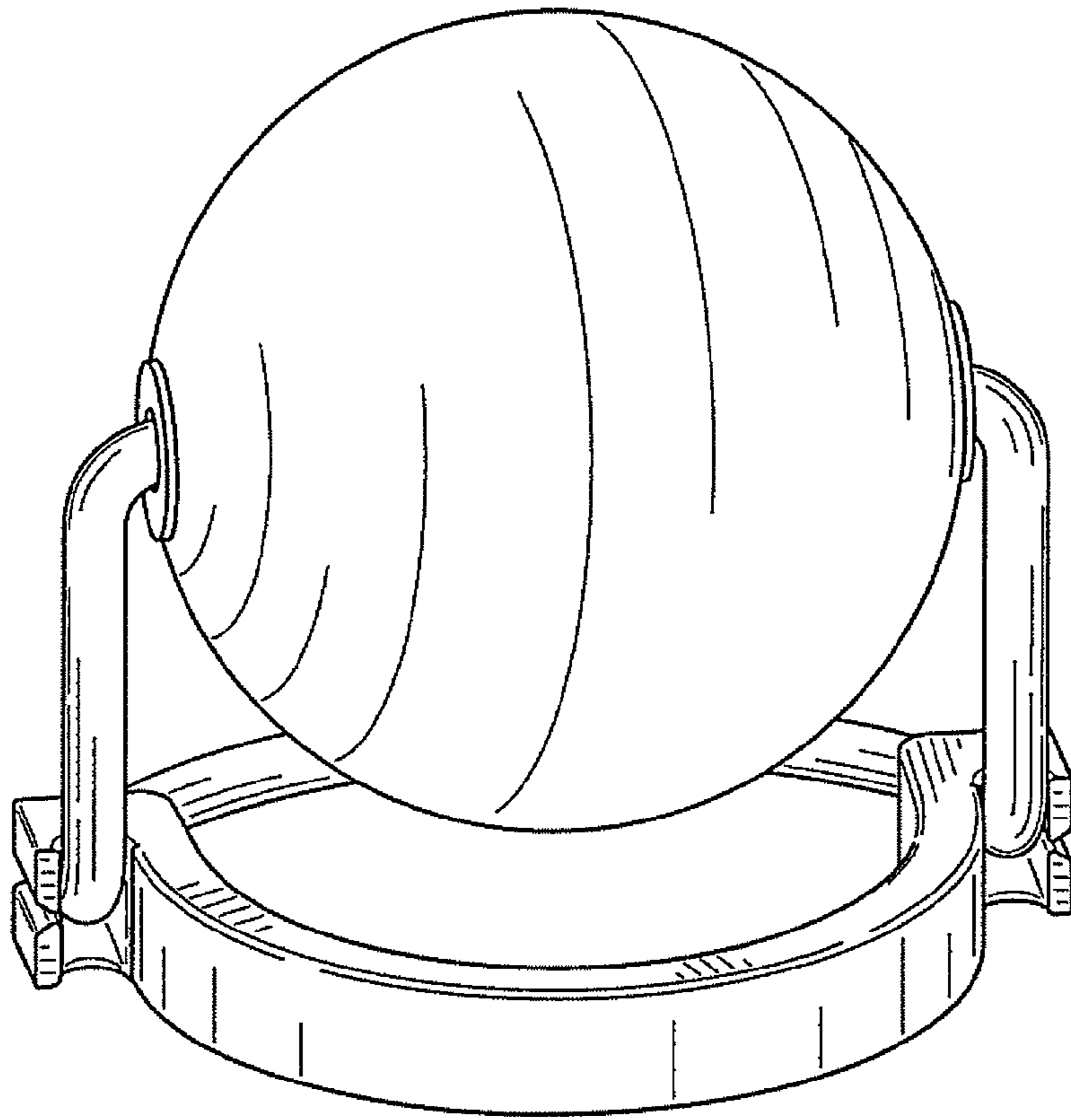


FIG. 7

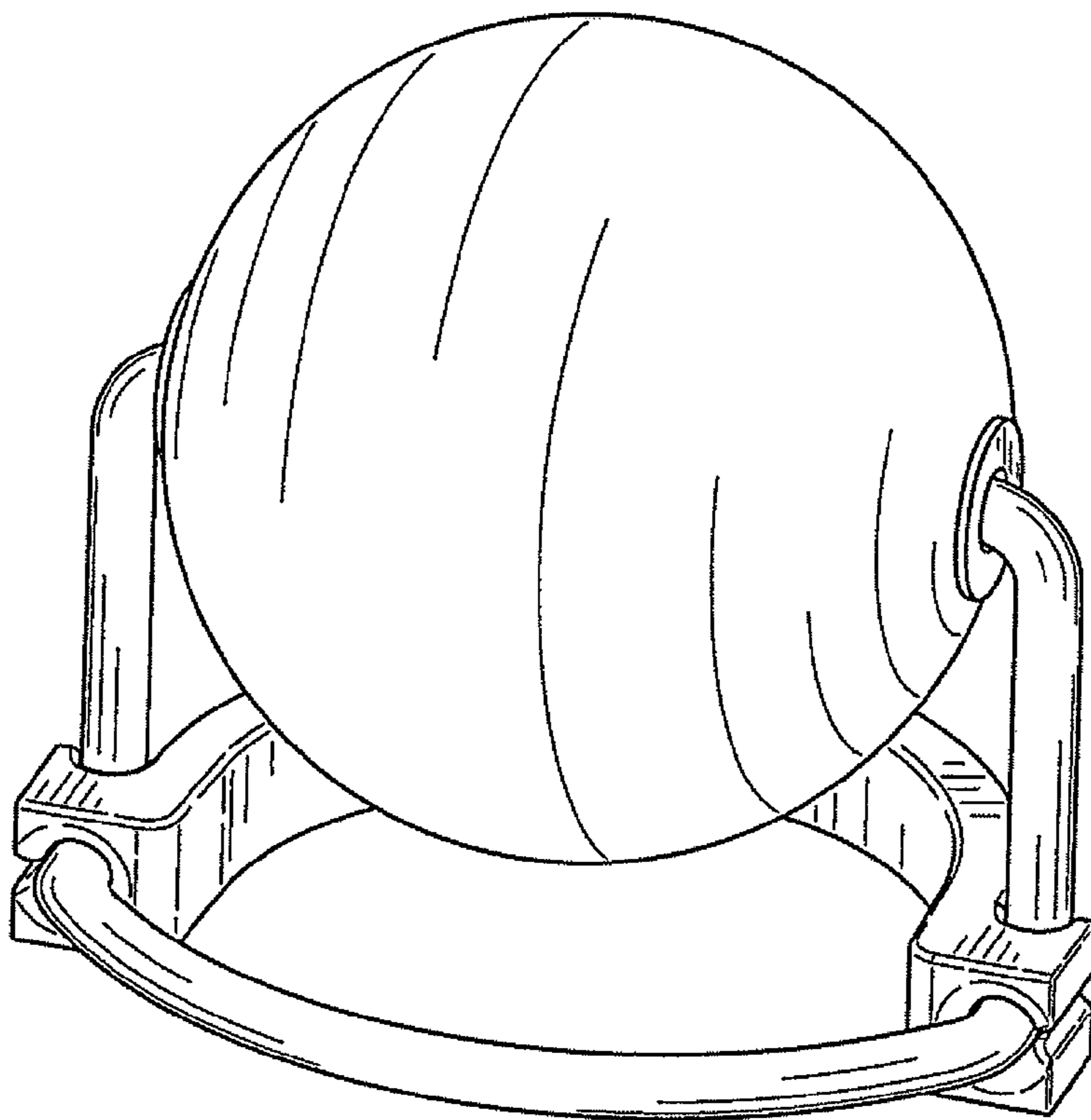


FIG. 8

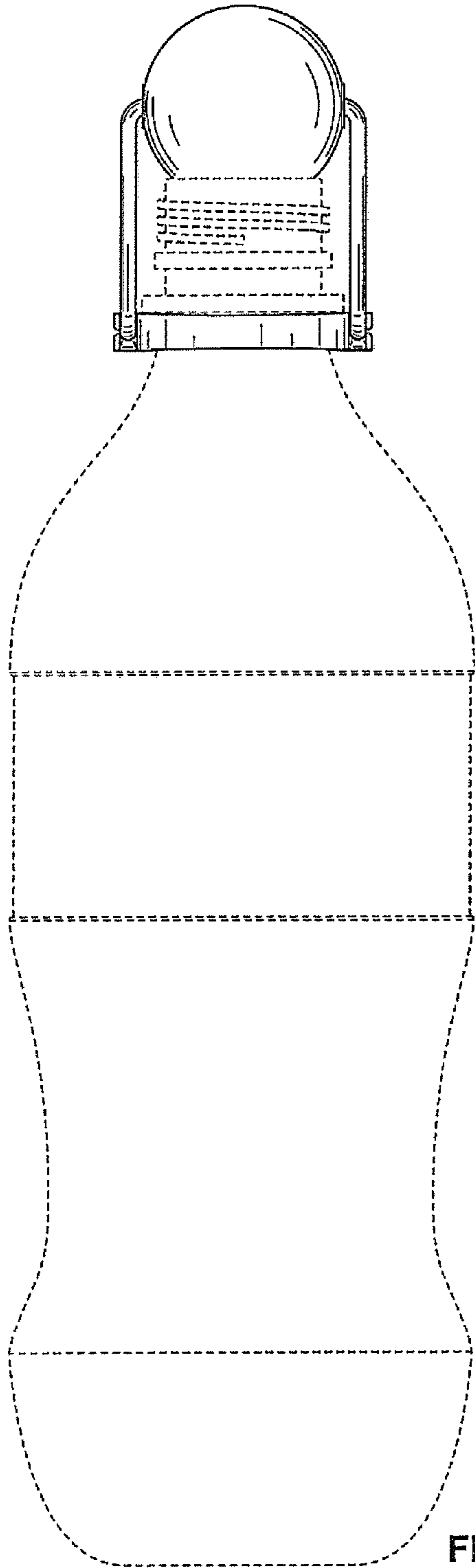


FIG. 9

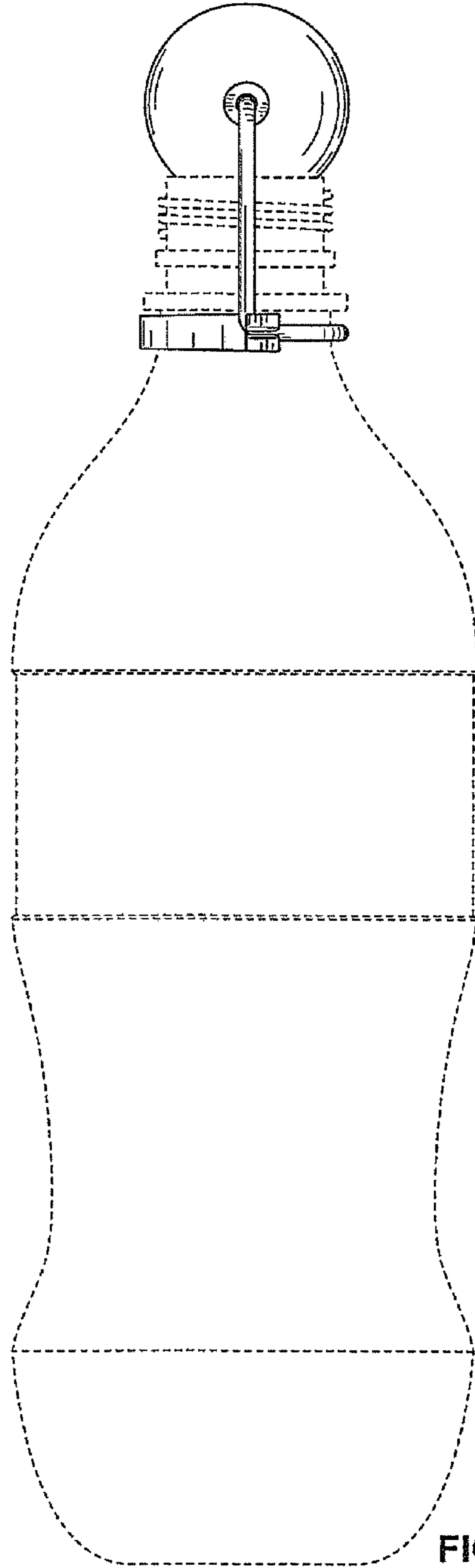


FIG. 10

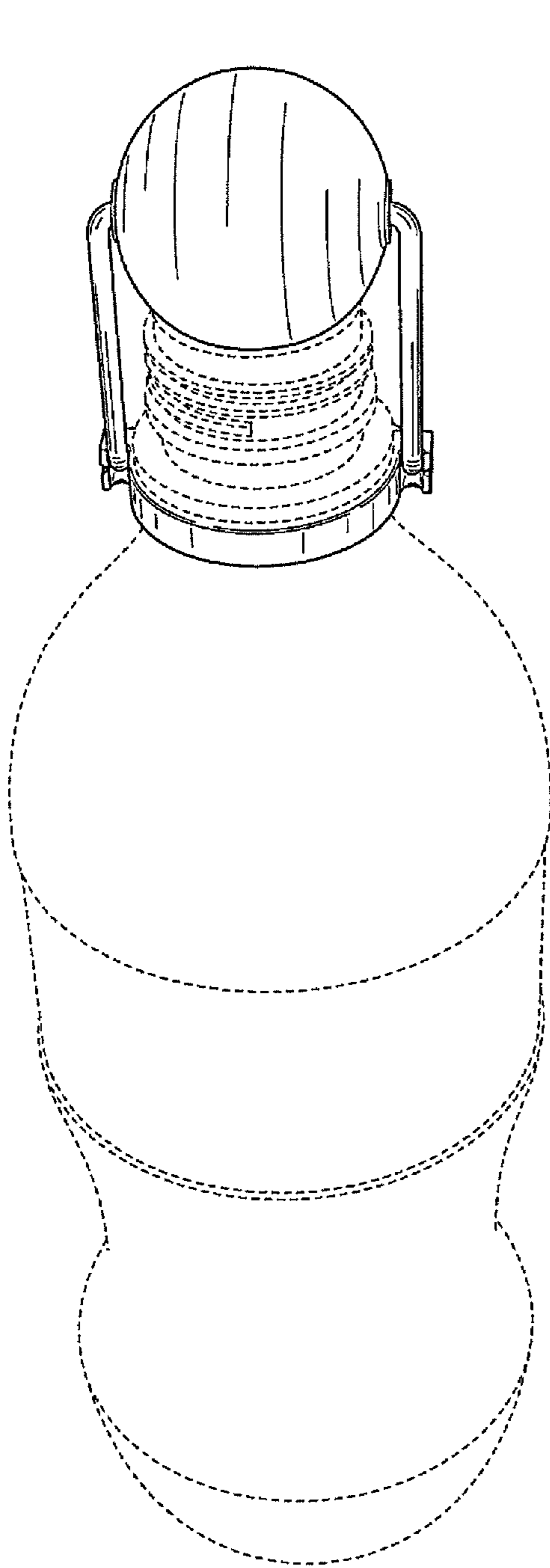


FIG. 11

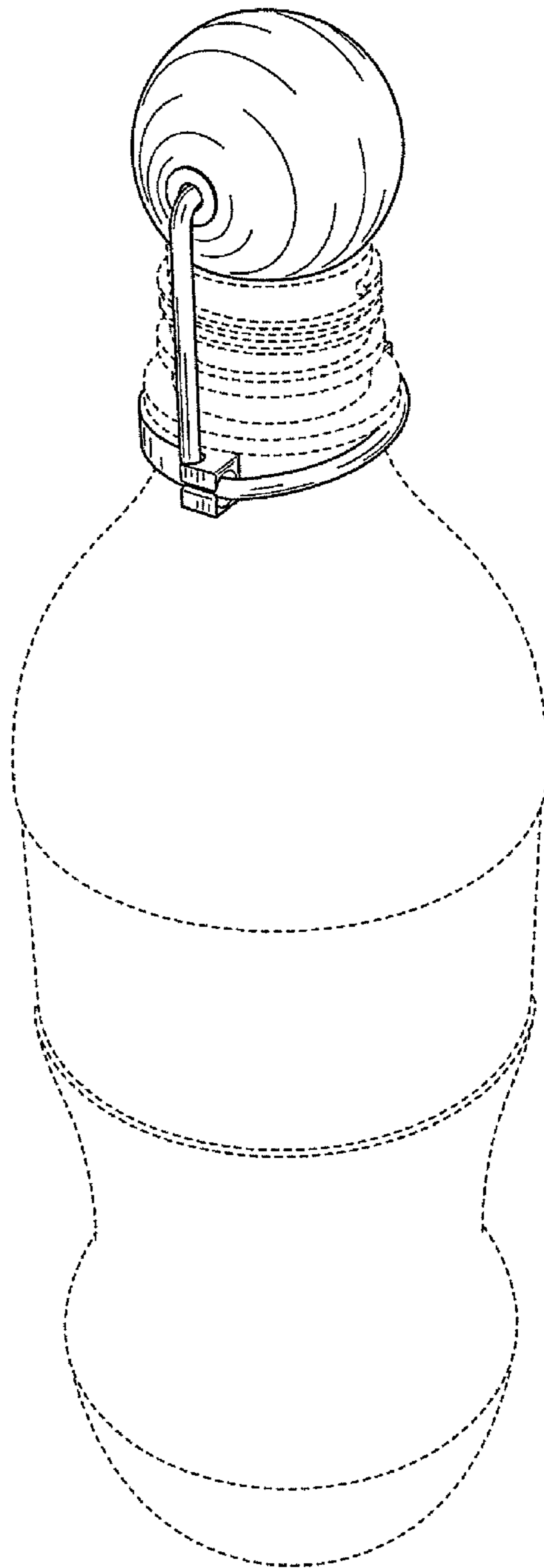


FIG. 12