



US00D682689S

(12) **United States Design Patent**
Kalberer et al.

(10) **Patent No.:** **US D682,689 S**

(45) **Date of Patent:** **** May 21, 2013**

(54) **CLOSURE**

(75) Inventors: **Roderick W Kalberer**, Waynesville, NC (US); **Celso S. Martinez**, Collierville, TN (US); **Jeffrey M Kalman**, Cleveland Heights, OH (US); **Todd Midkiff**, Noblesville, IN (US); **Jason S Andrews**, Indianapolis, IN (US); **Andrew B Mendenhall**, Mooresville, IN (US)

(73) Assignee: **Evergreen Packaging, Inc.**, Memphis, TN (US)

(**) Term: **14 Years**

(21) Appl. No.: **29/422,146**

(22) Filed: **May 17, 2012**

(51) **LOC (9) Cl.** **09-07**

(52) **U.S. Cl.**
USPC **D9/438; D9/439; D9/416; D9/423**

(58) **Field of Classification Search** D9/453, D9/452, 451, 443, 439, 432, 420; D7/628; D24/115; D12/197; D11/157; 229/125.04, 229/125.09, 117.3; 222/498, 481, 540; 220/786, 220/269-270, 254.1, 228; 215/355-364, 215/247, 235; 206/423

See application file for complete search history.

(56) **References Cited**

U.S. PATENT DOCUMENTS

124,466	A *	3/1872	Widgery	220/270
1,295,032	A *	2/1919	Hothersall	220/270
2,085,200	A *	6/1937	Ljungstrom	220/270
RE21,310	E *	12/1939	Ljungstrom	222/540
2,313,783	A *	3/1943	Taylor	229/125.09
4,760,938	A	8/1988	Wenger		

4,770,325	A	9/1988	Gordon et al.	
5,484,101	A	1/1996	Hedberg	
6,131,804	A	10/2000	Julian	
6,227,440	B1	5/2001	Hart	
7,137,524	B2 *	11/2006	Nomula 220/269
D534,421	S *	1/2007	Tanner D9/420

* cited by examiner

Primary Examiner — Susan Bennett Hattan

(74) *Attorney, Agent, or Firm* — J. Bennett Mullinax, LLC

(57) **CLAIM**

The ornamental design for a closure, as shown and described.

DESCRIPTION

FIG. 1 is a top perspective view of the closure according to the present design;

FIG. 2 is a bottom perspective view of the closure as shown in FIG. 1;

FIG. 3 is a top view of the closure as shown in FIG. 1;

FIG. 4 is a bottom view of the closure as shown in FIG. 1;

FIG. 5 is a right side view of the closure as shown in FIG. 1;

FIG. 6 is a left side view of the closure as shown in FIG. 1;

FIG. 7 is a front view of the closure as shown in FIG. 1;

FIG. 8 is a rear view of the closure as shown in FIG. 1;

FIG. 9 is a rear view of the closure in an alternate closed position;

FIG. 10 is a perspective view of the closure as shown in FIG. 9;

FIG. 11 is a top view of the closure as shown in FIG. 9;

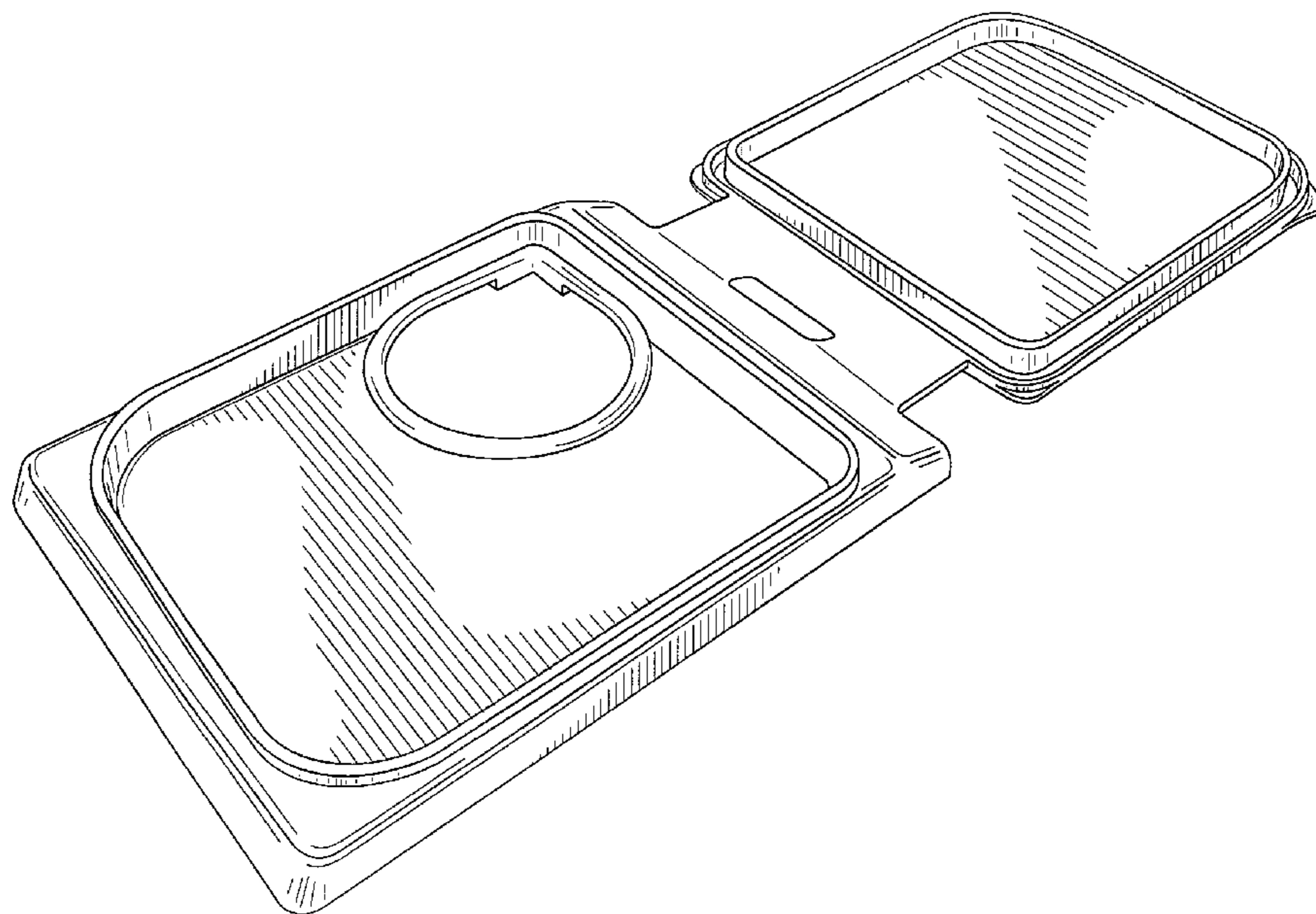
FIG. 12 is a right side view of the closure as shown in FIG. 9;

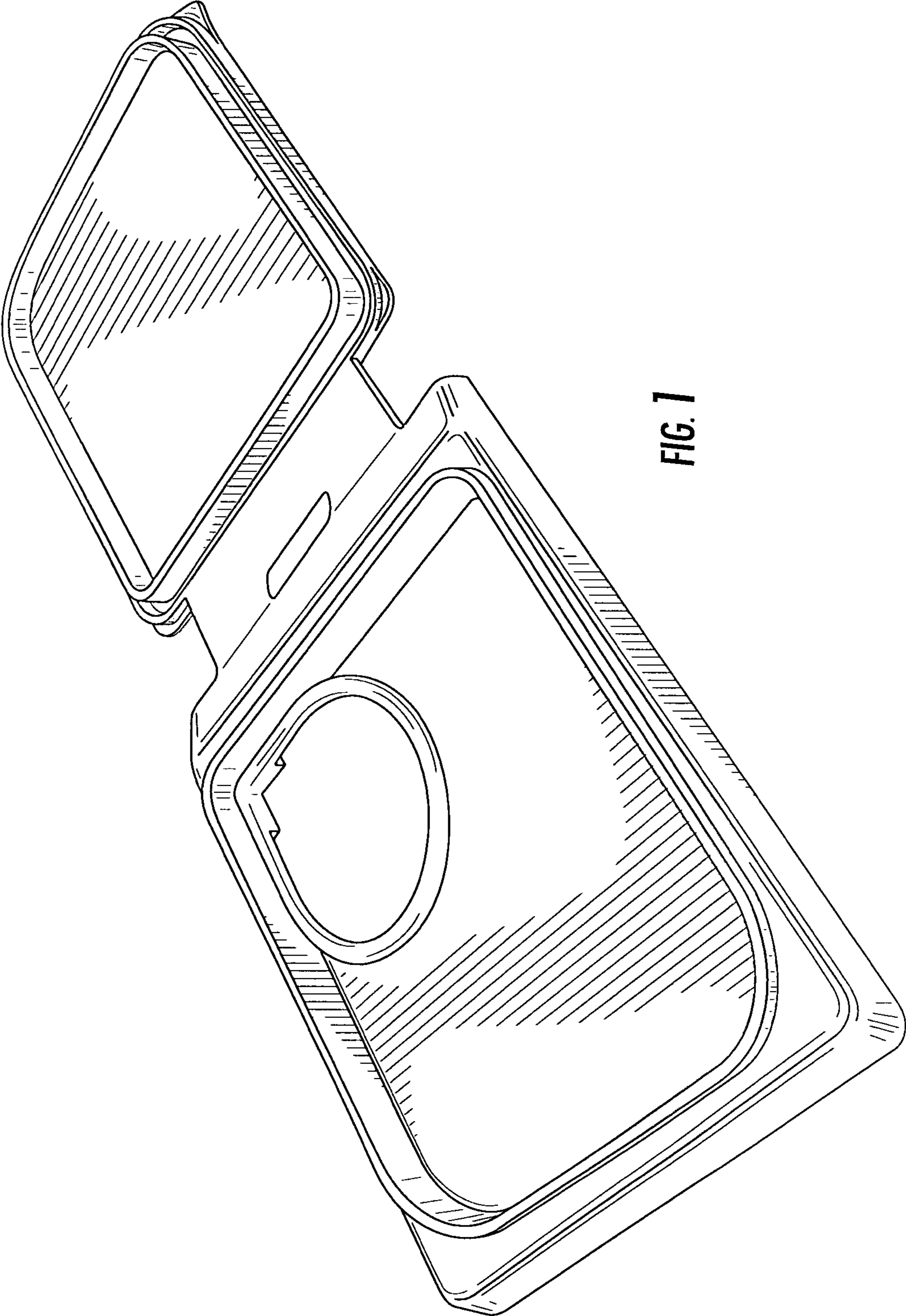
FIG. 13 is a left side view of the closure as shown in FIG. 9;

FIG. 14 is a front view of the closure as shown in FIG. 9; and,

FIG. 15 is a rear view of the closure as shown in FIG. 9.

1 Claim, 15 Drawing Sheets





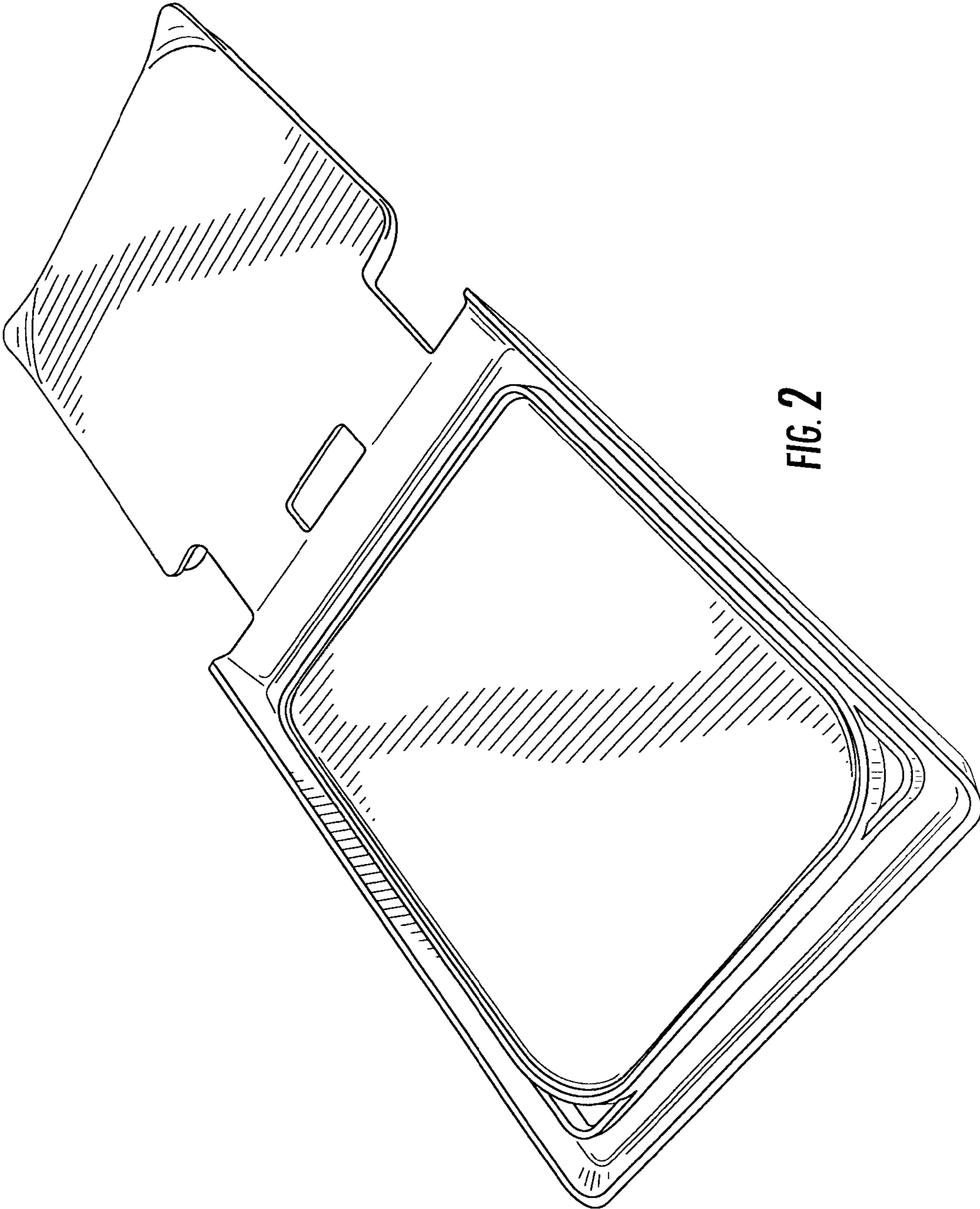


FIG. 2

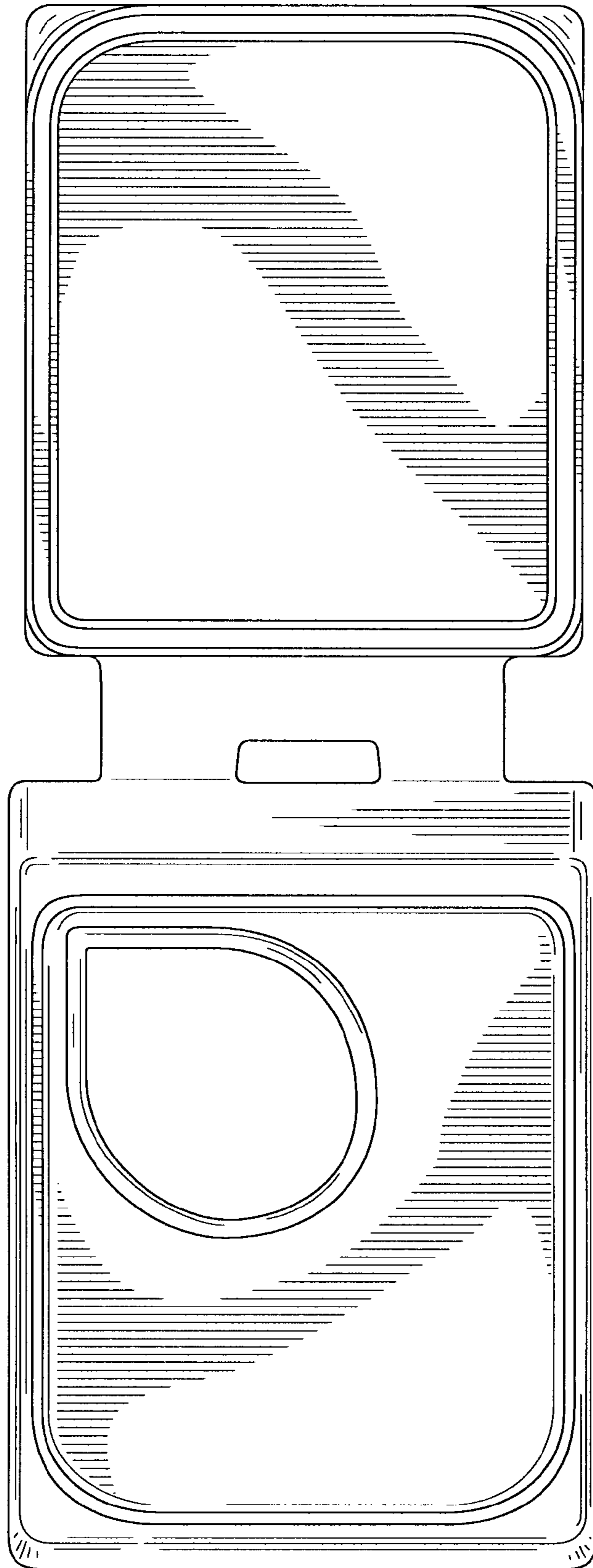


FIG. 3

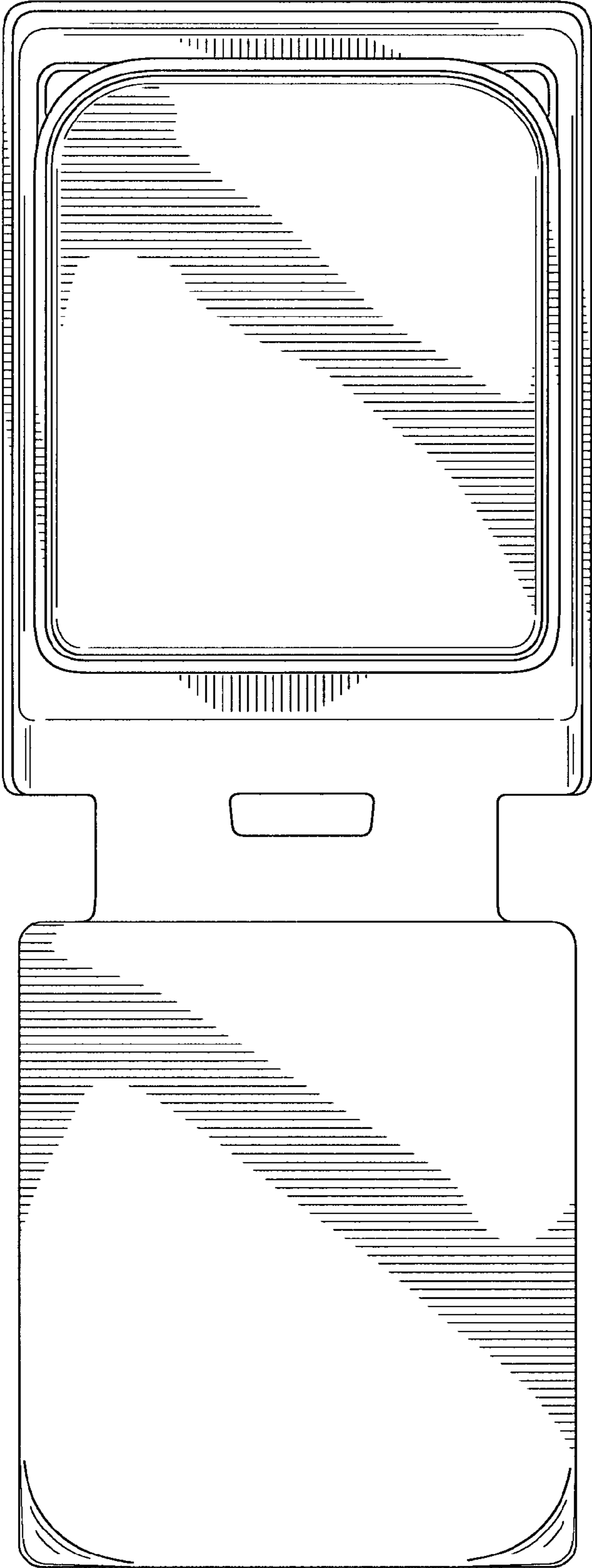


FIG. 4

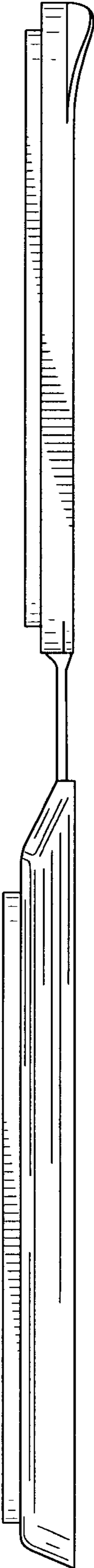


FIG. 5

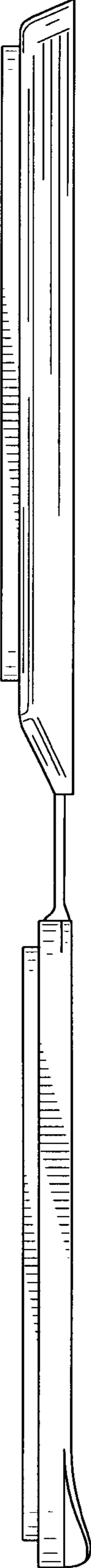


FIG. 6

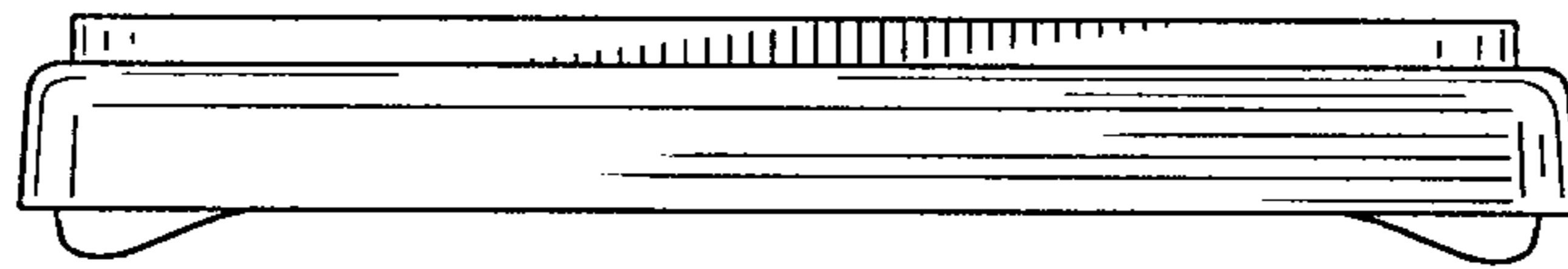


FIG. 7

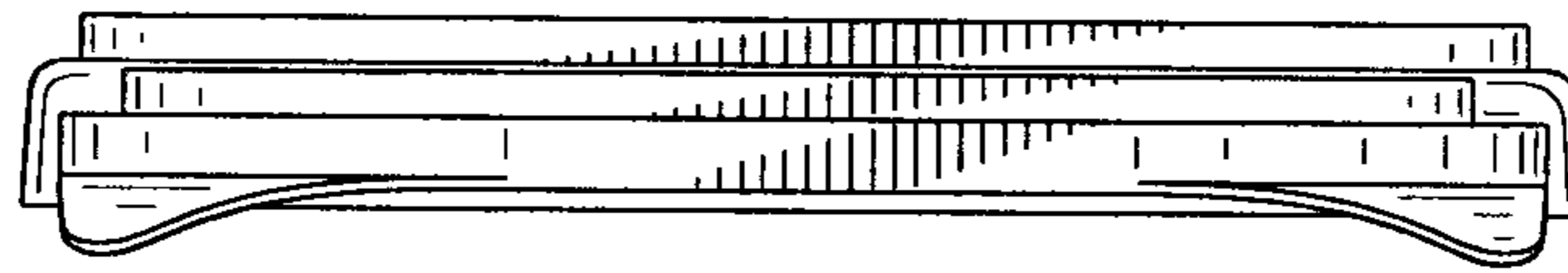


FIG. 8

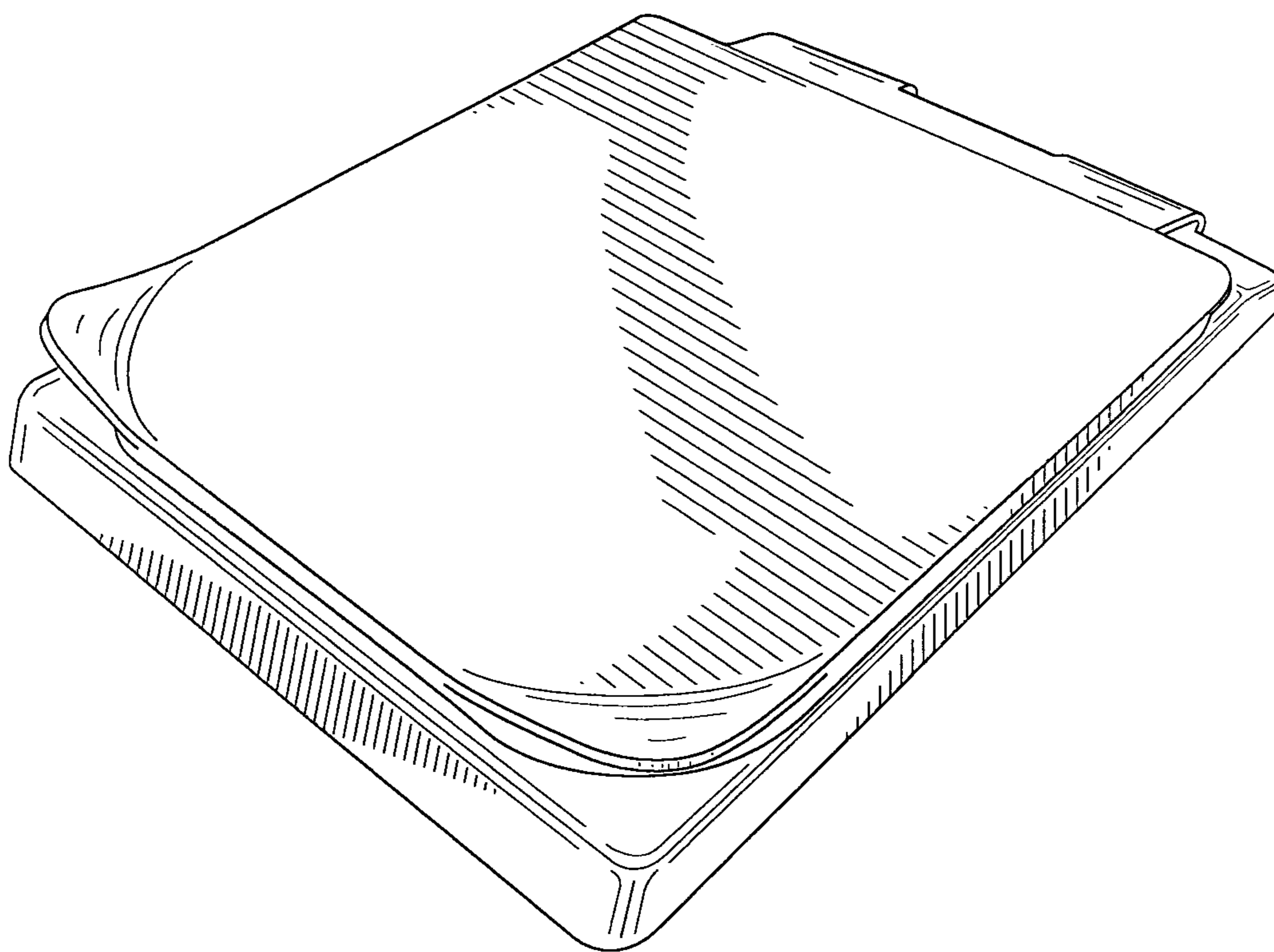


FIG. 9

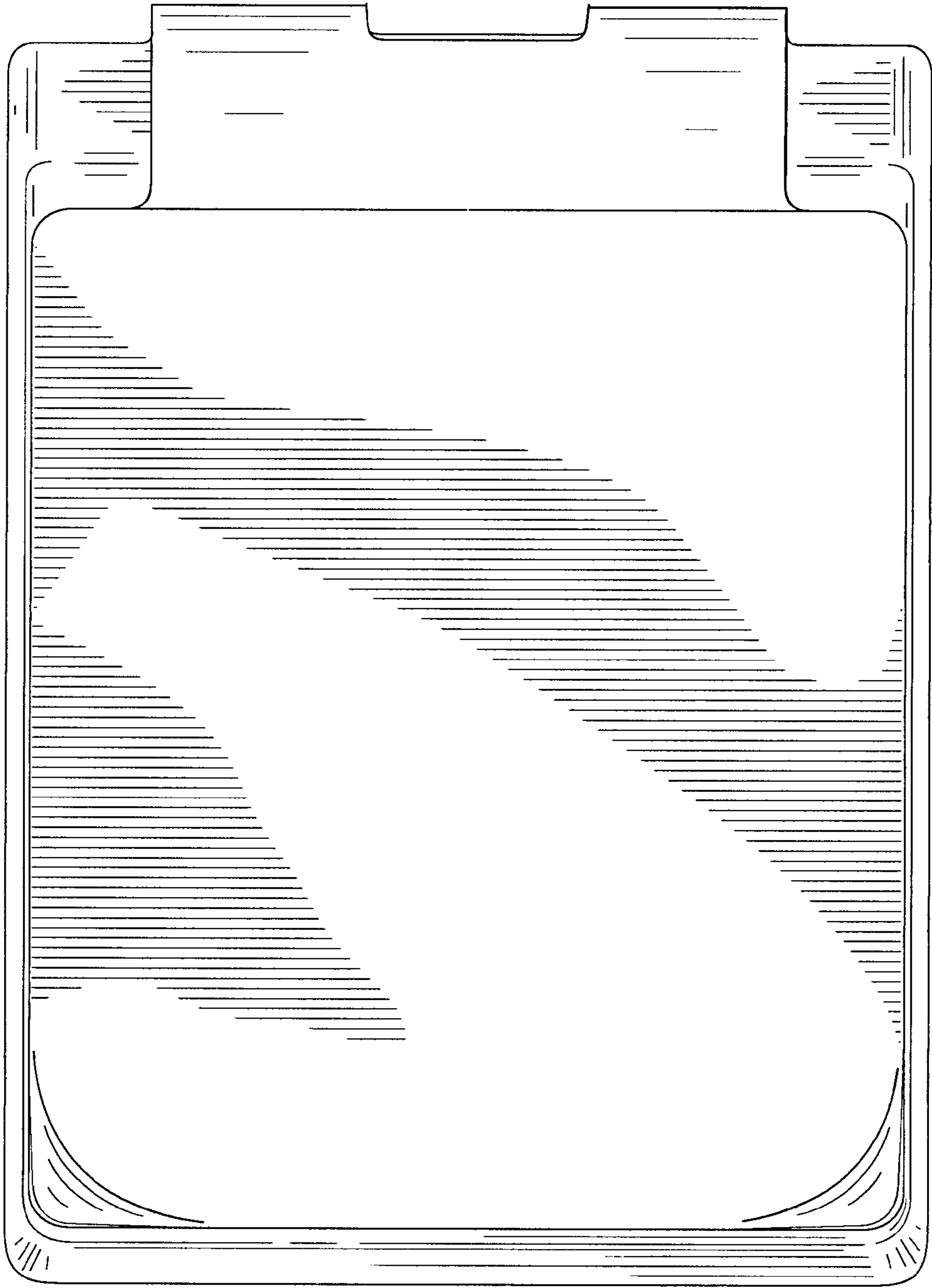


FIG. 10

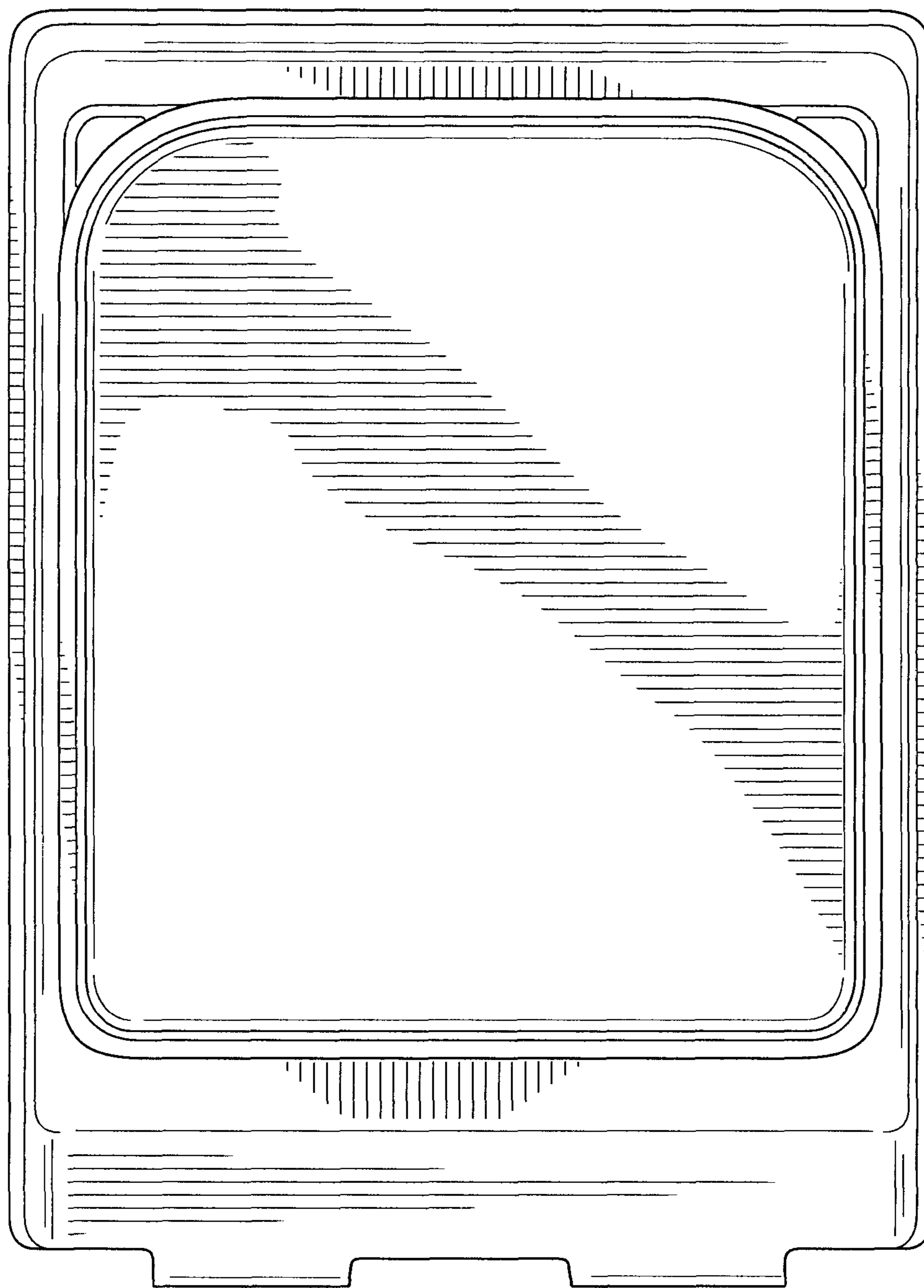


FIG. 11

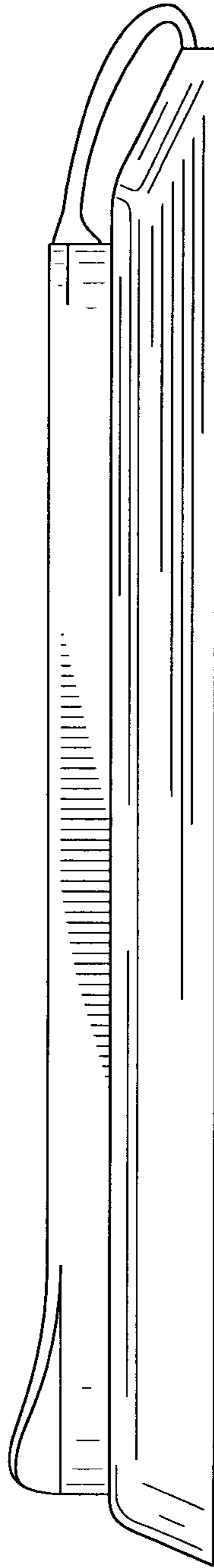


FIG. 12

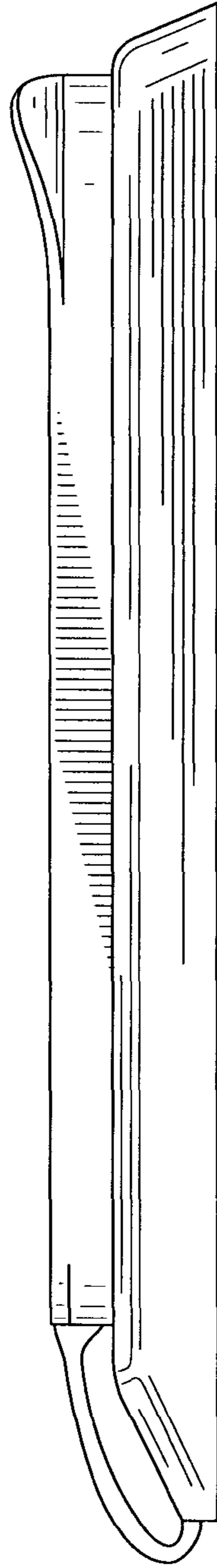


FIG. 13

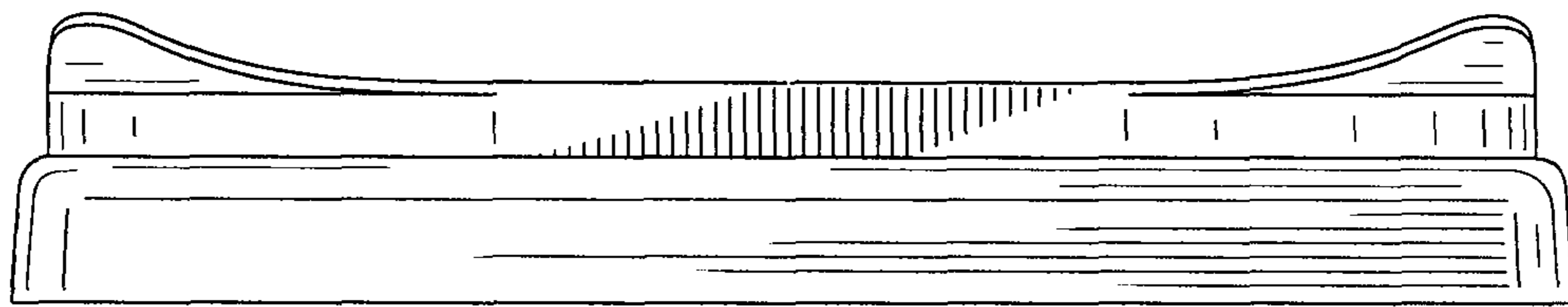


FIG. 14

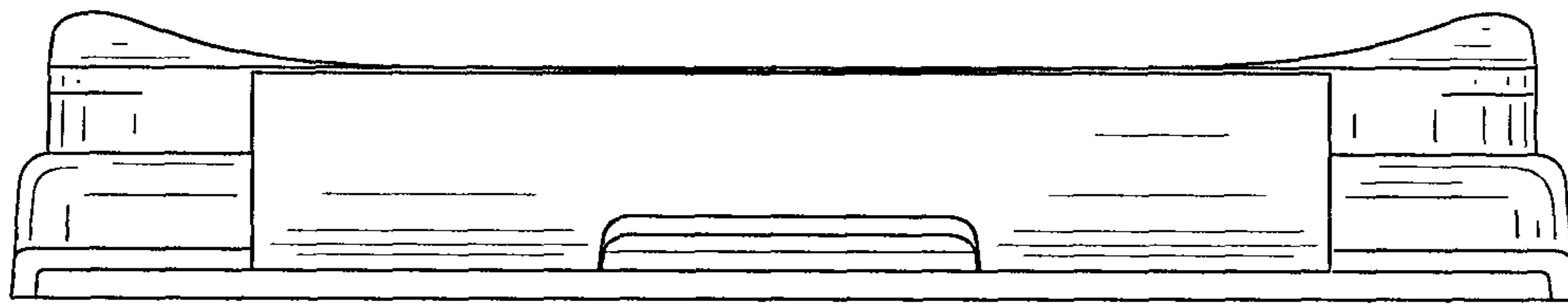


FIG. 15