



US00D682688S

(12) **United States Design Patent**
Murray

(10) **Patent No.:** **US D682,688 S**

(45) **Date of Patent:** **** *May 21, 2013**

(54) **CAP**

(75) Inventor: **R. Charles Murray**, Sarasota, FL (US)

(73) Assignee: **Pouch Pac Innovations, LLC**, Sarasota, FL (US)

(*) Notice: This patent is subject to a terminal disclaimer.

(**) Term: **14 Years**

(21) Appl. No.: **29/426,330**

(22) Filed: **Jul. 3, 2012**

(51) **LOC (9) Cl.** **09-07**

(52) **U.S. Cl.**
USPC **D9/435; D32/32**

(58) **Field of Classification Search** D29/102-107,
D29/122, 108-111; 2/175.4, 200.1, 8.2,
2/6.6, 6.7, 410, 411, 417, 421, 424, 425,
2/468, 9, 418; 359/642, 815; 362/105, 106;
D9/135, 439, 442, 444, 454, 705, 708, 709;
D7/396.2; 222/568; 220/288; 215/329,
215/238

See application file for complete search history.

(56) **References Cited**

U.S. PATENT DOCUMENTS

6,292,953 B1 * 9/2001 Beutz 2/422
D478,004 S * 8/2003 Cummings D9/435

D547,657 S * 7/2007 Tacchella D9/454
D563,785 S * 3/2008 Maki et al. D9/454
D577,585 S * 9/2008 Carnduff et al. D9/447
D617,187 S * 6/2010 Murray D9/435
7,771,991 B2 * 8/2010 Bossi et al. 435/304.1
D635,023 S * 3/2011 Stolle D9/449
D661,185 S * 6/2012 Battat D9/435
2009/0049806 A1 * 2/2009 Peacop et al. 53/556
2010/0115686 A1 * 5/2010 Halldin 2/422
2011/0047678 A1 * 3/2011 Barth et al. 2/411
2012/0180202 A1 * 7/2012 McNeal 2/422
2012/0192338 A1 * 8/2012 Munns 2/422

* cited by examiner

Primary Examiner — Ruth McInroy

(74) *Attorney, Agent, or Firm* — Gifford, Krass, Sprinkle, Anderson & Citkowski, P.C.

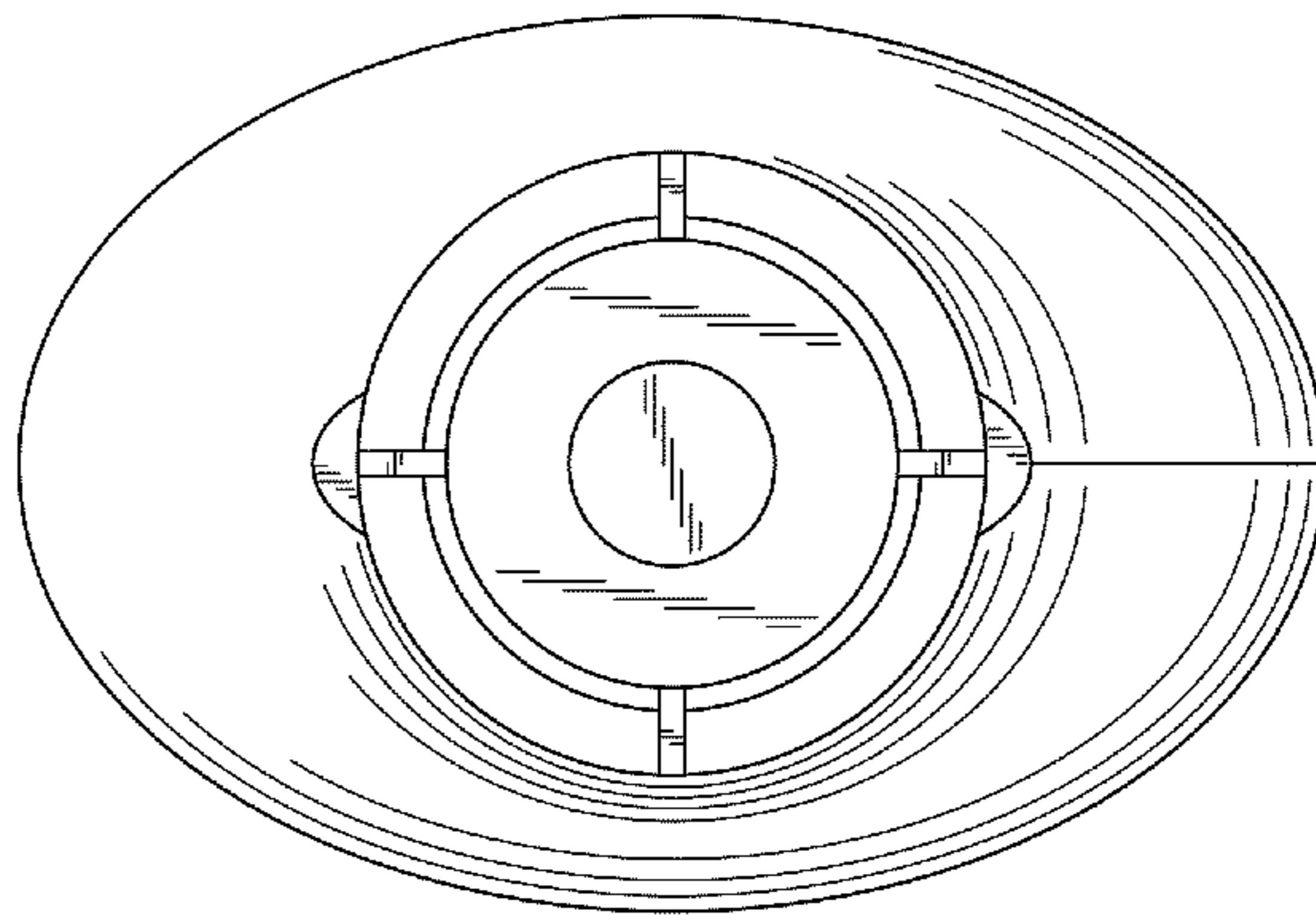
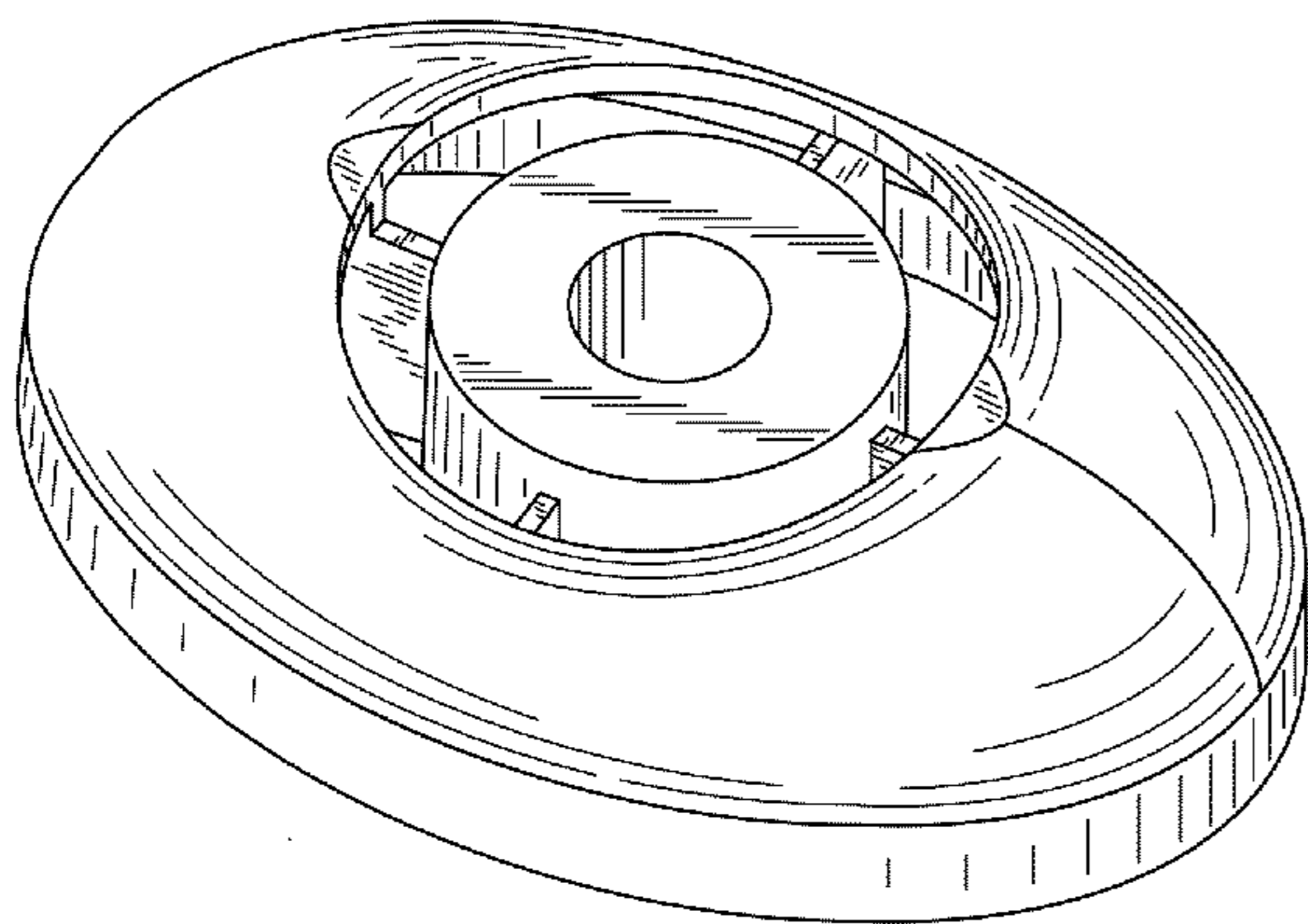
(57) **CLAIM**

The ornamental design for cap, as shown and described.

DESCRIPTION

FIG. 1 is a top perspective view of a cap;
FIG. 2 is a bottom perspective view of the cap of FIG. 1;
FIG. 3 is a plan top view of the cap of FIG. 1;
FIG. 4 is an elevation view of the side of the cap of FIG. 1;
FIG. 5 is an elevation view of the front of the cap of FIG. 1;
FIG. 6 is a plan bottom view of the cap of FIG. 1;
FIG. 7 is an elevation view of the opposite side of the cap of FIG. 1; and,
FIG. 8 is an elevation view of the back of the cap of FIG. 1.

1 Claim, 2 Drawing Sheets



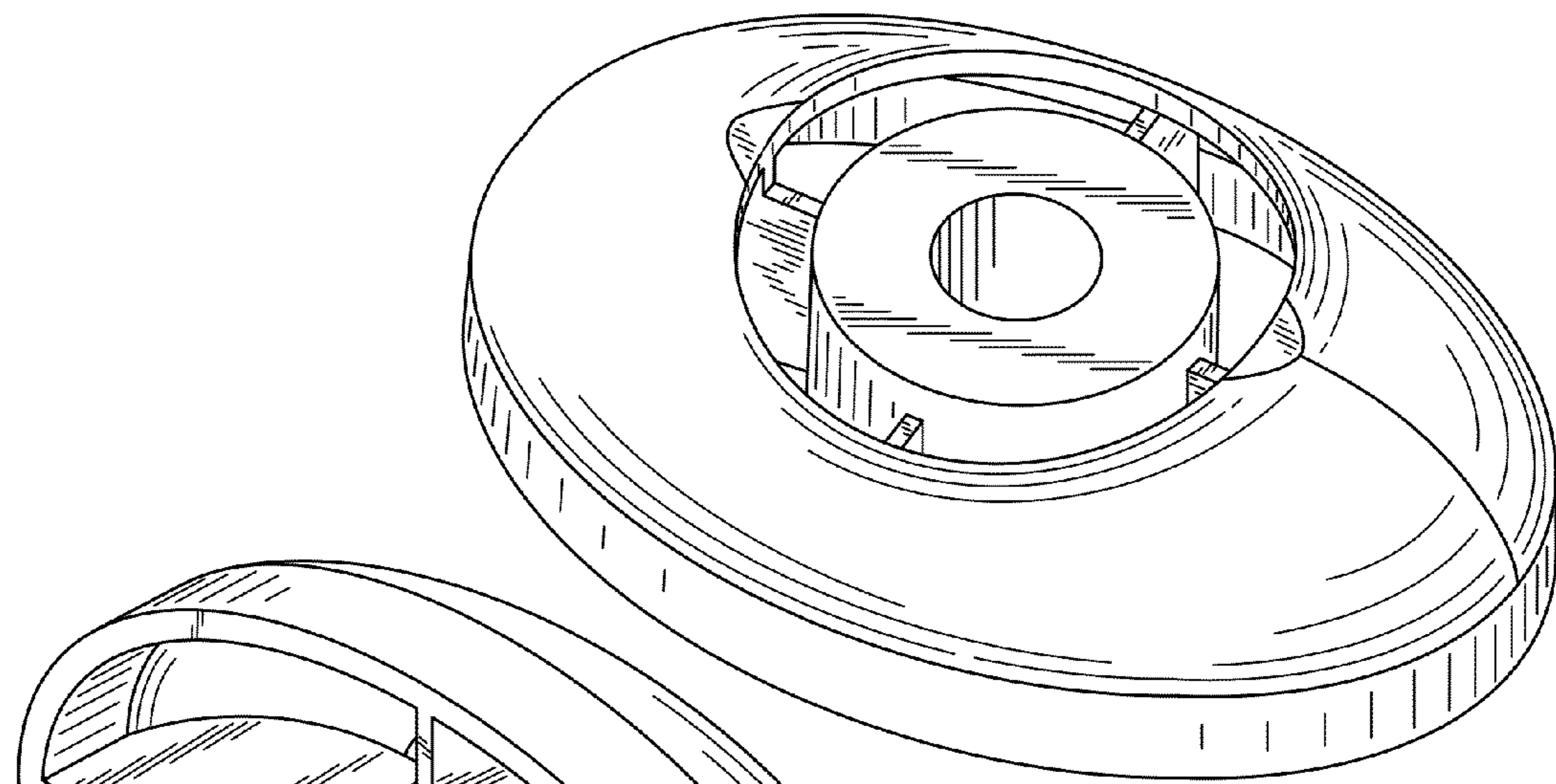


FIG. 1

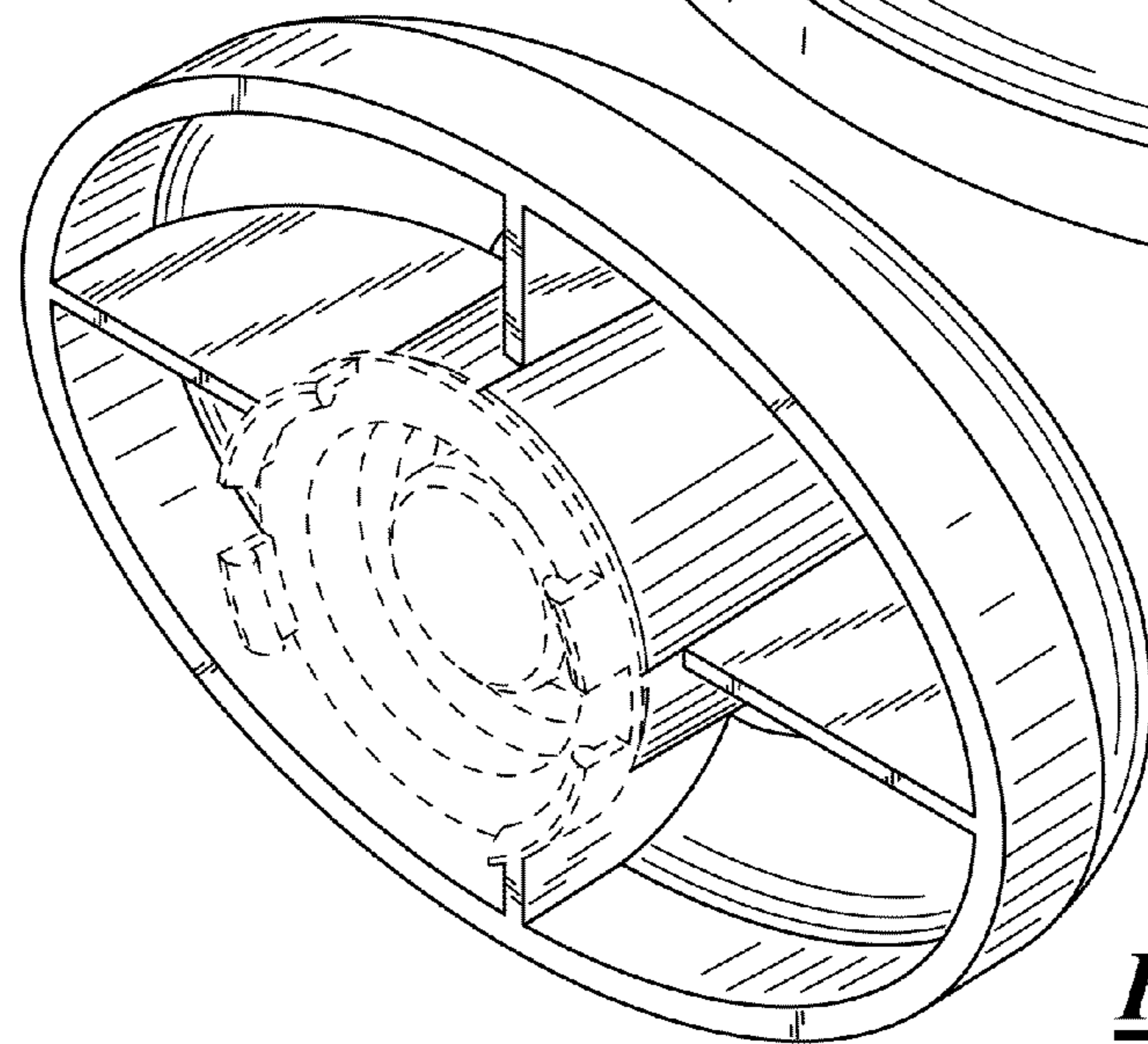


FIG. 2

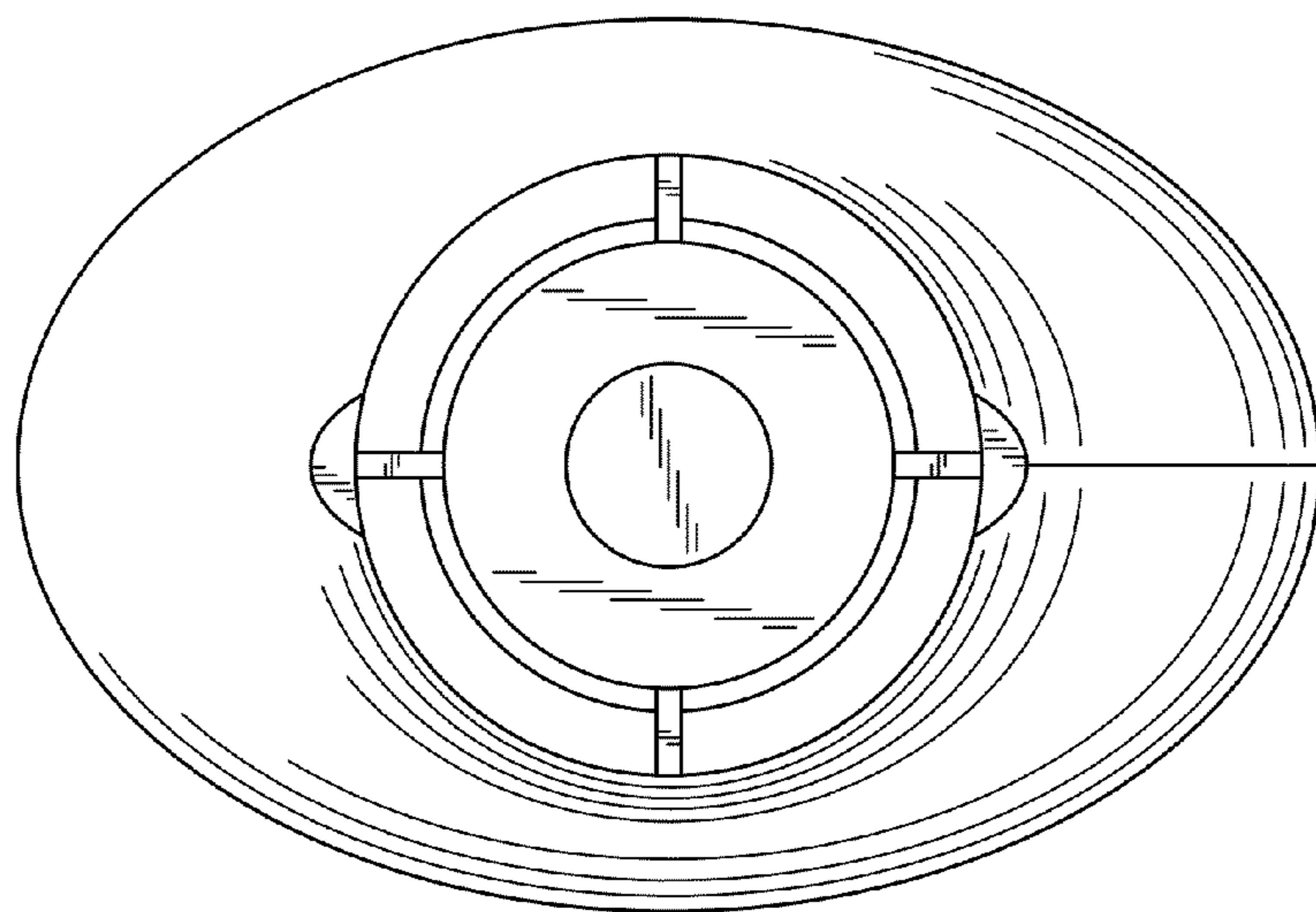


FIG. 3

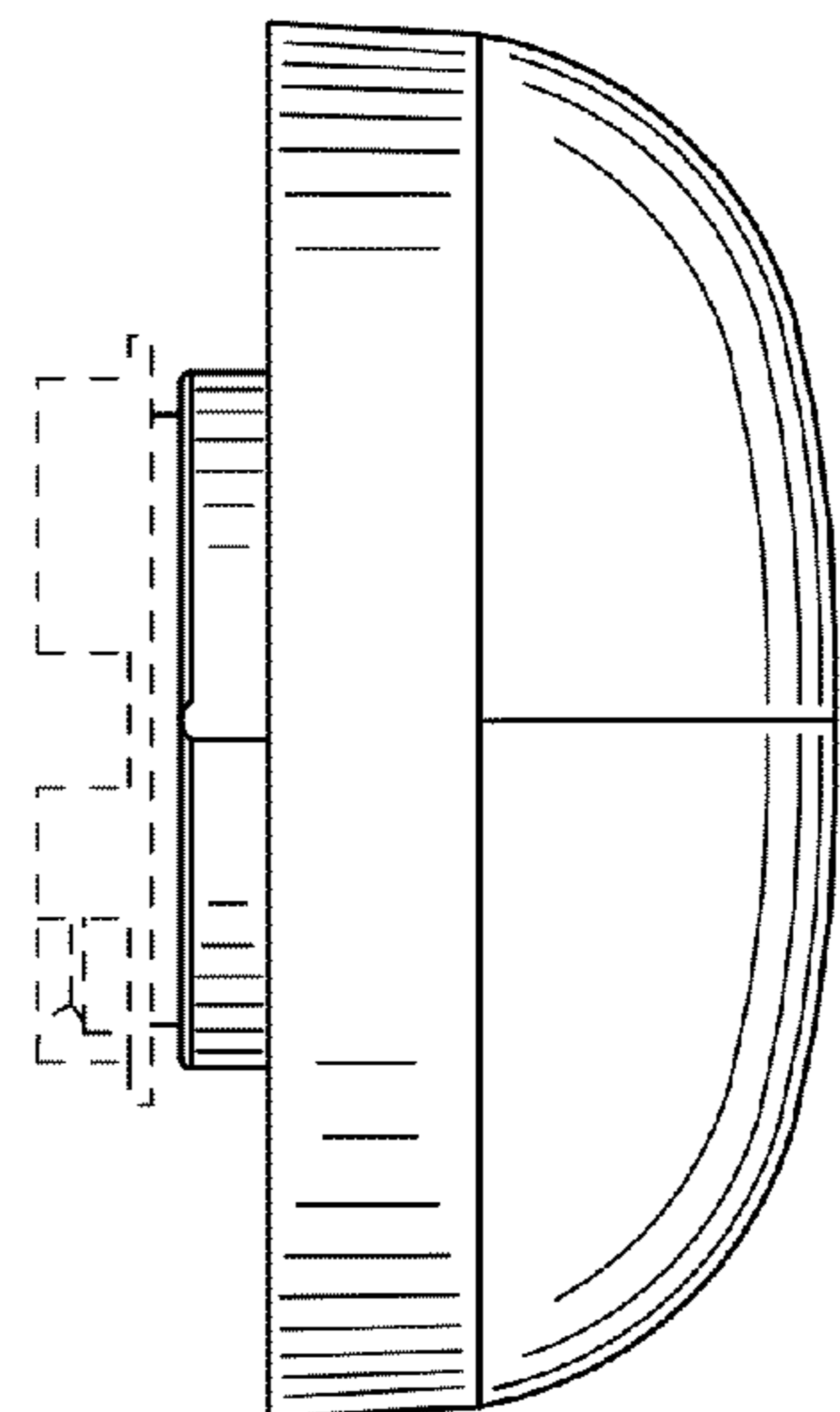


FIG. 4

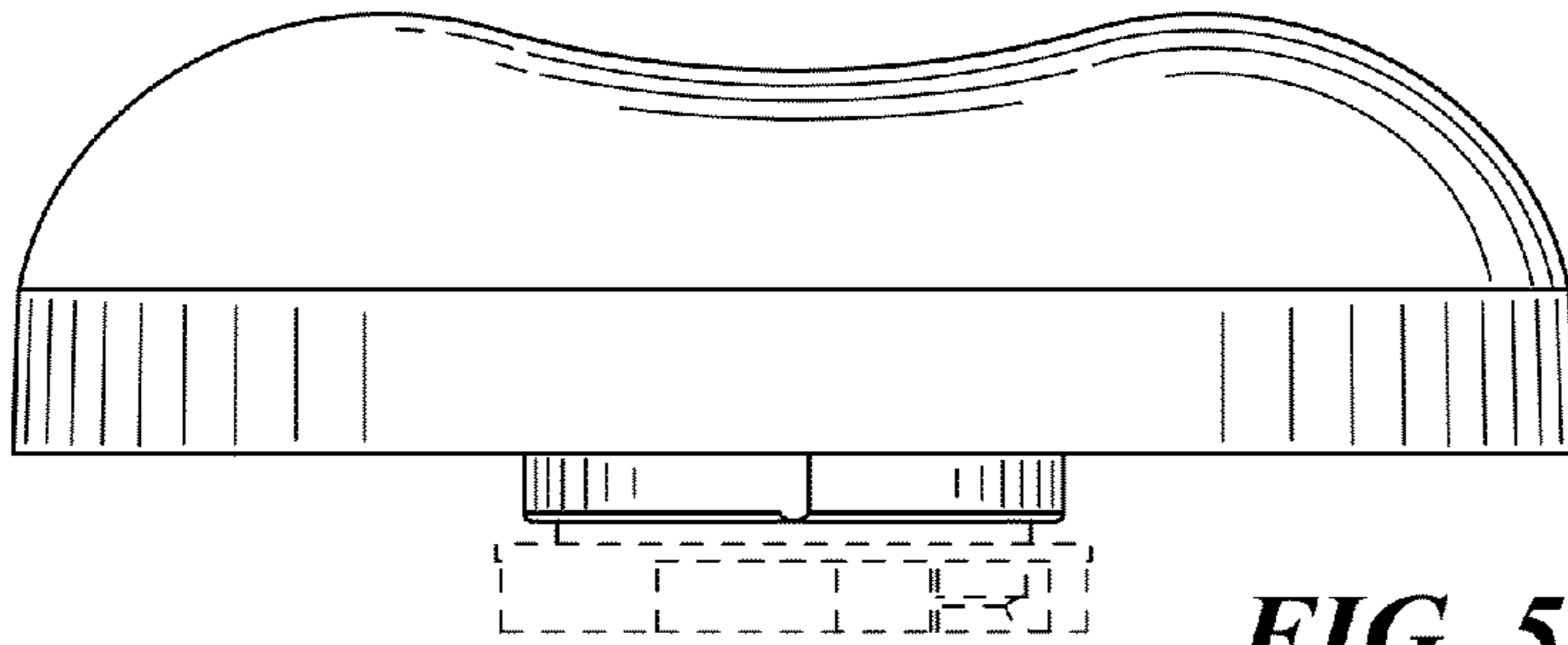


FIG. 5

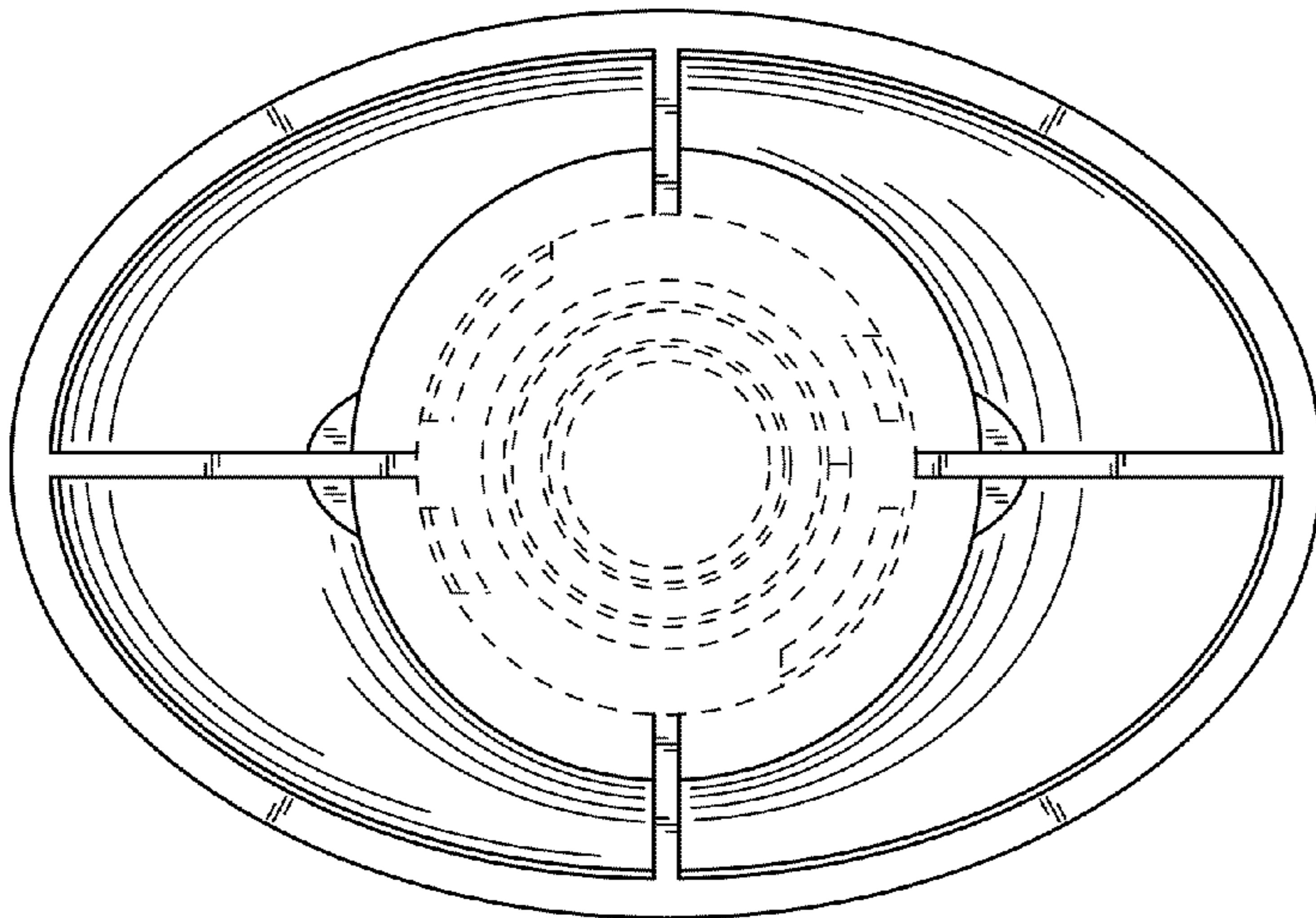


FIG. 6

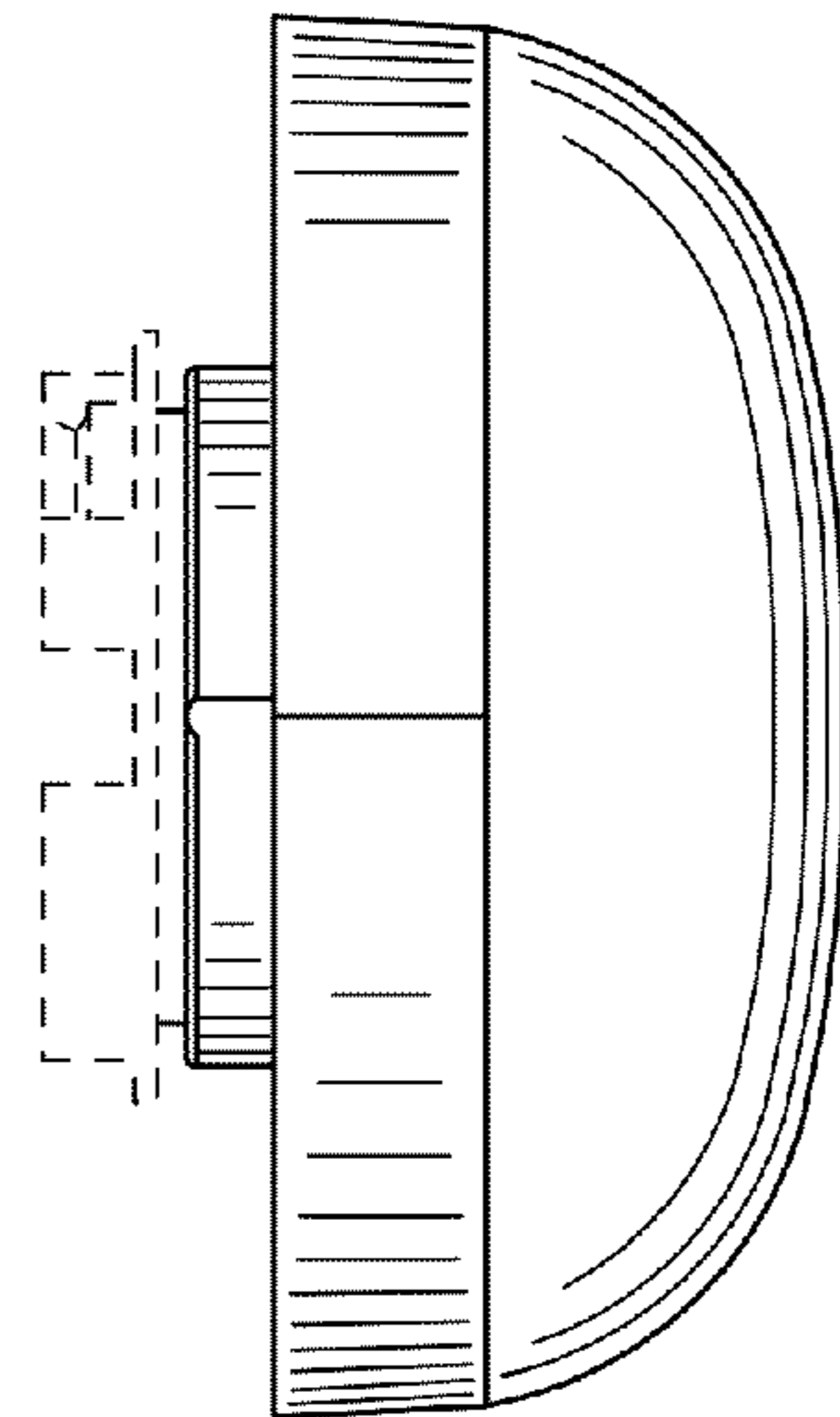


FIG. 7

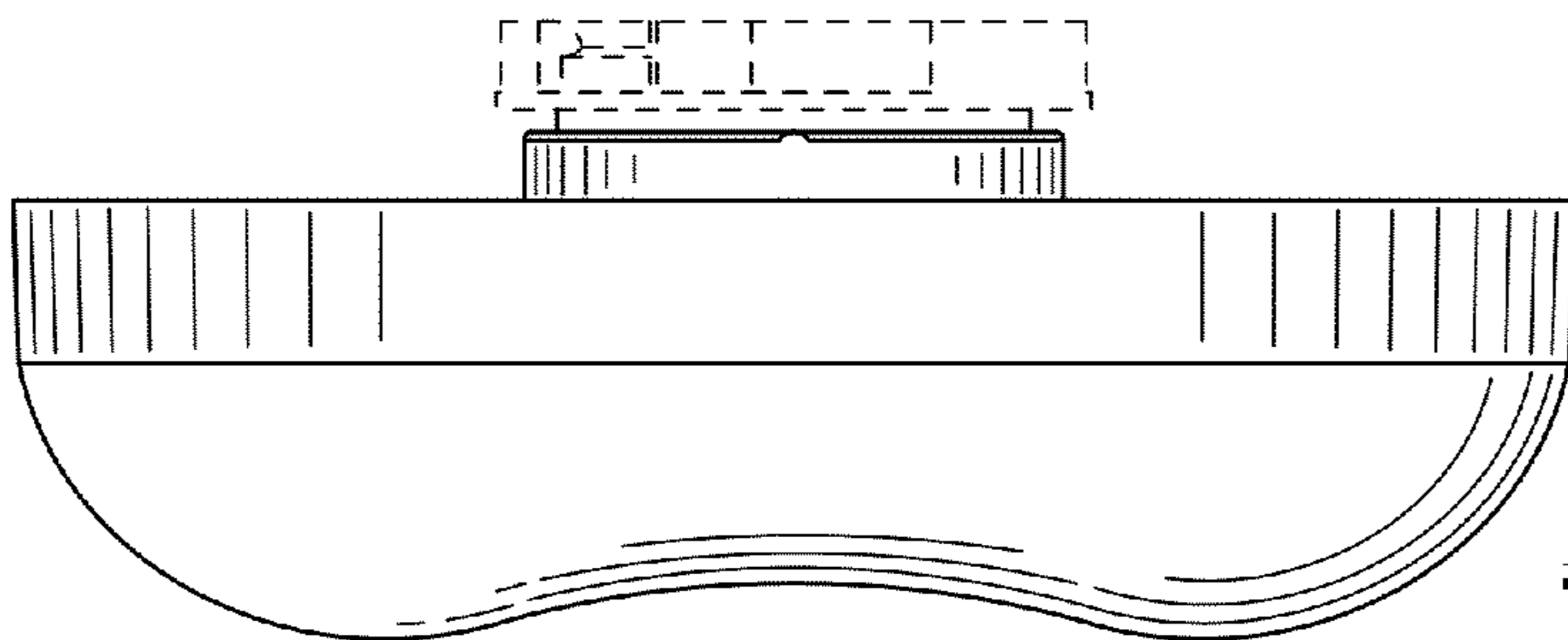


FIG. 8