



US00D682684S

(12) **United States Design Patent**
Walter et al.

(10) **Patent No.:** **US D682,684 S**
(45) **Date of Patent:** **** May 21, 2013**

(54) **ORAL CARE PACKAGE**

(75) Inventors: **Maxine Jane Walter**, Egham (GB);
Tina Marie Bernard, Middletown, OH
(US); **Mahmood A. Shaikh**, Vernon
Hills, IL (US); **Charles A. W.**
Alexander, McLeansville, NC (US);
Rob Harold Pfister, Jr., Greensboro, NC
(US)

(73) Assignee: **The Procter & Gamble Company**,
Cincinnati, OH (US)

(**) Term: **14 Years**

(21) Appl. No.: **29/386,448**

(22) Filed: **Mar. 1, 2011**

(51) **LOC (9) Cl.** **09-07**

(52) **U.S. Cl.**
USPC **D9/434**

(58) **Field of Classification Search** D9/414,
D9/416, 418, 420-424, 430-433; D3/272;
206/267, 269, 270, 273, 299, 421, 454, 457,
206/737, 740, 822, 775-778, 784; 229/100,
229/101, 101.3, 106, 108-122, 221, 222,
229/227, 902, 939, 941, 942

See application file for complete search history.

(56) **References Cited**

U.S. PATENT DOCUMENTS

D183,567 S *	9/1958	Hagan	D9/432
D183,717 S	10/1958	Casler		
D194,246 S	12/1962	Engelman		
D244,993 S	7/1977	Drysdale		
5,000,375 A	3/1991	Farber		
5,000,378 A	3/1991	Dorr		
D389,055 S	1/1998	Seo		
D391,847 S	3/1998	Seo		

(Continued)

FOREIGN PATENT DOCUMENTS

AU	313333	3/2007
AU	313335	3/2007

(Continued)

OTHER PUBLICATIONS

Picture of carton, seen on shelf in the UK in Feb. 2011.

(Continued)

Primary Examiner — Robert M Spear

Assistant Examiner — Vy Koenig

(74) *Attorney, Agent, or Firm* — David M. Weirich

(57) **CLAIM**

The ornamental design for an oral care package, as shown and described.

DESCRIPTION

FIG. 1 is a perspective view of an oral care package, embodying our new design;

FIG. 2 is a front view thereof;

FIG. 3 is a back view thereof;

FIG. 4 is a left side view thereof;

FIG. 5 is a right side view thereof;

FIG. 6 is a top plan view thereof;

FIG. 7 is a bottom view thereof;

FIG. 8 is a perspective view of a second embodiment of an oral care package, embodying our new design;

FIG. 9 is a front view thereof;

FIG. 10 is a back view thereof;

FIG. 11 is a left side view thereof;

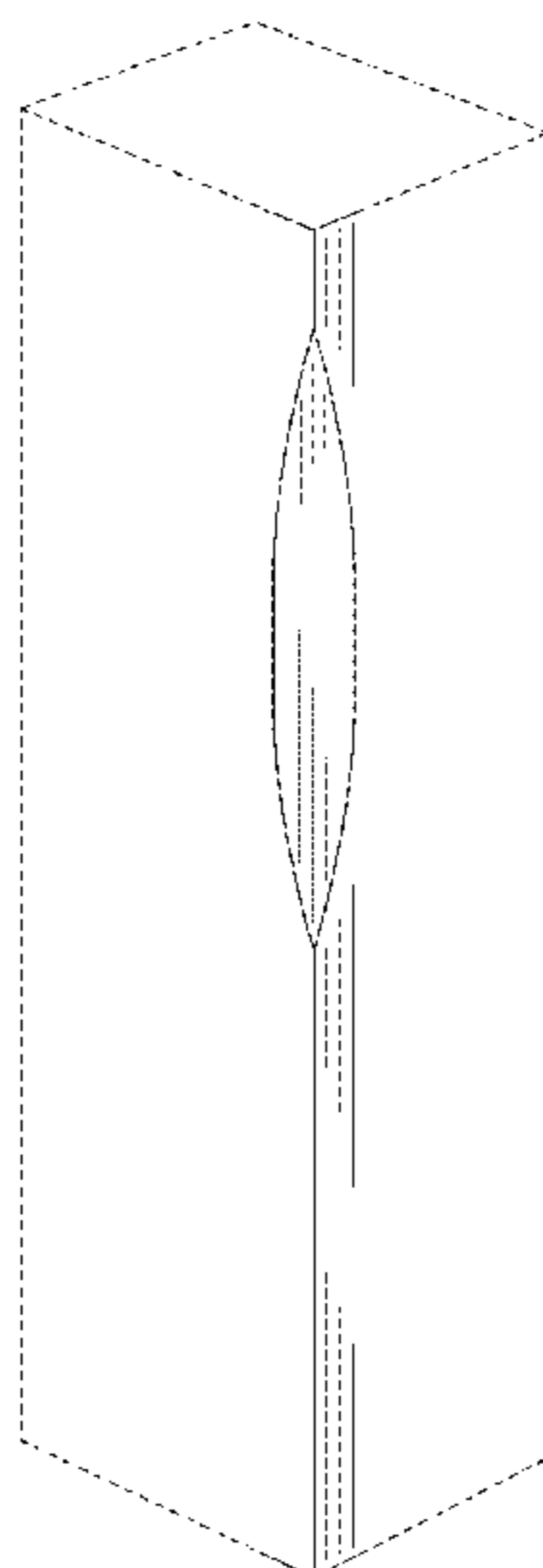
FIG. 12 is a right side view thereof;

FIG. 13 is a top plan view thereof; and,

FIG. 14 is a bottom view thereof.

The broken line showing in all figures is included for the purpose of illustrating portions of the "article" and forms no part of the claimed design.

1 Claim, 4 Drawing Sheets



US D682,684 S

Page 2

U.S. PATENT DOCUMENTS

D394,385 S 5/1998 Laughlin
D397,294 S * 8/1998 Saulas D9/430
D420,907 S 2/2000 Stacy-Ryan
D436,032 S 1/2001 Croft
D436,033 S 1/2001 Croft
D460,355 S 7/2002 Lenz
D464,566 S 10/2002 Anchor
D468,638 S 1/2003 Nogami
D473,464 S 4/2003 Anchor
D503,827 S * 4/2005 Cahill et al. D27/189
D512,630 S 12/2005 Tachikawa
D513,177 S 12/2005 Tachikawa
D518,368 S 4/2006 Tachikawa
D519,832 S 5/2006 Demathieu
D521,373 S 5/2006 Stanton
D521,376 S 5/2006 Mosto
D538,156 S 3/2007 Ayats
D549,096 S 8/2007 Ayats
D553,496 S 10/2007 Martuch
D554,509 S 11/2007 Ghalebi
D562,129 S 2/2008 Kortsmit
D562,130 S 2/2008 Kortsmit
D564,886 S 3/2008 Ghalebi
D578,389 S 10/2008 Kalberer
D589,791 S 4/2009 Kalberer
7,523,853 B2 4/2009 Korstmit
D596,027 S 7/2009 Kalberer
D598,745 S * 8/2009 Bohache et al. D9/430
D601,016 S 9/2009 Kalberer
D602,631 S 10/2009 Steinkamp

D616,300 S * 5/2010 Shaikh D9/430
D629,294 S * 12/2010 Chinnis D9/431
D629,295 S * 12/2010 Franic D9/433
D635,018 S * 3/2011 Wallace et al. D9/433
D652,316 S * 1/2012 Ren et al. D9/600
D657,239 S * 4/2012 Gavrilencov et al. D9/432
2008/0135607 A1 6/2008 Barthel

FOREIGN PATENT DOCUMENTS

AU 320238 7/2008
AU 320239 7/2008
AU 320240 7/2008
AU 321880 11/2008
CA 100817 7/2003
CA 126970 10/2009
CA 126971 10/2009
GB 2068742 5/1998
GB 2094873 10/2000
GB 2091409 1/2001
GB 3001020 10/2002
GB 3004410 4/2003
GB 3004411 4/2003
GB 3004412 4/2003
GB 4001247 2/2007

OTHER PUBLICATIONS

Picture of product believed to be seen on store shelf in Russia and/or Turkey around Jan.-Mar. of 2009.

* cited by examiner

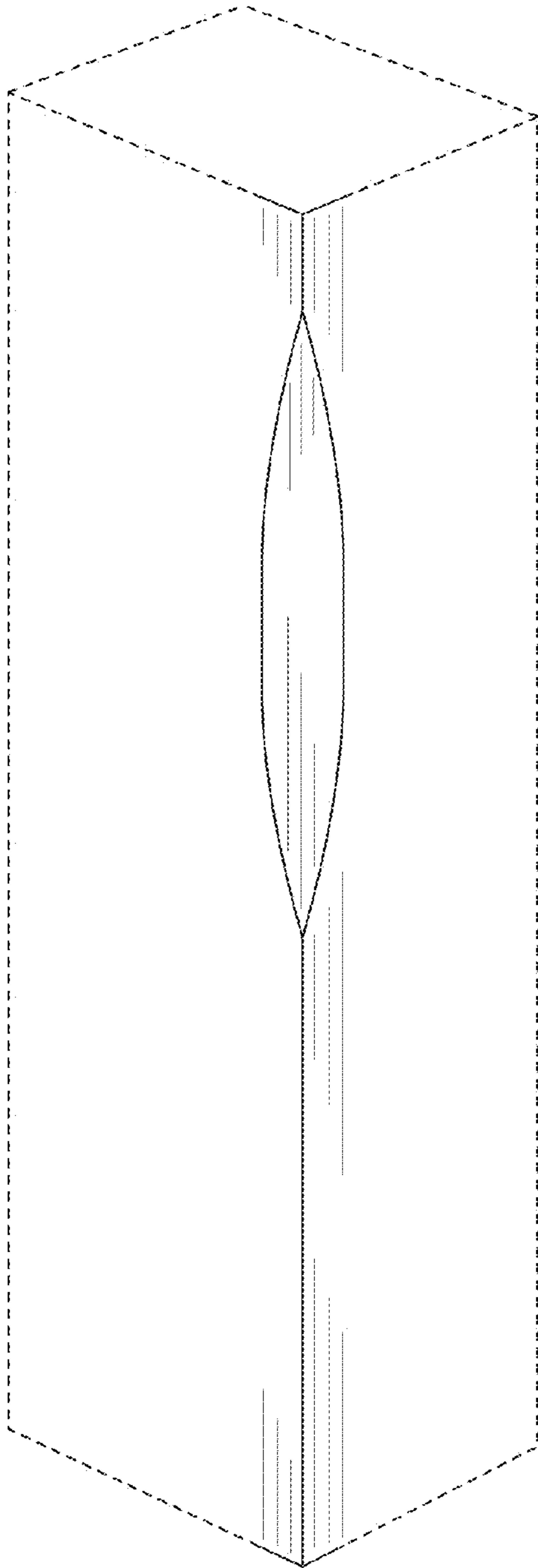


Fig. 1

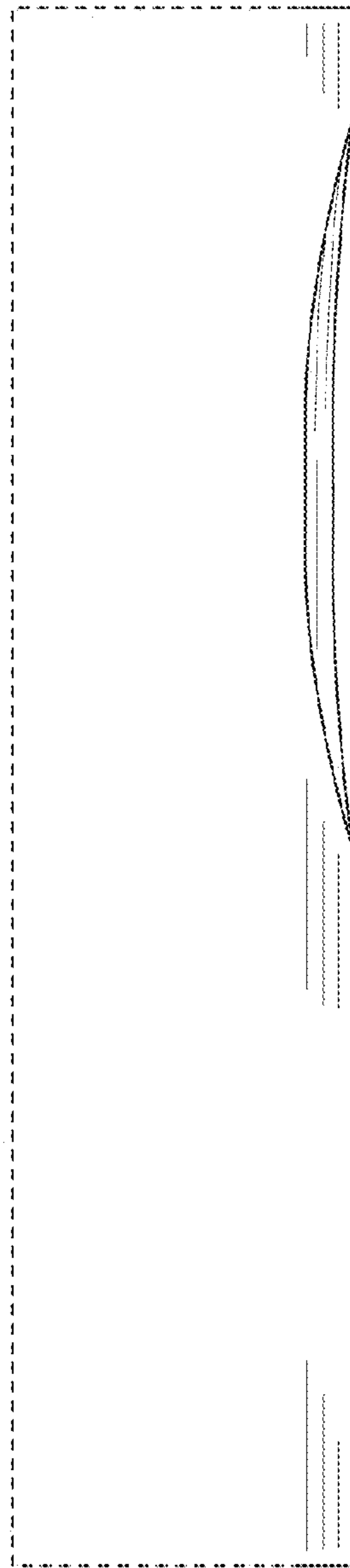


Fig. 2

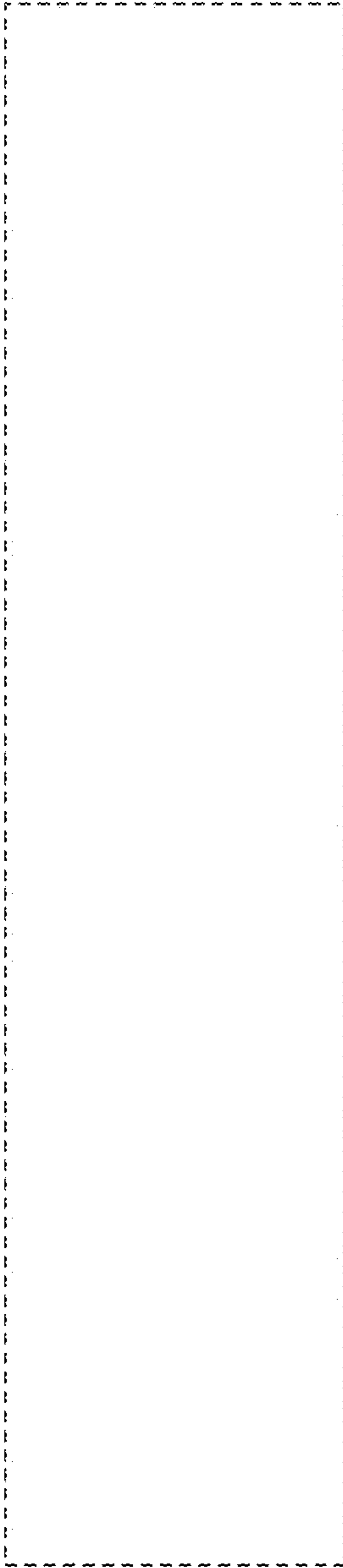


Fig. 3

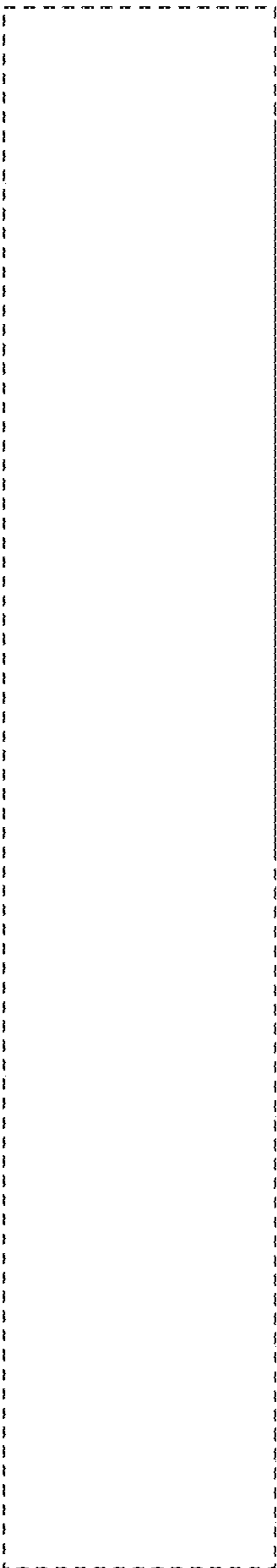


Fig. 4

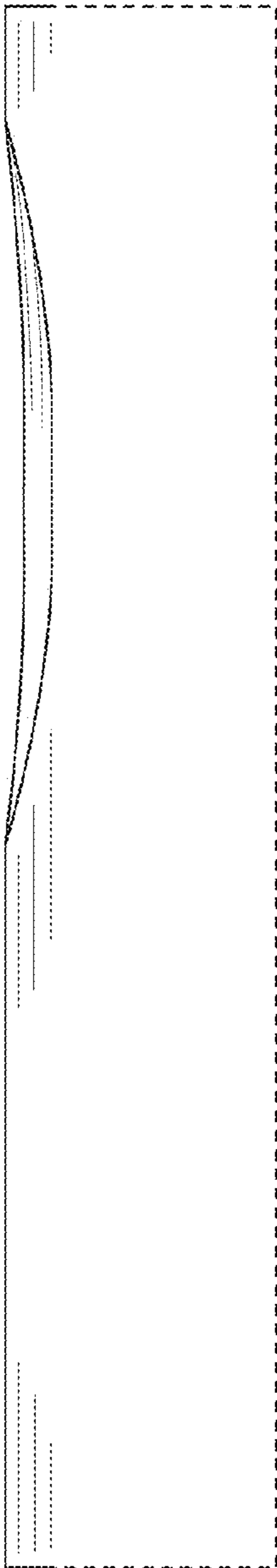


Fig. 5

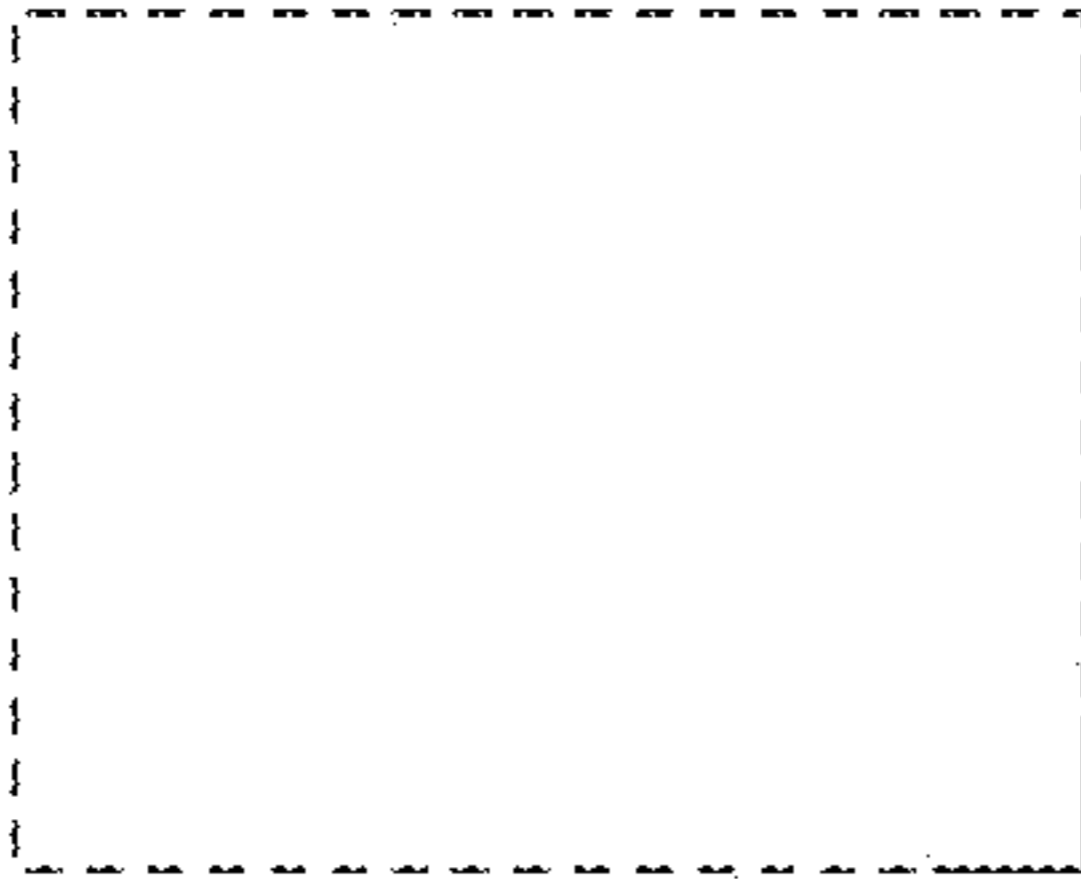


Fig. 6



Fig. 7

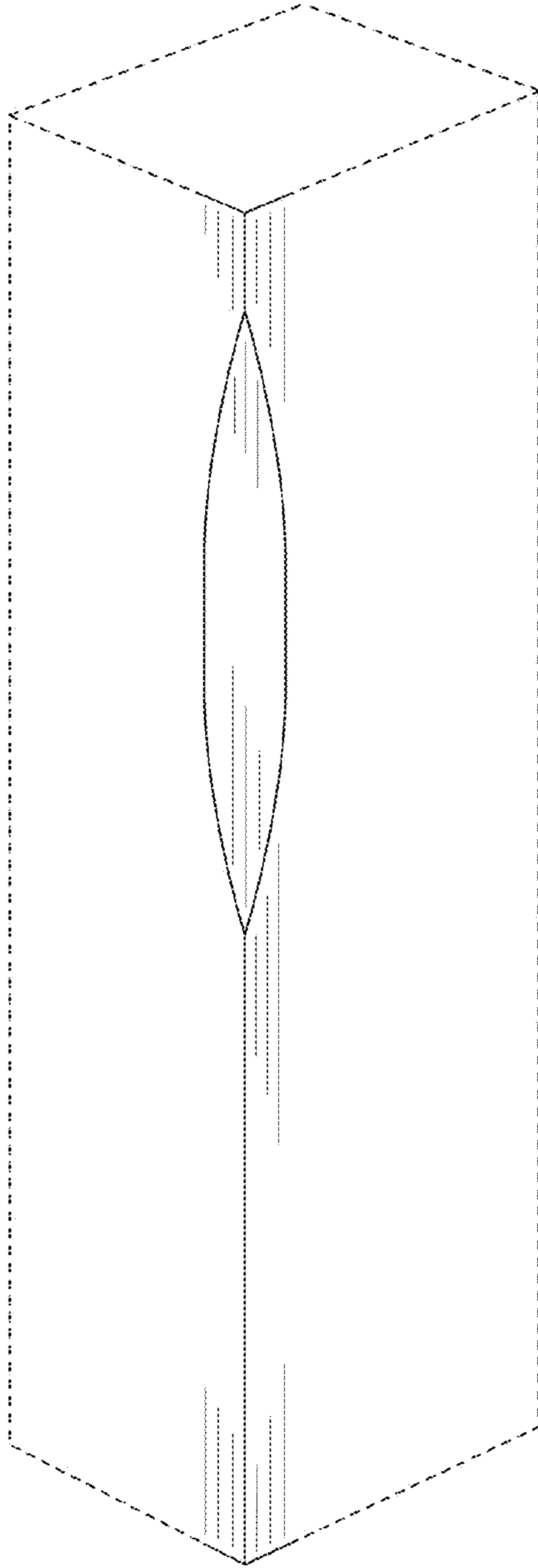


Fig. 8

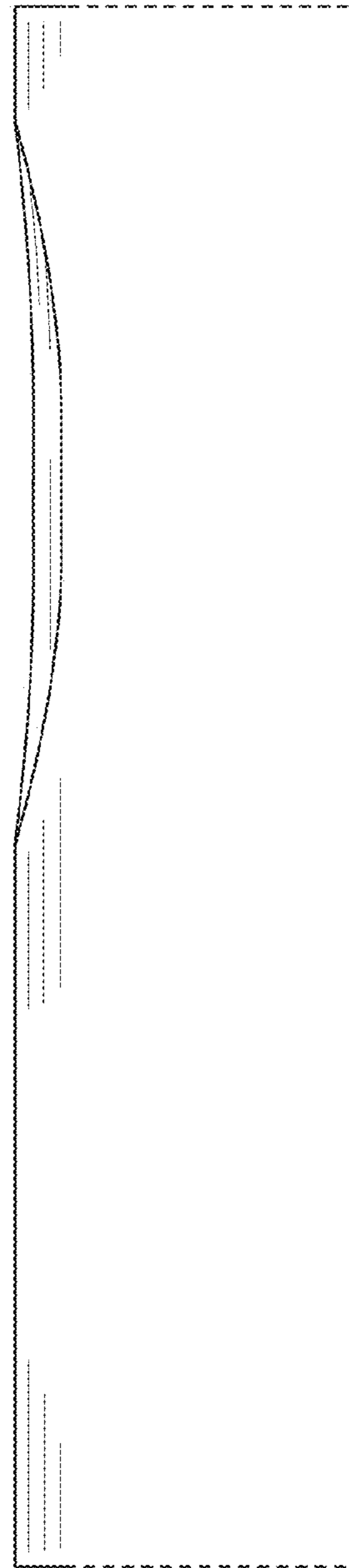


Fig. 9

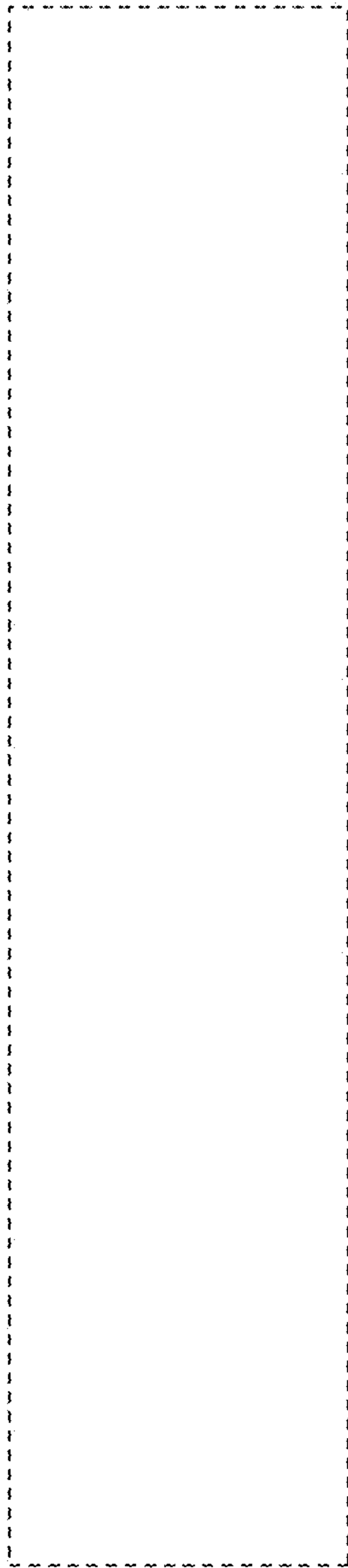


Fig. 10

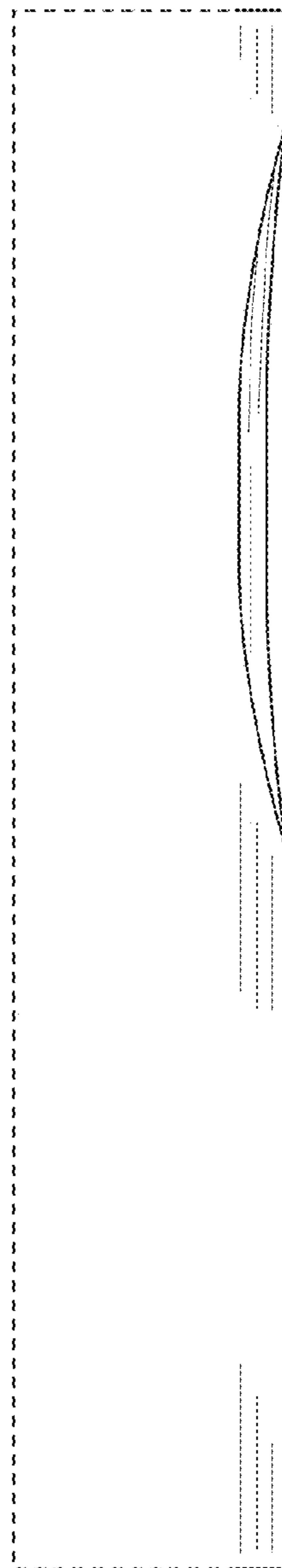


Fig. 11

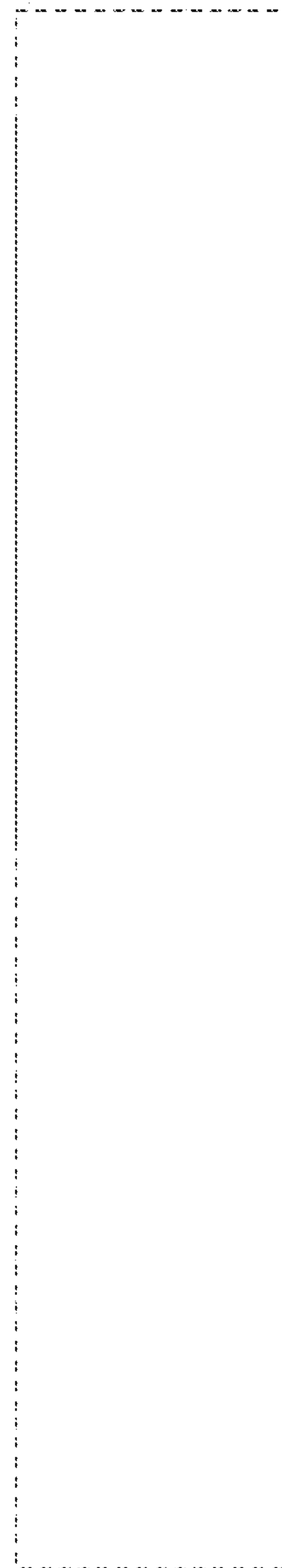


Fig. 12



Fig. 13

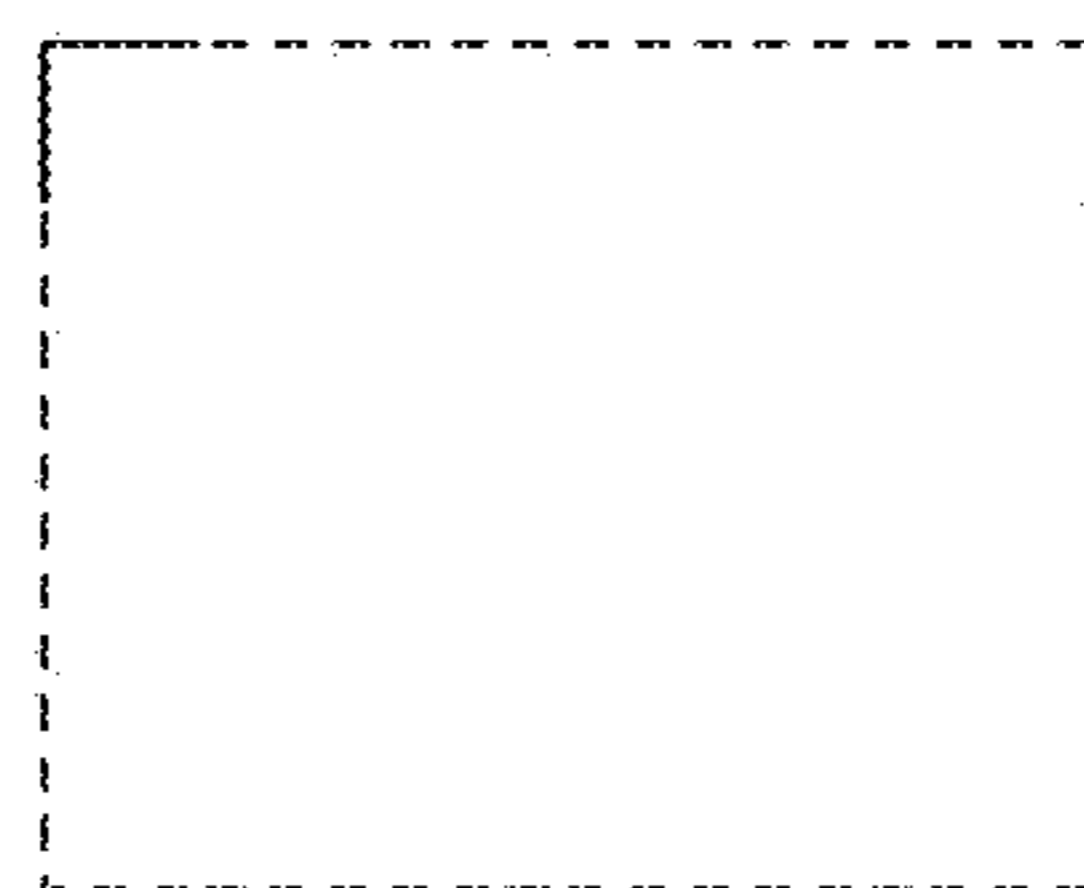


Fig. 14