



US00D682683S

(12) **United States Design Patent**
Brogan et al.

(10) **Patent No.:** **US D682,683 S**
(45) **Date of Patent:** **** May 21, 2013**

- (54) **BAG IN BOX LINER CONTAINER**
- (71) Applicant: **Printpack Illinois, Inc.**, Elgin, IL (US)
- (72) Inventors: **Mark Ronald Brogan**, Minneapolis, MN (US); **Gary Borges**, Eagan, MN (US); **Hannah Catherine Smith**, Smyrna, GA (US)
- (73) Assignee: **Printpack Illinois, Inc.**, Elgin, IL (US)
- (**) Term: **14 Years**
- (21) Appl. No.: **29/440,544**
- (22) Filed: **Dec. 21, 2012**
- (51) **LOC (9) Cl.** **09-03**
- (52) **U.S. Cl.**
USPC **D9/432**
- (58) **Field of Classification Search** D9/414,
D9/416, 418, 420-424, 430-433; D3/272,
D3/273, 302; 206/267, 269, 270, 273, 299,
206/737, 740, 822; 229/100, 101, 101.3,
229/106, 108-122
See application file for complete search history.

(56) **References Cited**

U.S. PATENT DOCUMENTS

- 2,370,680 A * 3/1945 Moore 229/117.33
- 2,372,452 A * 3/1945 Rohdin 229/117.33

(Continued)

Primary Examiner — Susan Bennett Hattan

Assistant Examiner — Vy Koenig

(74) *Attorney, Agent, or Firm* — Sutherland Asbill & Brennan LLP

(57) **CLAIM**

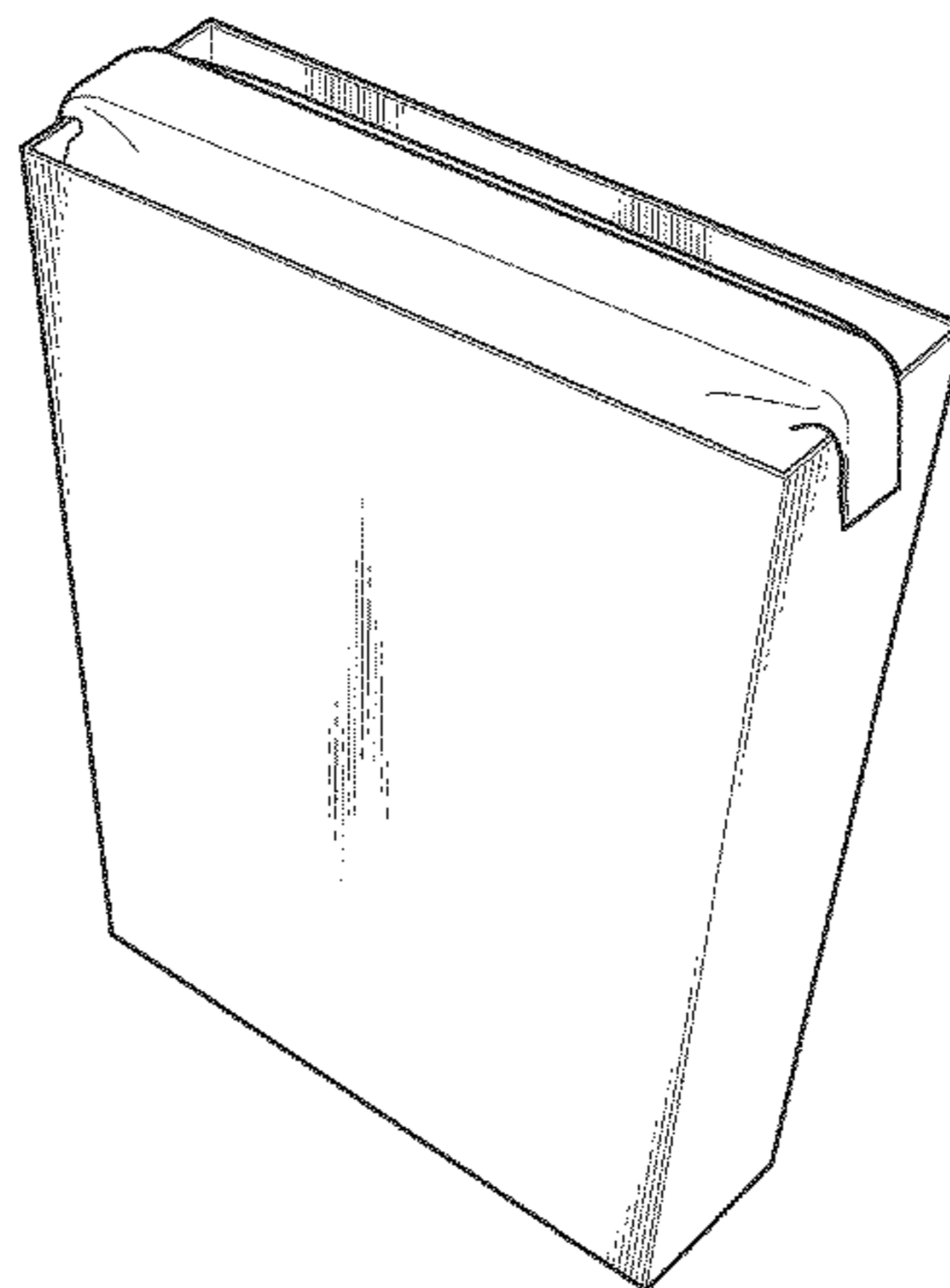
The ornamental design for a bag in box liner container, as shown and described.

DESCRIPTION

FIG. 1 is a forward upper perspective view of a bag in box liner container showing our new design;

FIG. 2 is a rear lower perspective view thereof;
 FIG. 3 is a first side view thereof;
 FIG. 4 is a rear view thereof;
 FIG. 5 is a second side view thereof;
 FIG. 6 is a front view thereof;
 FIG. 7 is a top view thereof;
 FIG. 8 is a bottom view thereof;
 FIG. 9 is a second forward upper perspective view thereof, the only difference being the illustration of the upper edges of the bag as unsealed to the box, it being understood that the container is the same as is shown in FIG. 1;
 FIG. 10 is a second rear lower perspective view thereof, the only difference being the illustration of the upper edges of the bag as unsealed to the box, it being understood that the container is the same as is shown in FIG. 2;
 FIG. 11 is a third side view thereof, the only difference being the illustration of the upper edges of the bag as unsealed to the box, it being understood that the container is the same as is shown in FIG. 3;
 FIG. 12 is a second rear view thereof, the only difference being the illustration of the upper edges of the bag as unsealed to the box, it being understood that the container is the same as is shown in FIG. 4;
 FIG. 13 is a fourth side view thereof, the only difference being the illustration of the upper edges of the bag as unsealed to the box, it being understood that the container is the same as is shown in FIG. 5;
 FIG. 14 is a second front view thereof, the only difference being the illustration of the upper edges of the bag as unsealed to the box, it being understood that the container is the same as is shown in FIG. 6;
 FIG. 15 is a second top view thereof, the only difference being the illustration of the upper edges of the bag as unsealed to the box, it being understood that the container is the same as is shown in FIG. 7; and,
 FIG. 16 is a second bottom view thereof, the only difference being the illustration of the upper edges of the bag as unsealed to the box, it being understood that the container is the same as is shown in FIG. 8.

1 Claim, 8 Drawing Sheets



US D682,683 S

Page 2

U.S. PATENT DOCUMENTS								
4,064,302	A	12/1977	Kozlowski et al.	6,840,401	B2 *	1/2005	Amundson	221/56
4,082,216	A	4/1978	Clarke	6,851,601	B1 *	2/2005	Montoya	229/120
4,115,909	A	9/1978	Corella	7,887,473	B2	2/2011	Nagata et al.	
4,890,761	A	1/1990	Gaves	D634,646	S	3/2011	Belko et al.	
D395,236	S *	6/1998	Doi	D643,716	S	8/2011	Kozarsky et al.	
6,186,663	B1	2/2001	Ausnit	8,220,651	B2 *	7/2012	Norcom	220/1.6
D451,794	S	12/2001	Ichikawa	2006/0191985	A1 *	8/2006	Norcom	229/117.05
6,334,710	B1	1/2002	Kuge et al.	2011/0017812	A1	1/2011	Belko et al.	
D458,121	S	6/2002	Ichikawa	2011/0017814	A1	1/2011	Belko et al.	
D482,966	S	12/2003	Booth et al.	2012/0014622	A1	1/2012	Schwallie et al.	
D499,021	S *	11/2004	Tiilikka et al.	2012/0187182	A1	7/2012	Howell et al.	

* cited by examiner

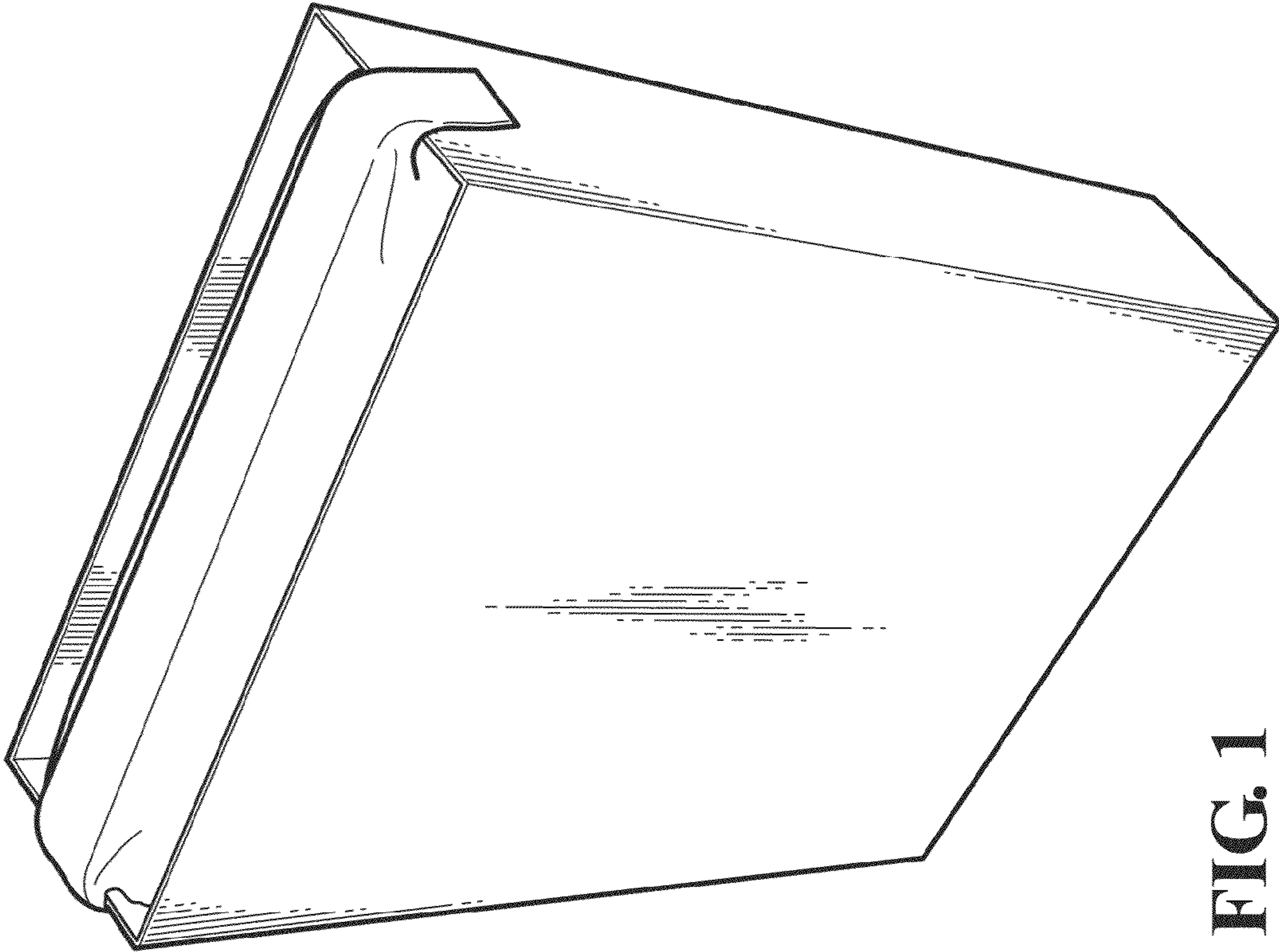


FIG. 1

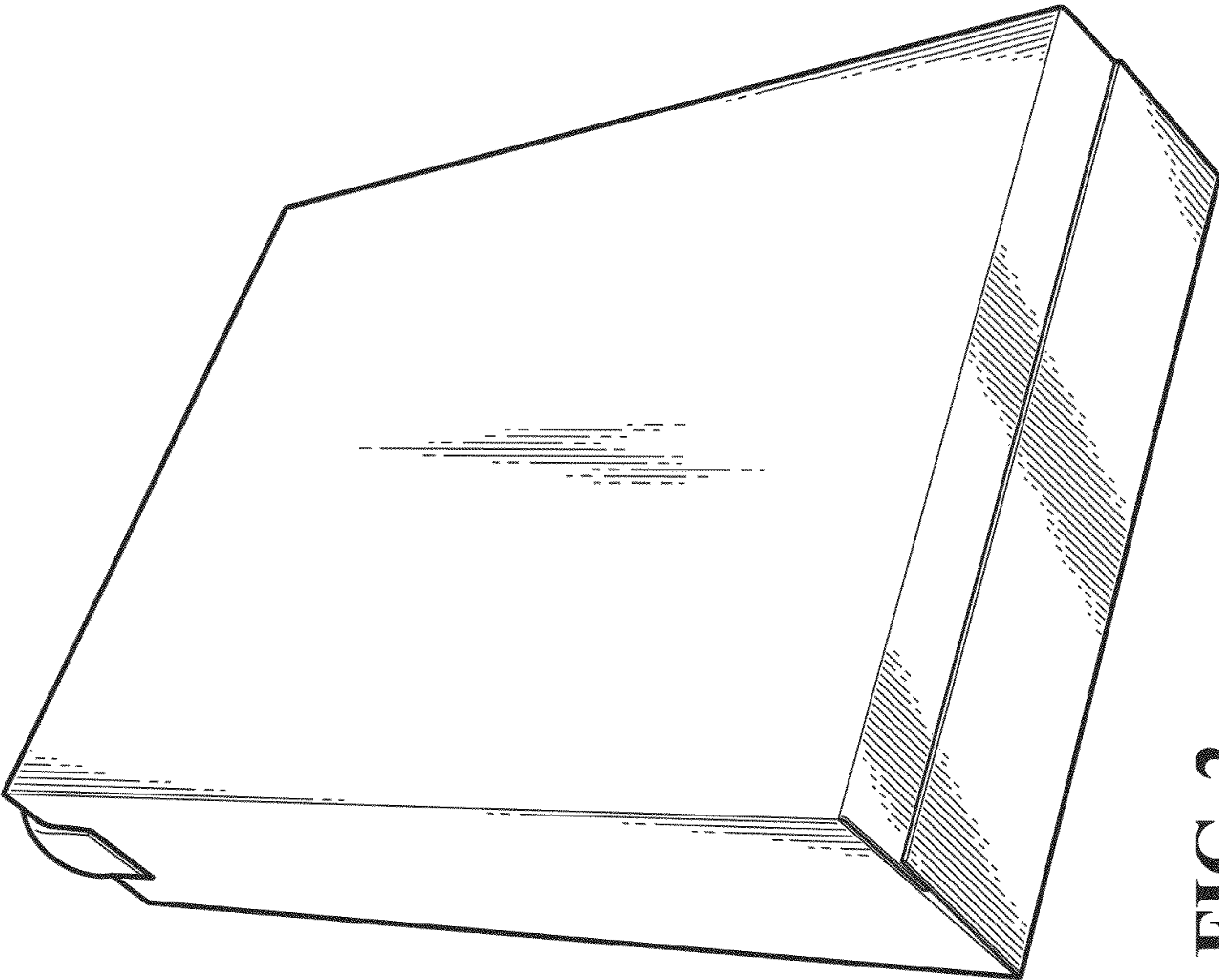


FIG. 2



FIG. 5

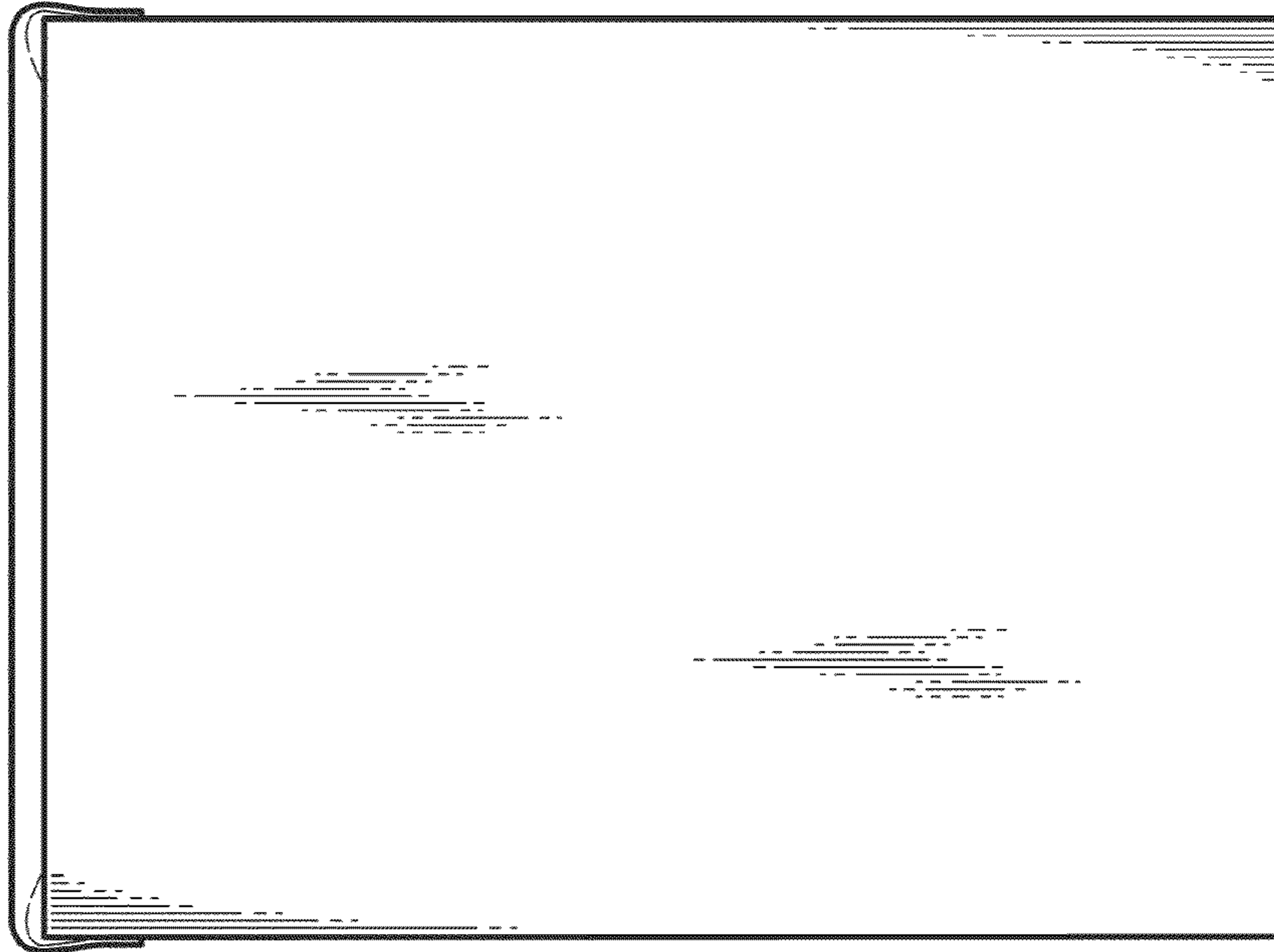


FIG. 4

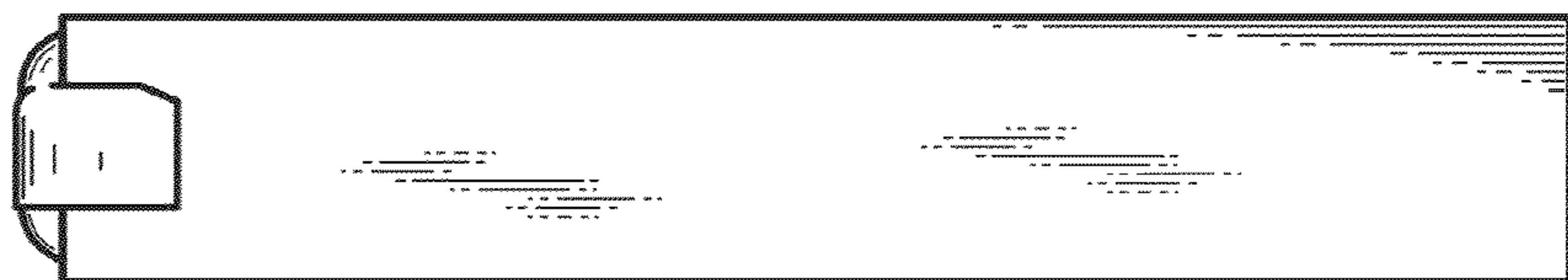


FIG. 3

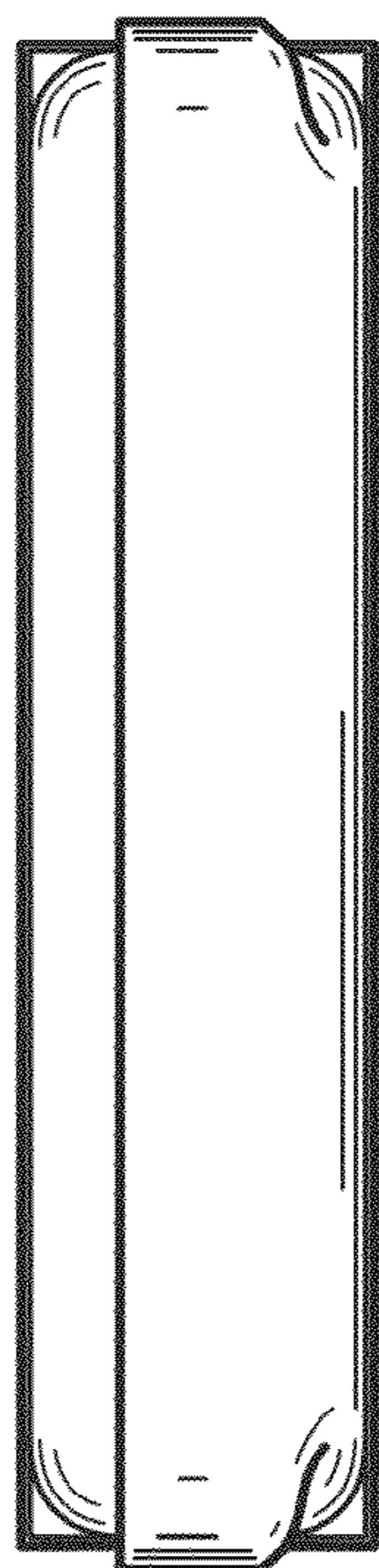


FIG. 7

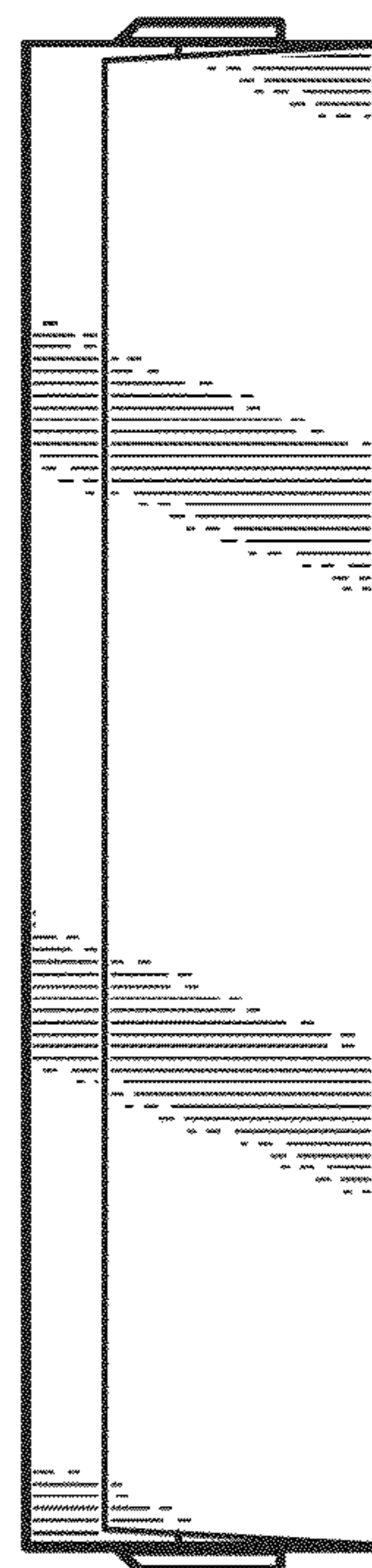


FIG. 8

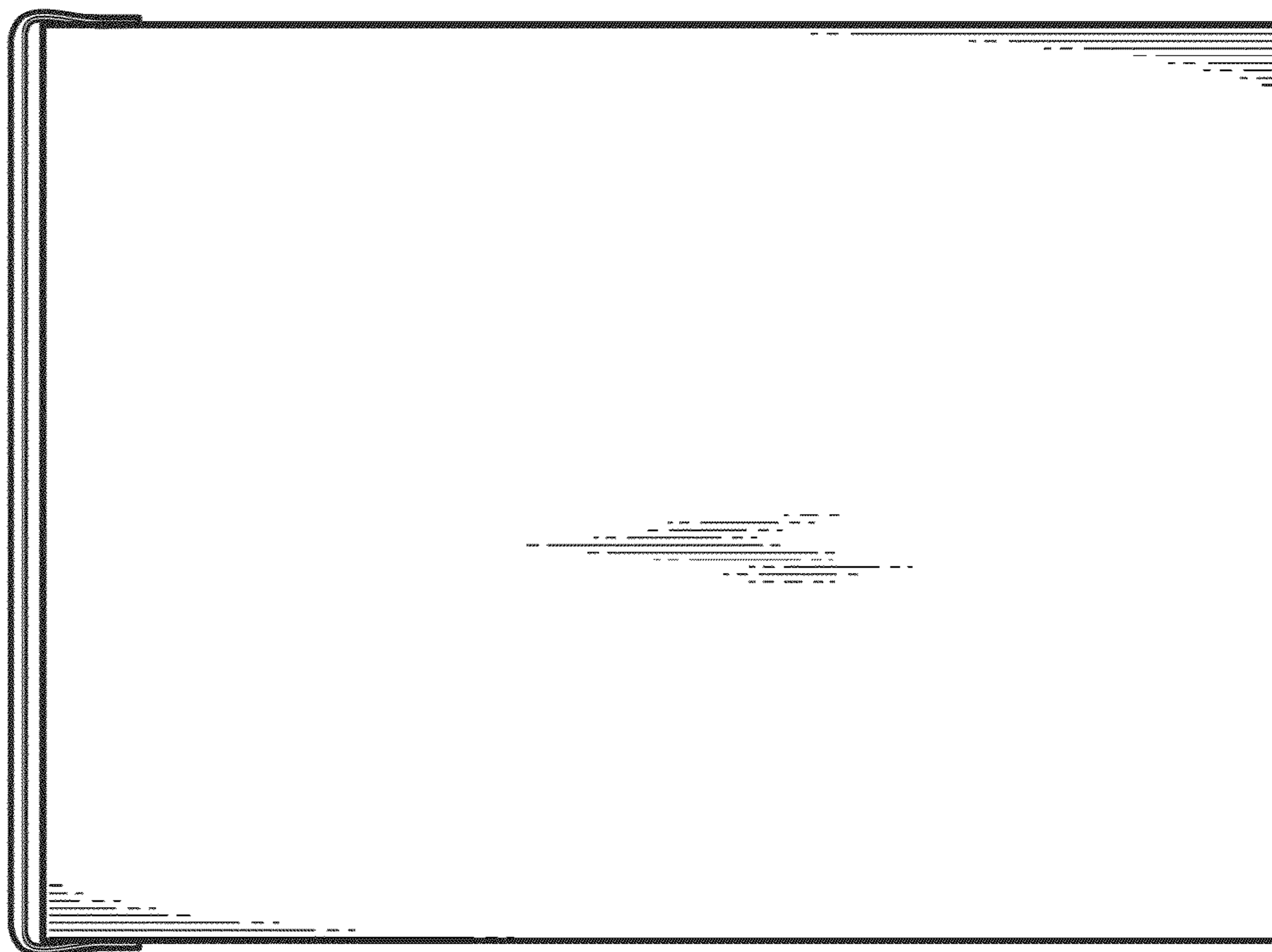


FIG. 6

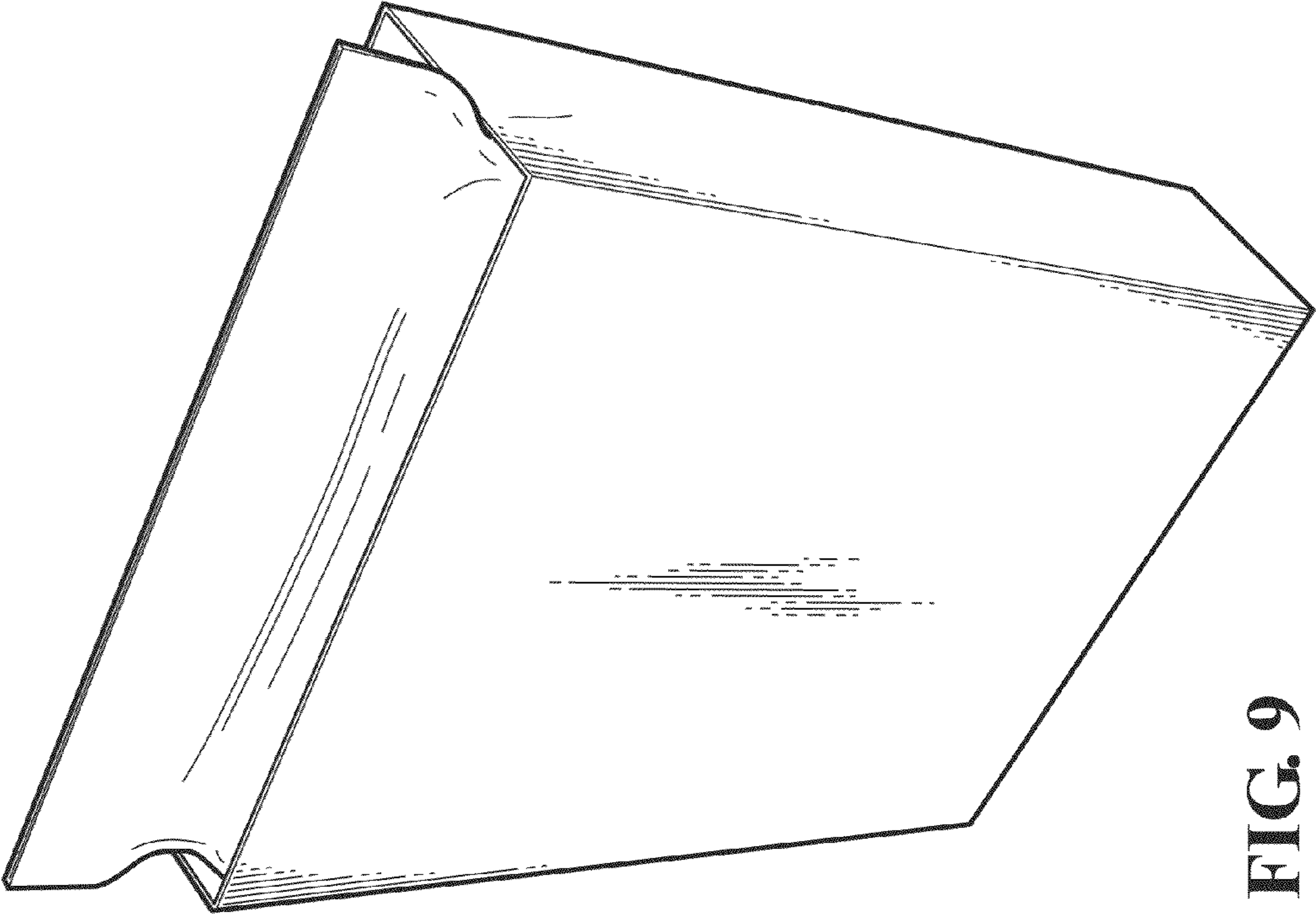


FIG. 9

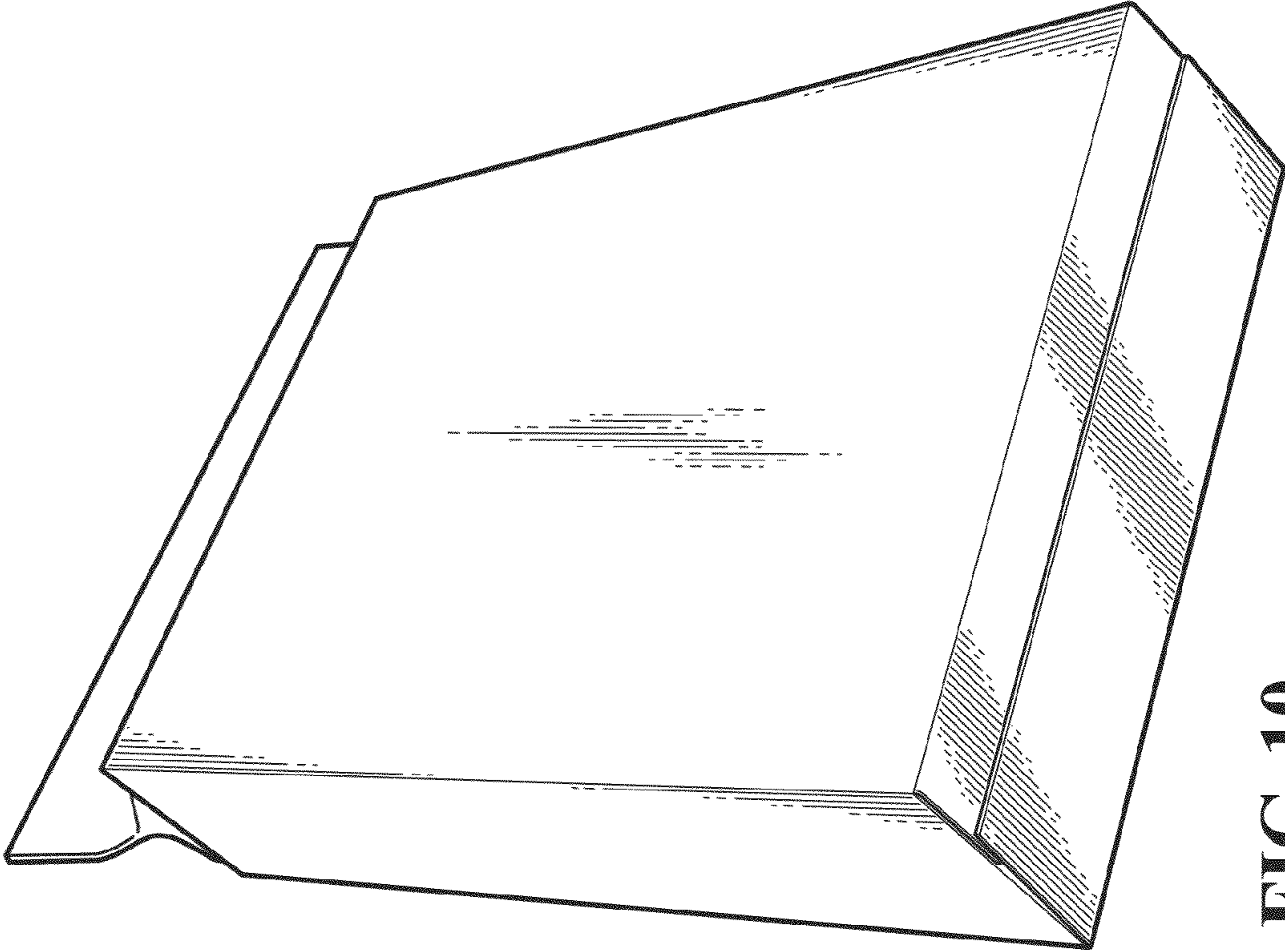


FIG. 10

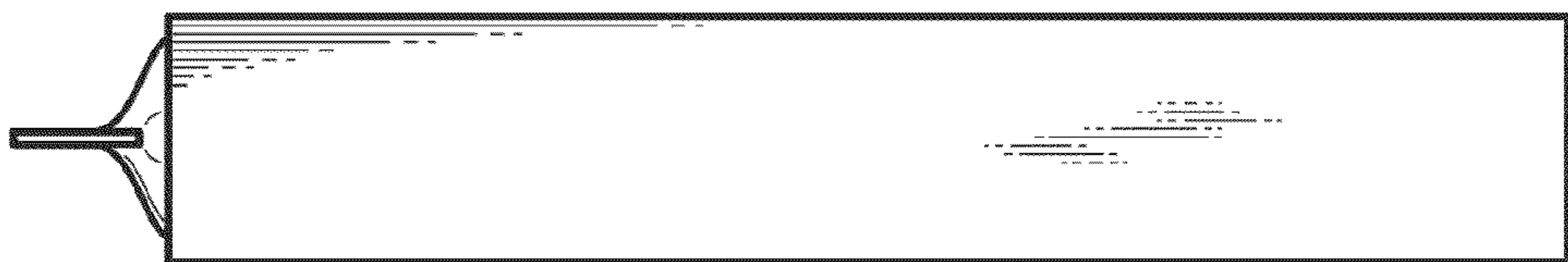


FIG. 11

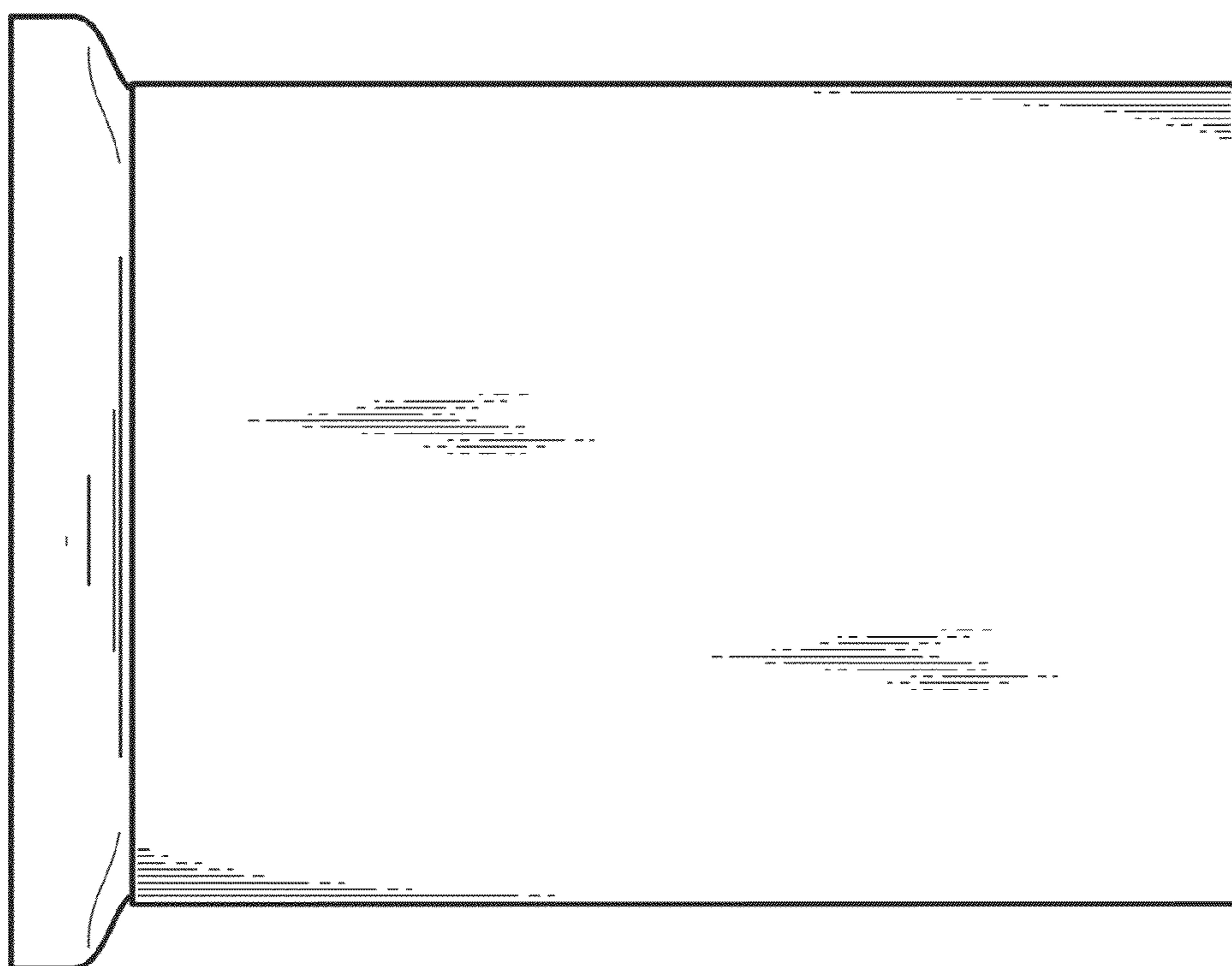


FIG. 12

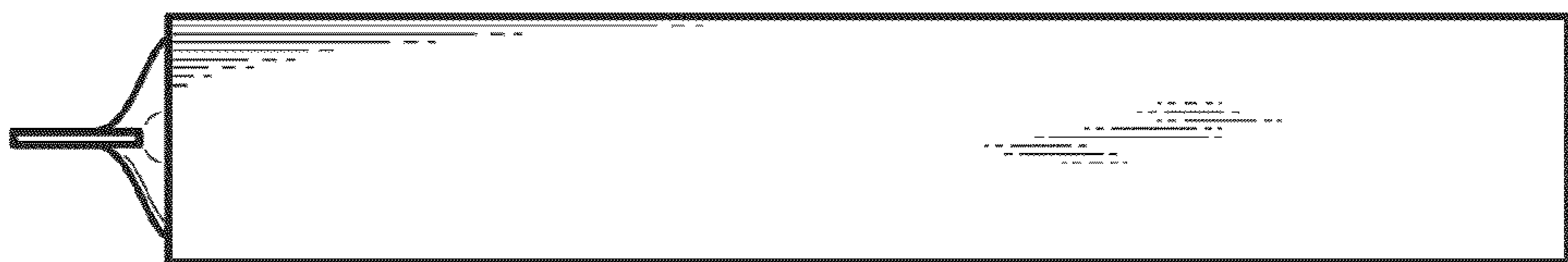


FIG. 13

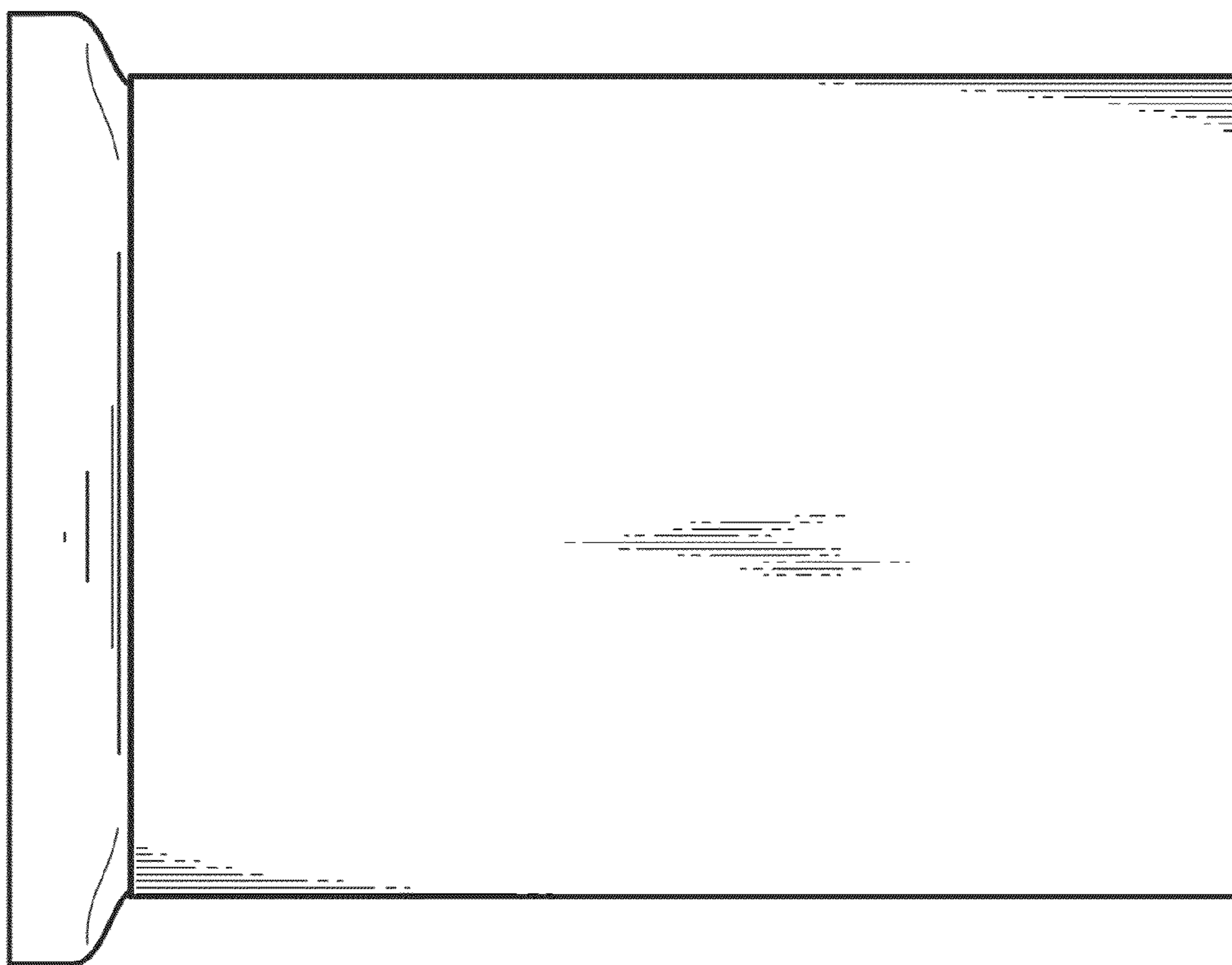


FIG. 14

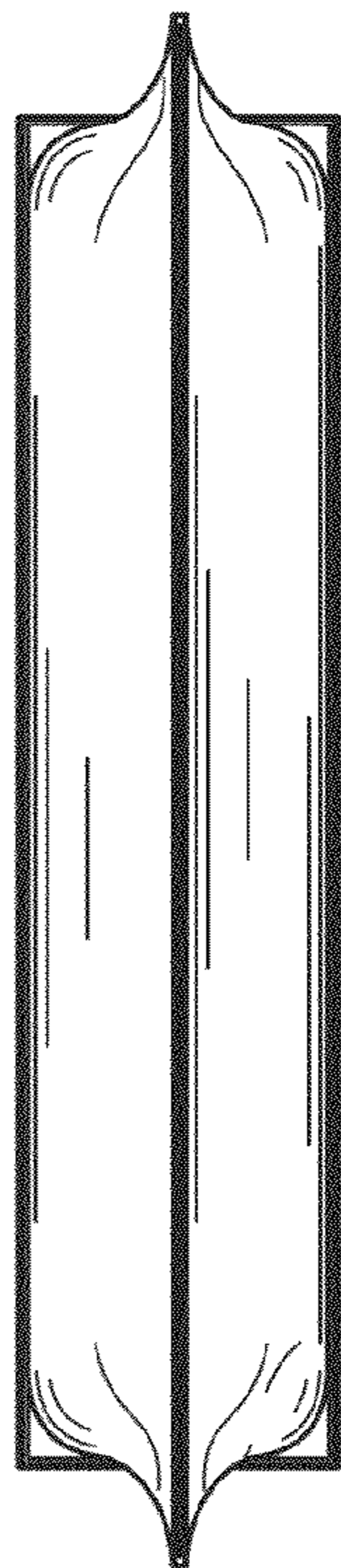


FIG. 15



FIG. 16