



US00D682681S

(12) **United States Design Patent**  
**Oxer**

(10) **Patent No.:** **US D682,681 S**

(45) **Date of Patent:** **\*\* May 21, 2013**

(54) **CONTAINER**

(76) **Inventor:** **Heather Oxer**, Jupiter, FL (US)

(\*\*) **Term:** **14 Years**

(21) **Appl. No.:** **29/425,872**

(22) **Filed:** **Jun. 28, 2012**

(51) **LOC (9) Cl.** ..... **09-03**

(52) **U.S. Cl.**

USPC ..... **D9/432**; D9/424

(58) **Field of Classification Search**

USPC ..... D9/414, 416, 418, 420-424, 430-433,  
D9/455-456; D3/272, 273, 302; 206/267,  
206/269, 270, 273, 299, 737, 740, 822; 229/100,  
229/101, 101.3, 106, 108-122

See application file for complete search history.

(56) **References Cited**

**U.S. PATENT DOCUMENTS**

2,293,187	A *	8/1942	Becker	.....	206/389
D294,125	S *	2/1988	Hesser et al.	.....	D9/420
D414,110	S *	9/1999	Gueret	.....	D9/435
D446,717	S *	8/2001	Lancaster et al.	.....	D9/418
D463,979	S *	10/2002	Rustioni	.....	D9/422
D487,870	S *	3/2004	Stewart et al.	.....	D9/782
D514,928	S *	2/2006	Keberlein	.....	D9/416
D530,196	S *	10/2006	Wijerama	.....	D9/418

D532,686	S *	11/2006	Wijerama	.....	D9/418
D578,884	S *	10/2008	Rozanski	.....	D9/432
D594,754	S *	6/2009	Dretzka	.....	D6/518
D603,716	S *	11/2009	Rica	.....	D9/560
D604,174	S *	11/2009	Rica	.....	D9/560
D608,600	S *	1/2010	Wood et al.	.....	D7/605
D642,928	S *	8/2011	Lundin	.....	D9/560
2006/0169757	A1 *	8/2006	McDowell	.....	229/122.33

\* cited by examiner

*Primary Examiner* — Susan Bennett Hattan

*Assistant Examiner* — Vy Koenig

(74) *Attorney, Agent, or Firm* — Matthew A. Werber;  
Seyfarth Shaw LLP

(57) **CLAIM**

The ornamental design for a container, as shown and described.

**DESCRIPTION**

FIG. 1 is a top perspective view of a container;  
FIG. 2 is a top view of the container shown in FIG. 1;  
FIG. 3 is a bottom view of the container shown in FIG. 1;  
FIG. 4 is a front view of the container shown in FIG. 1;  
FIG. 5 is a rear view of the container shown in FIG. 1;  
FIG. 6 is a right view of the container shown in FIG. 1; and,  
FIG. 7 is a left view of the container shown in FIG. 1.  
The broken lines illustrate environmental subject matter only  
and form no part of the claimed design.

**1 Claim, 2 Drawing Sheets**

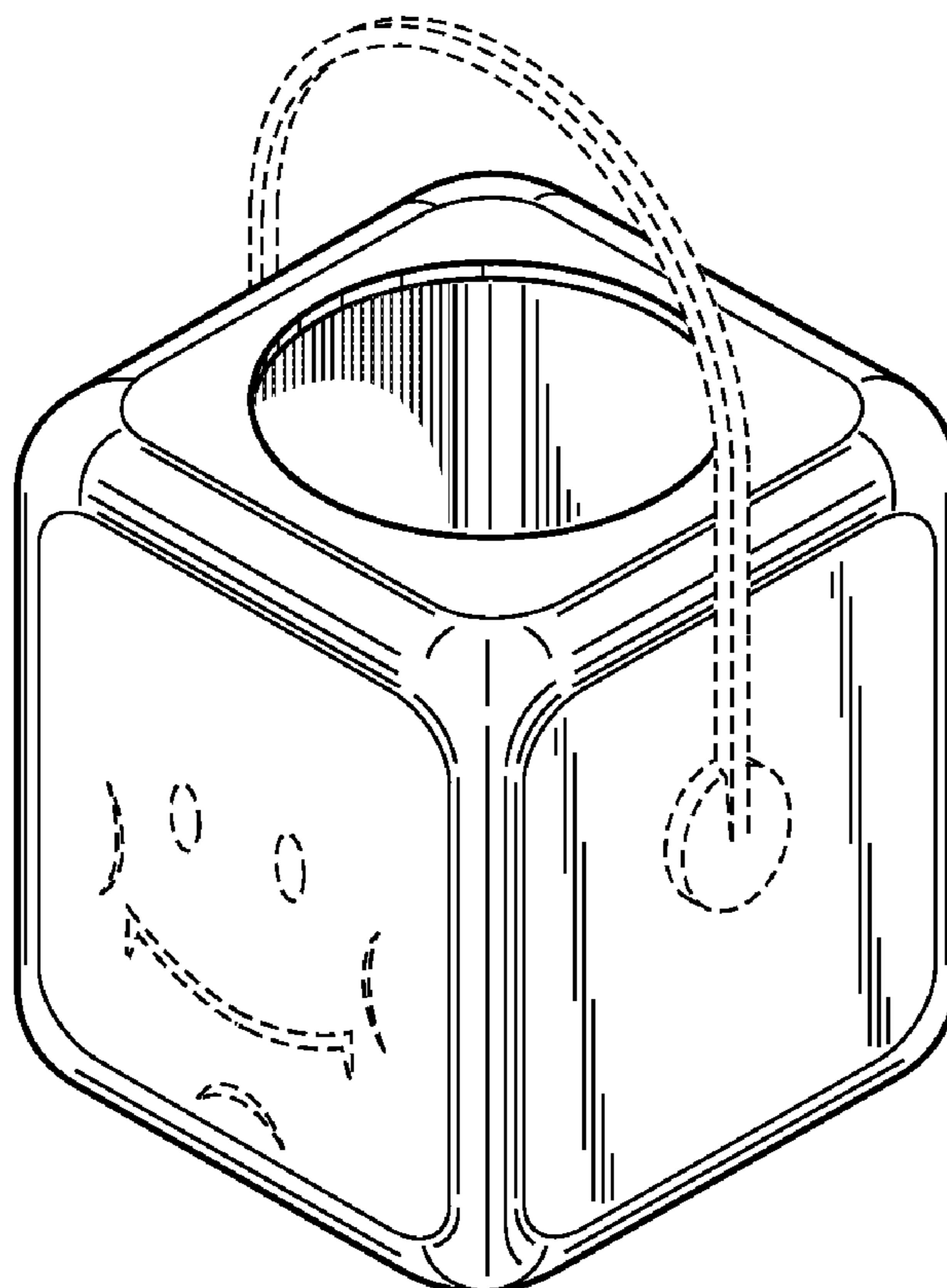


Fig. 1

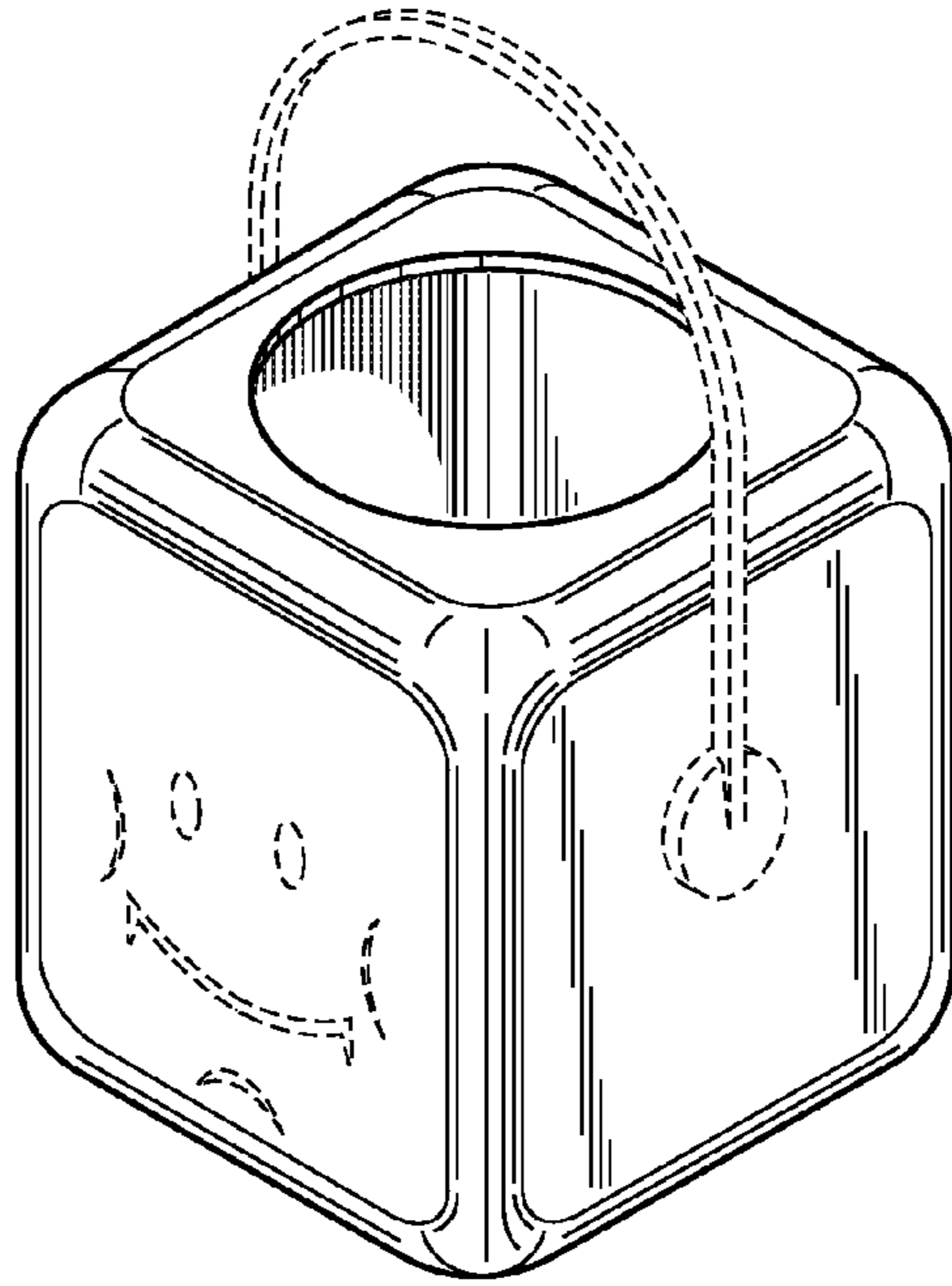


Fig. 2

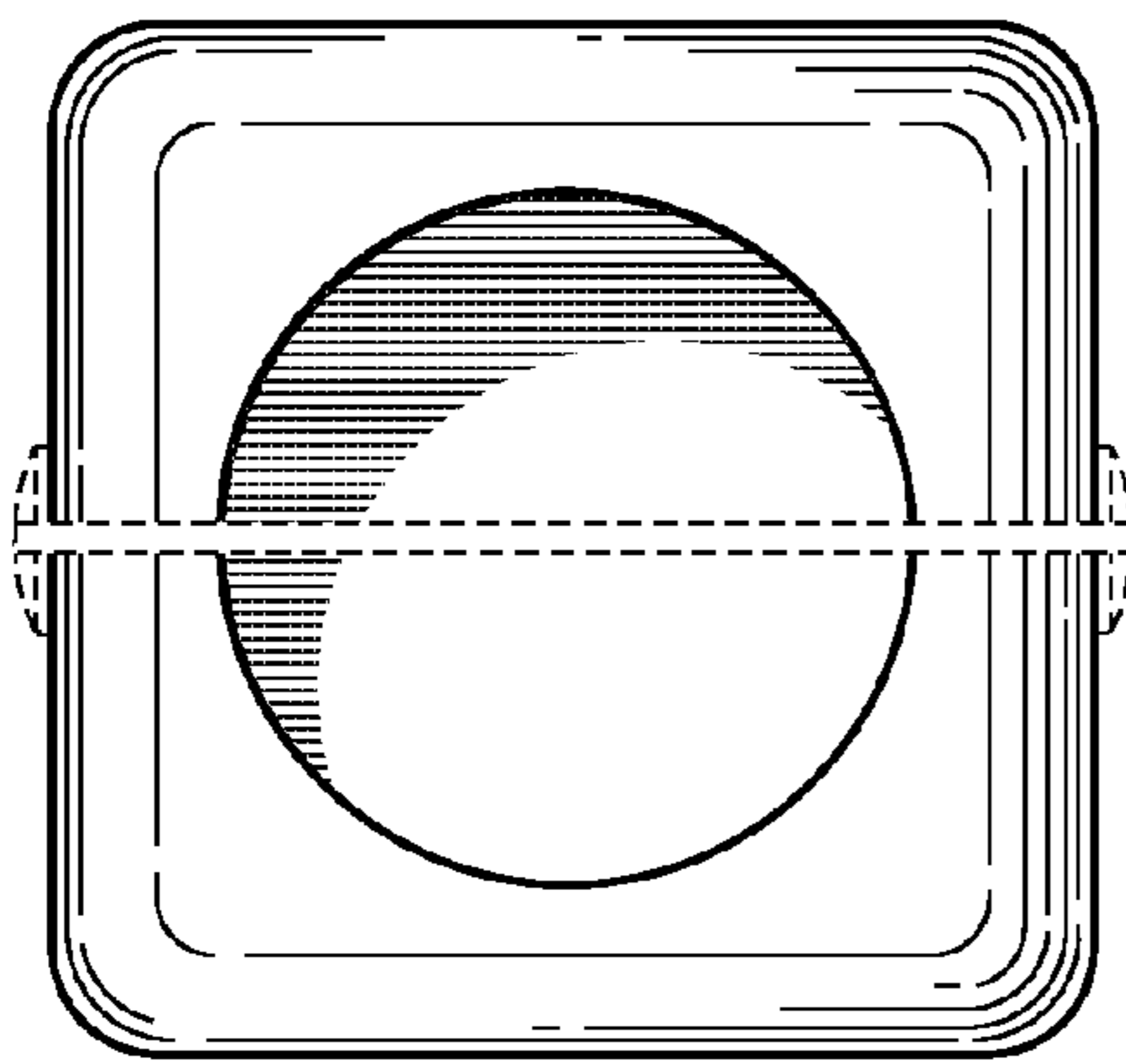
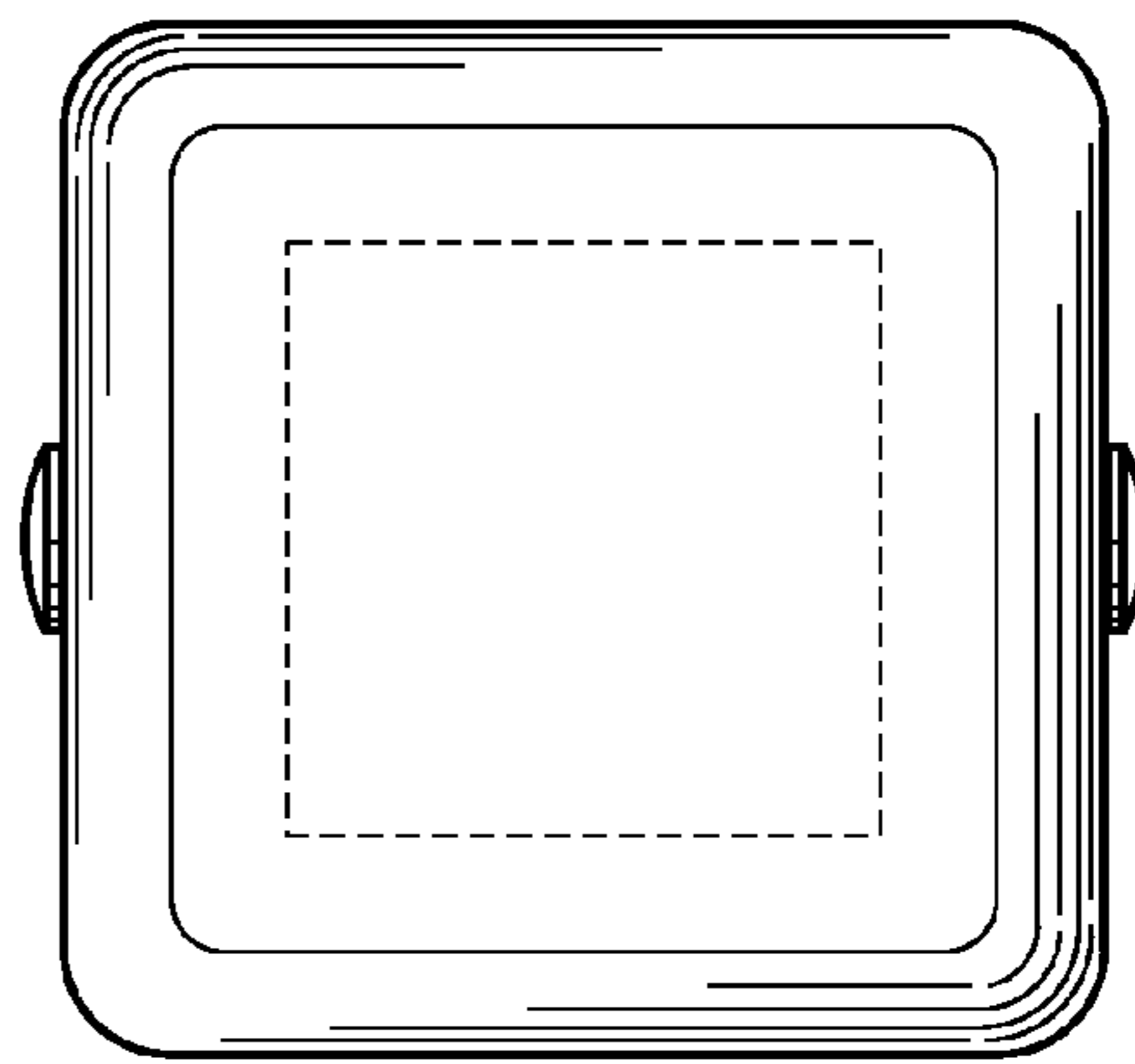
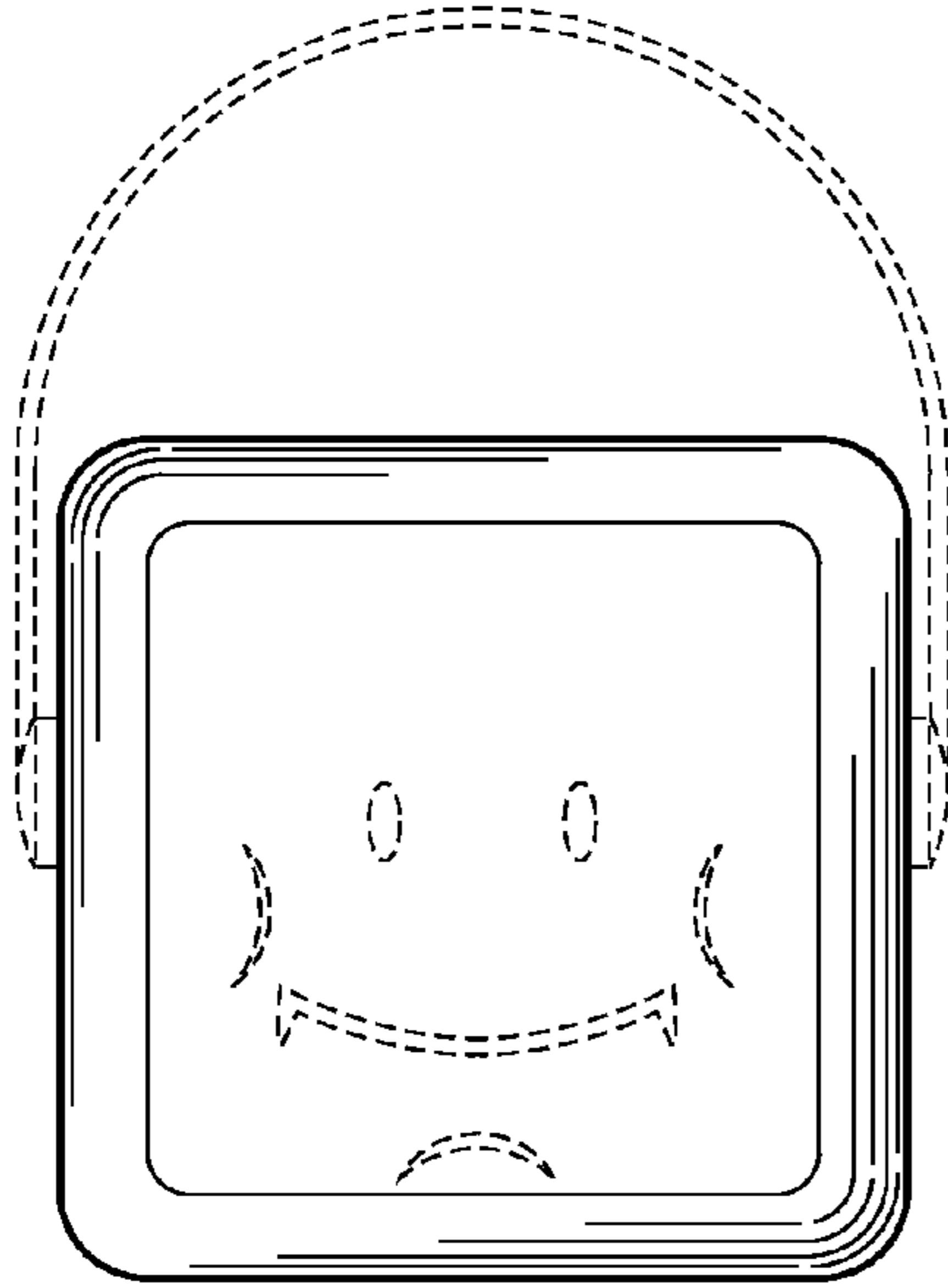


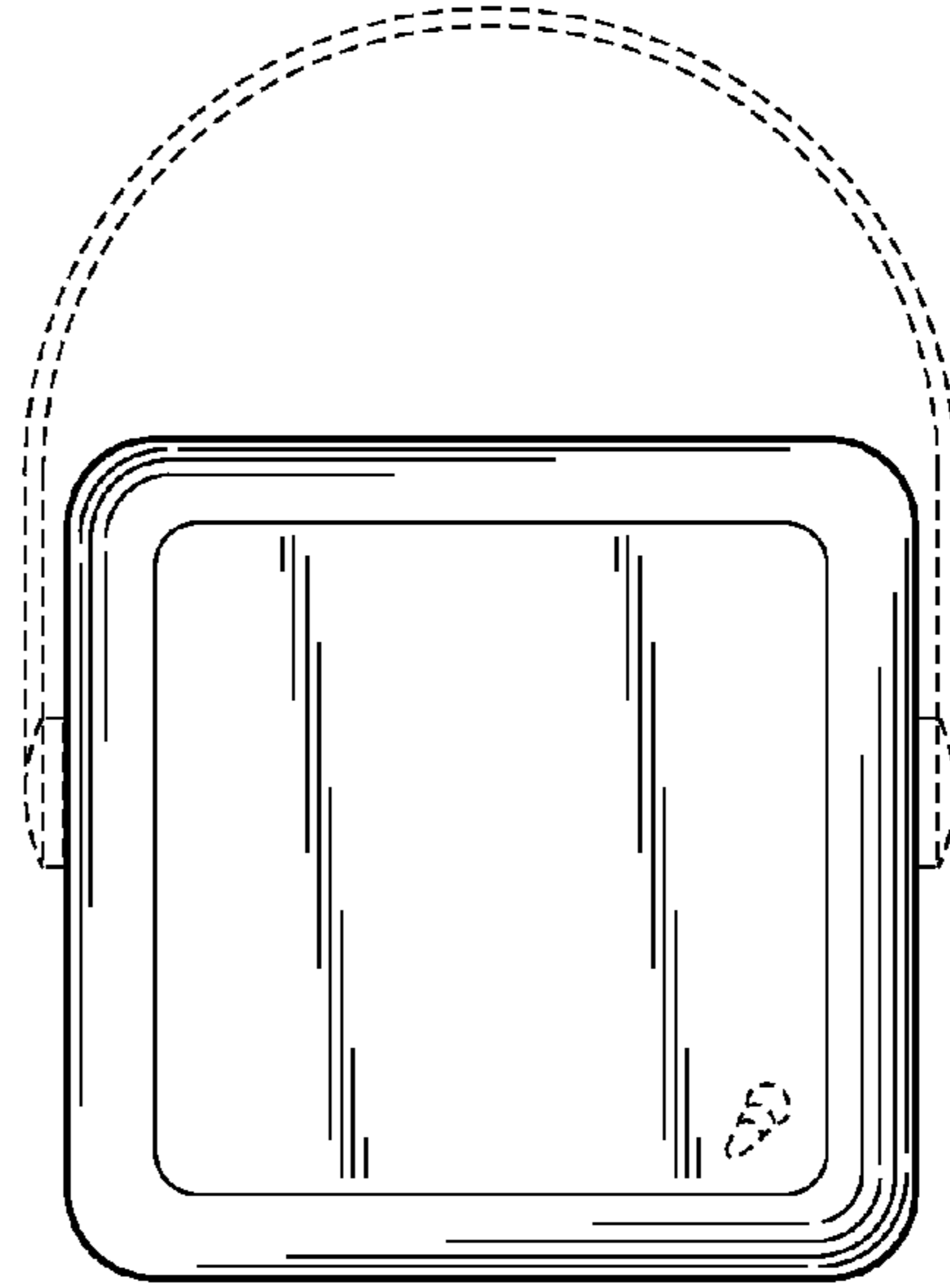
Fig. 3



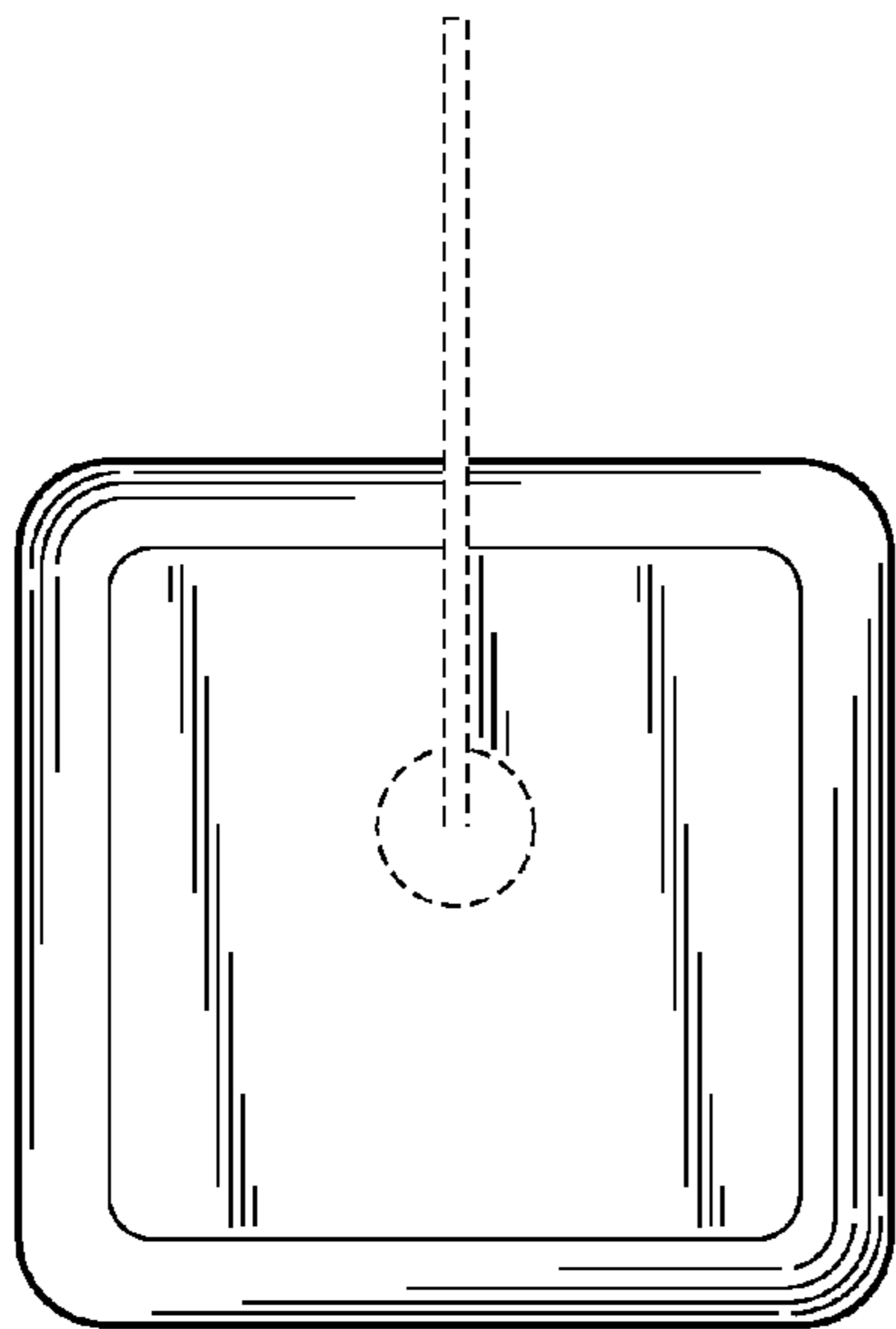
**Fig. 4**



**Fig. 5**



**Fig. 6**



**Fig. 7**

