



US00D682680S

(12) **United States Design Patent**
Terlesky et al.

(10) **Patent No.:** **US D682,680 S**

(45) **Date of Patent:** **** May 21, 2013**

(54) **BOX**
(76) Inventors: **Robert J. Terlesky**, Rogers, AR (US);
Debra K. Mabry, Clinton Township, MI (US)

(**) Term: **14 Years**

(21) Appl. No.: **29/416,852**

(22) Filed: **Mar. 27, 2012**

(51) **LOC (9) Cl.** **09-03**

(52) **U.S. Cl.**
USPC **D9/432**

(58) **Field of Classification Search** D9/414,
D9/416, 418, 420–424, 430–433; D3/272,
D3/273, 302; 206/267, 269, 270, 273, 299,
206/737, 740, 822; 229/100, 101, 101.3,
229/106, 108–122

See application file for complete search history.

(56) **References Cited**

U.S. PATENT DOCUMENTS

1,093,412	A *	4/1914	Hess	229/117.13
1,731,414	A	10/1929	Grossman		
2,850,224	A *	9/1958	Meinhardt et al.	229/120.21
3,211,359	A	10/1965	Fickes		
3,465,945	A *	9/1969	Reenberg	229/117.12
3,899,119	A *	8/1975	Roccaforte	206/562
D261,990	S	11/1981	Roccaforte		
4,836,383	A *	6/1989	Gordon et al.	229/232
D303,090	S	8/1989	Armor et al.		
D306,697	S	3/1990	Fonas		
4,957,237	A *	9/1990	Madonna et al.	229/120
5,049,710	A *	9/1991	Prosise et al.	219/730
D376,759	S *	12/1996	Bradfield	D9/432
D471,807	S	3/2003	Sisinni		
D484,047	S	12/2003	Hirschey		

6,752,311	B2	6/2004	Tulkoff		
D511,681	S *	11/2005	Cogley et al.	D9/416
D516,905	S *	3/2006	Cogley et al.	D9/416
D552,987	S	10/2007	Magnusson		
D553,979	S	10/2007	North		
7,464,855	B2 *	12/2008	Glasgow	229/120.13
D592,968	S	5/2009	Lee et al.		
D649,040	S	11/2011	Sanders		
D652,717	S	1/2012	Shimoyama et al.		

* cited by examiner

Primary Examiner — Susan Bennett Hattan

Assistant Examiner — Vy Koenig

(74) *Attorney, Agent, or Firm* — QuickPatents; Kevin Prince

(57) **CLAIM**

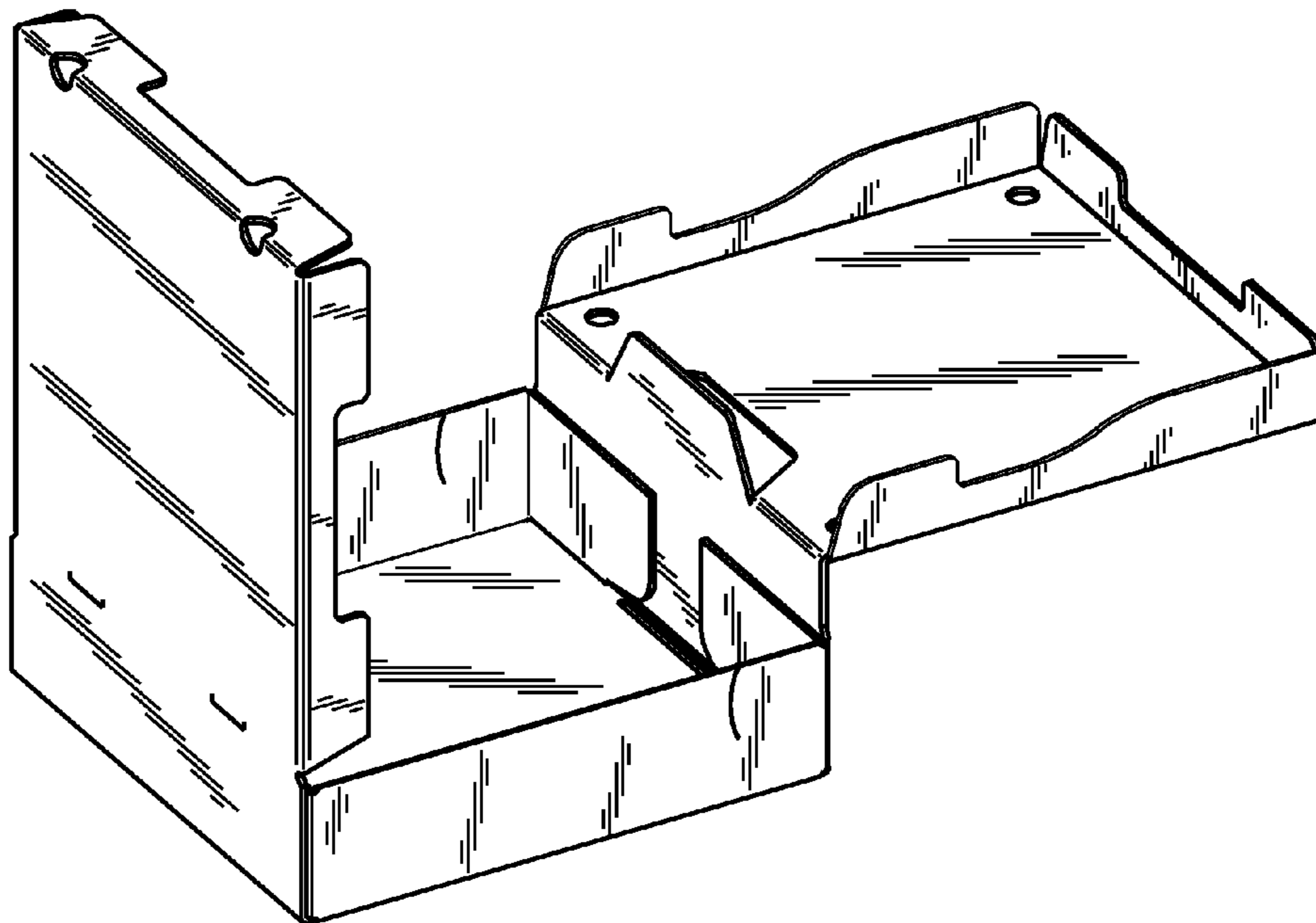
We claim the ornamental design for a box, as shown and described.

DESCRIPTION

FIG. 1 is a top plan view of a box, showing our new design in a flat configuration; FIG. 2 is a three-dimensional view thereof, illustrated in a partially folded configuration; FIG. 3 is a rear elevational view of FIG. 2; FIG. 4 is a front elevational view of FIG. 2; FIG. 5 is a right-side elevational view of FIG. 2, the left-side elevational view being a mirror image thereof; FIG. 6 is a top plan view of FIG. 2; FIG. 7 is a bottom plan view of FIG. 2; FIG. 8 is a three-dimensional view thereof, illustrated in a partially open configuration; and, FIG. 9 is a three-dimensional view thereof, illustrated in a closed configuration.

The broken lines shown in FIG. 1 depict fold lines and form part of the claimed design.

1 Claim, 3 Drawing Sheets



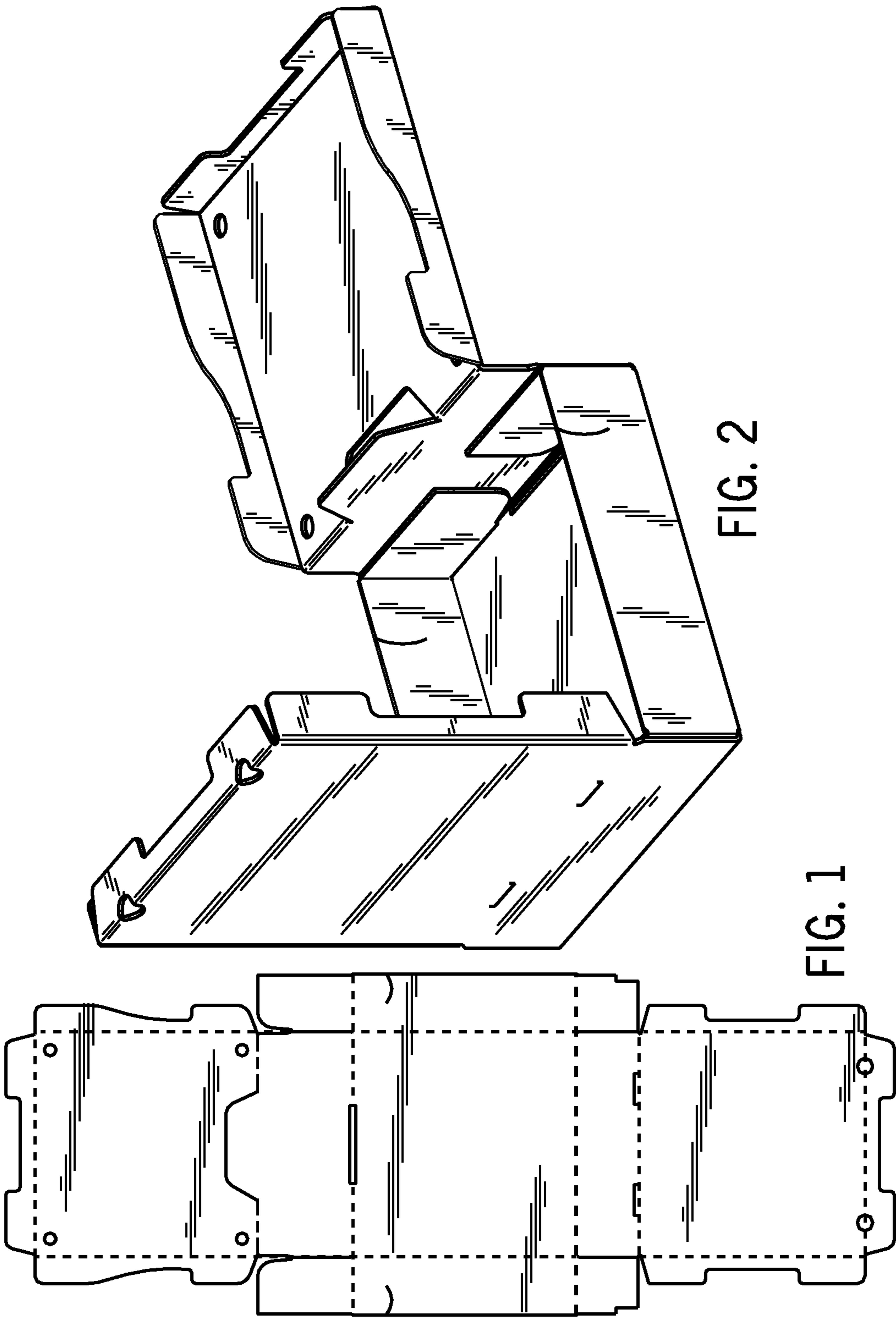


FIG. 2

FIG. 1

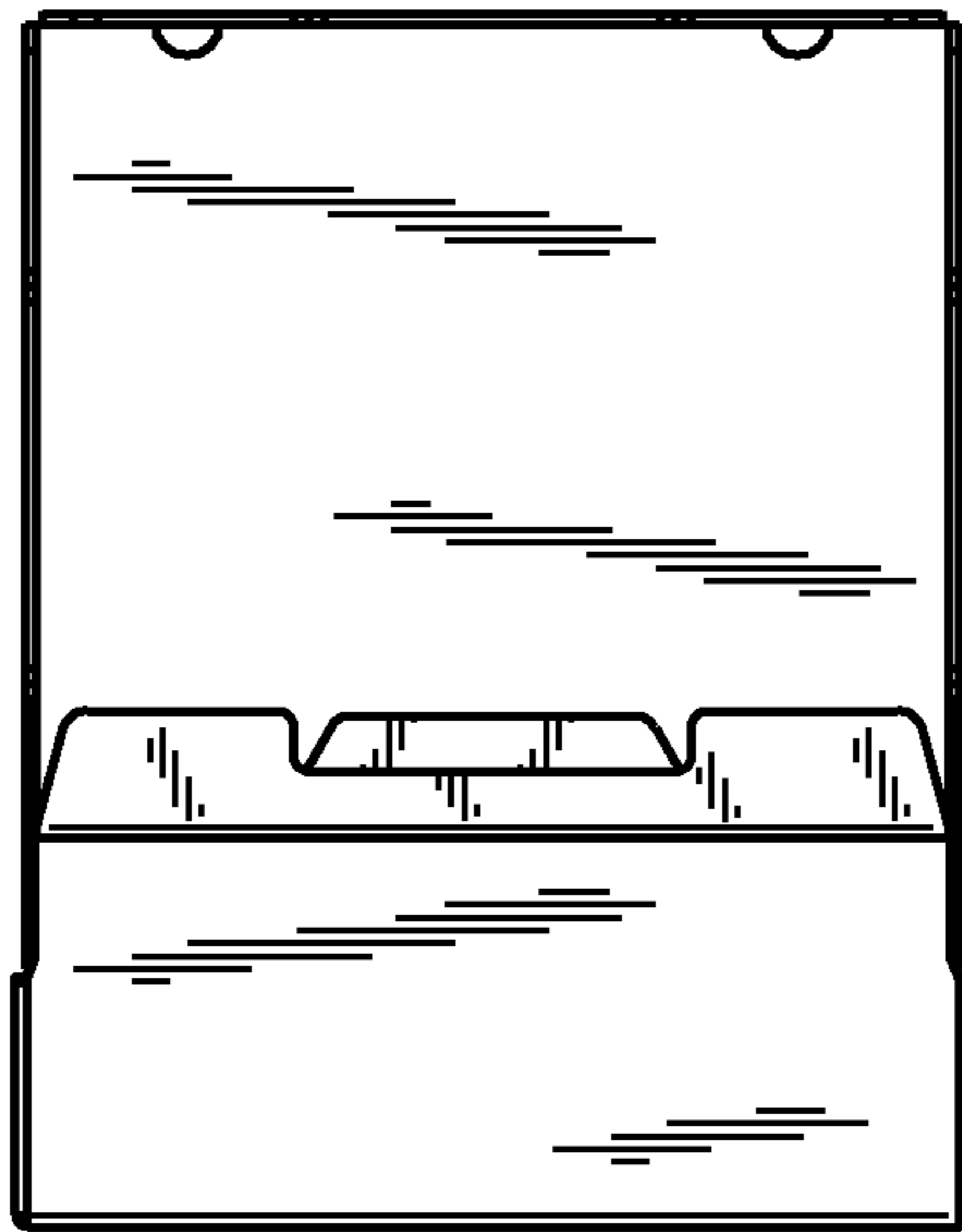


FIG. 3

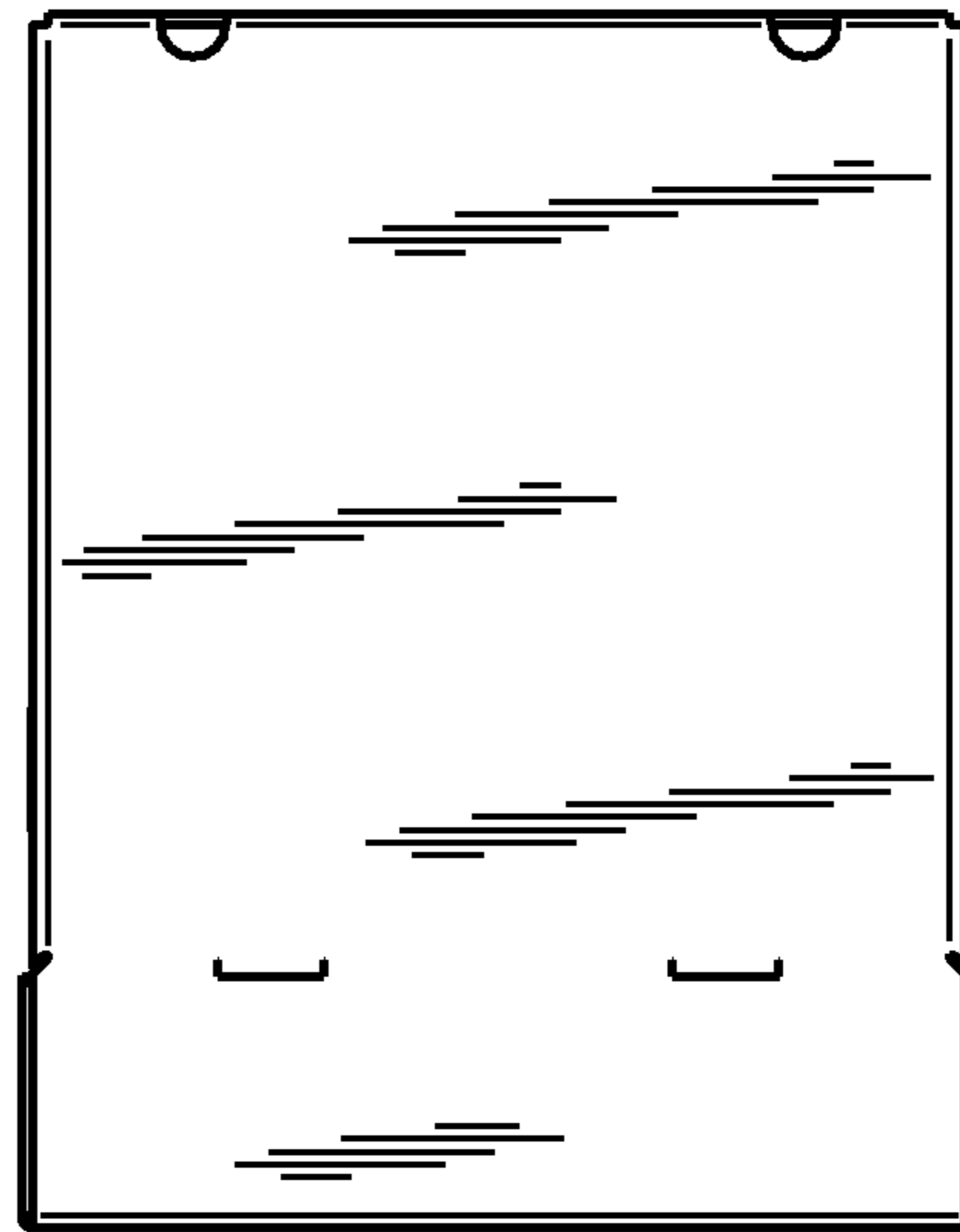


FIG. 4

FIG. 5

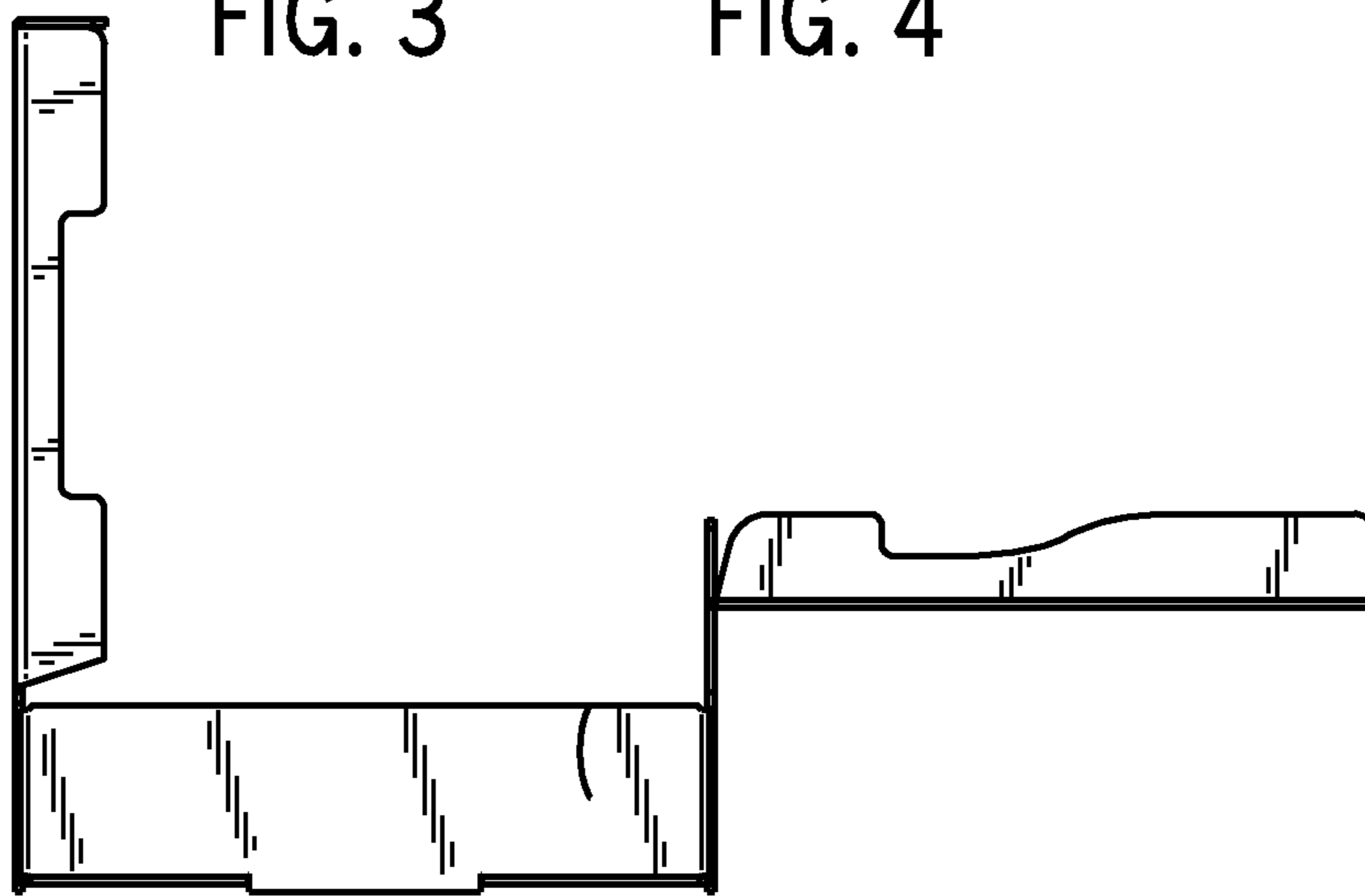
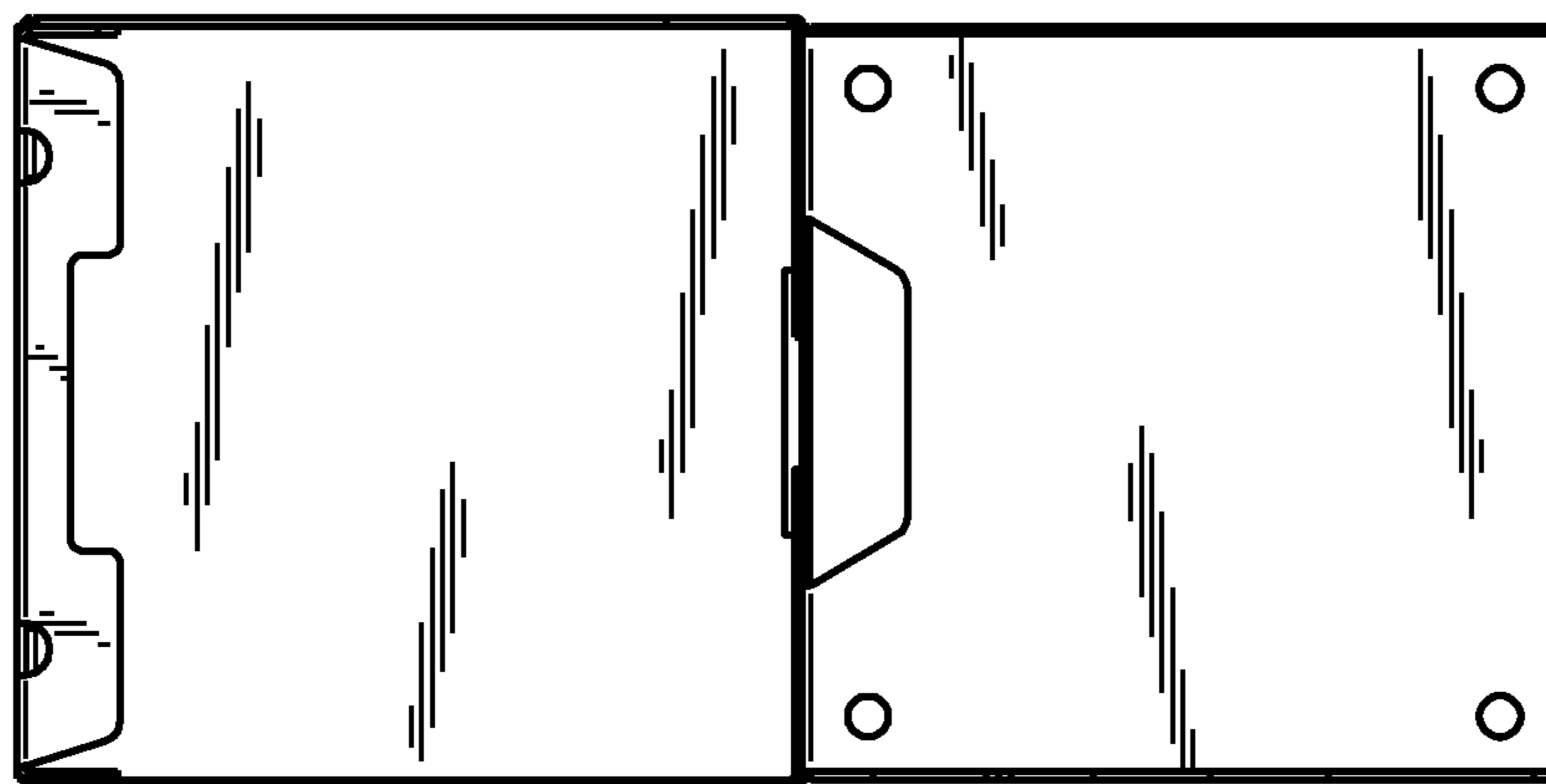


FIG. 6



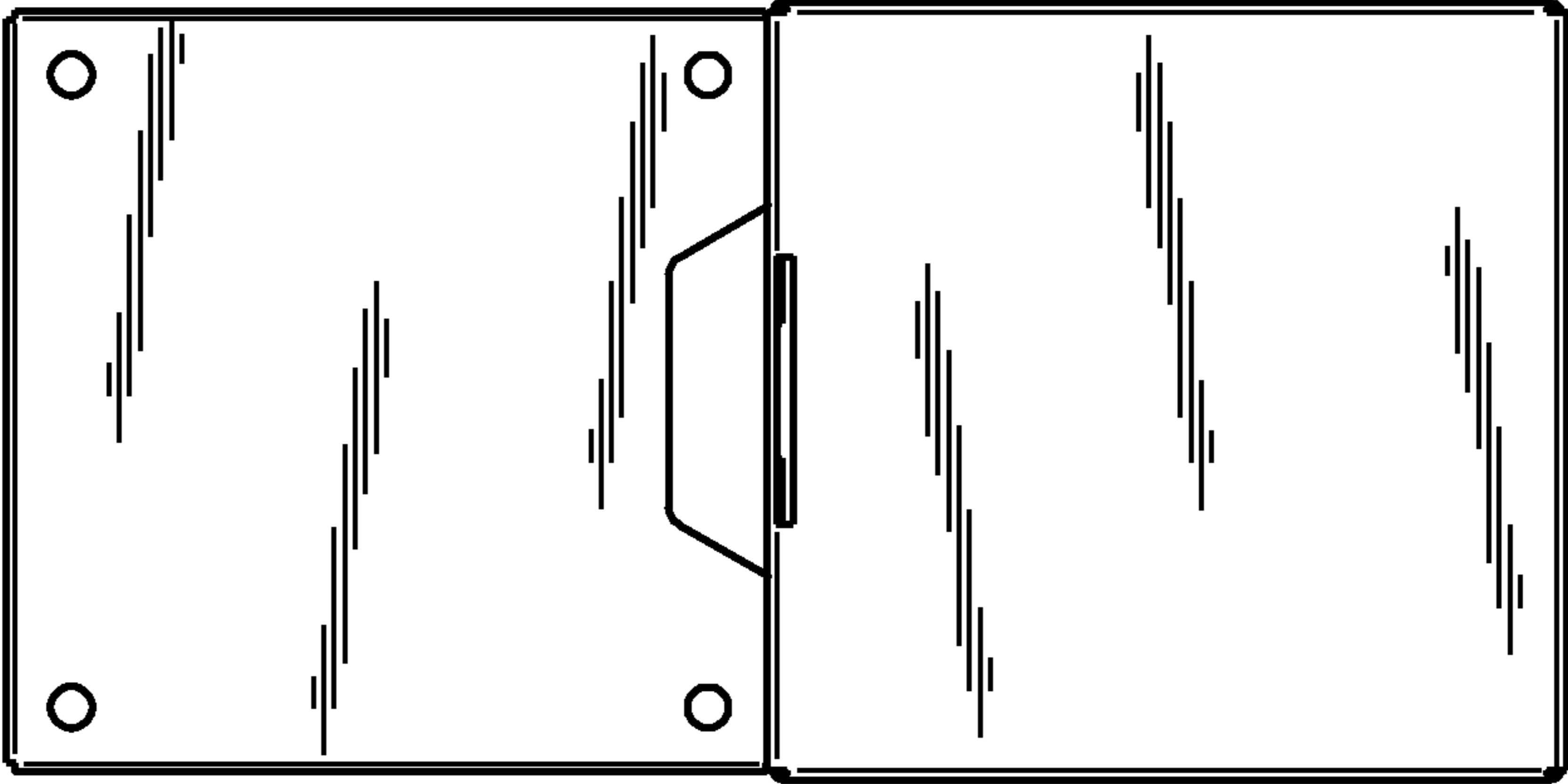


FIG. 7

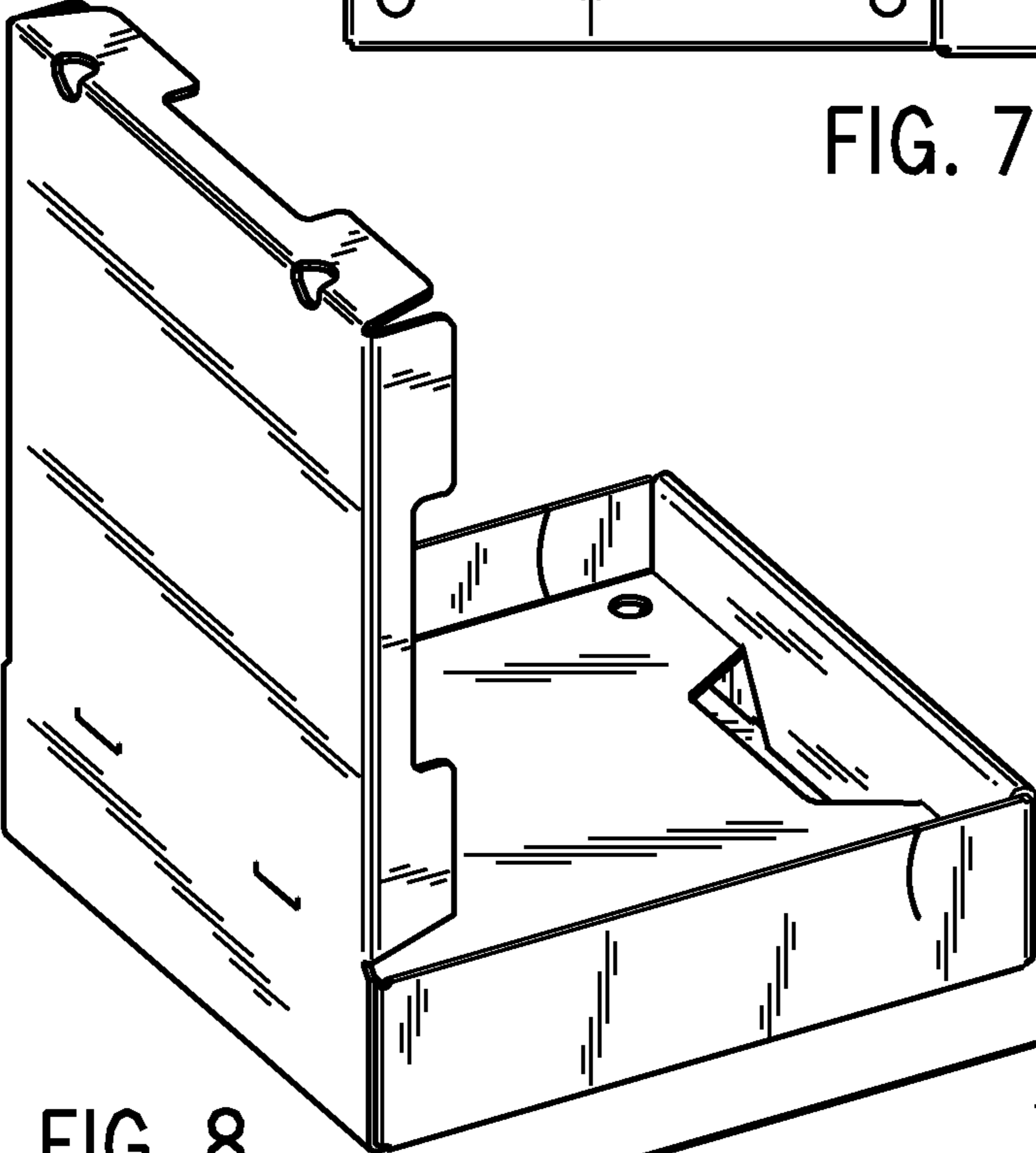


FIG. 8

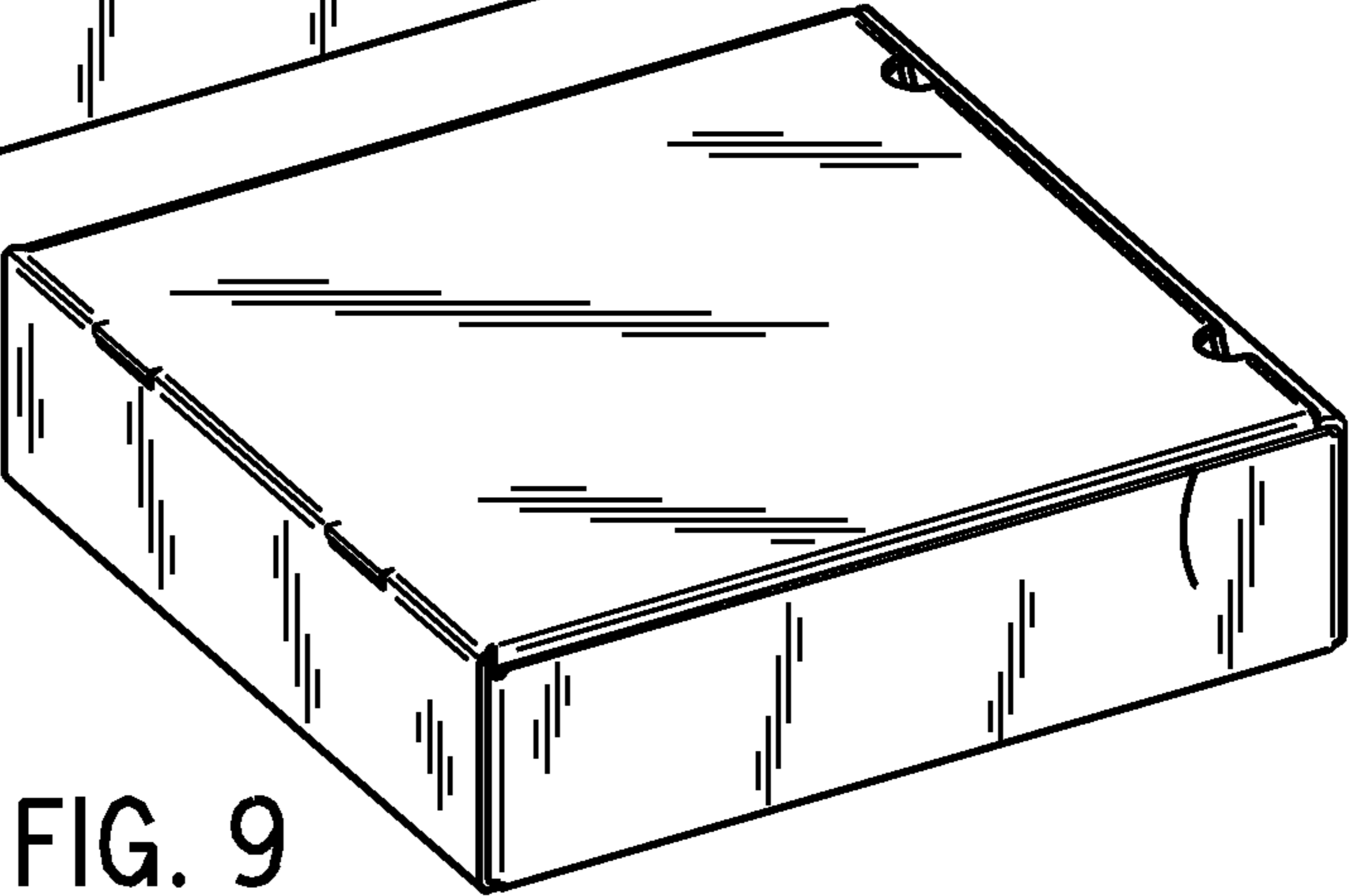


FIG. 9