



US00D682676S

(12) **United States Design Patent**
Wintmolders et al.

(10) **Patent No.:** **US D682,676 S**
(45) **Date of Patent:** **** May 21, 2013**

(54) **CONTAINER**

(75) Inventors: **Wim Wintmolders**, West Chester, OH (US); **David William Schuller**, Lebanon, OH (US); **Richard Lee Lane**, Columbus, OH (US); **Richard Christopher Hagee**, Cincinnati, OH (US)

(73) Assignee: **The Procter & Gamble Company**, Cincinnati, OH (US)

(**) Term: **14 Years**

(21) Appl. No.: **29/384,228**

(22) Filed: **Jan. 28, 2011**

(51) **LOC (9) Cl.** **09-03**

(52) **U.S. Cl.**
USPC **D9/431**

(58) **Field of Classification Search** D9/435,
D9/434, 432, 431, 430, 425, 424; D3/272,
D3/273, 302, 201; 206/267, 269, 270, 273,
206/299, 737, 740, 822; 229/100, 101, 101.3,
229/106, 108-112

See application file for complete search history.

(56) **References Cited**

U.S. PATENT DOCUMENTS

2,606,586	A *	8/1952	Hill	220/802
2,880,859	A *	4/1959	Tupper	220/257.2
3,986,479	A	10/1976	Bonk		
D496,560	S *	9/2004	Lerner	D7/629
D571,200	S *	6/2008	Bouveret et al.	D9/435
D584,612	S *	1/2009	Ianello	D9/435

D588,914	S *	3/2009	Laurieu-Tedeschi	D9/435
D600,111	S *	9/2009	Gerulski et al.	D9/424
D640,550	S *	6/2011	Snedden et al.	D9/431
D646,969	S *	10/2011	Snedden et al.	D9/431
D649,033	S *	11/2011	Epstein	D9/425
D655,577	S *	3/2012	Samartgis	D7/602
D655,578	S *	3/2012	Samartgis	D7/602
D669,778	S *	10/2012	Houlton et al.	D9/425

* cited by examiner

Primary Examiner — Susan Bennett Hattan

(74) *Attorney, Agent, or Firm* — Larry L. Huston; Steven W. Miller

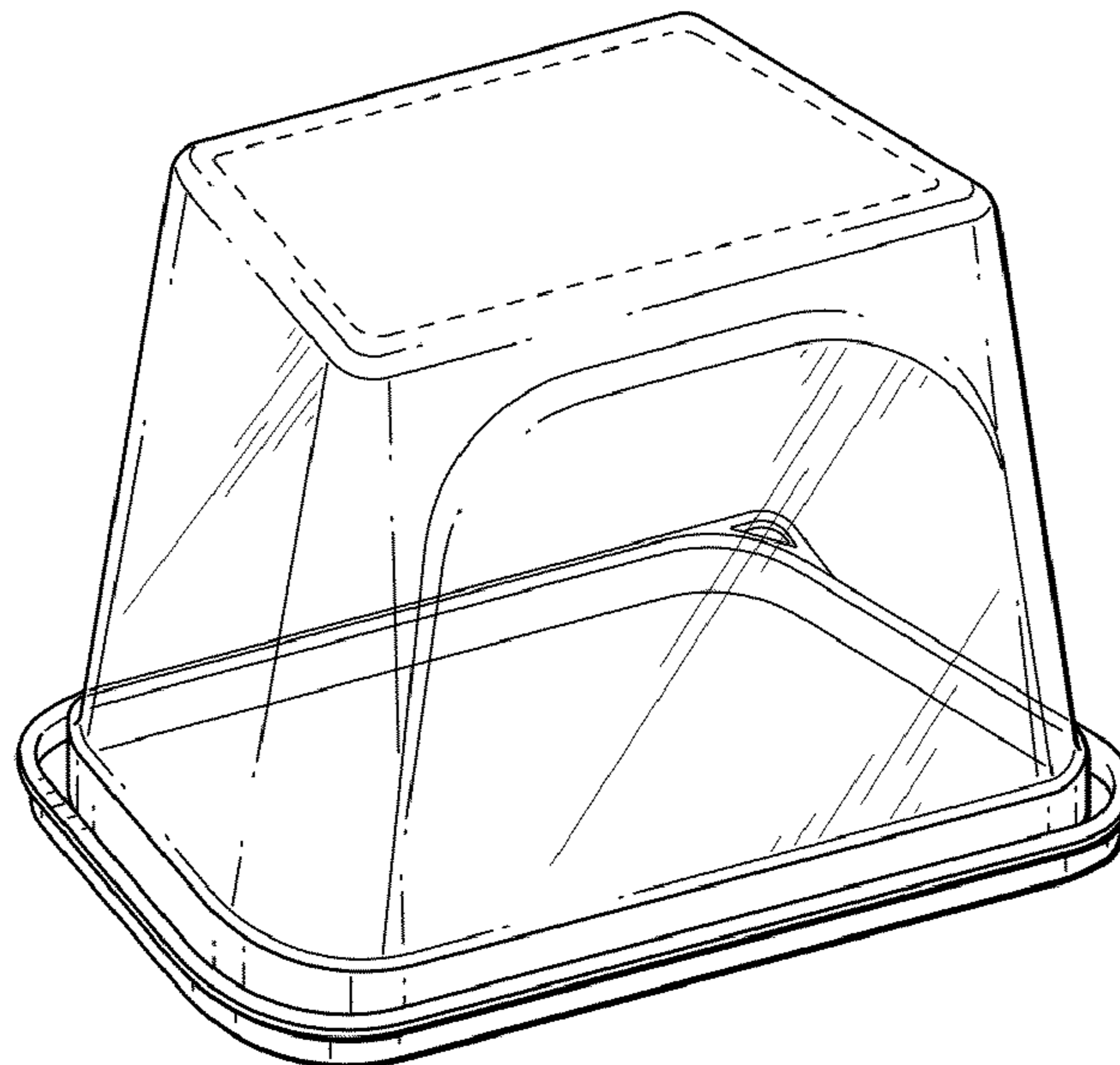
(57) **CLAIM**

The ornamental design for a container, as shown and described.

DESCRIPTION

FIG. 1 is perspective view of a container according to the present invention;
FIG. 2 is a front view of a container according to the present invention;
FIG. 3 is a rear view of a container according to the present invention;
FIG. 4 is a left side view of a container according to the present invention;
FIG. 5 is a right side view of a container according to the present invention;
FIG. 6 is a top view of a container according to the present invention; and,
FIG. 7 is a bottom view of a container according to the present invention.
The broken lines depict environment only and form no part of the claimed invention.

1 Claim, 2 Drawing Sheets



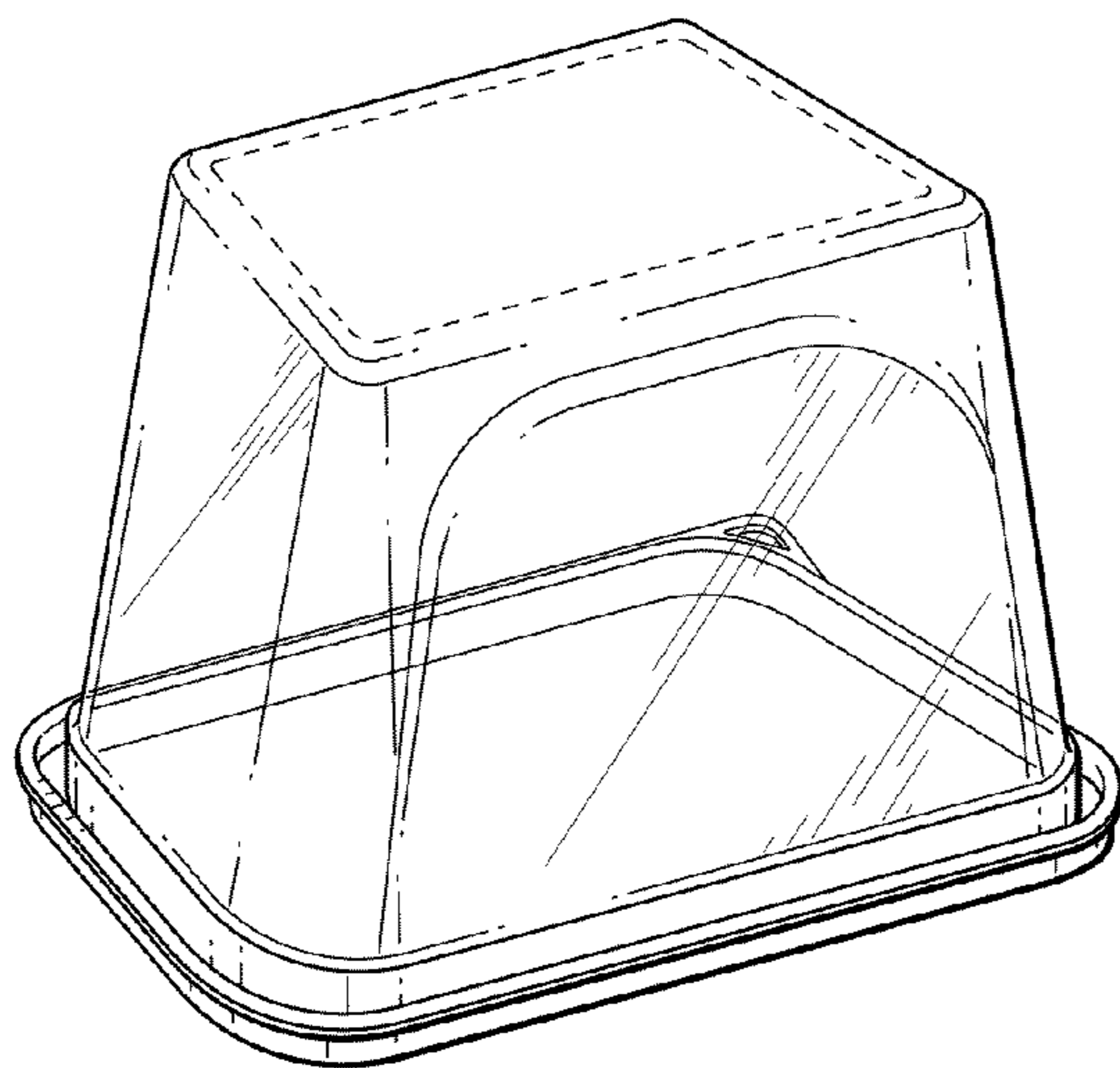


FIG. 1

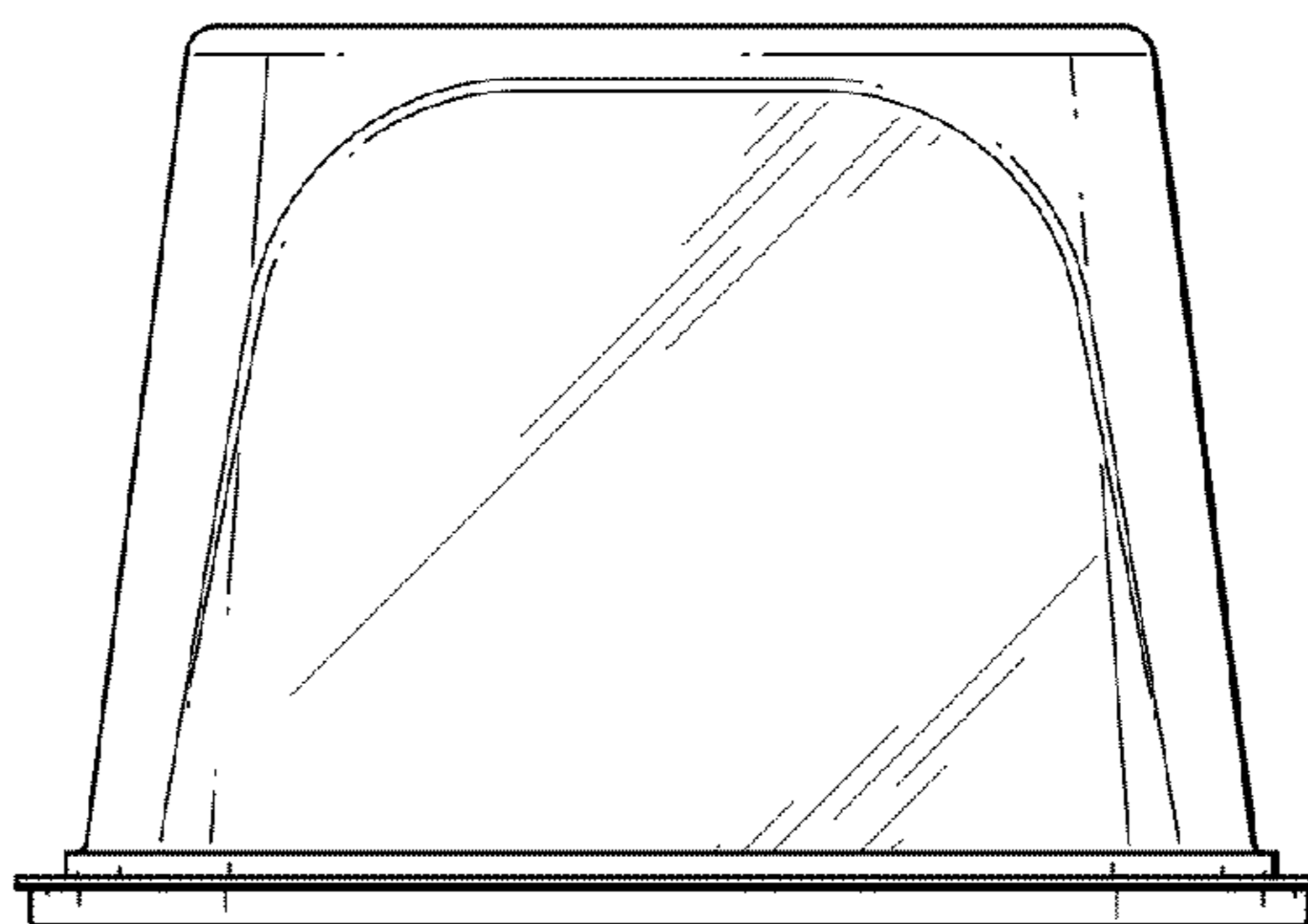


FIG. 2

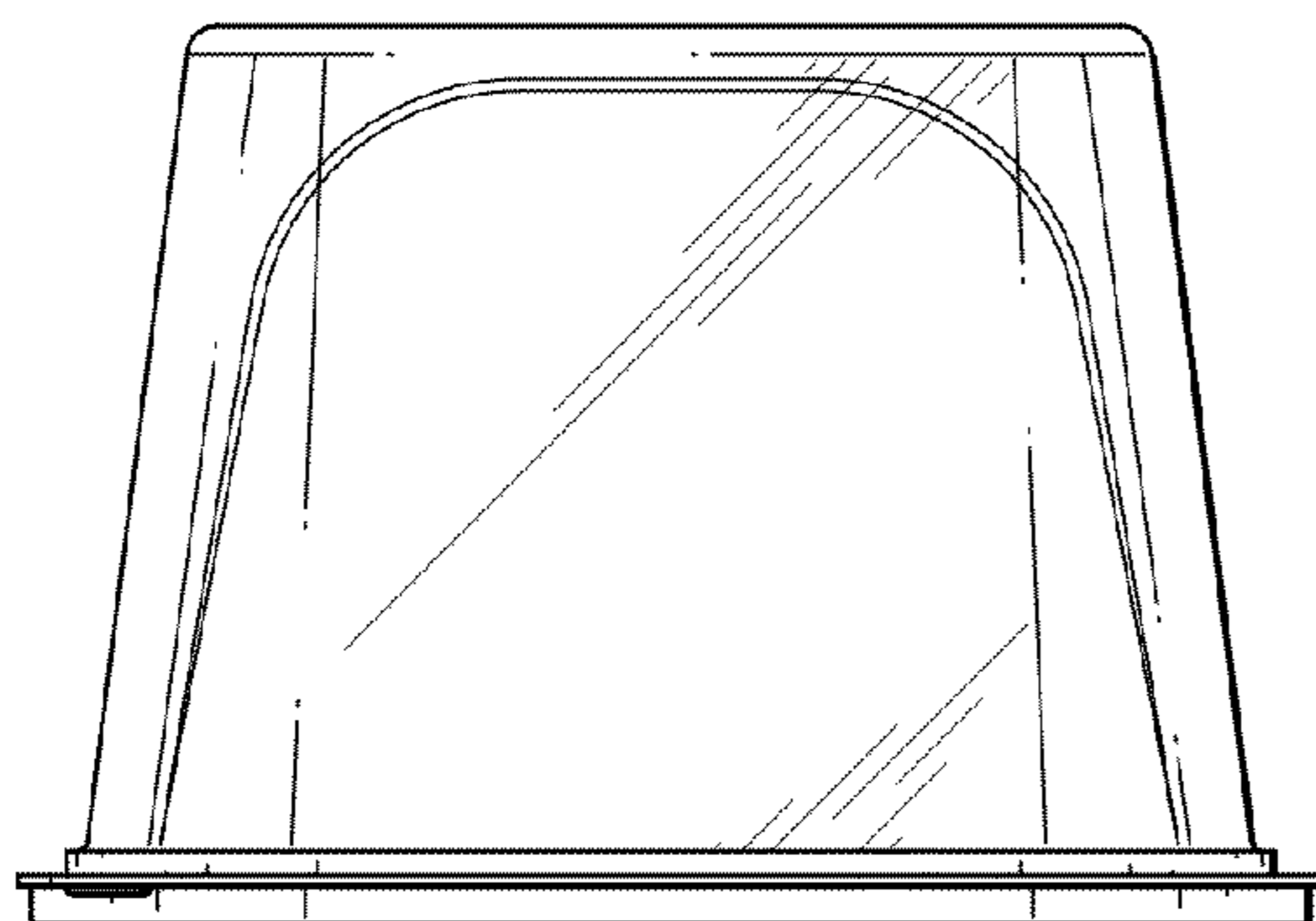


FIG. 3

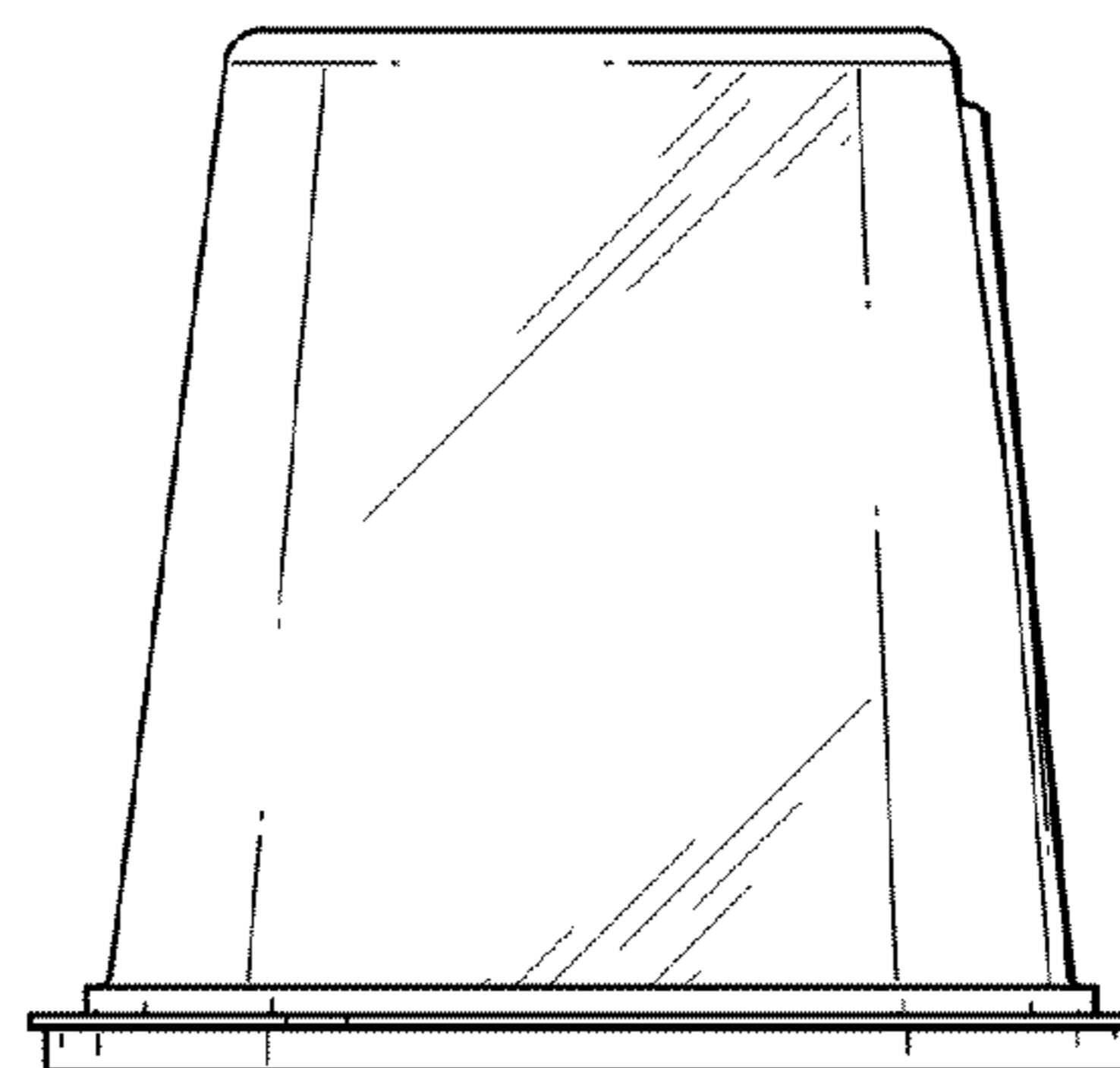


FIG. 4

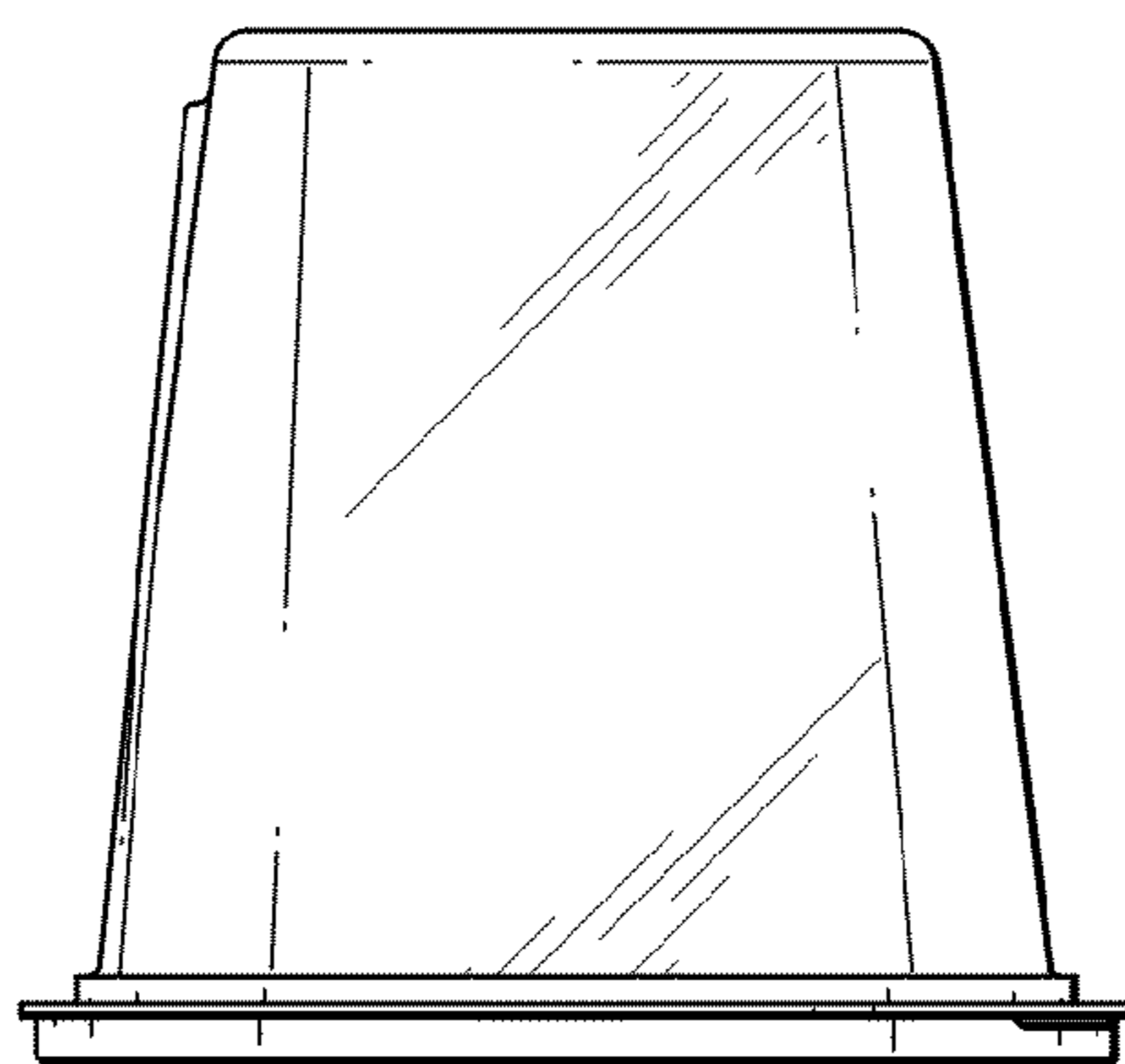


FIG. 5

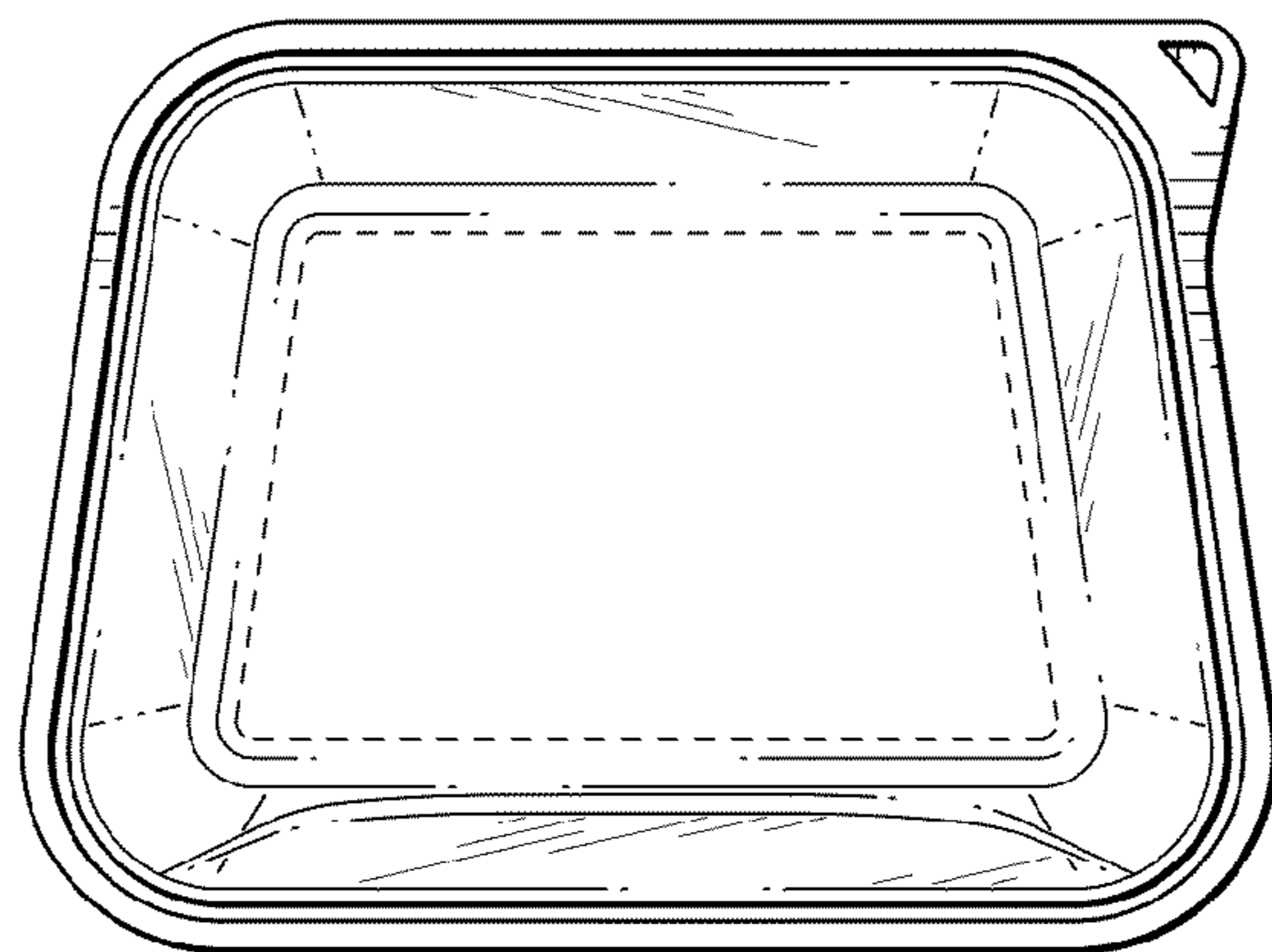


FIG. 6

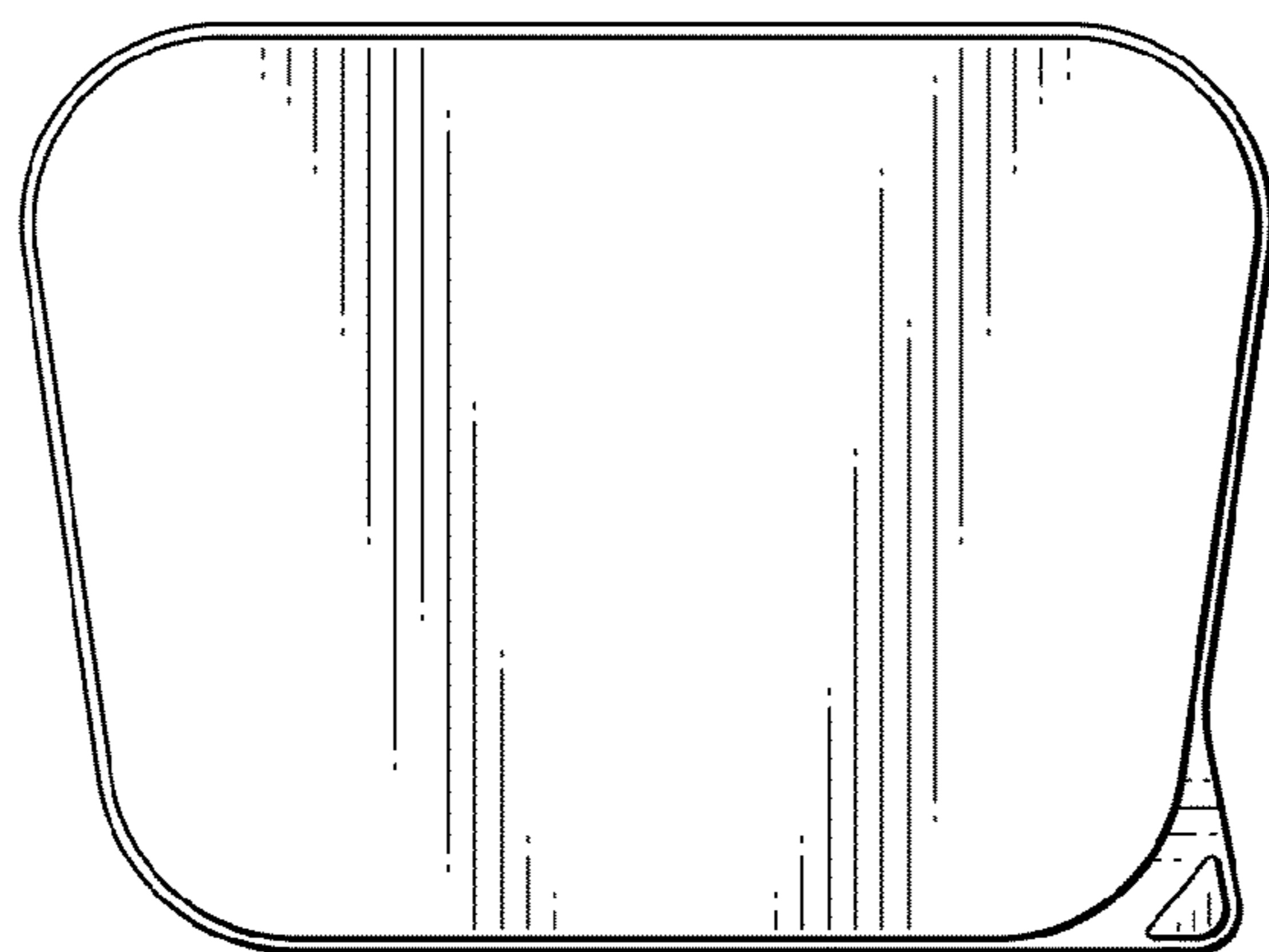


FIG. 7