



US00D682675S

(12) **United States Design Patent**
Rapparini

(10) **Patent No.:** **US D682,675 S**

(45) **Date of Patent:** **** May 21, 2013**

(54) **REINFORCED-RING CONTAINER FOR BEVERAGE-MAKING PRODUCTS**

D668,538 S * 10/2012 Knutson et al. D9/429
2007/0148290 A1 6/2007 Ternite et al.
2011/0111098 A1* 5/2011 Ricotti 426/89

(76) Inventor: **Gino Rapparini**, Bologna (IT)

FOREIGN PATENT DOCUMENTS

(**) Term: **14 Years**

CA 2734843 2/2010
EP 0524464 1/1993
EP 1792850 6/2007
FR 1543608 10/1968

(21) Appl. No.: **29/419,556**

(22) Filed: **Apr. 30, 2012**

OTHER PUBLICATIONS

Related U.S. Application Data

International Search Report for PCT/IB2011/001273, date of mailing Oct. 21, 2011, 2 pgs.
International Search Report for PCT/IB2011/001278, date of mailing Oct. 20, 2011, 2 pgs.

(63) Continuation-in-part of application No. 13/066,133, filed on Apr. 7, 2011.

(51) **LOC (9) Cl.** **09-03**

* cited by examiner

(52) **U.S. Cl.**
USPC **D9/429**

Primary Examiner — Thomas Johannes

(58) **Field of Classification Search** D9/414,
D9/418, 424, 425, 428, 429, 500; D7/619,
D7/629; 229/400–406, 932, 906.1; 220/656–659,
220/669–675, 912, 4.21–4.27; 206/553,
206/557, 541, 775, 776

(74) *Attorney, Agent, or Firm* — Brinks Hofer Gilson & Lione

See application file for complete search history.

(57) **CLAIM**

I claim the ornamental design for a reinforced-ring container for beverage making-products, as shown and described.

(56) **References Cited**

DESCRIPTION

U.S. PATENT DOCUMENTS

D260,243 S * 8/1981 Dogliotti D7/531
D306,974 S * 4/1990 Tholstrup D9/424
D438,794 S * 3/2001 Miles et al. D9/429
D445,677 S * 7/2001 Lindsay et al. D9/429
D452,433 S * 12/2001 Lazaris D9/429
6,648,163 B2 * 11/2003 Porter et al. 220/359.2
D502,362 S 3/2005 Lazaris et al.
D587,995 S * 3/2009 Studee D9/424
D605,502 S * 12/2009 Honda et al. D9/429
D627,636 S * 11/2010 Fang D9/429
D628,883 S * 12/2010 Stephens D9/429
D637,484 S * 5/2011 Winkler D9/429
D644,924 S * 9/2011 Lin D9/429

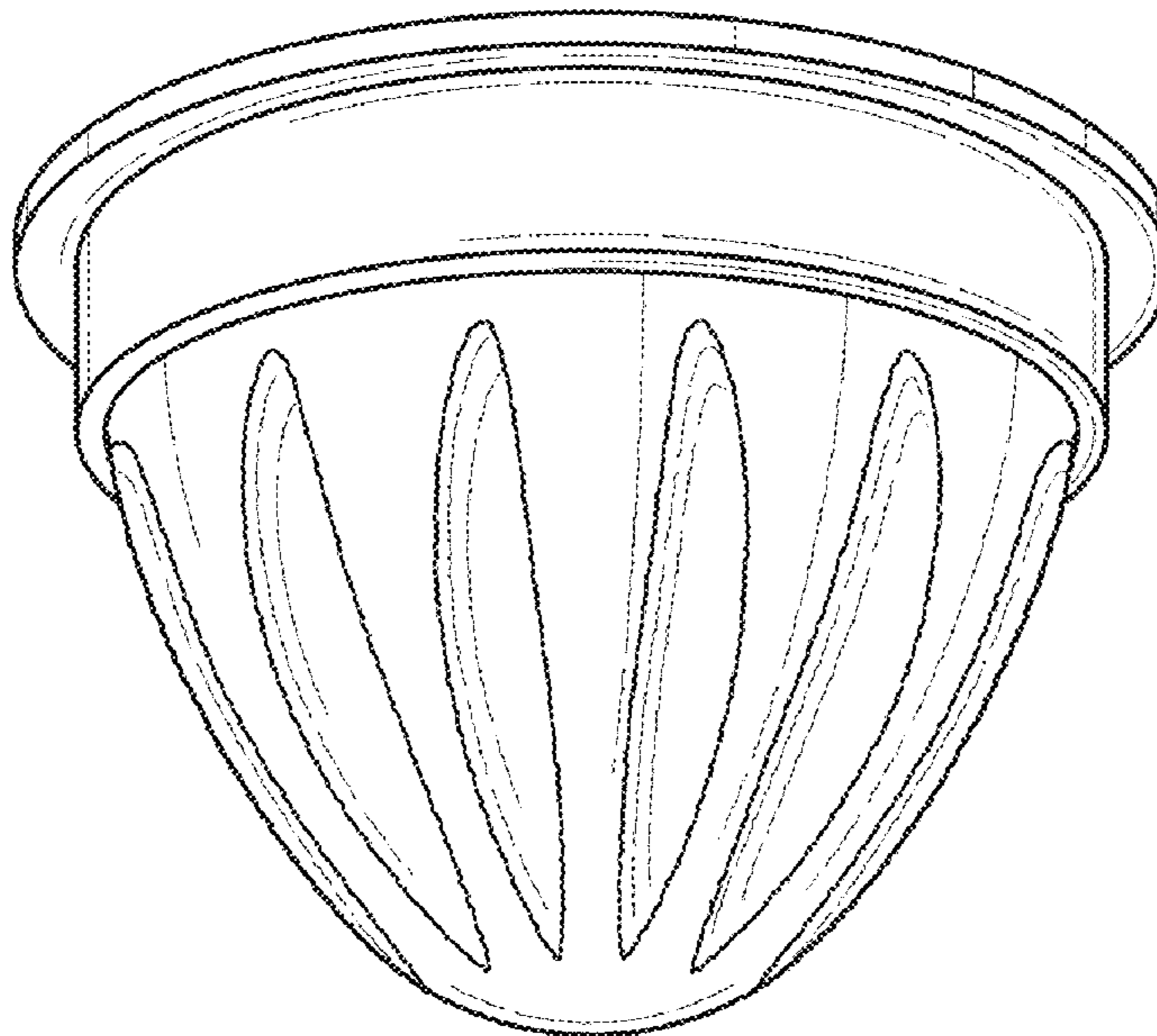
FIG. 1 is a bottom perspective view of a reinforced-ring container for beverage making-products of the present invention;

FIG. 2 is a side elevation view thereof, with the opposite side being a mirror image thereto; and,

FIG. 3 is a bottom plan view thereof.

The top is not shown, as it forms no part of the claimed design. The oblong shapes along the sides of the design are intended to convey the tapering, soft-conical shape of the soft-fabric region below the ring, and do not claim specific regular hard shapes.

1 Claim, 1 Drawing Sheet



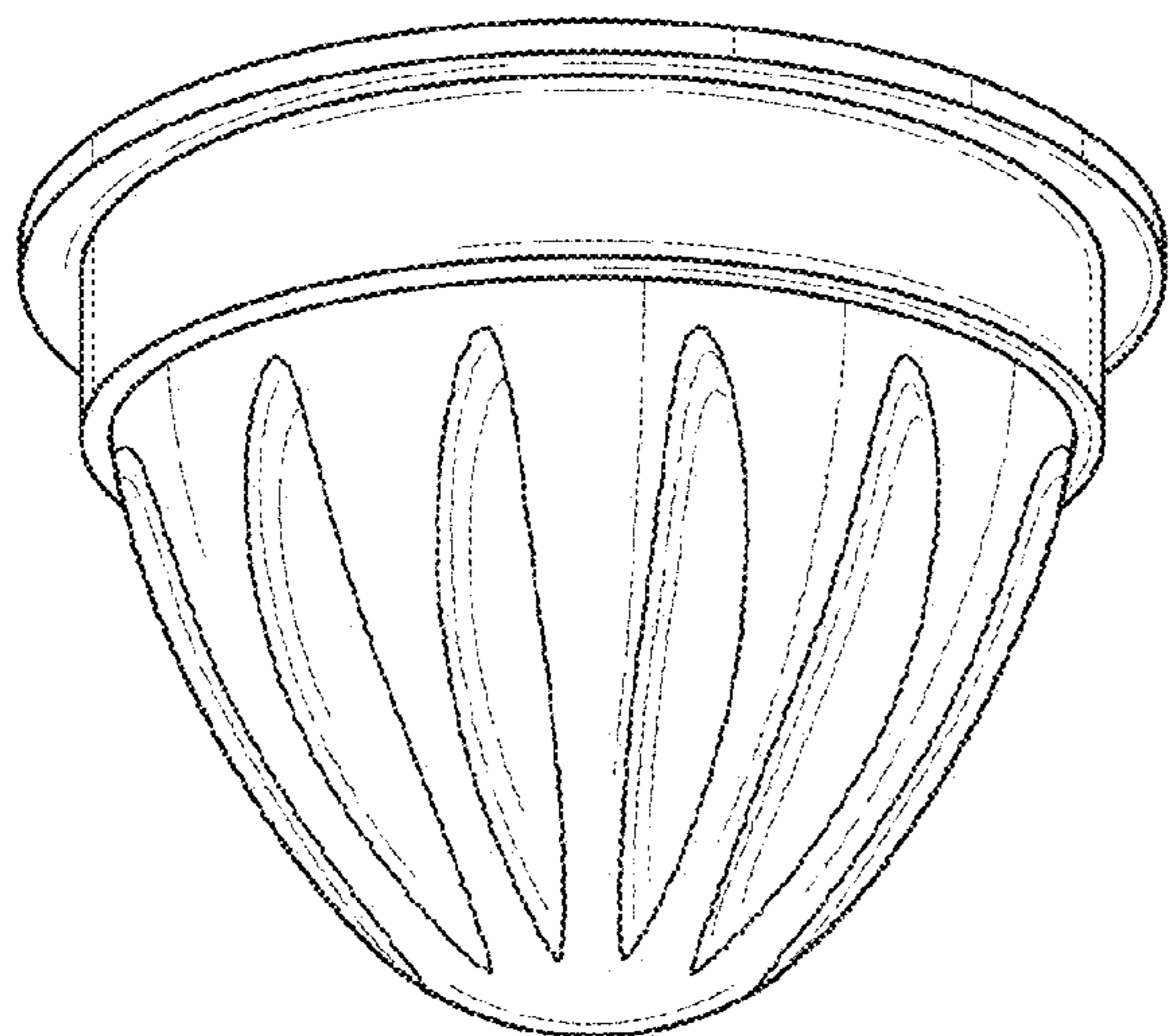


FIG. 1

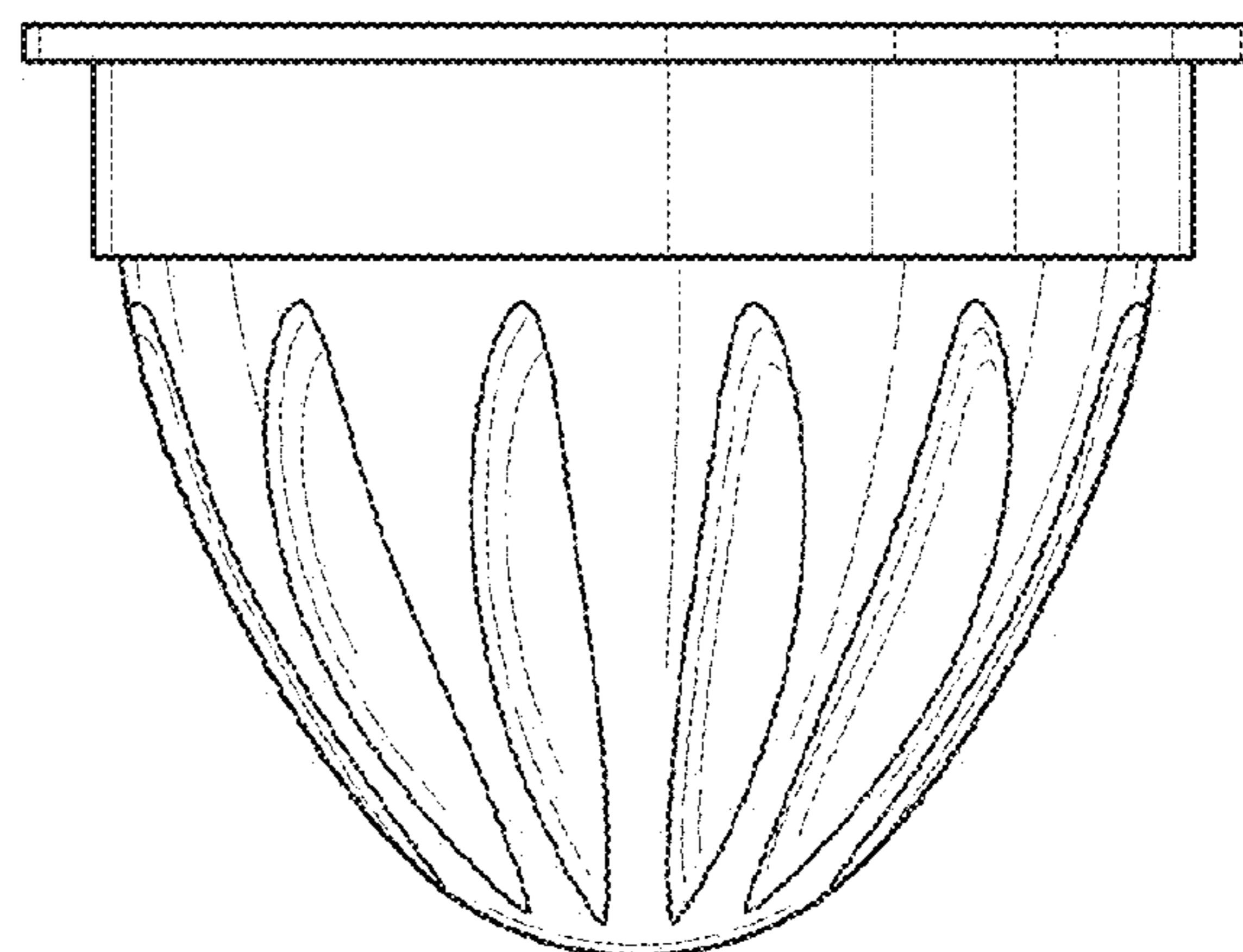


FIG. 2

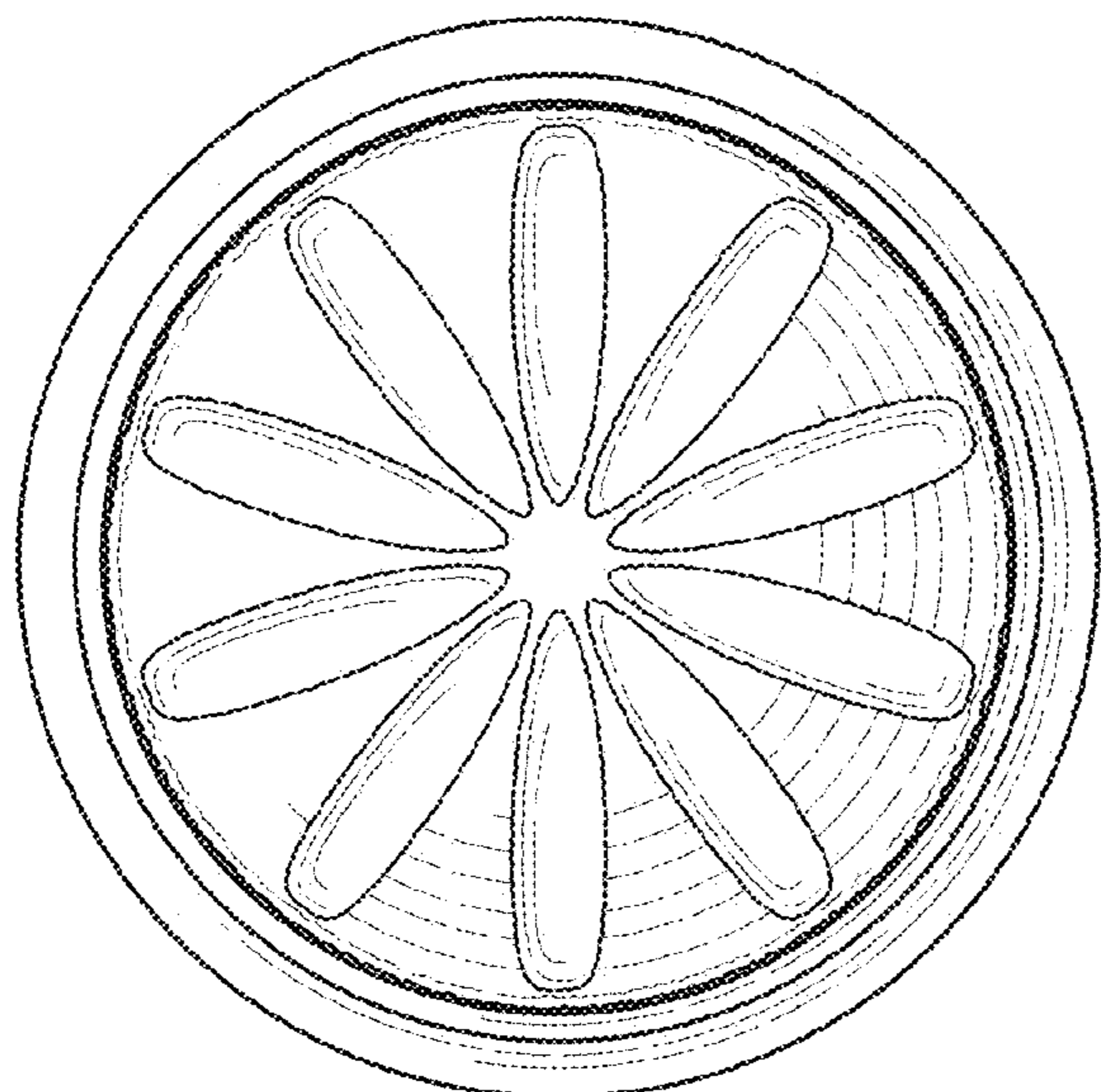


FIG. 3