



US00D682672S

(12) **United States Design Patent**
Birgers et al.

(10) **Patent No.:** **US D682,672 S**

(45) **Date of Patent:** **** May 21, 2013**

(54) **DISPLAY APPARATUS**

(75) Inventors: **Christopher J. Birgers**, Cupertino, CA (US); **Michael Joseph Solomon**, Foster City, CA (US)

(73) Assignee: **Apple Inc.**, Cupertino, CA (US)

(**) Term: **14 Years**

(21) Appl. No.: **29/432,101**

(22) Filed: **Sep. 13, 2012**

Related U.S. Application Data

(62) Division of application No. 29/379,534, filed on Nov. 19, 2010, now Pat. No. Des. 670,161.

(51) **LOC (9) Cl.** **09-03**

(52) **U.S. Cl.**
USPC **D9/415**

(58) **Field of Classification Search** D9/414-435,
D9/600-681, 715, 721, 722, 457, 499; 206/461-471,
206/235, 581, 385, 806, 822, 823, 486, 490,
206/775, 779, 769, 531, 532, 521.8; 229/100,
229/102.5, 107, 108, 111, 112, 115, 116,
229/116.1, 117.09, 117.12, 117.18, 117.23,
229/117.24, 182.1, 922

See application file for complete search history.

(56) **References Cited**

U.S. PATENT DOCUMENTS

3,414,159	A	12/1968	Murr
3,483,964	A	12/1969	Muehling et al.
D268,331	S	3/1983	Kay et al.
4,570,818	A	2/1986	Borst et al.
4,750,619	A	6/1988	Cohen et al.

4,896,771	A	1/1990	Edwards
D336,018	S	6/1993	Smith et al.
5,297,679	A	3/1994	Rondone et al.
D393,799	S	4/1998	Pope et al.
6,830,149	B2	12/2004	Merboth et al.
7,475,780	B2	1/2009	Hinze et al.
D632,955	S	2/2011	Smith, III et al.
D659,530	S	5/2012	Akana et al.
2002/0189964	A1	12/2002	Mazurek
2012/0125810	A1	5/2012	Birgers et al.

FOREIGN PATENT DOCUMENTS

JP	D1136196	3/2002
JP	D1136197	3/2002
KR	30-0319917	3/2003
TW	D115893	3/2007

Primary Examiner — Catherine Tuttle

(74) *Attorney, Agent, or Firm* — Sterne Kessler Goldstein & Fox P.L.L.C.

(57) **CLAIM**

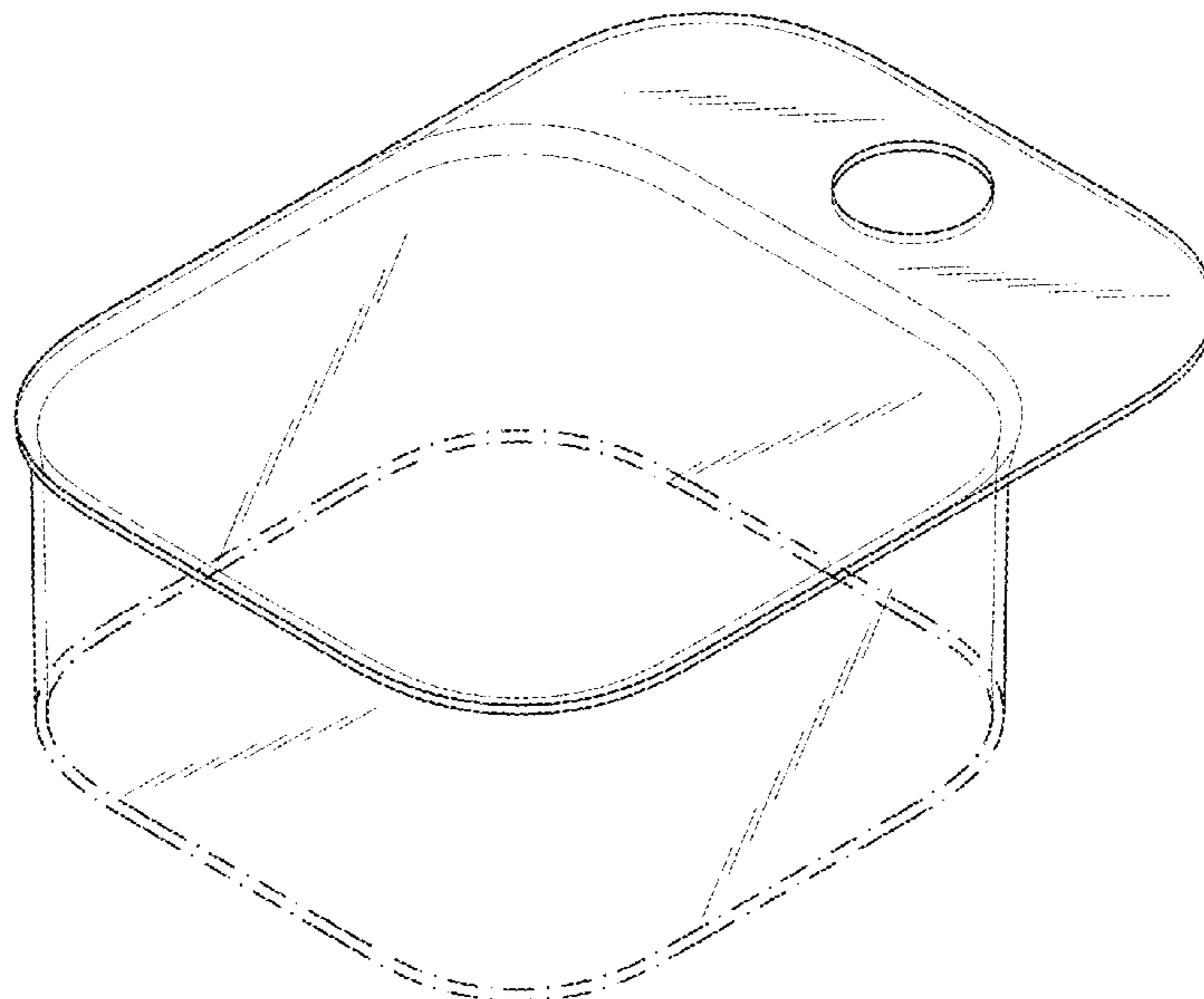
The ornamental design for a display apparatus, as shown and described.

DESCRIPTION

FIG. 1 is a front perspective view of a display apparatus showing our new design;
FIG. 2 is a top view thereof;
FIG. 3 is a bottom view thereof;
FIG. 4 is a front view thereof;
FIG. 5 is a rear view thereof;
FIG. 6 is left side view thereof; and,
FIG. 7 is a right side view thereof.

The dot dashed broken lines show unclaimed boundaries which form no part of the claimed design. The oblique shade lines show transparency and not surface ornamentation.

1 Claim, 5 Drawing Sheets



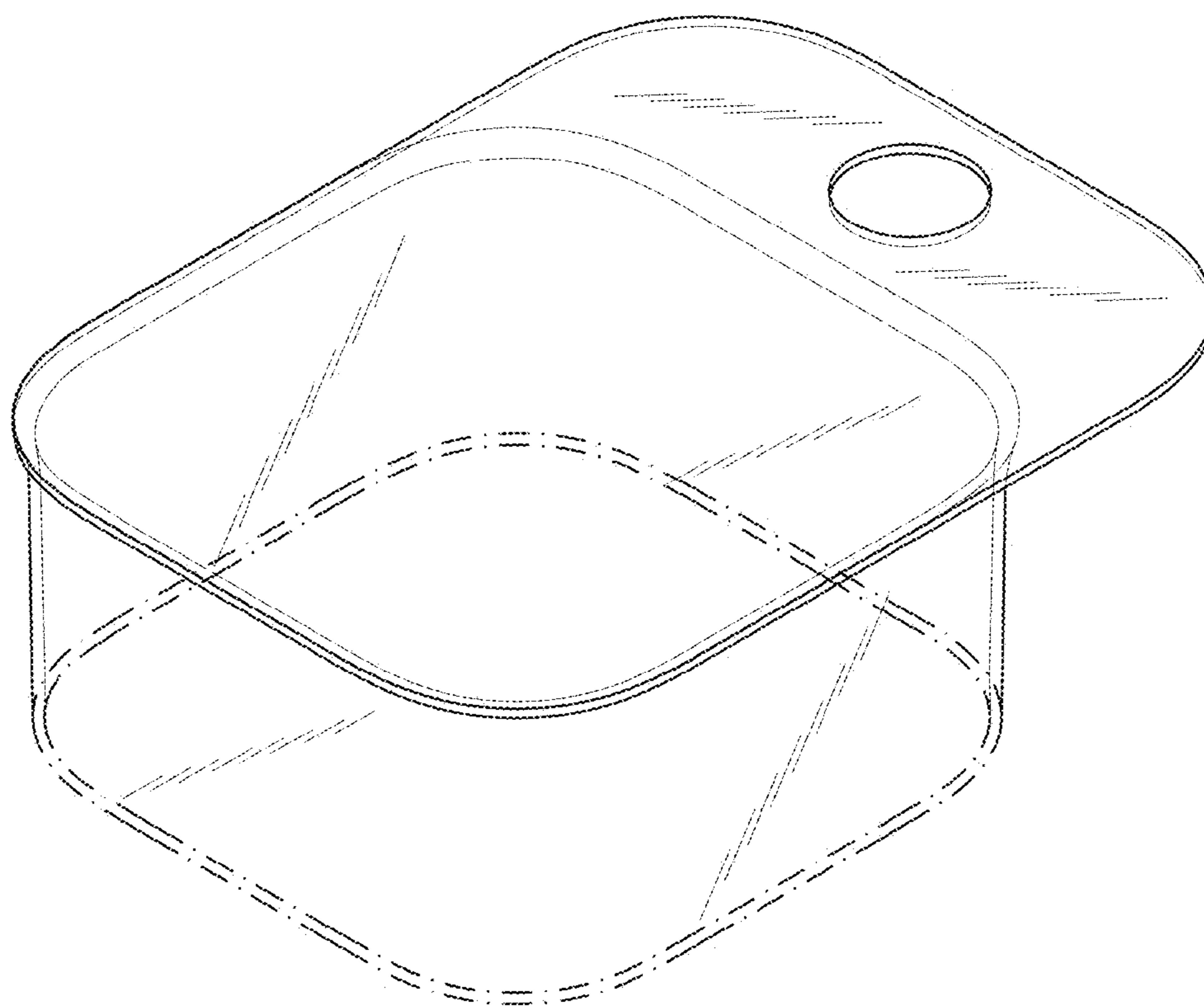


FIG. 1

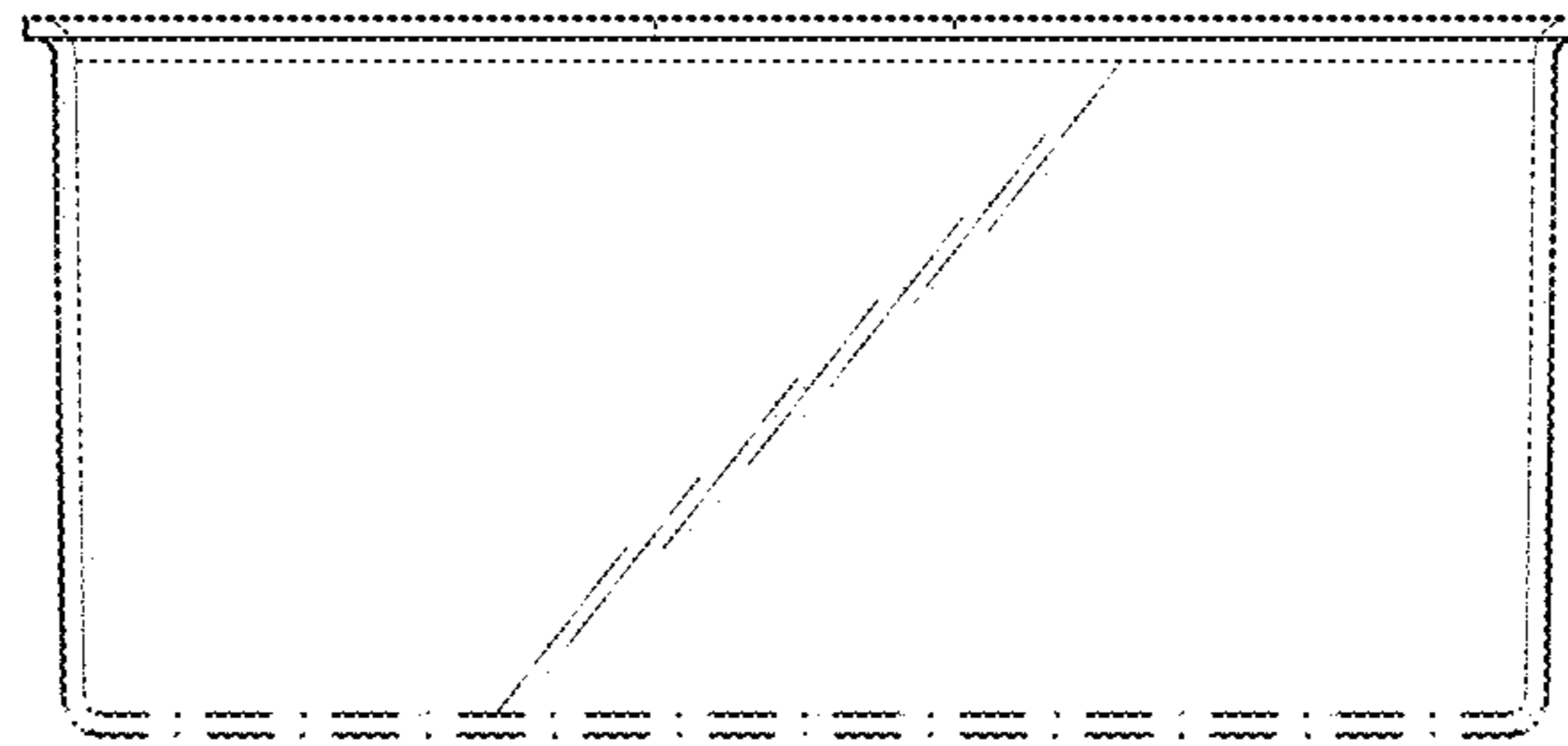


FIG. 2

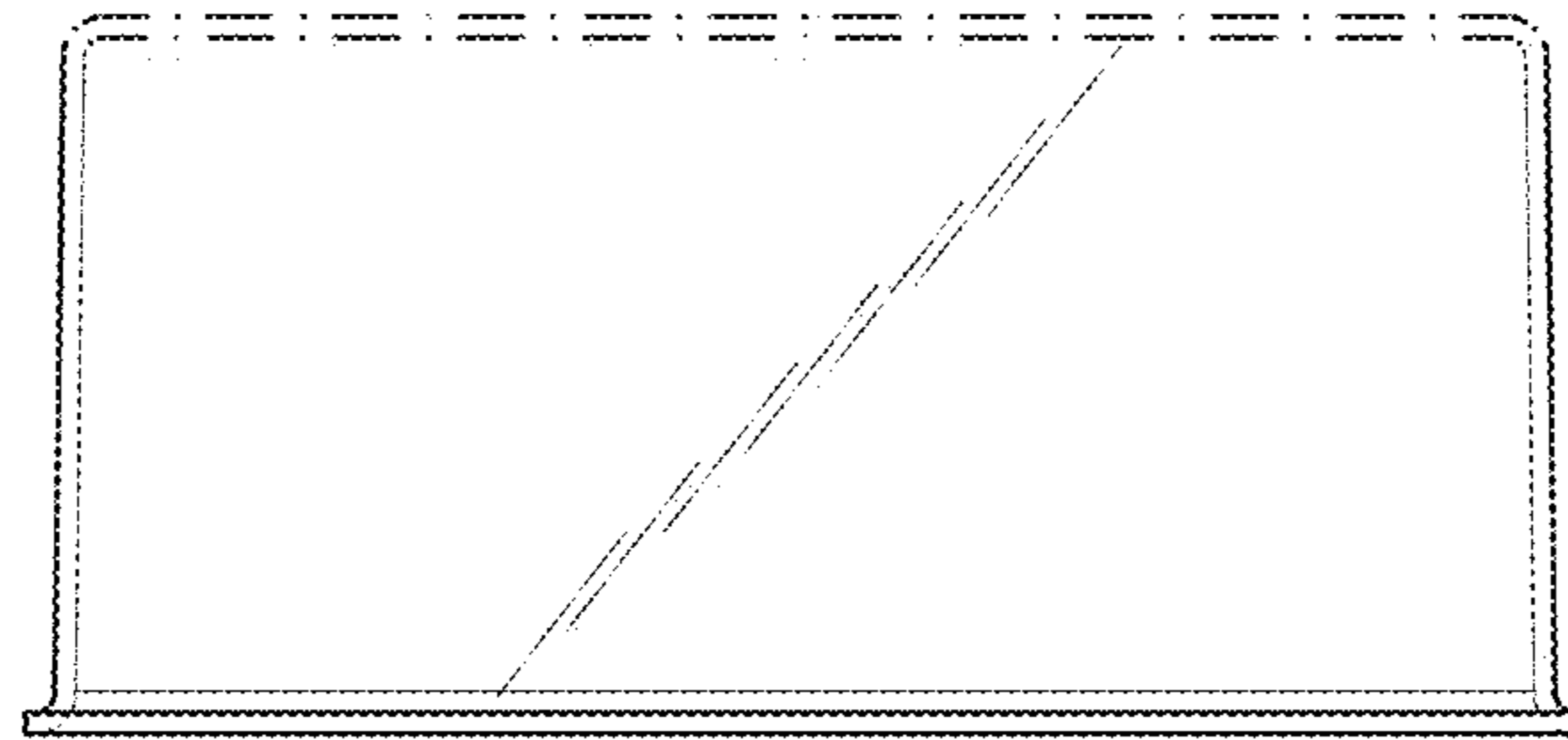


FIG. 3

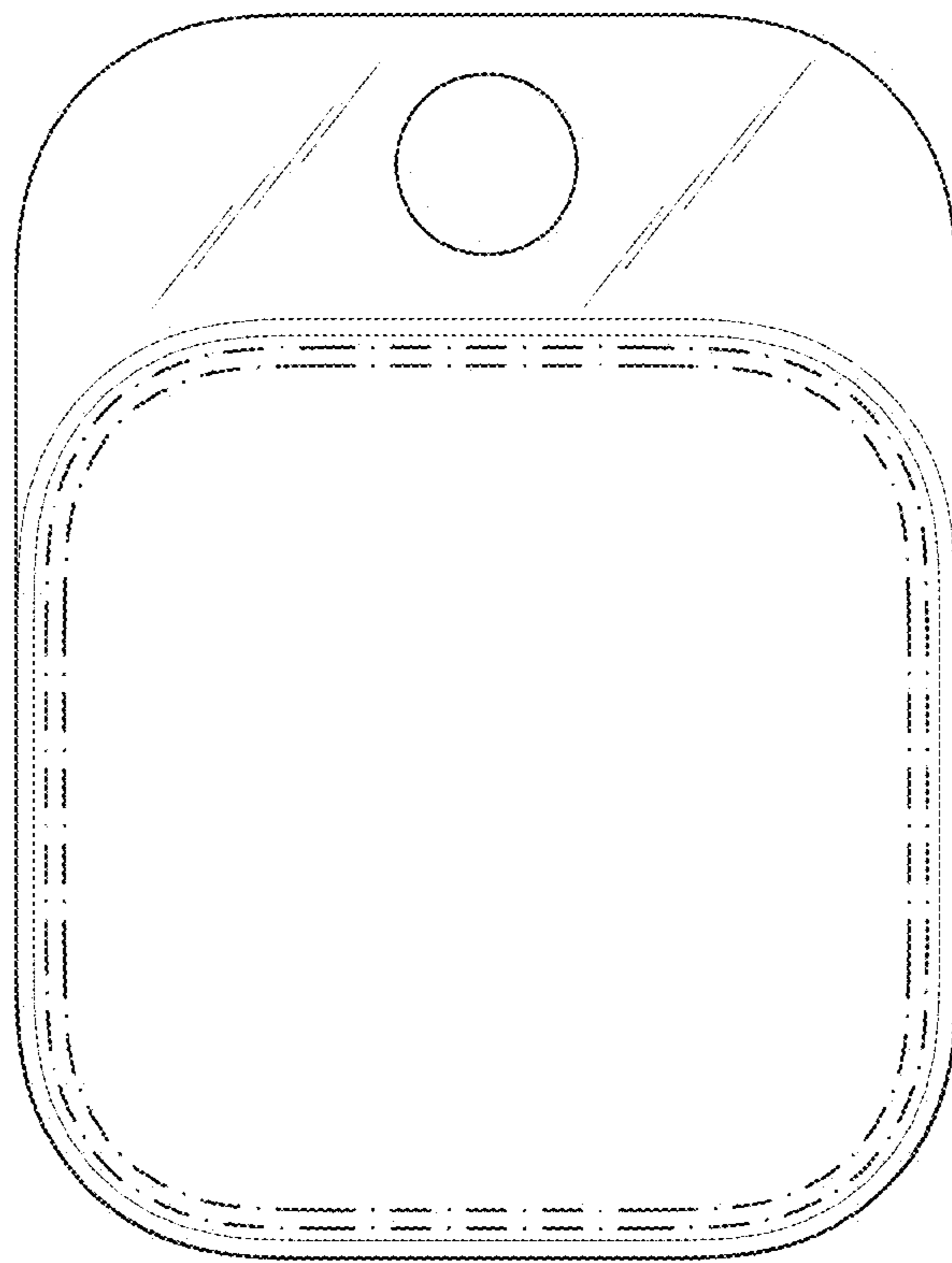


FIG. 4

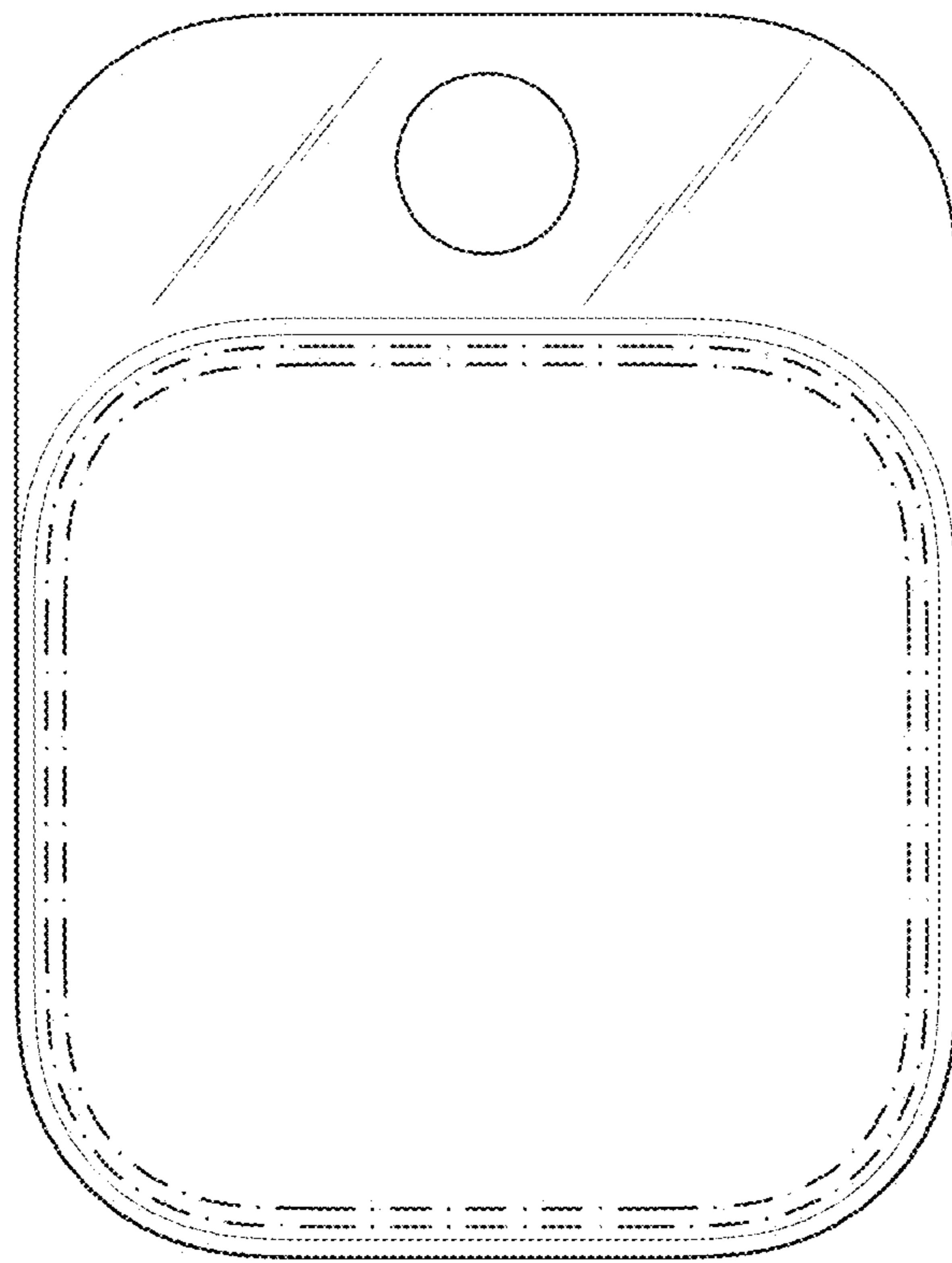


FIG. 5

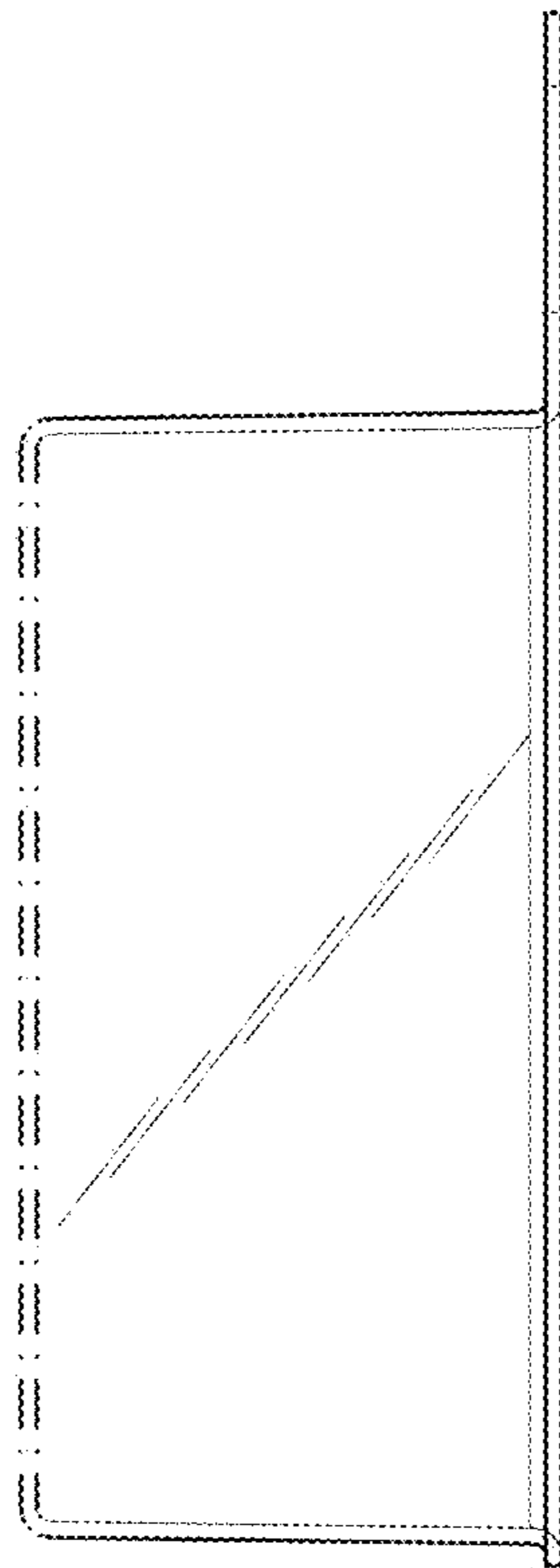


FIG. 6

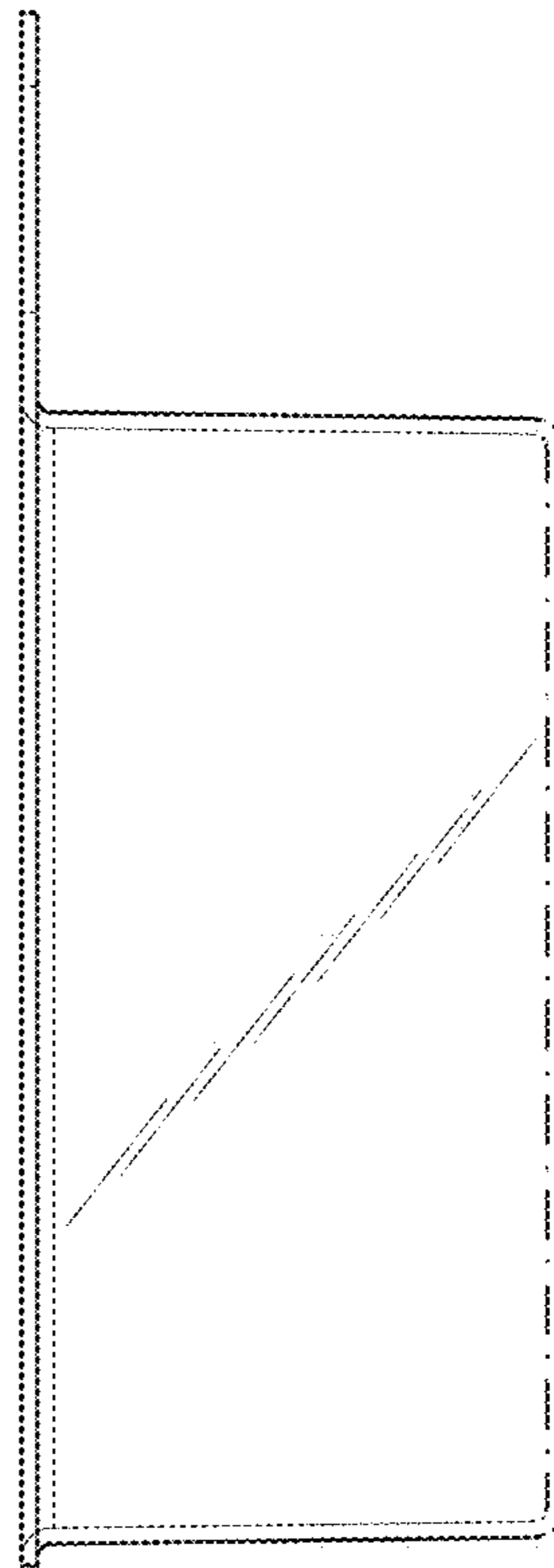


FIG. 7