



US00D682667S

(12) **United States Design Patent**
Wilson

(10) **Patent No.:** **US D682,667 S**

(45) **Date of Patent:** **** May 21, 2013**

(54) **DOORSTOP**

(76) Inventor: **Garth Alan Wilson**, Chico, CA (US)

(**) Term: **14 Years**

(21) Appl. No.: **29/413,370**

(22) Filed: **Feb. 14, 2012**

Related U.S. Application Data

(63) Continuation-in-part of application No. 12/469,069, filed on May 20, 2009, now abandoned.

(51) **LOC (9) Cl.** **08-09**

(52) **U.S. Cl.**
USPC **D8/402**

(58) **Field of Classification Search** D8/395,
D8/400-404, 499, 391, 393, 388, 360, 378;
D9/456, 614, 623, 628, 640, 673; 160/181;
D21/385, 418, 426, 430, 441, 447-449, 51,
D21/499, 582, 587, 593, 594, 621; 40/331,
40/599; 16/71, 82, 83, 375, 342, 85, 86 B;
D28/91.1, 38, 39, 54.1; D11/36, 32, 53,
D11/78.1, 101, 113, 136, 150, 160, 162;
D6/332, 553-574; D20/19, 42, 43; D19/34.1,
D19/34.5, 65, 90, 96; 292/343, 342, 288;
248/188.2; D25/38.1; D29/124

See application file for complete search history.

(56) **References Cited**

U.S. PATENT DOCUMENTS

1,602,226	A	*	10/1926	Gully	292/338
D74,227	S	*	1/1928	Johnson	D8/402
D135,717	S	*	5/1943	Peers	D21/449
D138,047	S	*	6/1944	Einzig	D21/449
3,831,989	A	*	8/1974	Gurzenda	292/338
D303,625	S	*	9/1989	Ryser et al.	D8/336
5,282,658	A	*	2/1994	Reeves, Jr.	292/338
D426,769	S	*	6/2000	Chan	D9/673
D571,651	S	*	6/2008	Lee	D8/402
D571,652	S	*	6/2008	Zhang	D8/402
D600,109	S	*	9/2009	Bravo	D8/402

* cited by examiner

Primary Examiner — George D Kirschbaum

Assistant Examiner — Janice Hallmark

(74) *Attorney, Agent, or Firm* — William Bodnar

(57) **CLAIM**

I claim the ornamental design for a doorstop, substantially as shown and described.

DESCRIPTION

FIG. 1 is a perspective view of the doorstop design.

FIG. 2 is a side view of the doorstop design.

FIG. 3 is a front view of the doorstop design.

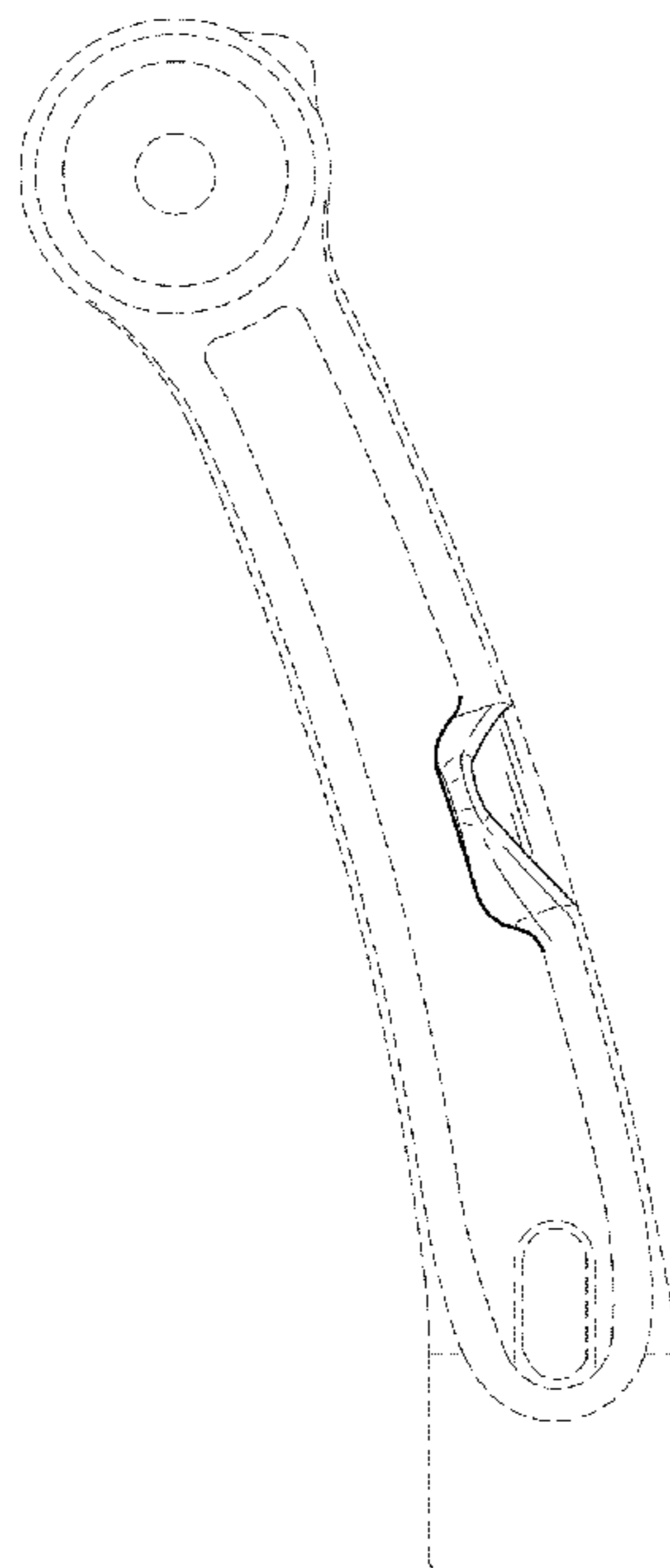
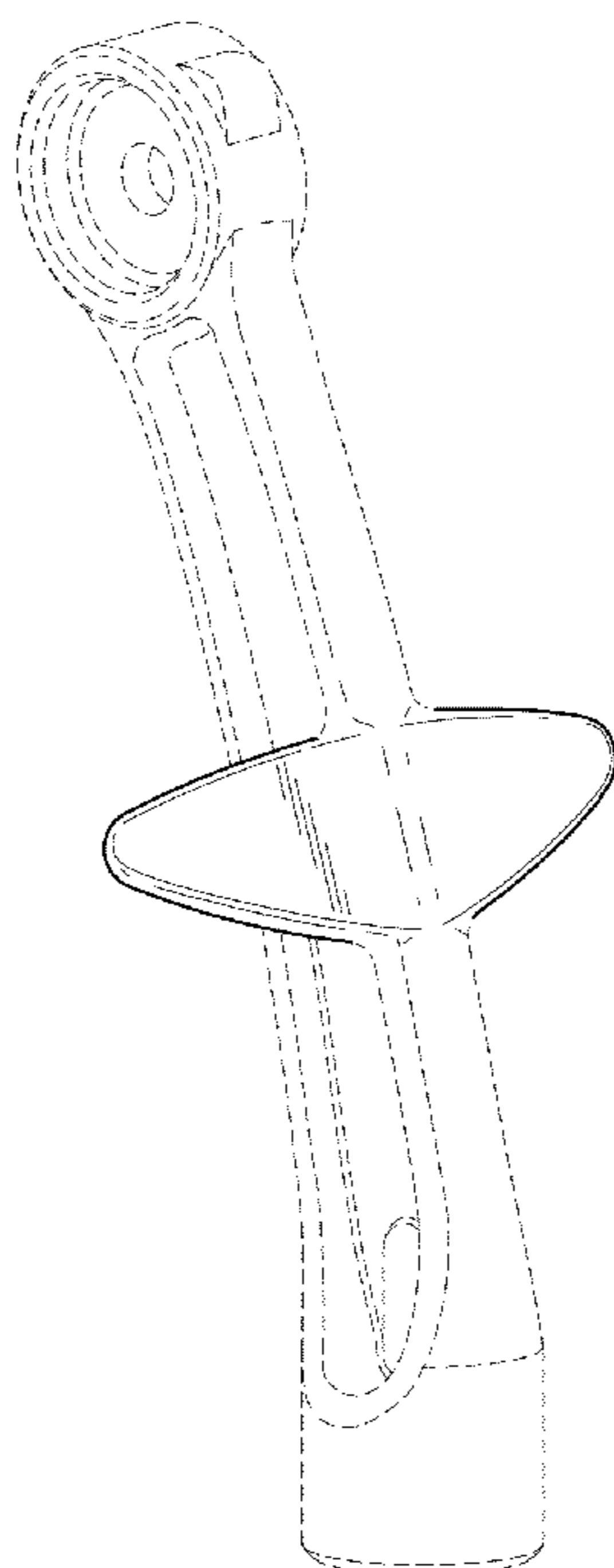
FIG. 4 is a back view of the doorstop design.

FIG. 5 is a bottom view of the doorstop design; and,

FIG. 6 is a top view of the doorstop design.

The broken line showing of the doorstop elements is included for the purpose of illustrating portions of the "article" and forms no part of the claimed design.

1 Claim, 4 Drawing Sheets



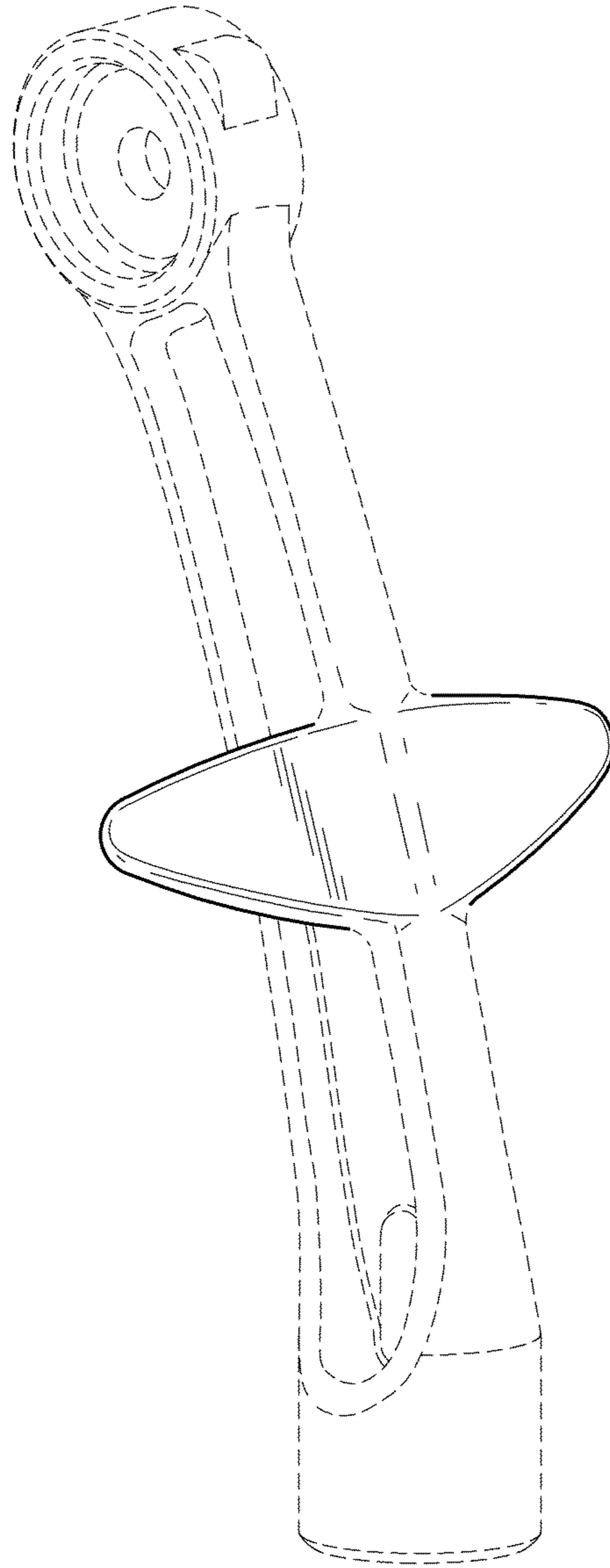


FIG. 1

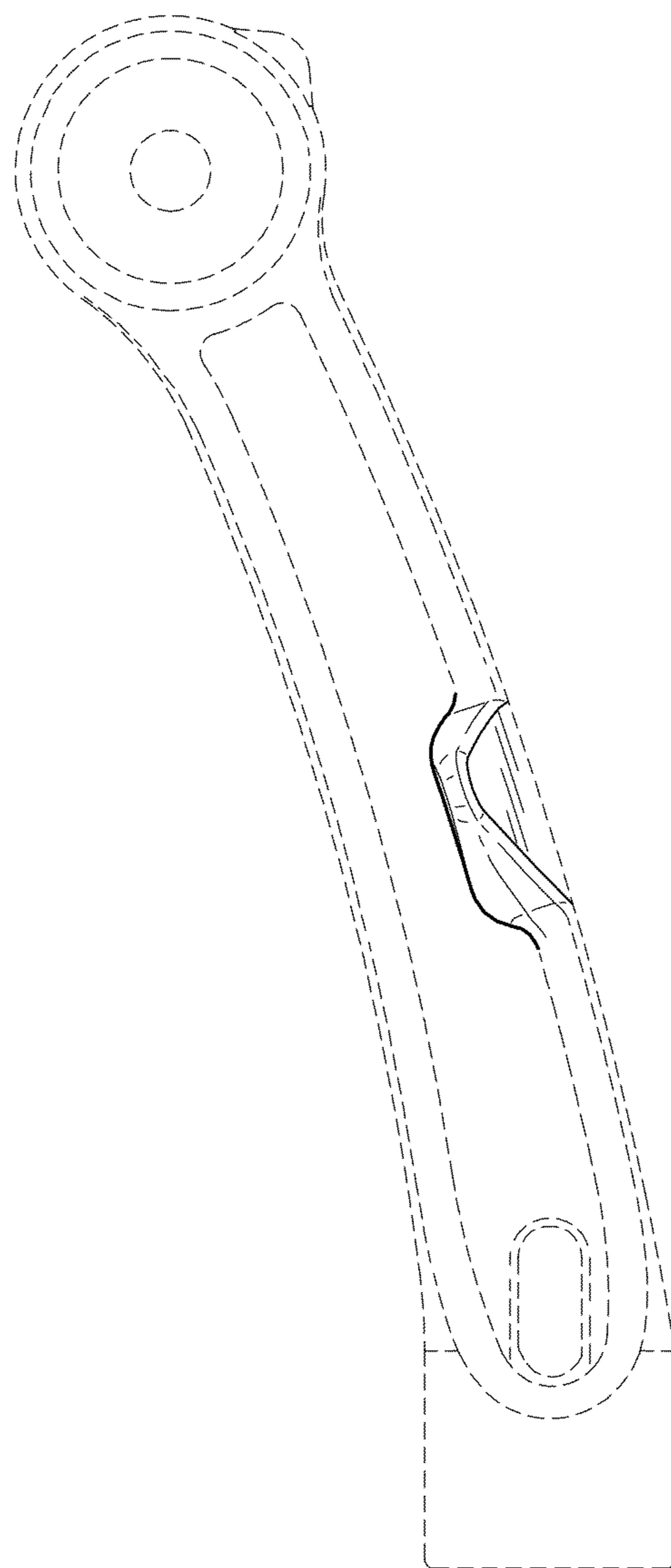


FIG. 2

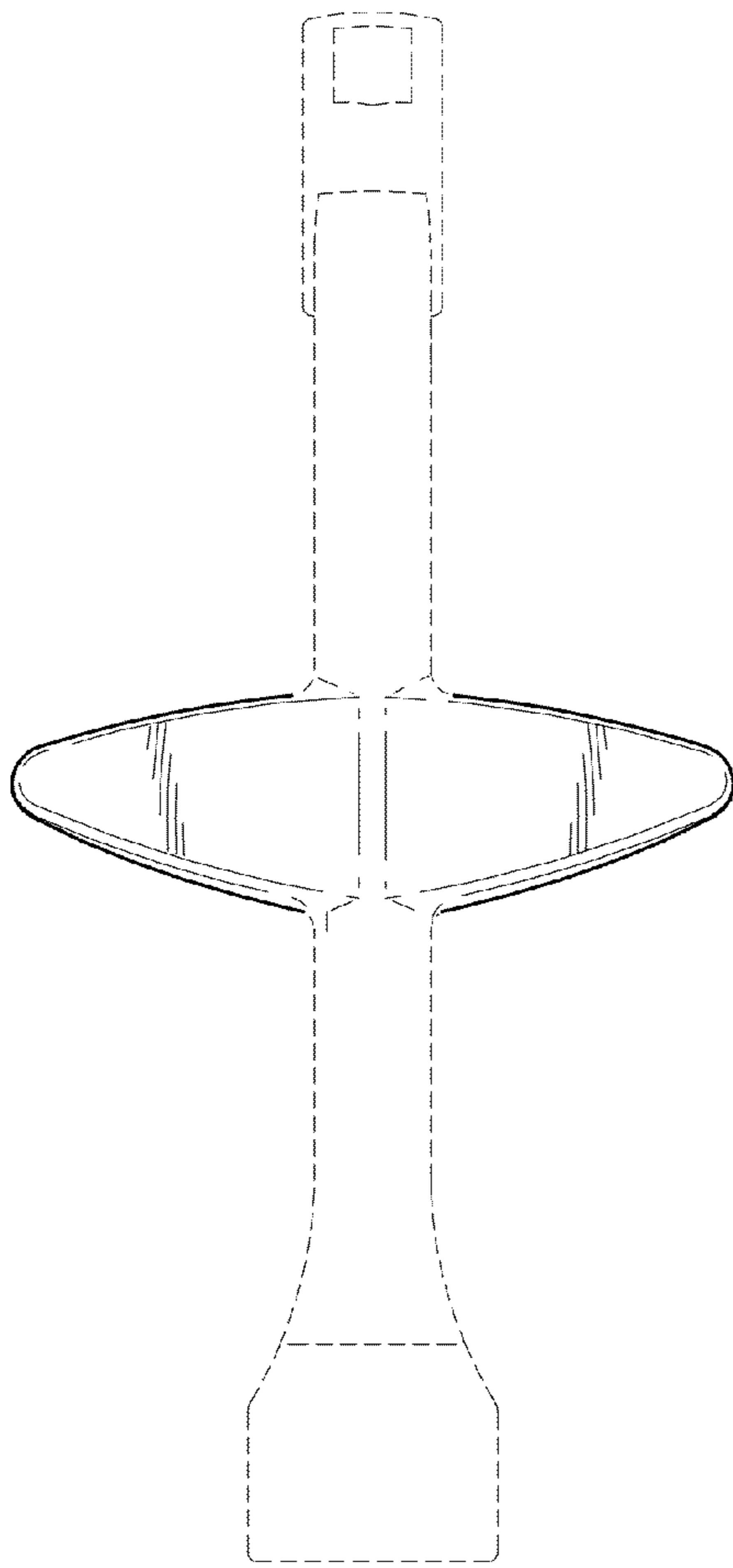


FIG. 3

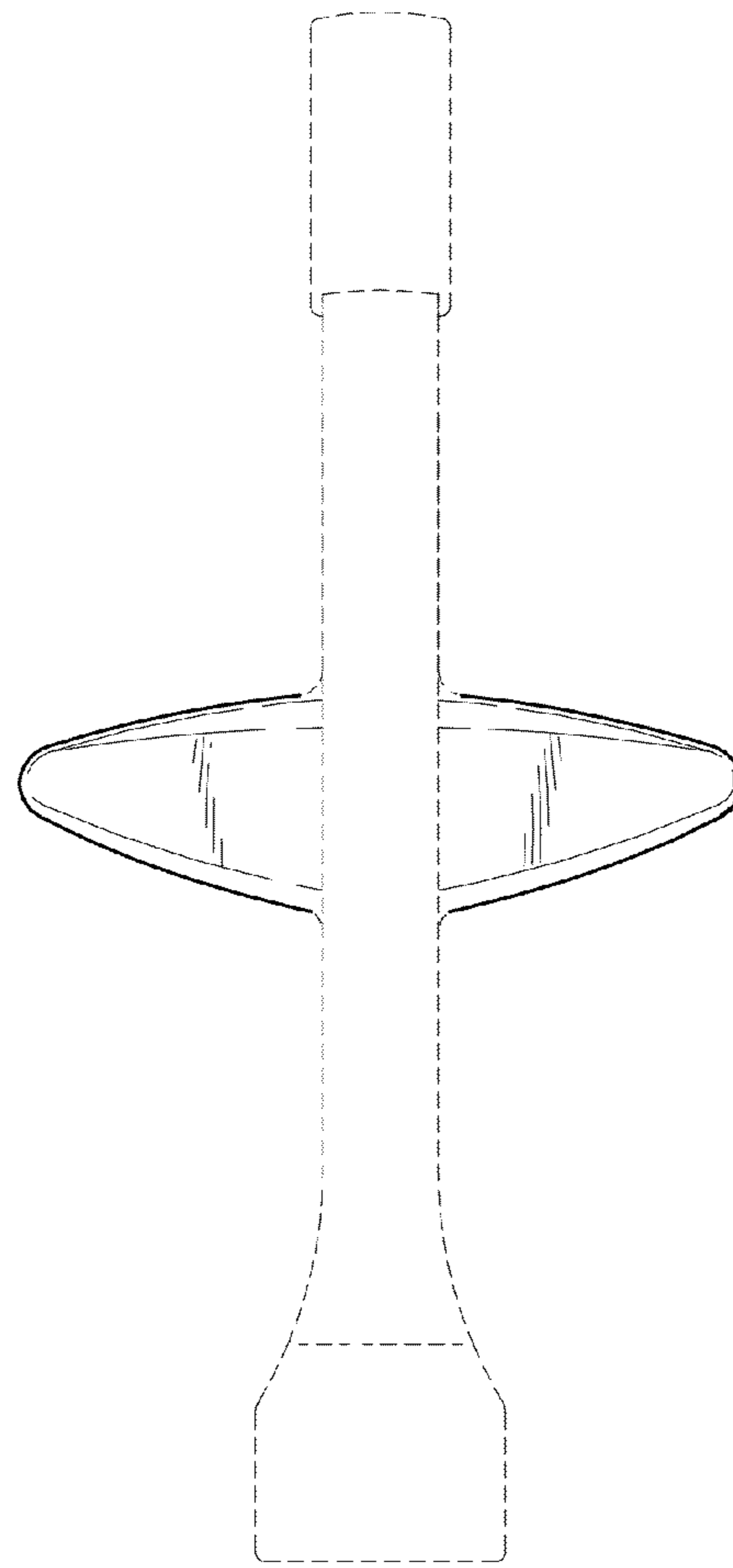


FIG. 4

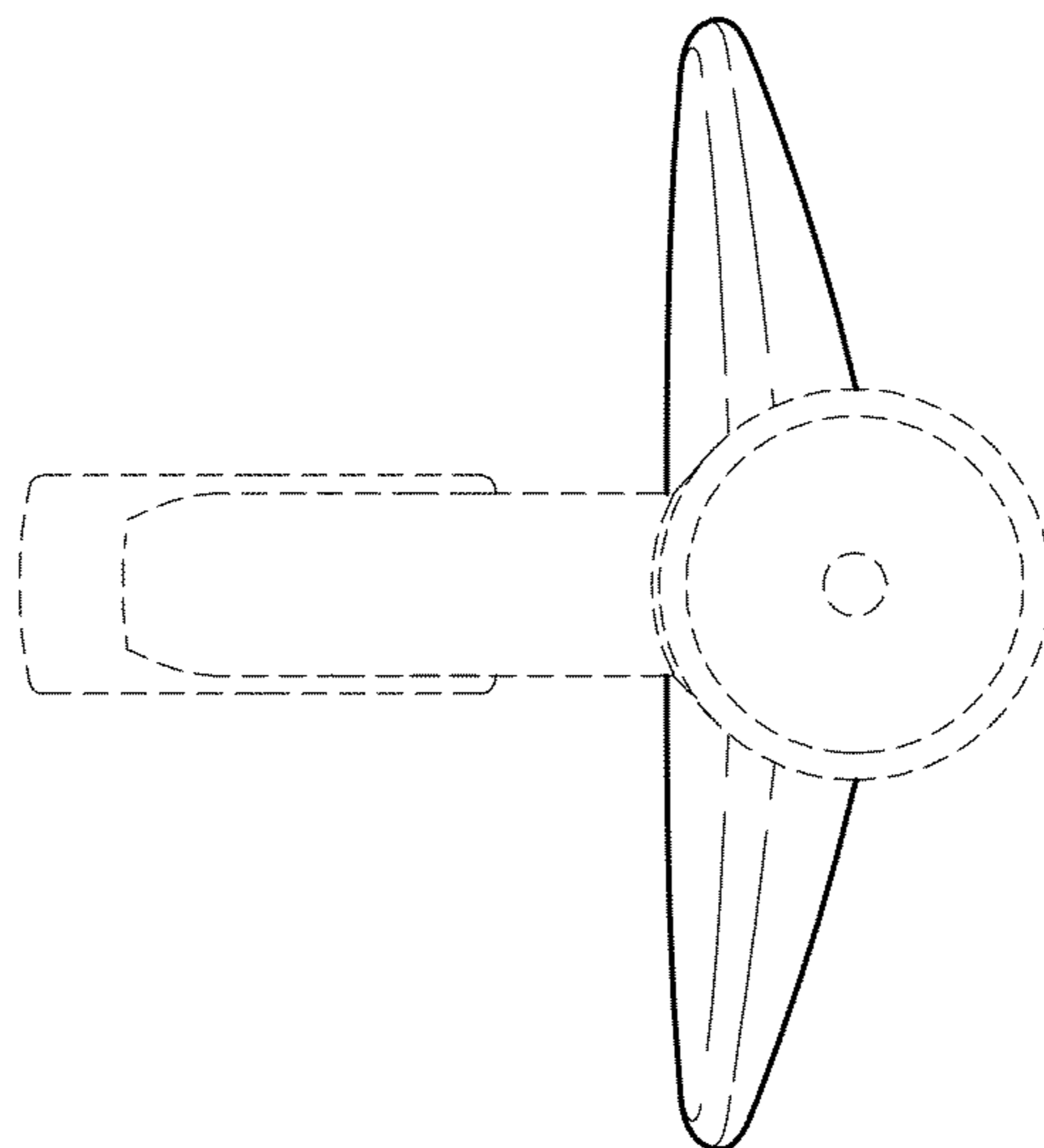


FIG. 5

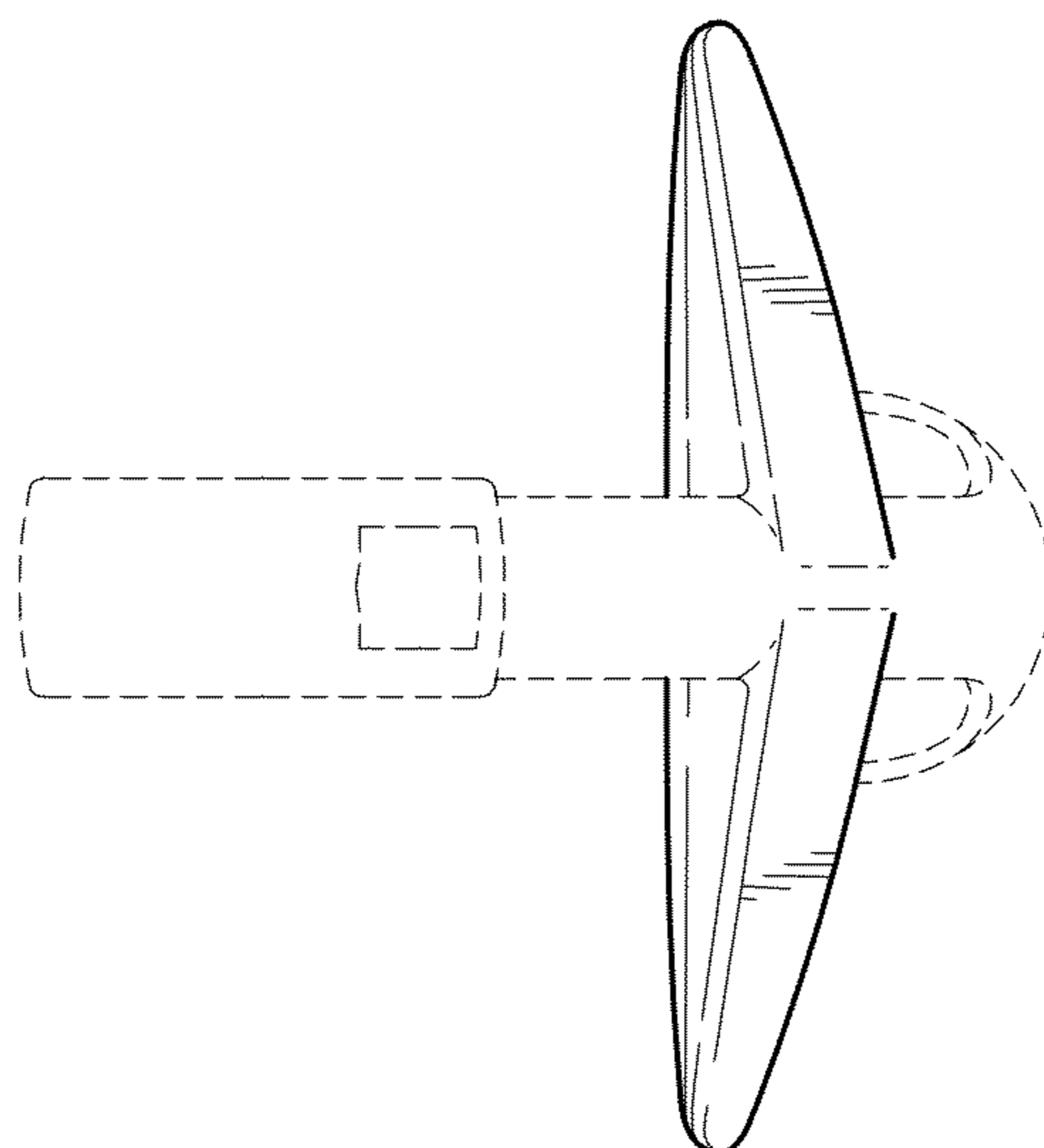


FIG. 6