



US00D682666S

(12) **United States Design Patent**  
**Wigboldy**

(10) **Patent No.:** **US D682,666 S**

(45) **Date of Patent:** **\*\* May 21, 2013**

(54) **WASHER**

(75) Inventor: **Jason R. Wigboldy**, Grand Rapids, MI  
(US)

(73) Assignee: **Rodenhouse, Inc.**, Grand Rapids, MI  
(US)

(\*\*) Term: **14 Years**

(21) Appl. No.: **29/431,379**

(22) Filed: **Sep. 6, 2012**

(51) **LOC (9) Cl.** ..... **08-08**

(52) **U.S. Cl.**  
USPC ..... **D8/399**

(58) **Field of Classification Search** ..... D8/397,  
D8/394, 382, 349, 399; 411/427, 429, 432,  
411/918, 179, 180

See application file for complete search history.

(56) **References Cited**

**U.S. PATENT DOCUMENTS**

D32,793	S *	6/1900	Fauber	.....	D8/399
4,102,239	A *	7/1978	Dallas	.....	411/531
4,793,757	A *	12/1988	Peterson	.....	411/533
5,079,055	A *	1/1992	Doyle	.....	428/36.2
5,419,666	A *	5/1995	Best	.....	411/373
5,423,858	A *	6/1995	Bolanos et al.	.....	606/220
5,517,883	A *	5/1996	Goldi et al.	.....	81/57.37
5,541,377	A *	7/1996	Stuhlmacher	.....	200/296
5,833,422	A *	11/1998	Haga et al.	.....	411/526
6,039,525	A *	3/2000	Johnson	.....	411/353
D482,270	S *	11/2003	Derilo	.....	D8/397
D549,091	S *	8/2007	McIntyre et al.	.....	D8/399
D576,480	S *	9/2008	Vakiener et al.	.....	D8/397
D596,934	S *	7/2009	Vakiener et al.	.....	D8/397

D660,691	S *	5/2012	Yamazaki	.....	D8/399
2006/0171794	A1 *	8/2006	Ordonio et al.	.....	411/369
2008/0310932	A1 *	12/2008	McIntyre et al.	.....	411/150

**OTHER PUBLICATIONS**

Brochure disclosing 2" diameter Plasti-Grip® PBLP2 washer distributed by Rodenhouse Inc. more than one year prior to Sep. 6, 2012.  
Brochure disclosing 1¾" diameter Plasti-Grip® CBW washer distributed by Rodenhouse Inc. more than one year prior to Sep. 6, 2012.  
Brochure disclosing 1¼" diameter Grip-Plate® Tab washer distributed by Rodenhouse Inc. more than one year prior to Sep. 6, 2012.  
Brochure disclosing 1¼" diameter Grip-Plate® Plastic washer distributed by Rodenhouse Inc. more than one year prior to Sep. 6, 2012.  
Brochure disclosing 2" diameter Plasti-Grip® CBW2 washer distributed by Rodenhouse Inc. more than one year prior to Sep. 6, 2012.

(Continued)

*Primary Examiner* — Cynthia Underwood

(74) *Attorney, Agent, or Firm* — Gardner, Linn, Burkhardt & Flory, LLP

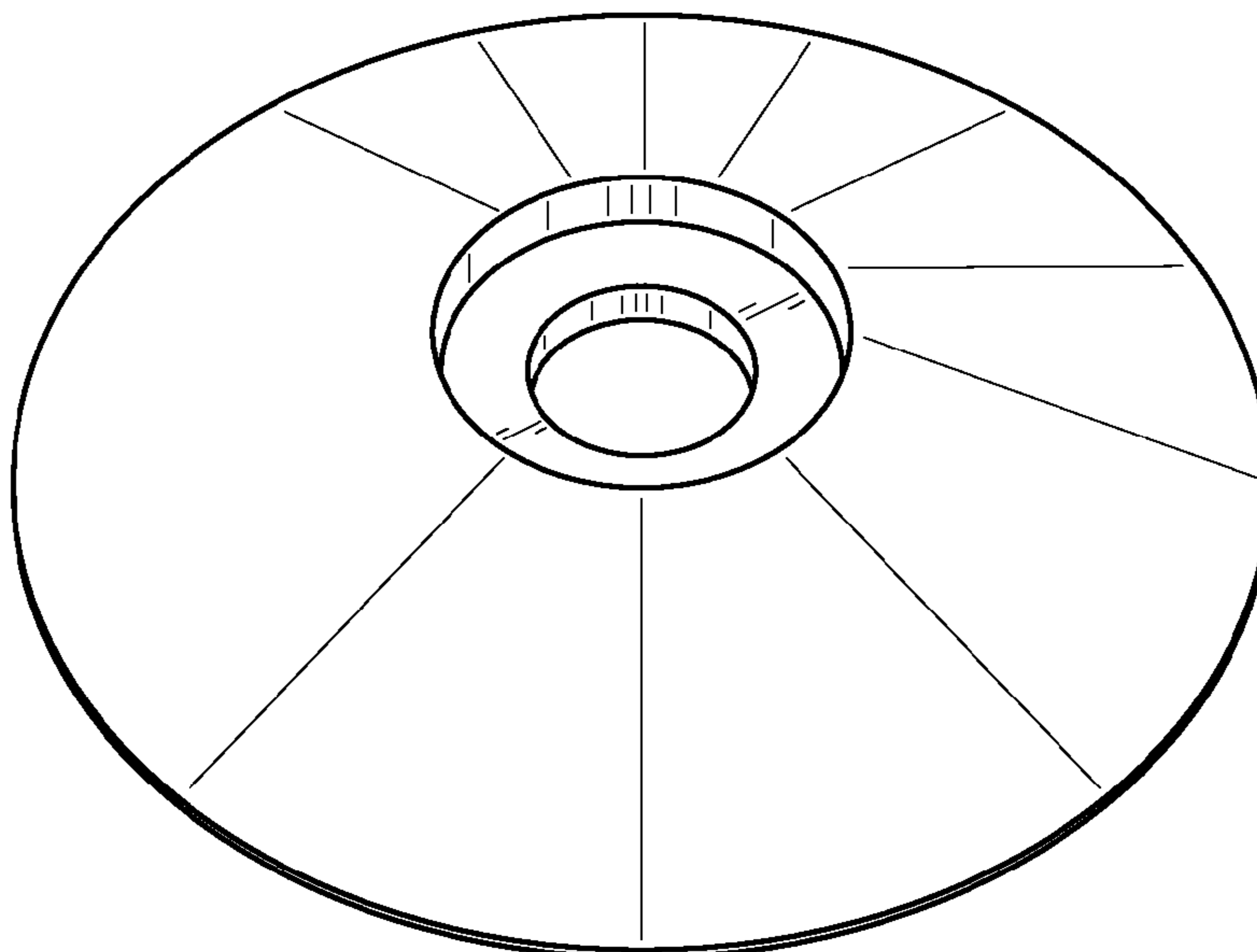
(57) **CLAIM**

The ornamental design for the washer, as shown and described.

**DESCRIPTION**

FIG. 1 is a top side perspective view of the washer showing my design in an environment of use.  
FIG. 2 is a top perspective view of the washer of FIG. 1;  
FIG. 3 is a top plan view of the washer of FIG. 1;  
FIG. 4 is a bottom plan view of the washer of FIG. 1; and,  
FIG. 5 is a side elevation view of the washer of FIG. 1.  
The broken lines are for illustrative purposes only and form no part of the claimed design.

**1 Claim, 5 Drawing Sheets**



OTHER PUBLICATIONS

Brochure disclosing 1¾" diameter Plasti-Grip® III washer distributed by Rodenhouse Inc. more than one year prior to Sep. 6, 2012.  
Brochure disclosing Plasti-Grip® PMF Plastic Masonry Fastener distributed by Rodenhouse Inc. more than one year prior to Sep. 6, 2012.

Brochure disclosing 3" diameter Grip-Lok® "Hurricane" washer distributed by Rodenhouse Inc. more than one year prior to Sep. 6, 2012.

\* cited by examiner

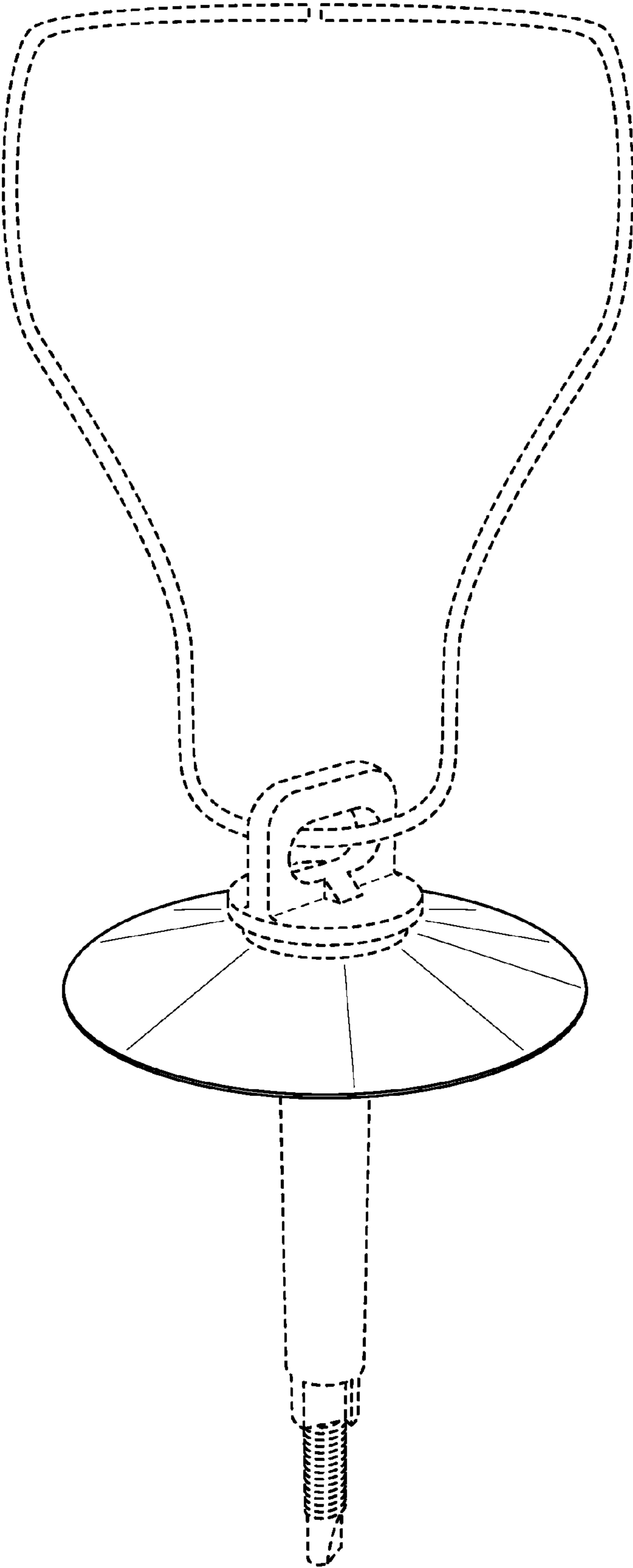


FIG. 1

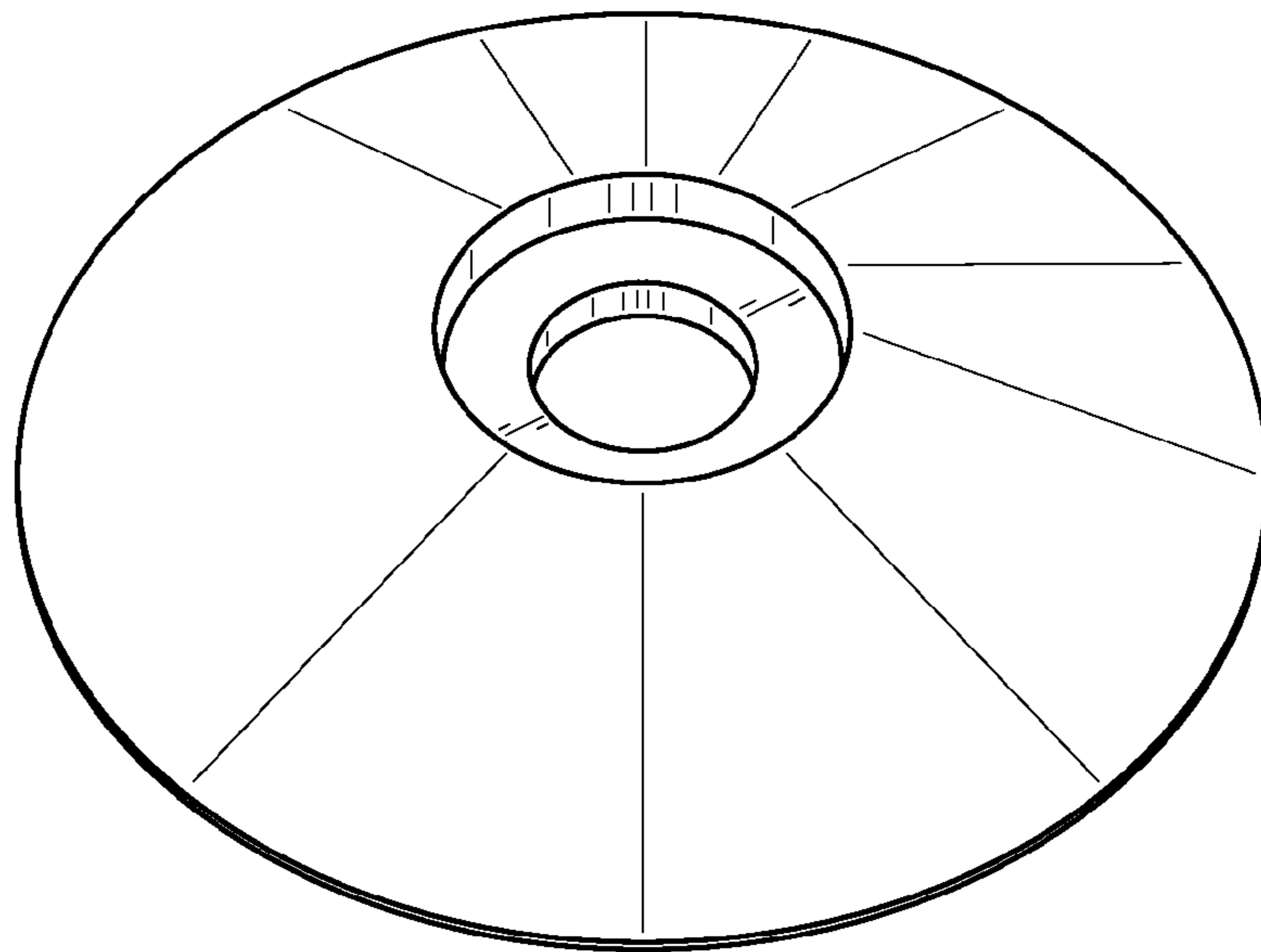


FIG. 2

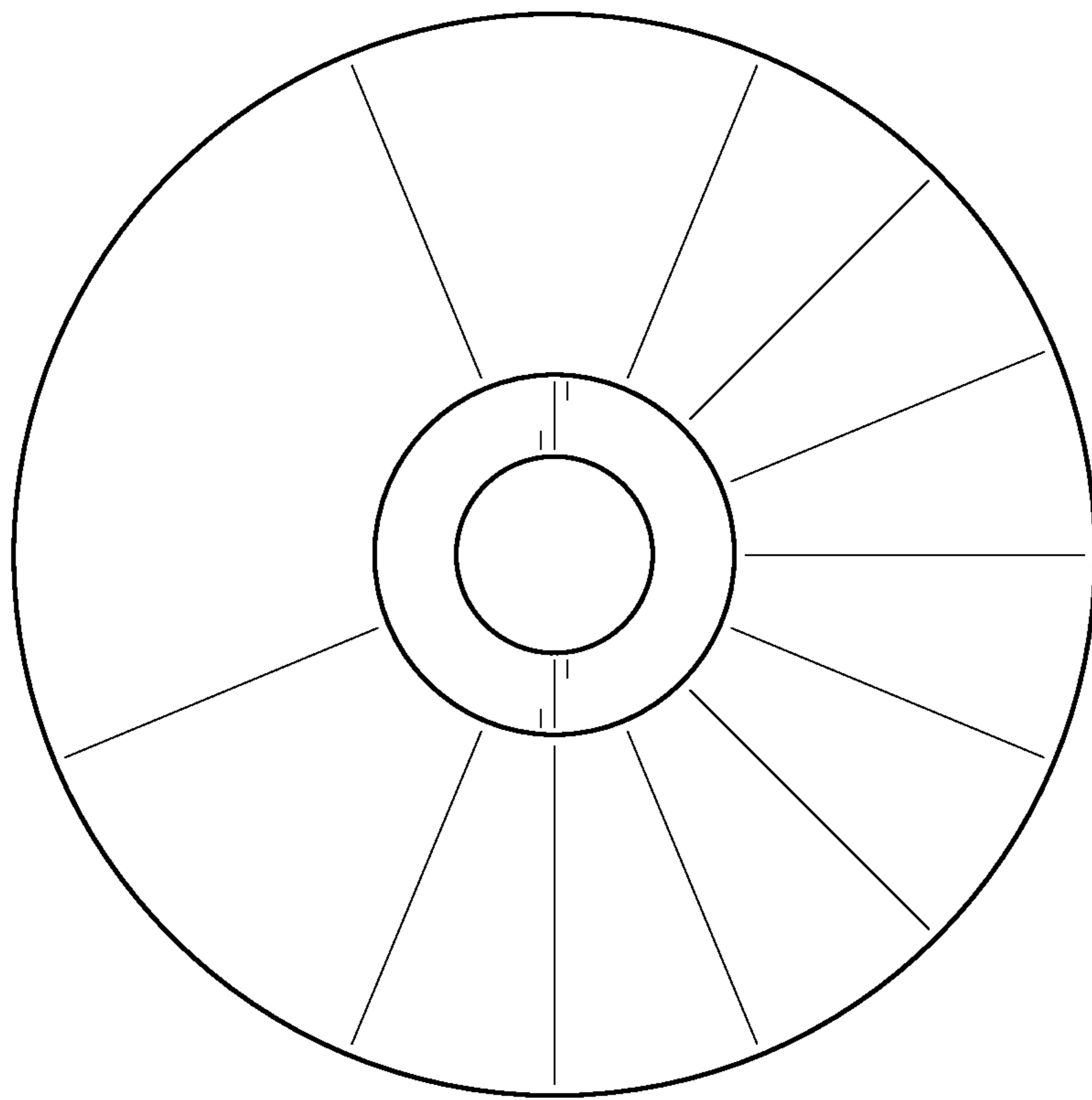


FIG. 3

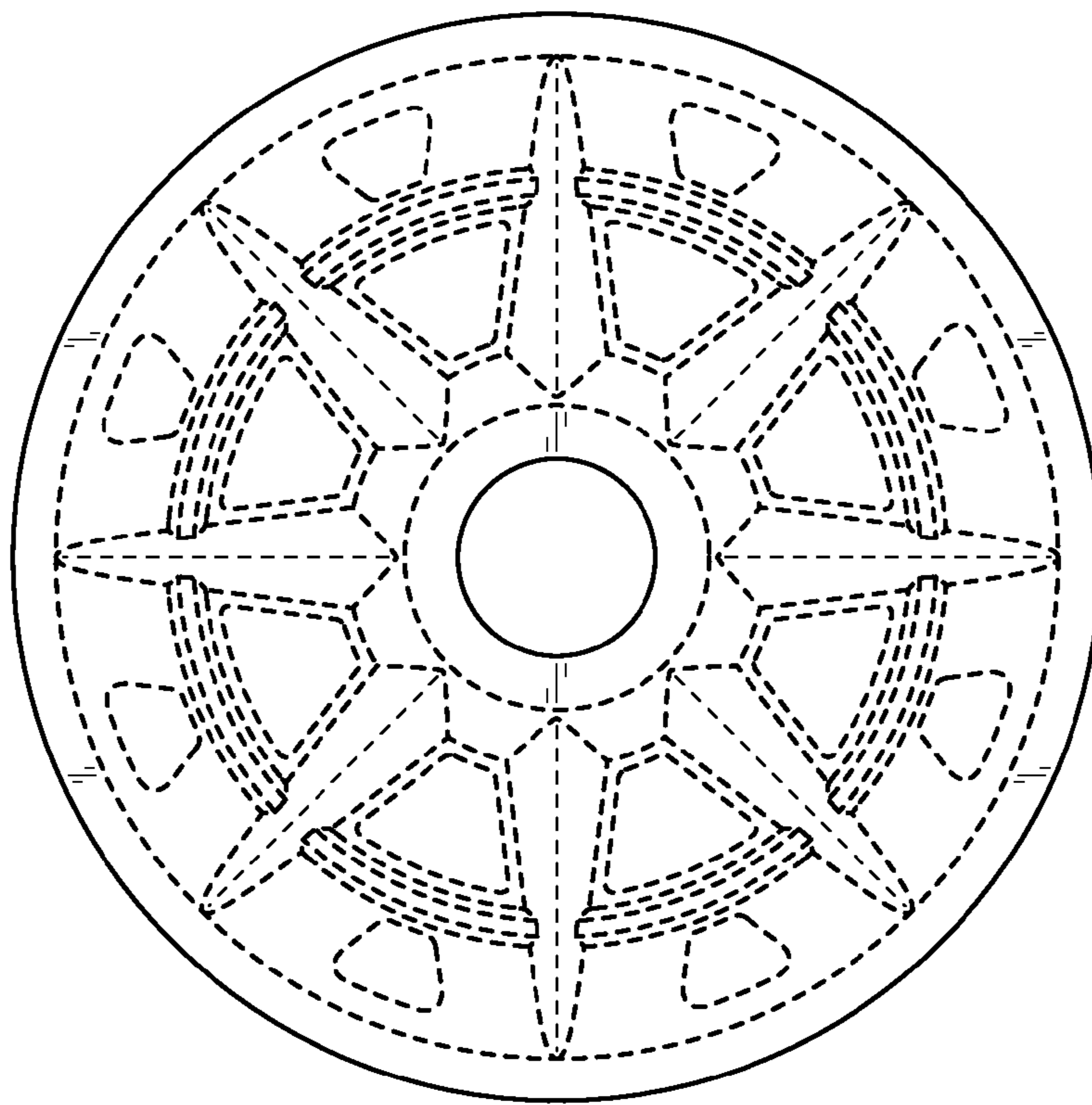


FIG. 4

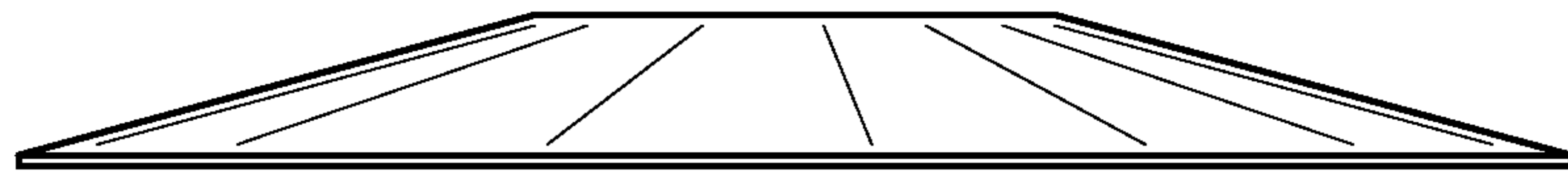


FIG. 5