



US00D682665S

(12) **United States Design Patent**
Meyer

(10) **Patent No.:** **US D682,665 S**

(45) **Date of Patent:** **** May 21, 2013**

(54) **CLIP**

(75) Inventor: **Scott A. Meyer**, Minneapolis, MN (US)

(73) Assignee: **Target Brands, Inc.**, Minneapolis, MN (US)

(**) Term: **14 Years**

(21) Appl. No.: **29/398,715**

(22) Filed: **Aug. 3, 2011**

(51) **LOC (9) Cl.** **08-08**

(52) **U.S. Cl.**
USPC **D8/395**

(58) **Field of Classification Search** D8/354,
D8/356, 371, 394-396; D19/65, 86; D24/128;
248/74.2, 215, 227.1, 49, 300, 301, 316.7,
248/51, 489; 24/570, 3.12; D32/61; D11/78.1
See application file for complete search history.

(56) **References Cited**

U.S. PATENT DOCUMENTS

1,381,846	A *	6/1921	Maker et al.	24/66.13
1,818,617	A *	8/1931	Grinwald	248/231.81
2,171,350	A	12/1936	Anderson	
2,475,021	A *	7/1949	Gibbons et al.	33/443
2,547,239	A	4/1951	Walker	
2,566,837	A *	9/1951	Huelsmeyer	40/658
2,675,636	A	4/1954	Schulz	
D202,079	S *	8/1965	Polk	D19/65
3,230,650	A *	1/1966	Orkin	283/107
D205,923	S *	10/1966	McCormick	D20/43
3,309,052	A *	3/1967	Borisof	248/205.3
D213,236	S *	1/1969	Zacharia	D19/86
3,545,805	A *	12/1970	Wilson	296/97.6
3,561,066	A	2/1971	Osteen	
D221,412	S *	8/1971	Laughlin	D11/78.1
D225,906	S *	1/1973	Cline	D19/65
3,748,815	A *	7/1973	Parker	52/714
D242,431	S *	11/1976	Carroll	D20/43
4,044,485	A	8/1977	Hopp	

D251,124	S *	2/1979	Takeuchi	D19/65
4,317,589	A *	3/1982	Kuss	296/97.6
D265,381	S *	7/1982	Borja	D8/395
4,882,862	A	11/1989	Slavsky, Sr.	
4,918,847	A	4/1990	Lee	
D372,358	S *	8/1996	Mathison	D3/247
D374,554	S *	10/1996	Niernberger	D3/249
5,592,767	A	1/1997	Treske	
5,816,396	A *	10/1998	Shin	206/315.3
6,105,294	A	8/2000	Goodfellow	
6,170,181	B1	1/2001	Groner	
D453,294	S *	2/2002	Bitzer	D8/395
6,523,292	B2	2/2003	Slavik	
D476,375	S	6/2003	Zadak et al.	

(Continued)

Primary Examiner — John Windmuller

(74) *Attorney, Agent, or Firm* — Leanne Taveggia Farrell;
Westman, Champlin & Kelly, P.A.

(57) **CLAIM**

The ornamental design for a clip, as shown and described.

DESCRIPTION

FIG. 1 is a first perspective view of the clip;

FIG. 2 is a front view thereof;

FIG. 3 is a back view thereof;

FIG. 4 is a right side view thereof;

FIG. 5 is a left side view thereof;

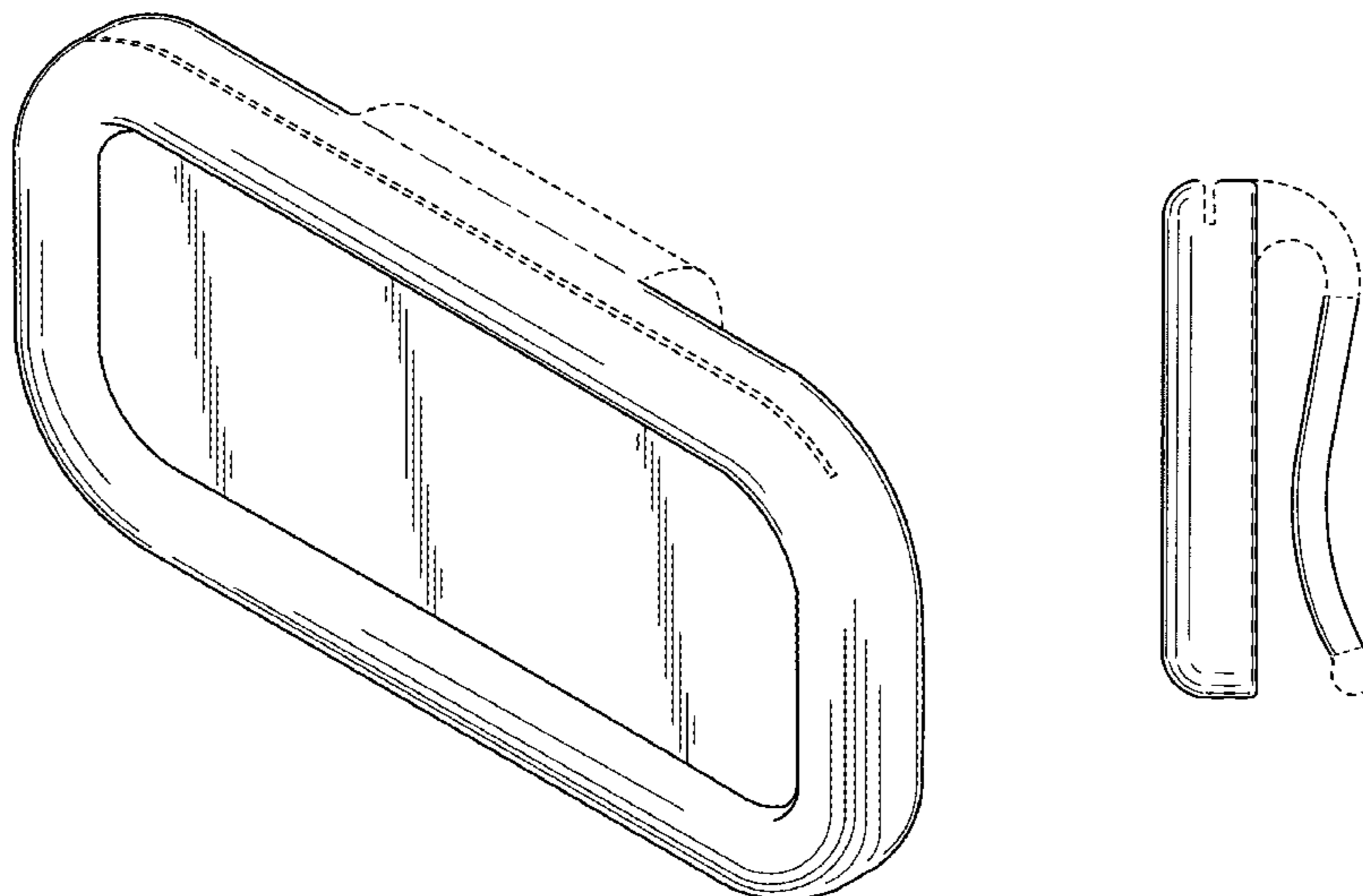
FIG. 6 is a top view thereof;

FIG. 7 is a bottom view thereof; and,

FIG. 8 is a second perspective view thereof.

The uniform broken lines shown in FIG. 8 are included for purposes of illustrating environment and form no part of the claimed design, while all other uniform broken lines in the drawings are included for purposes of illustrating portions of the clip and form no part of the claimed design. The dot-dash lines shown in the drawings are included for purposes of illustrating boundaries of the claim and form no part of the claimed design.

1 Claim, 5 Drawing Sheets



US D682,665 S

Page 2

U.S. PATENT DOCUMENTS

6,725,508	B1 *	4/2004	Noda et al.	24/545	D597,827	S *	8/2009	Brassard	D8/395
D525,162	S *	7/2006	Suman	D11/78.1	D620,785	S *	8/2010	St. Germaine	D8/395
D527,426	S	8/2006	Mason		7,866,769	B2	1/2011	Ahlgrim et al.	
7,131,224	B1	11/2006	Elliott et al.		7,874,088	B2	1/2011	Nikols	
7,325,349	B2	2/2008	Becker		D650,951	S *	12/2011	Connelly et al.	D30/136
7,334,616	B2	2/2008	Kaminski		D651,363	S *	12/2011	Connelly et al.	D30/136
D577,387	S	9/2008	Kurmlavage		2008/0040963	A1	2/2008	Ochs et al.	
D583,417	S *	12/2008	Maier-Hunke	D19/65	2009/0217558	A1	9/2009	Maier-Hunke	
D591,044	S *	4/2009	Lakhiani	D3/249	2010/0252473	A1	10/2010	Dane et al.	

* cited by examiner

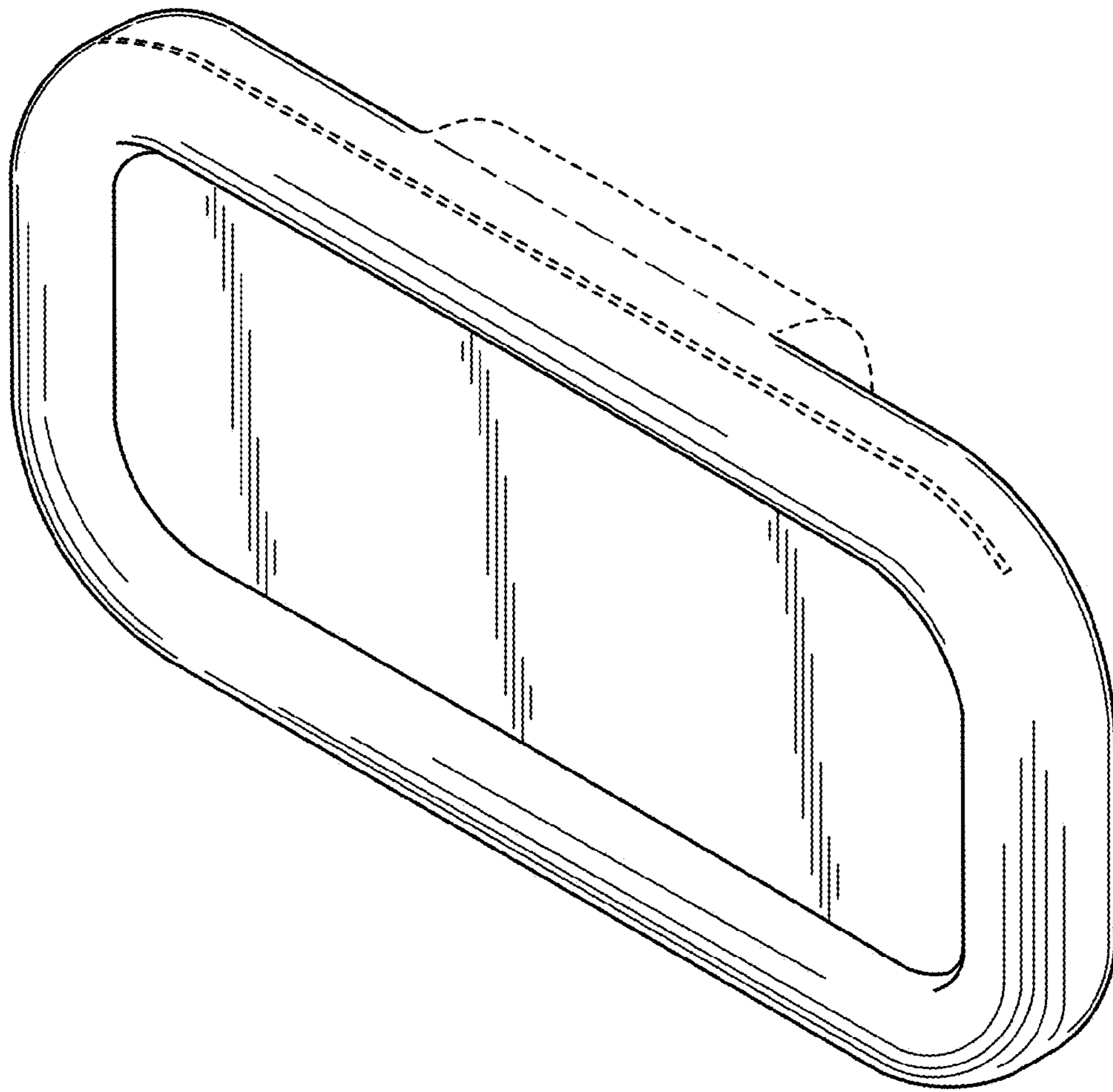


FIG. 1

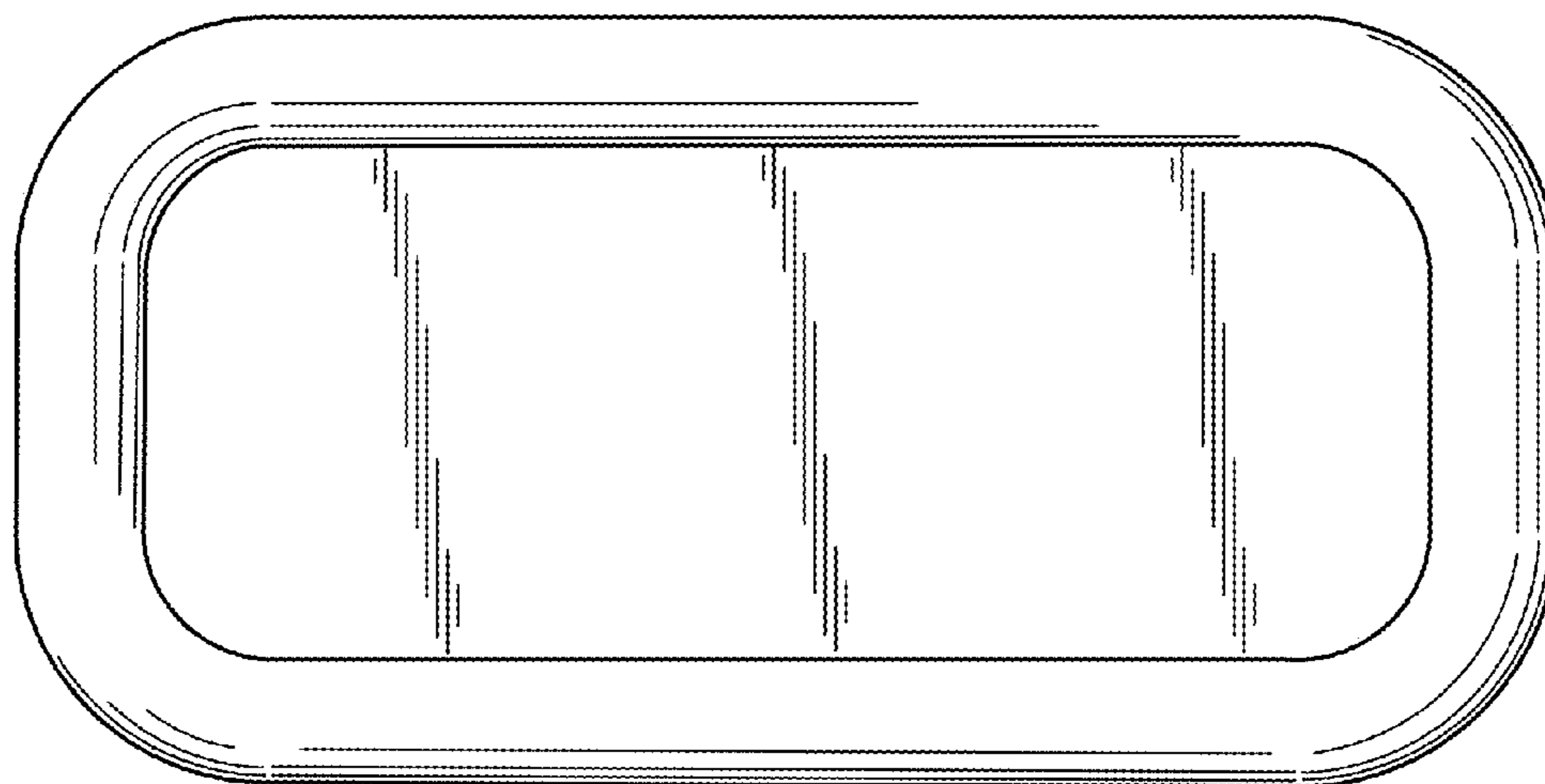


FIG. 2

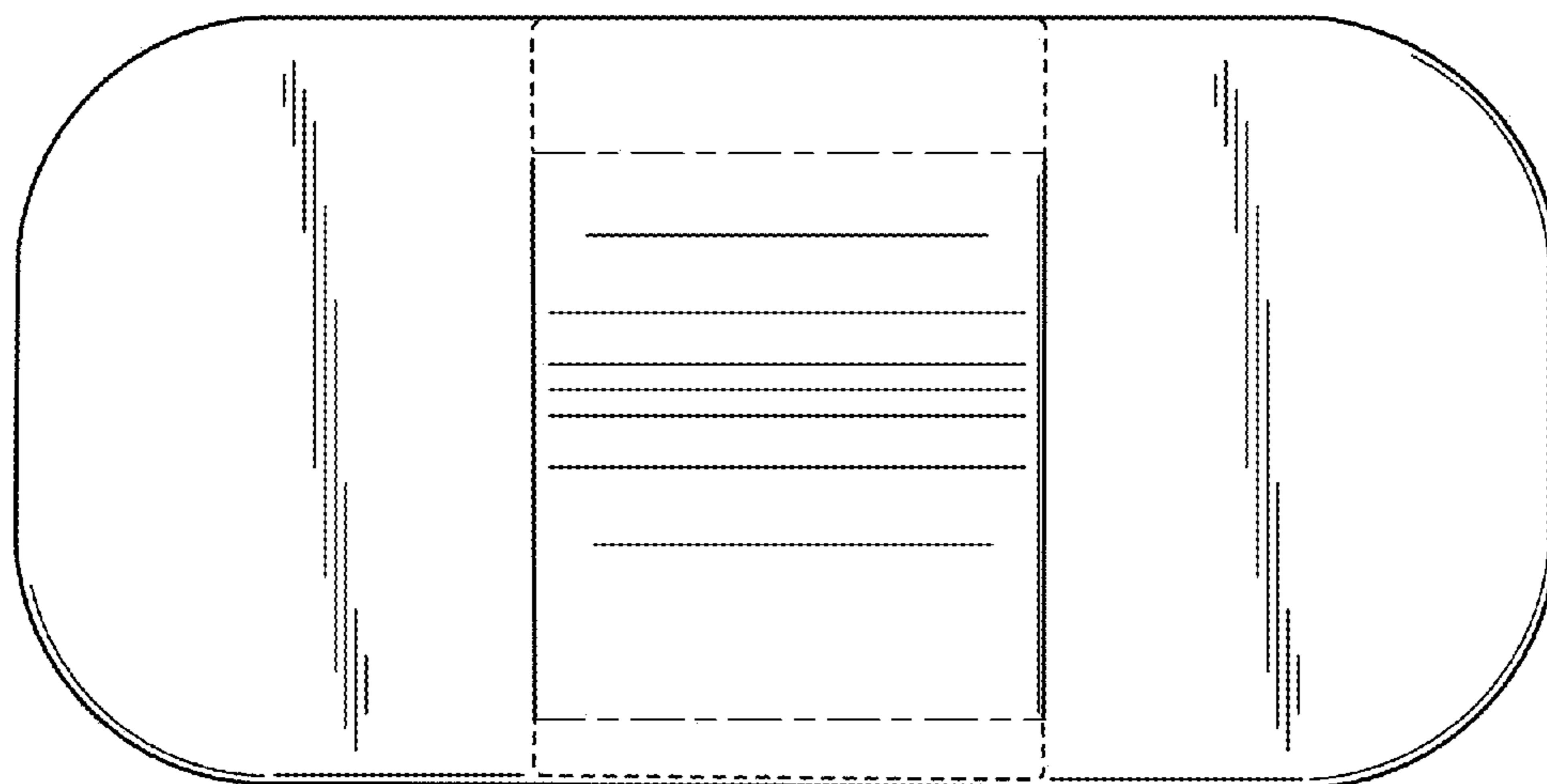


FIG. 3

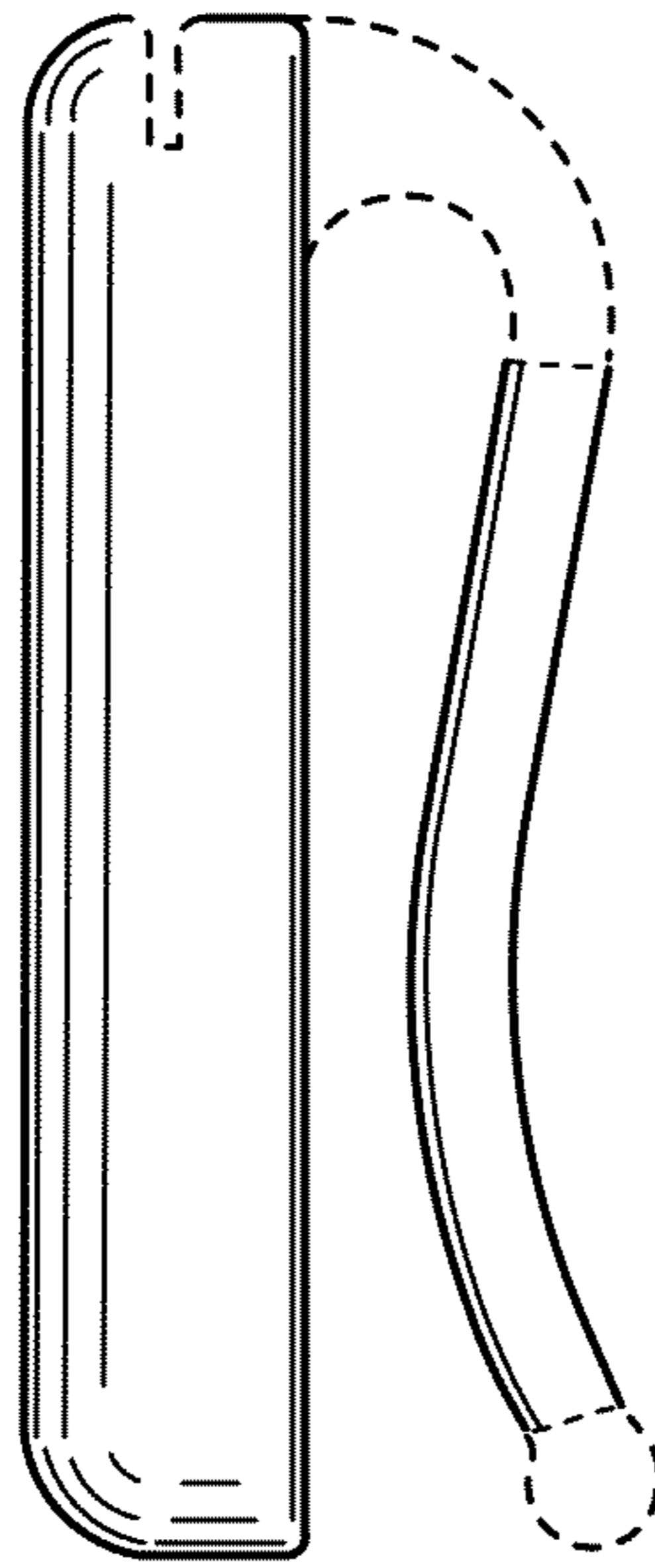


FIG. 4



FIG. 5

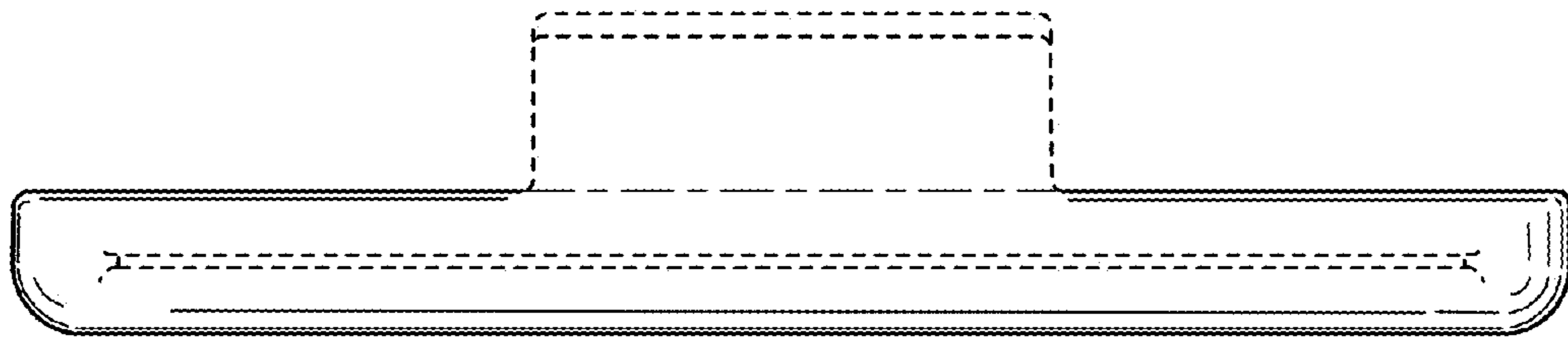


FIG. 6



FIG. 7

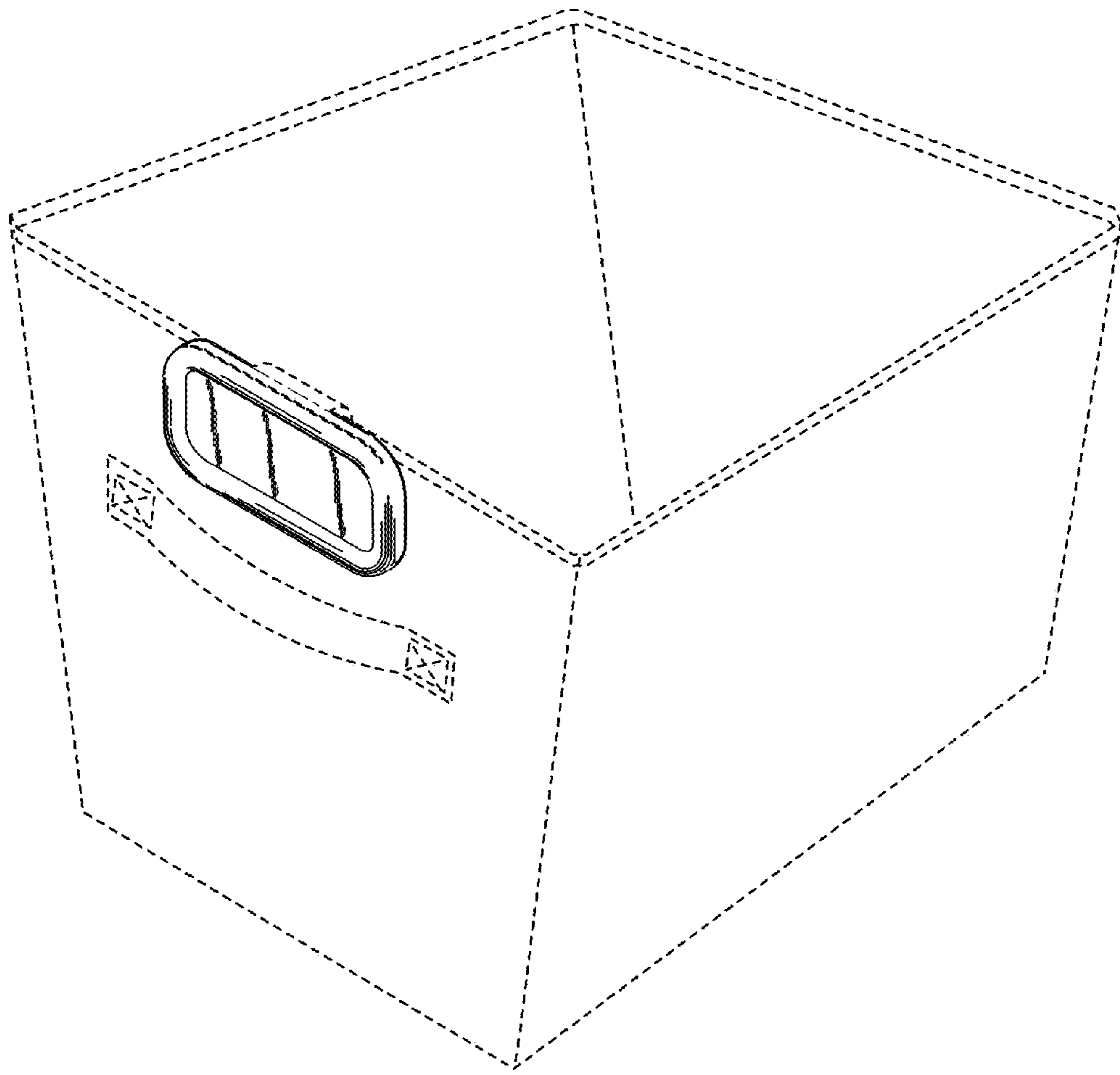


FIG. 8