



US00D682664S

(12) **United States Design Patent**
Gilboe et al.

(10) **Patent No.:** **US D682,664 S**

(45) **Date of Patent:** **** May 21, 2013**

(54) **HANGER**

(75) Inventors: **Kevin J. Gilboe**, Woodbury, MN (US);
Angela L. Pan, Woodbury, MN (US);
Craig D. Thompson, Inver Grove
Heights, MN (US); **Jeremy A. Abel**,
Oswego, IL (US); **Matthew J.**
Nettenstrom, Streamwood, IL (US)

(73) Assignee: **3M Innovative Properties Company**,
St. Paul, MN (US)

(**) Term: **14 Years**

(21) Appl. No.: **29/423,909**

(22) Filed: **Jun. 6, 2012**

(51) **LOC (9) Cl.** **08-05**

(52) **U.S. Cl.**
USPC **D8/367**

(58) **Field of Classification Search** D8/367,
D8/372, 354, 349, 351; 248/508, 354.7,
248/340, 301, 304, 302; D21/662; 294/143;
211/118; 16/87.2, 87.8, 330; 24/DIG. 11;
402/79; D22/144; D6/323, 320, 315
See application file for complete search history.

(56) **References Cited**

U.S. PATENT DOCUMENTS

D242,524	S	*	11/1976	Washburn	D8/371
D480,292	S	*	10/2003	Johansson et al.	D8/367
D486,057	S	*	2/2004	Chen	D8/367
D494,452	S	*	8/2004	Sheldon et al.	D8/367
D600,536	S	*	9/2009	Hager et al.	D8/367
D609,995	S	*	2/2010	Hager et al.	D8/367
D610,898	S	*	3/2010	Hager et al.	D8/367
D632,950	S	*	2/2011	McGreevy et al.	D8/367
D632,951	S	*	2/2011	McGreevy et al.	D8/367
D641,228	S	*	7/2011	Qiblawi et al.	D8/367
D641,229	S	*	7/2011	Qiblawi et al.	D8/367
D665,653	S	*	8/2012	Thompson et al.	D8/367

* cited by examiner

Primary Examiner — Cynthia Underwood

(74) *Attorney, Agent, or Firm* — Irina Hass

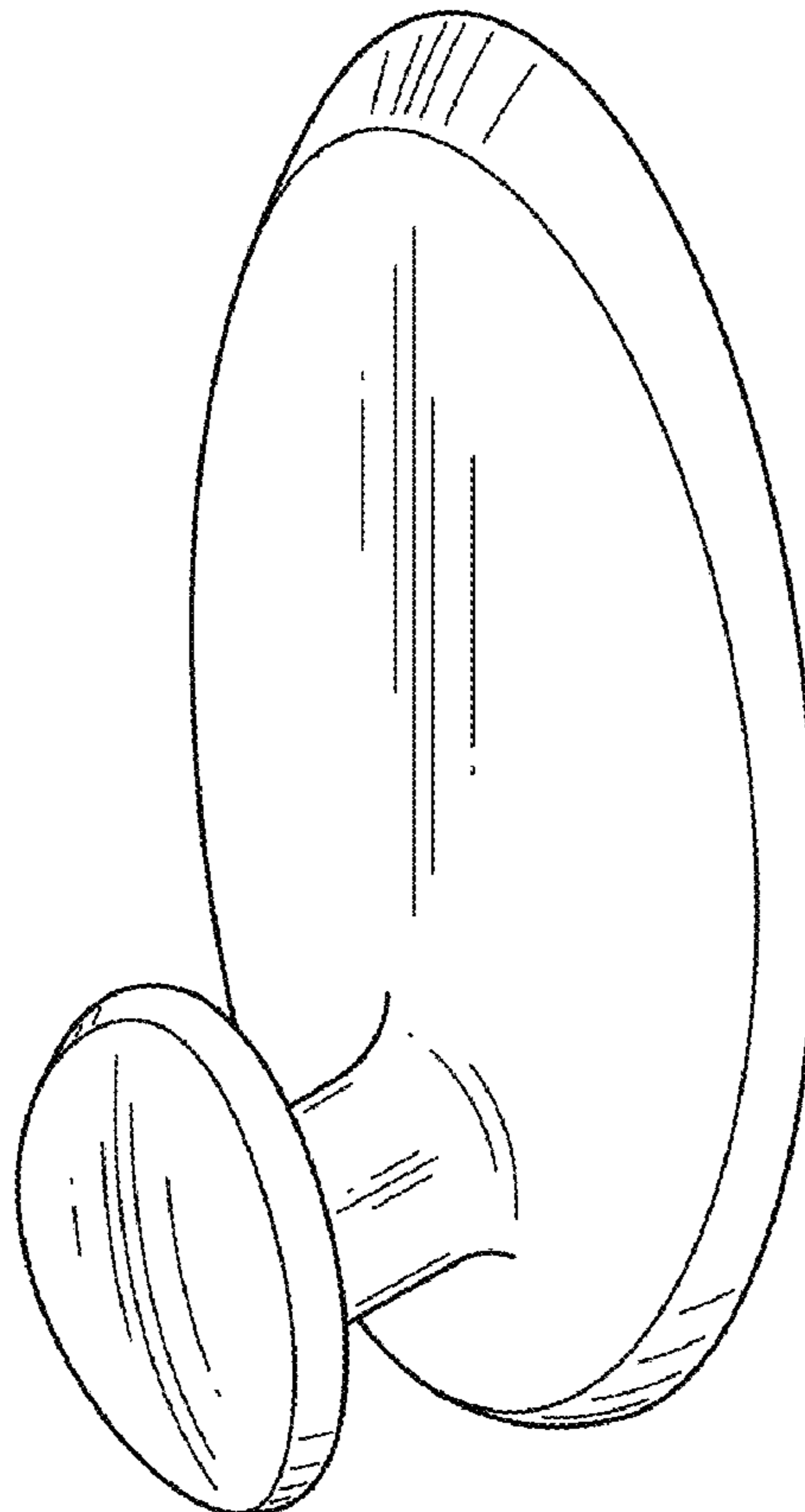
(57) **CLAIM**

The ornamental design for a hanger, as shown and described.

DESCRIPTION

FIG. 1 is a perspective view showing the new design for a hanger;
FIG. 2 is a front view thereof;
FIG. 3 is a right side view thereof, a left side view being a mirror image thereof;
FIG. 4 is a rear view thereof;
FIG. 5 is a bottom view thereof; and,
FIG. 6 is a top view thereof.

1 Claim, 2 Drawing Sheets



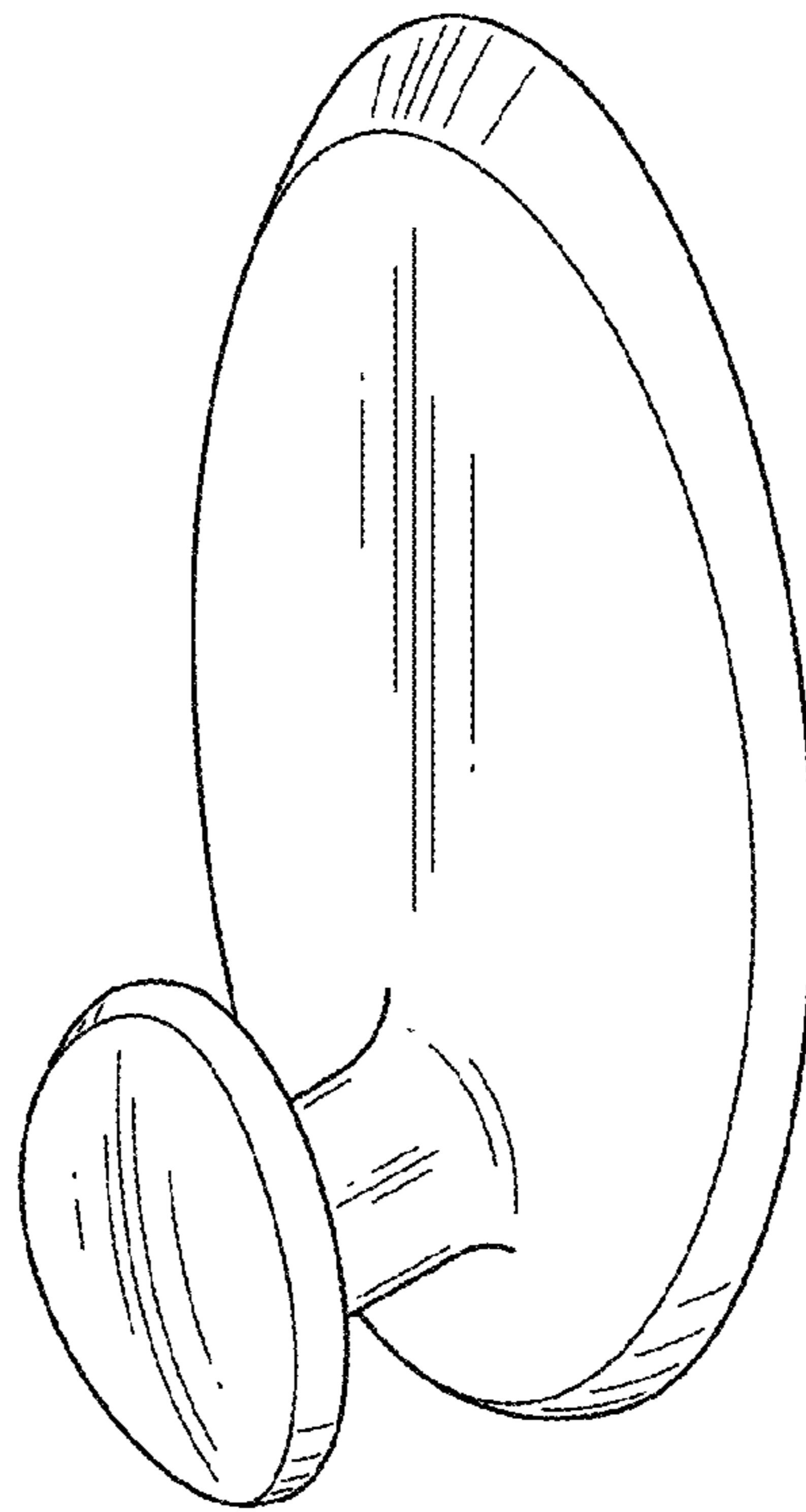


FIG. 1

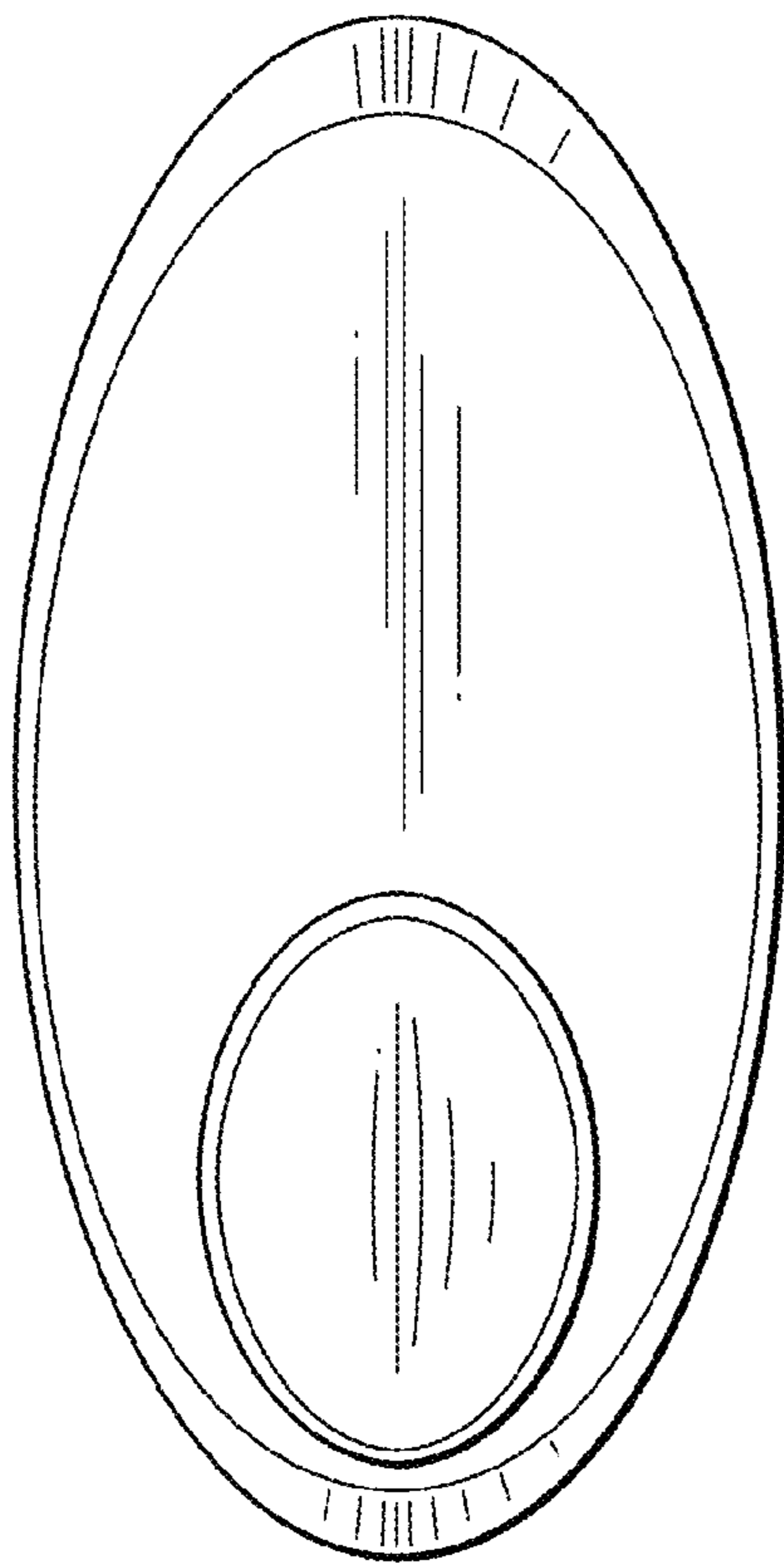


FIG. 2

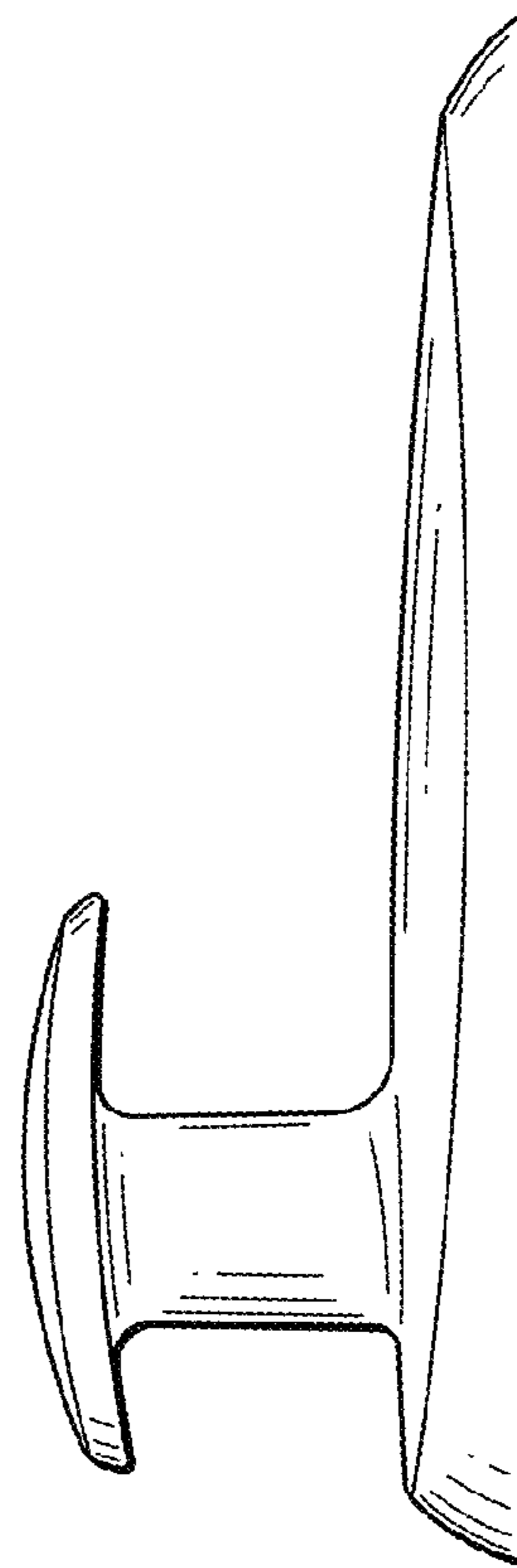


FIG. 3

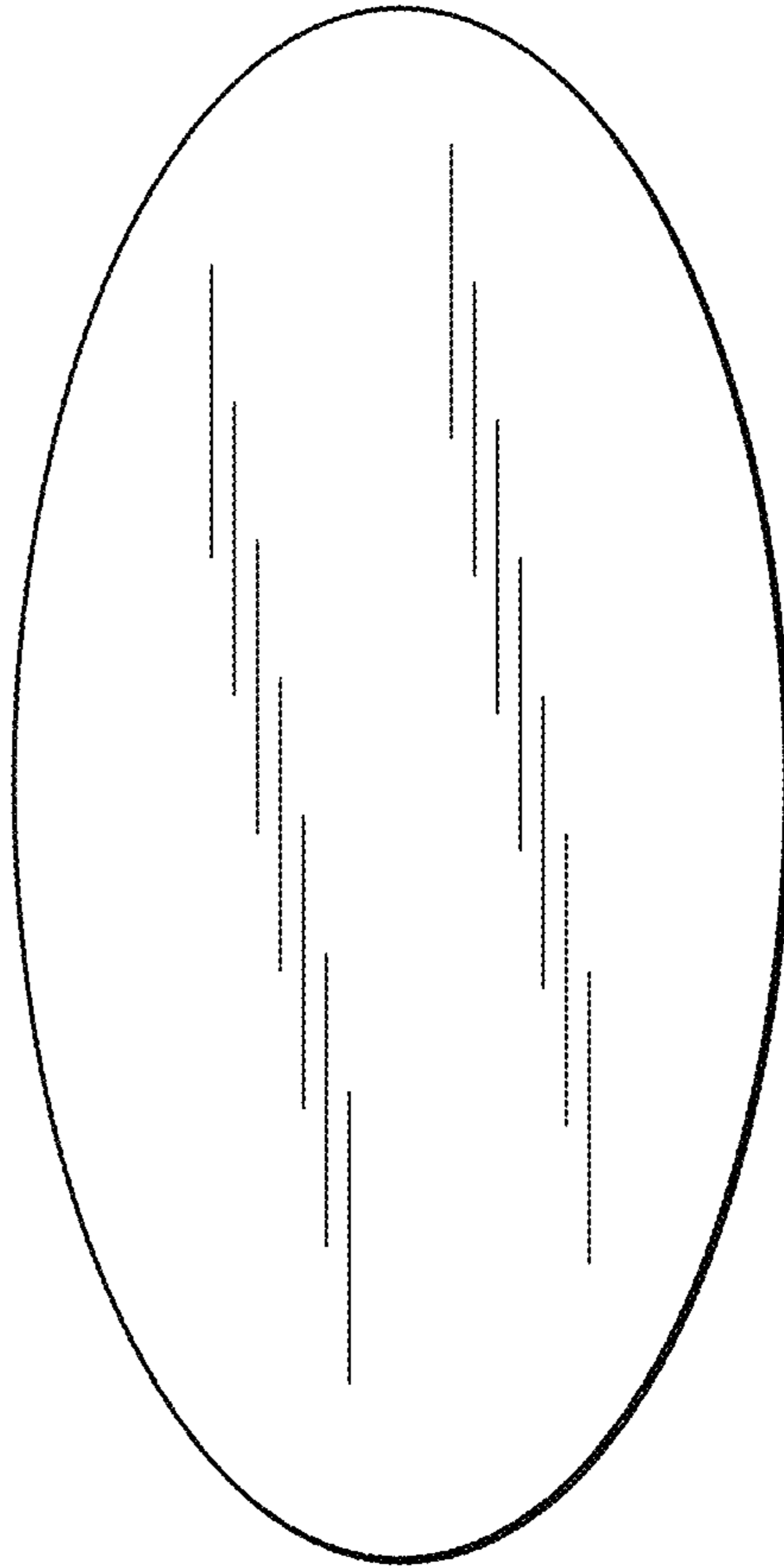


FIG. 4

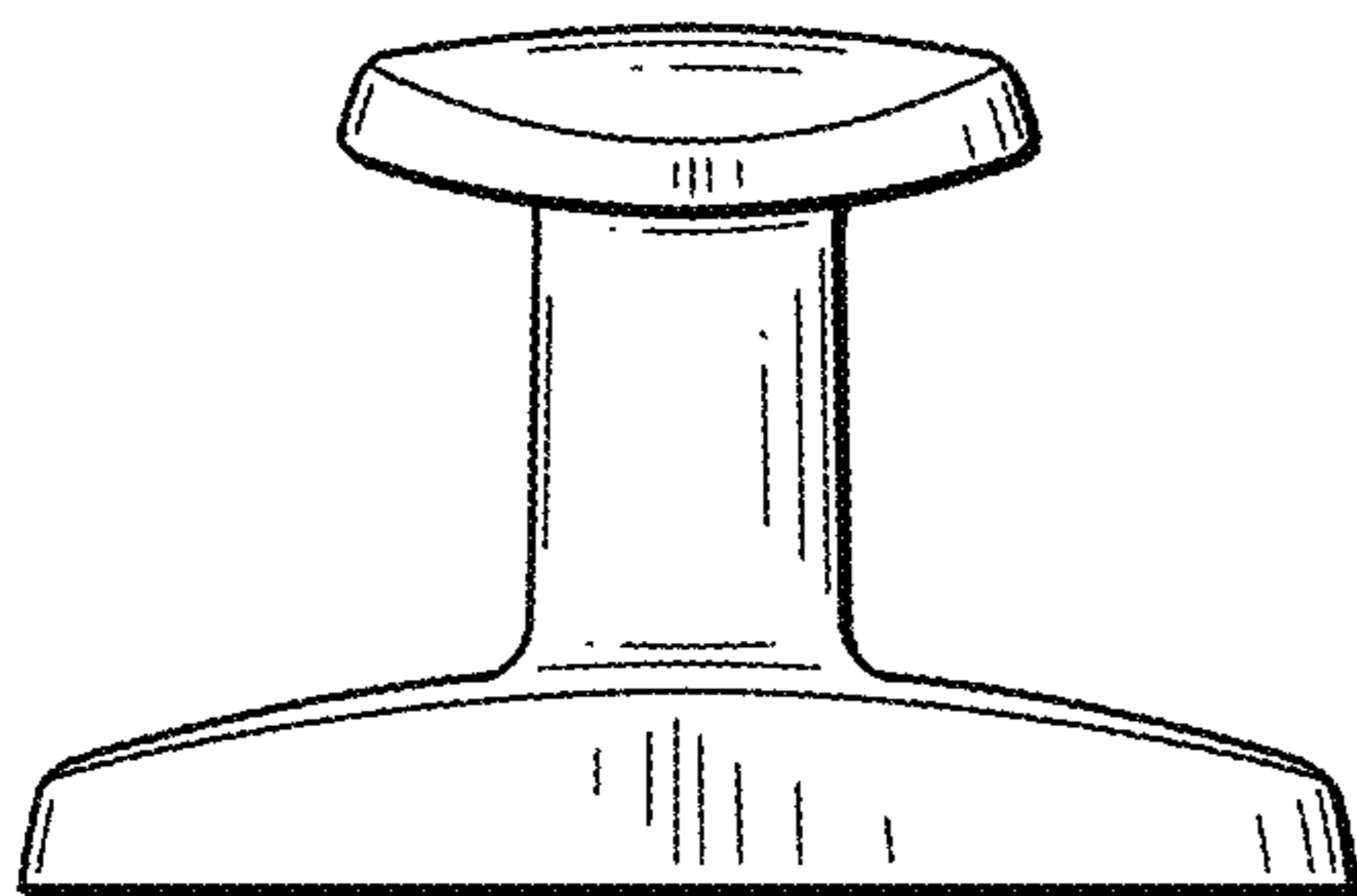


FIG. 5

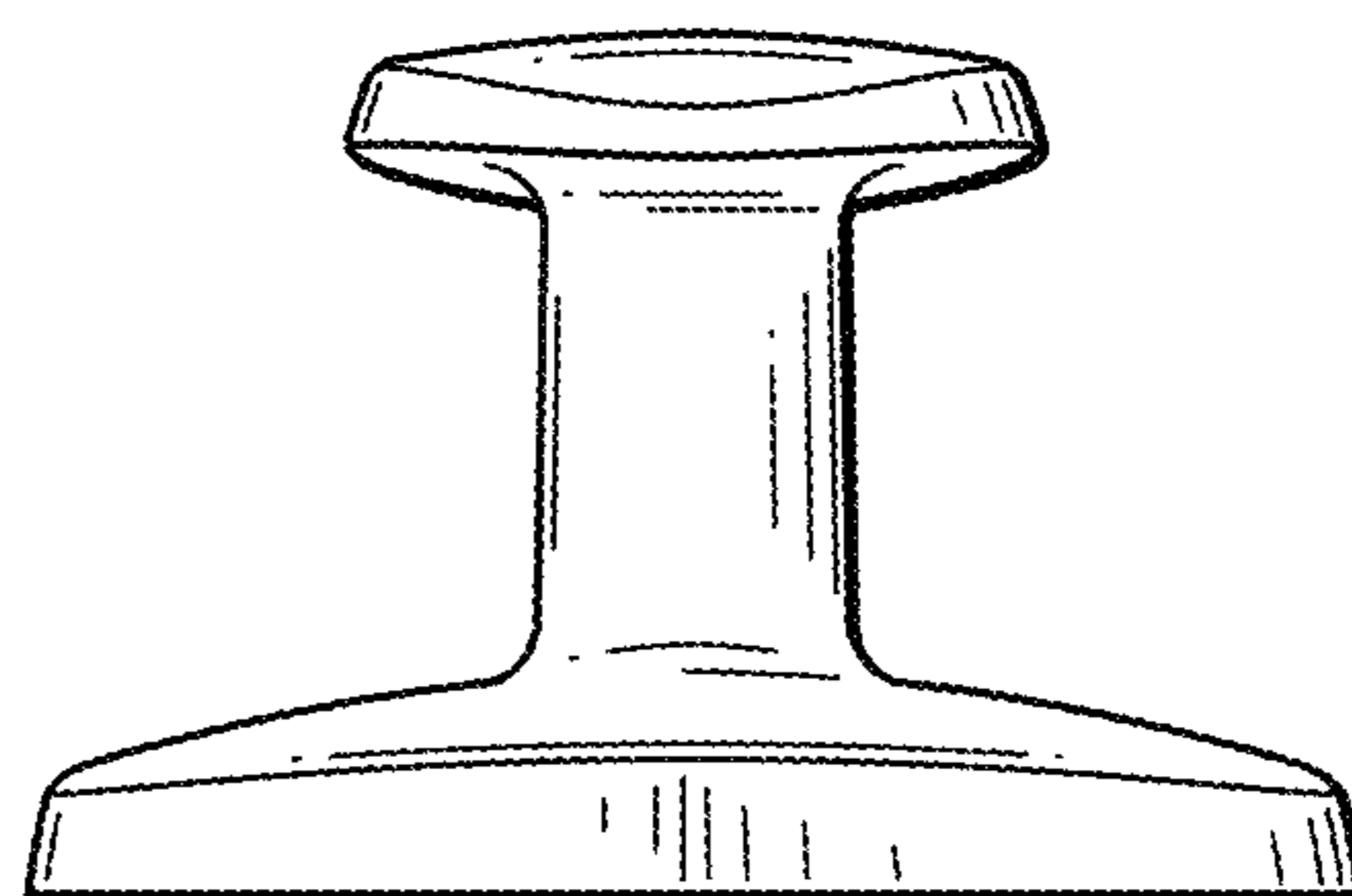


FIG. 6