



US00D682663S

(12) **United States Design Patent**  
**Evon**

(10) **Patent No.:** **US D682,663 S**

(45) **Date of Patent:** **\*\* May 21, 2013**

(54) **HOOK**

(75) Inventor: **Marc Evon**, Windsor (CA)

(73) Assignee: **Marc Evon Enterprises Inc.** (CA)

(\*\*) Term: **14 Years**

(21) Appl. No.: **29/398,377**

(22) Filed: **Jul. 29, 2011**

(30) **Foreign Application Priority Data**

Jan. 31, 2011 (CA) ..... 139002

(51) **LOC (9) Cl.** ..... **08-05**

(52) **U.S. Cl.**  
USPC ..... **D8/367**

(58) **Field of Classification Search** ..... D8/356,  
D8/354, 349, 360, 355, 361, 362, 366, 367,  
D8/380, 373, 377, 395, 371; 411/431, 372.5;  
248/304, 305, 339, 217.2, 493, 49, 215, 301;  
24/698, 265 H, 265 R, 599.1, 599.8, 113 R;  
294/16, 82.18; 138/106; D23/200, 262;  
D6/323, 547; 160/349.1, 349.2; 223/106  
See application file for complete search history.

(56) **References Cited**

**U.S. PATENT DOCUMENTS**

1,886,882 A \* 11/1932 Huber ..... 24/698.1  
4,026,510 A \* 5/1977 Holmes ..... 248/493  
D247,216 S \* 2/1978 Mathews ..... D8/356

D289,139 S \* 4/1987 Chasen ..... D8/367  
5,207,403 A \* 5/1993 Penniman ..... 248/215  
D374,602 S \* 10/1996 Protz, Jr. .... D8/367  
D393,412 S \* 4/1998 Bries et al. .... D8/367  
D494,452 S \* 8/2004 Sheldon et al. .... D8/367  
D511,088 S \* 11/2005 Chiu ..... D8/367  
D538,137 S \* 3/2007 Dukes ..... D8/356  
D556,021 S \* 11/2007 Sexton ..... D8/356  
D566,532 S \* 4/2008 Wolff ..... D8/367  
D571,190 S \* 6/2008 Spadotto ..... D8/356  
D602,767 S \* 10/2009 Chiu ..... D8/367  
D603,688 S \* 11/2009 Chiu ..... D8/367  
D641,614 S \* 7/2011 Pontaoe ..... D8/394

\* cited by examiner

*Primary Examiner* — Cynthia Underwood

(74) *Attorney, Agent, or Firm* — Hahn Loeser & Parks LLP;  
Louis F. Wagner

(57) **CLAIM**

The ornamental design for a hook, as shown and described.

**DESCRIPTION**

FIG. 1 is a perspective view of the hook from the front, left side and bottom;

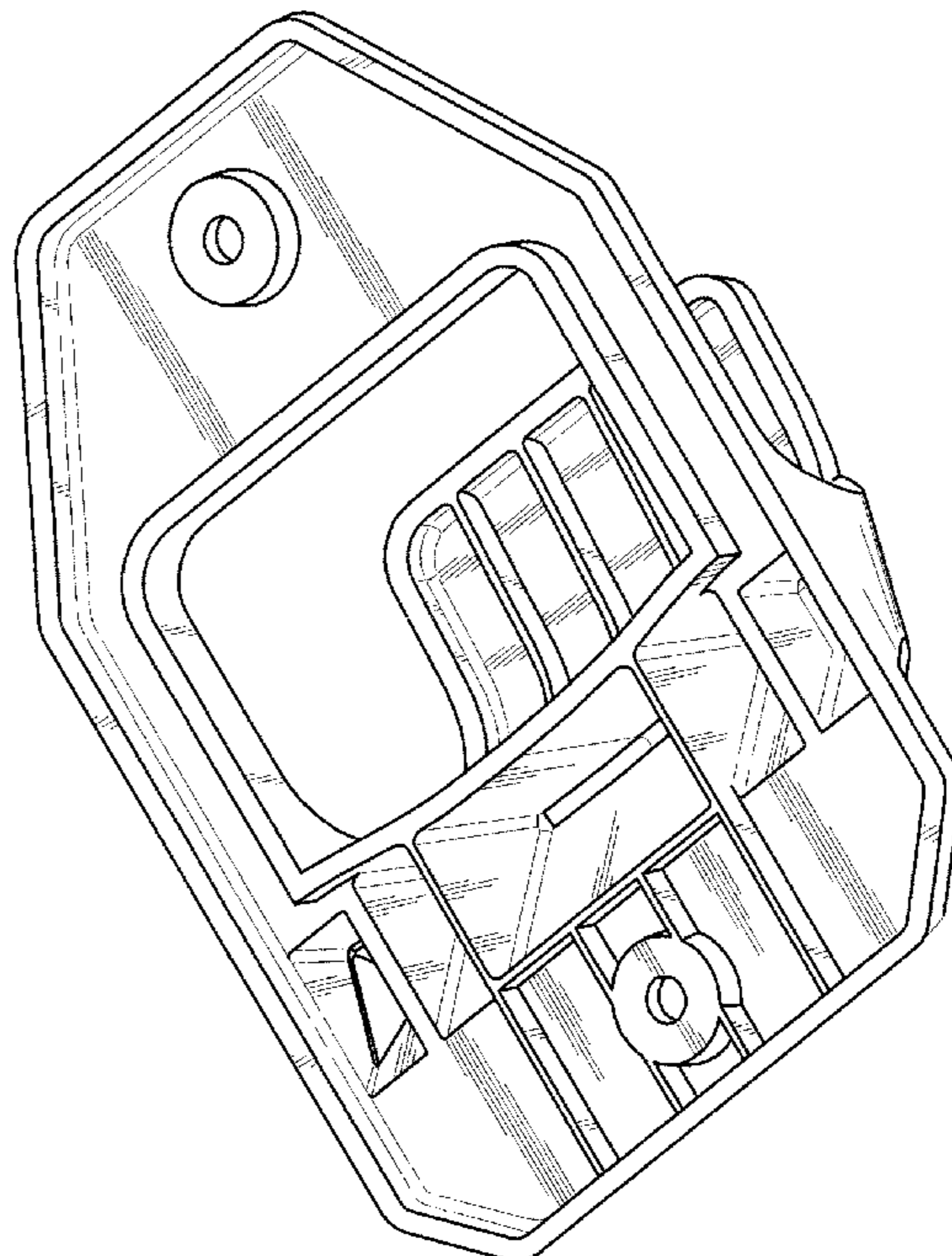
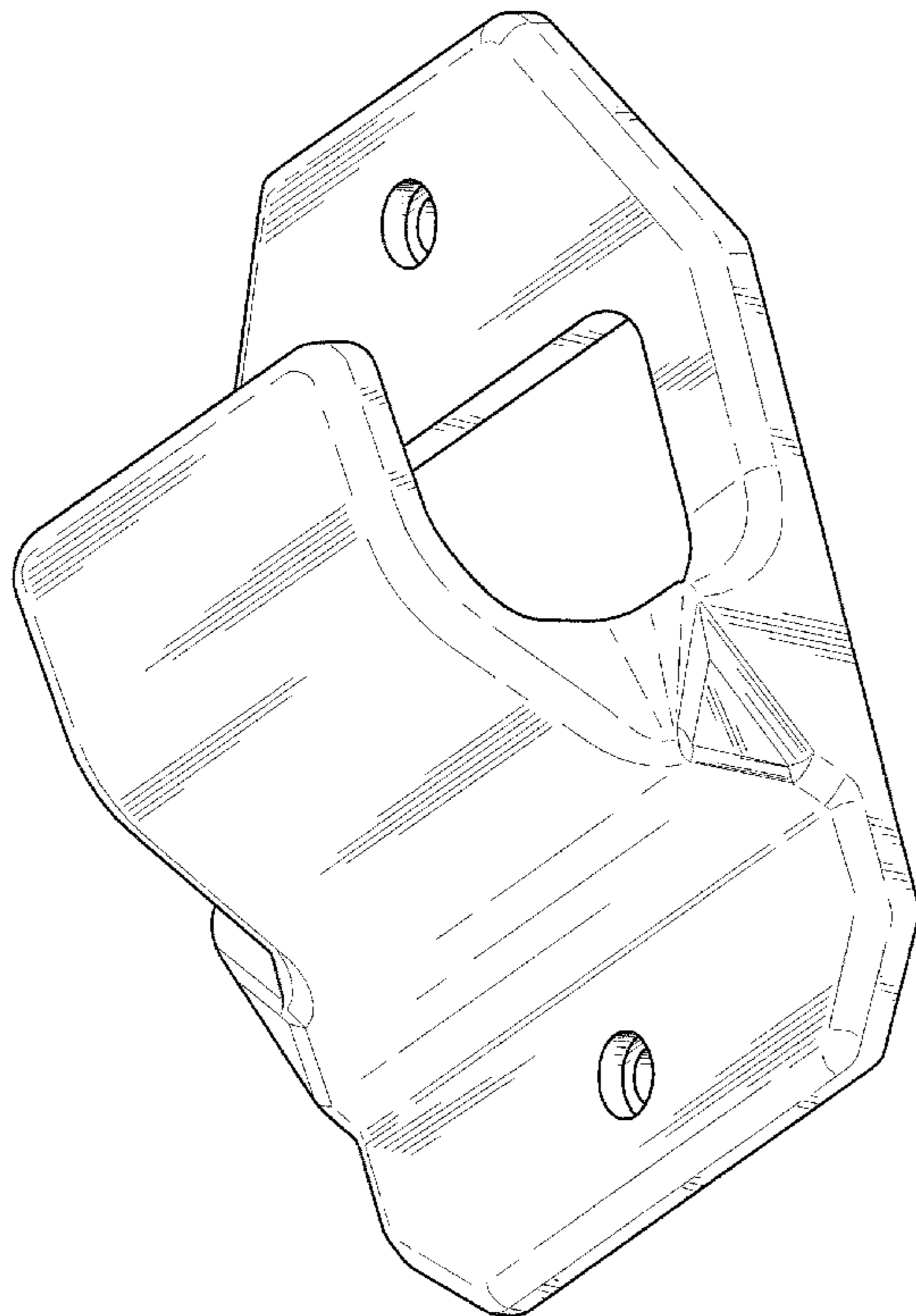
FIG. 2 is a perspective view of the hook from the rear, right side and bottom;

FIG. 3 is a front view of the hook;

FIG. 4 is a left-side view of the hook, the right-side view being a mirror image; and,

FIG. 5 is a front view of the hook shown in its intended environment of use with the broken line shovel forming no part of the claim.

**1 Claim, 5 Drawing Sheets**



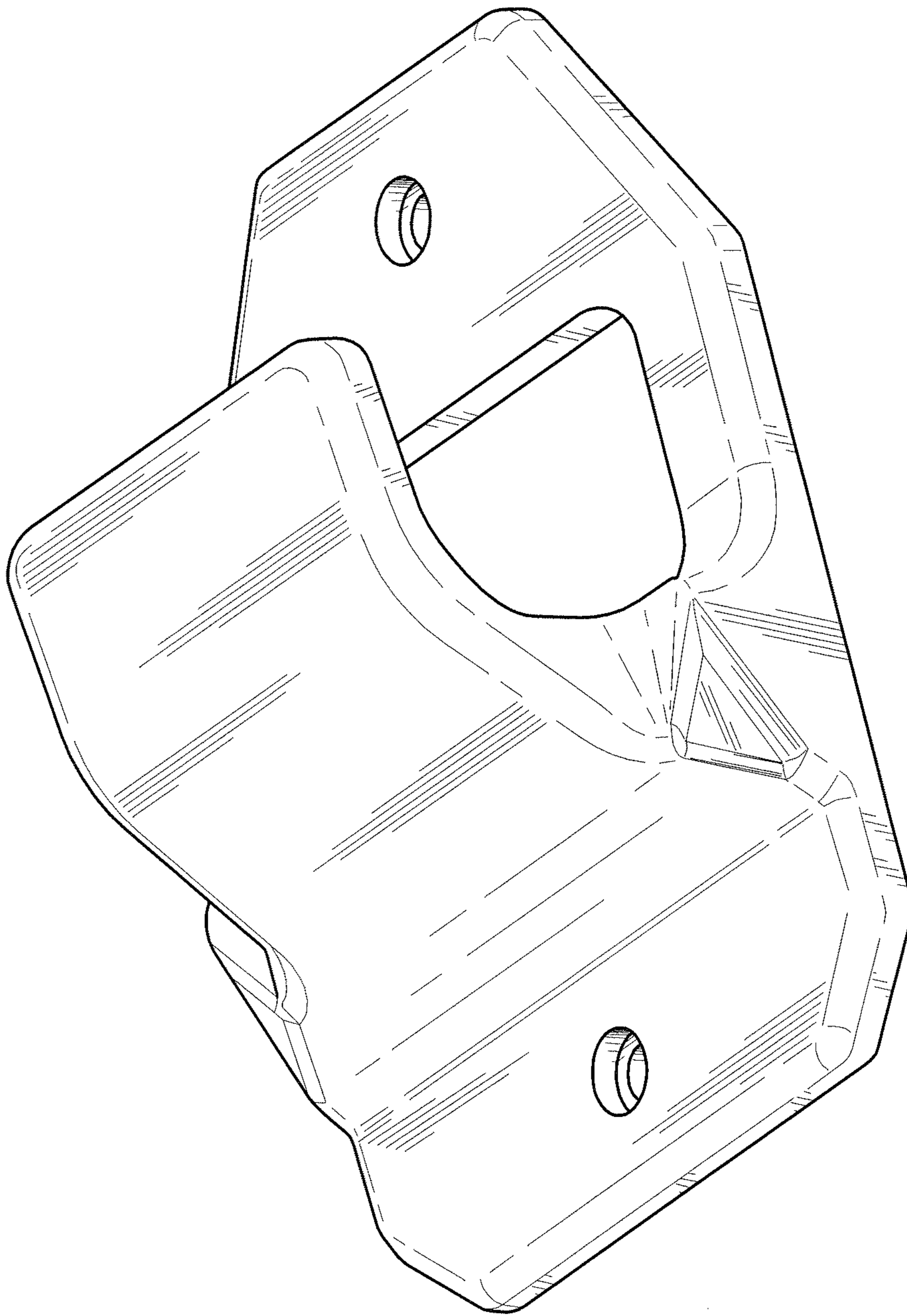


FIG. 1

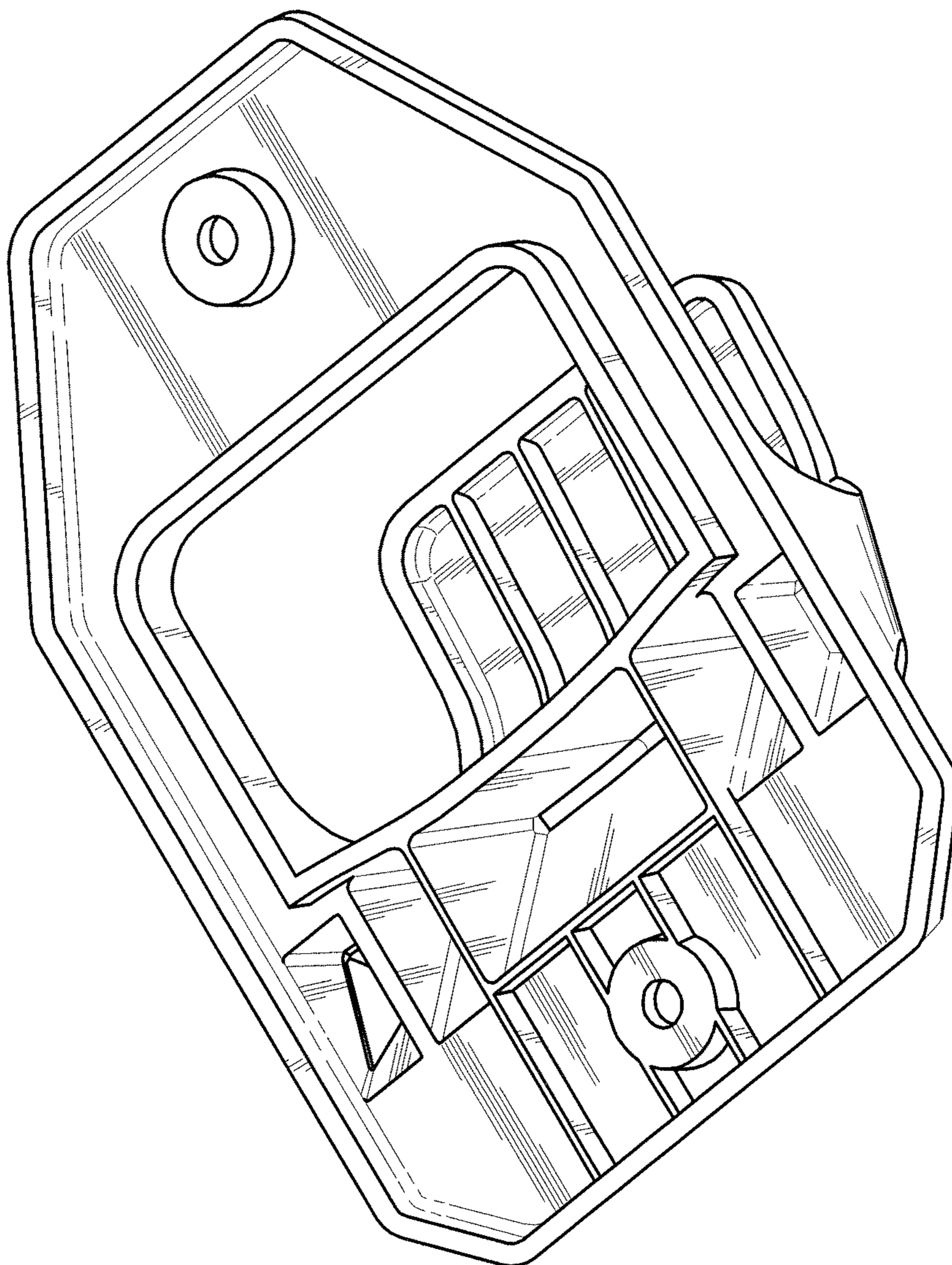


FIG. 2

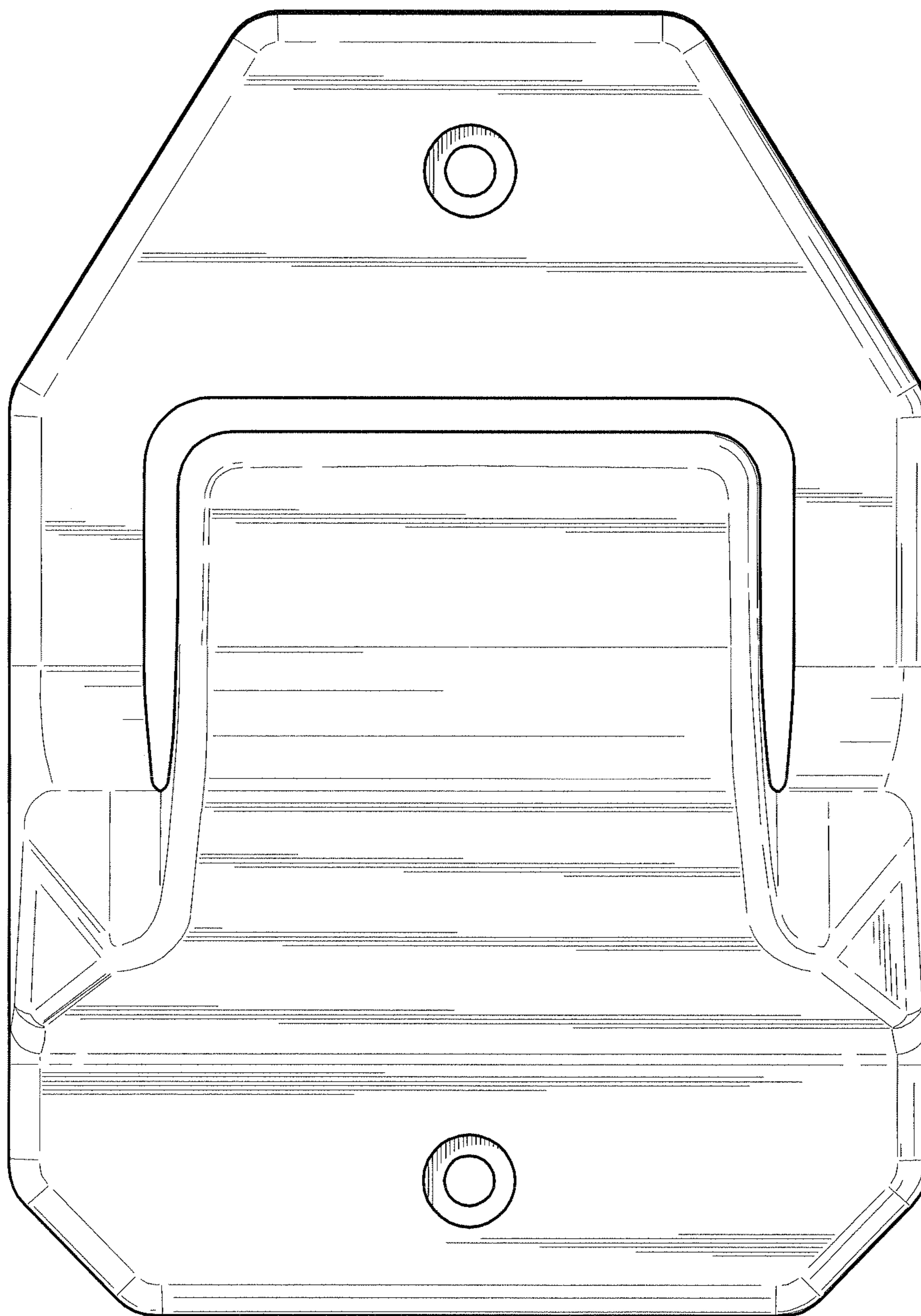


FIG. 3

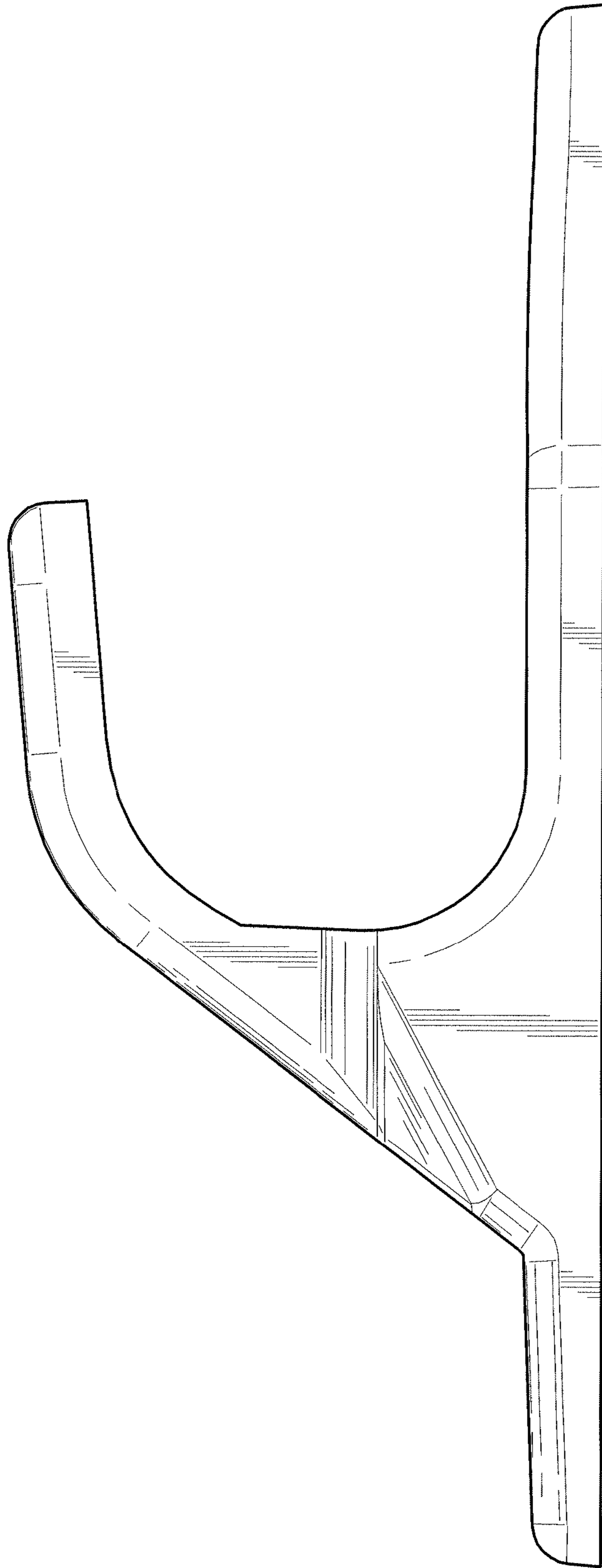


FIG. 4

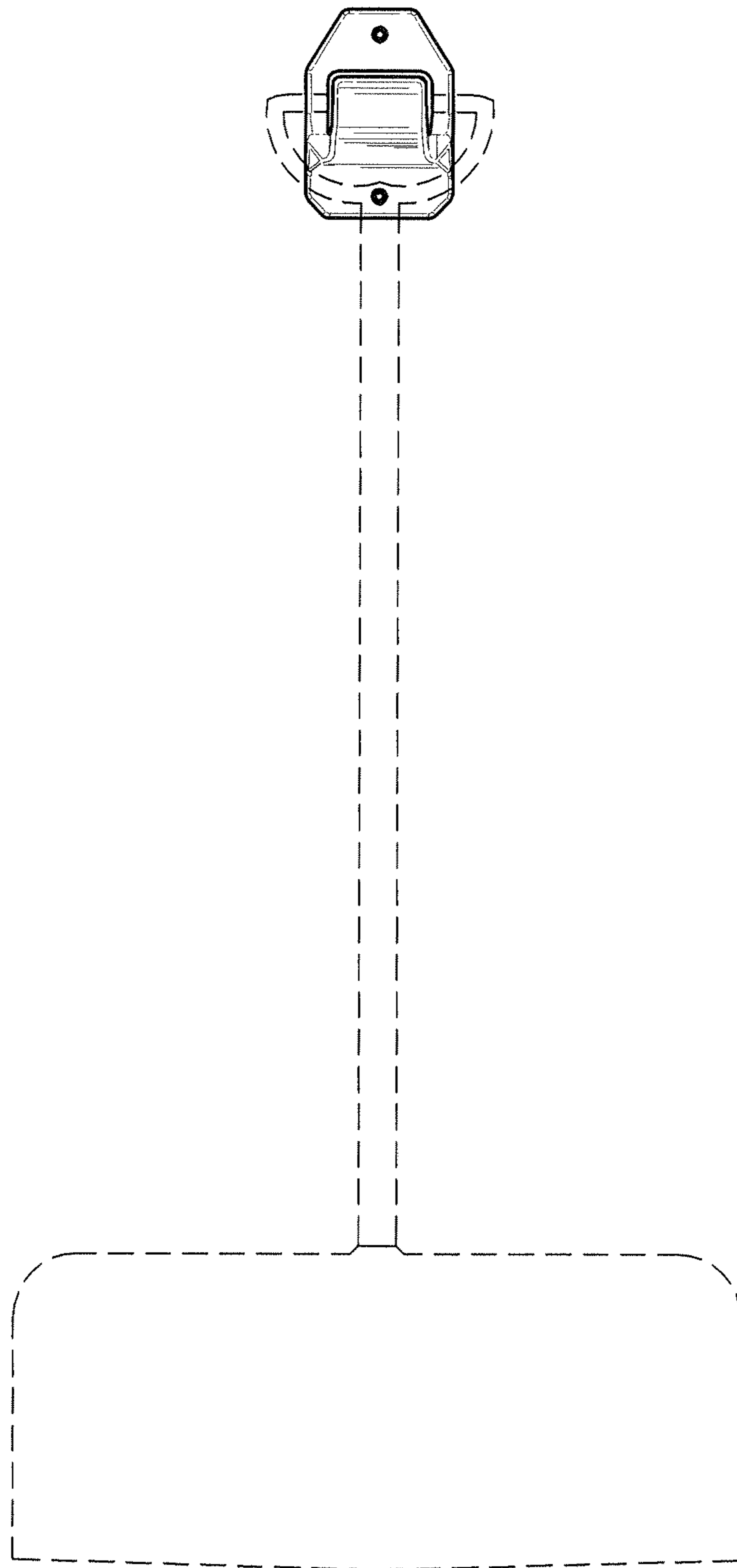


FIG. 5