



US00D682662S

(12) **United States Design Patent**
Bailey et al.

(10) **Patent No.:** **US D682,662 S**

(45) **Date of Patent:** **** May 21, 2013**

(54) **BASE FOR A DEVICE**

(71) Applicant: **FARO Technologies, Inc.**, Lake Mary, FL (US)

(72) Inventors: **Brent Bailey**, Winter Springs, FL (US);
David M. Danielson, Sorrento, FL (US)

(73) Assignee: **Faro Technologies, Inc.**, Lake Mary, FL (US)

(**) Term: **14 Years**

(21) Appl. No.: **29/435,881**

(22) Filed: **Oct. 30, 2012**

Related U.S. Application Data

(62) Division of application No. 29/379,172, filed on Nov. 16, 2010.

(51) **LOC (9) Cl.** **08-05**

(52) **U.S. Cl.**
USPC **D8/354**

(58) **Field of Classification Search** D8/349,
D8/354; D10/63; 33/503, 1 M; 248/309.1,
248/274.1, 284.1

See application file for complete search history.

(56) **References Cited**

U.S. PATENT DOCUMENTS

1,538,758	A	5/1925	Taylor
5,768,792	A	6/1998	Raab
5,926,782	A	7/1999	Raab
5,956,857	A	9/1999	Raab
5,978,748	A	11/1999	Raab
D423,534	S	4/2000	Raab et al.
6,131,299	A	10/2000	Raab et al.
6,151,789	A	11/2000	Raab et al.
D441,632	S	5/2001	Raab et al.
6,253,458	B1	7/2001	Raab et al.

6,366,831	B1	4/2002	Raab
6,497,394	B1	12/2002	Dunchock
D472,824	S	4/2003	Raab et al.
D479,544	S	9/2003	Raab et al.
D490,831	S	6/2004	Raab et al.
D491,210	S	6/2004	Raab et al.
6,931,745	B2	8/2005	Granger
7,024,032	B2	4/2006	Kidd et al.

(Continued)

FOREIGN PATENT DOCUMENTS

EP	2068067	6/2009
EP	2068114	6/2009
WO	2009130169	10/2009

Primary Examiner — Mark Goodwin

(74) *Attorney, Agent, or Firm* — Cantor Colburn LLP

(57) **CLAIM**

We claim, the ornamental design for a base for a device, as shown and described.

DESCRIPTION

FIG. 1 is a top perspective view of a base for a device showing our new design;

FIG. 2 is a front view thereof, the rear view being a mirror image thereof;

FIG. 3 is a first side view thereof;

FIG. 4 is a second side view thereof;

FIG. 5 is a top plan view thereof;

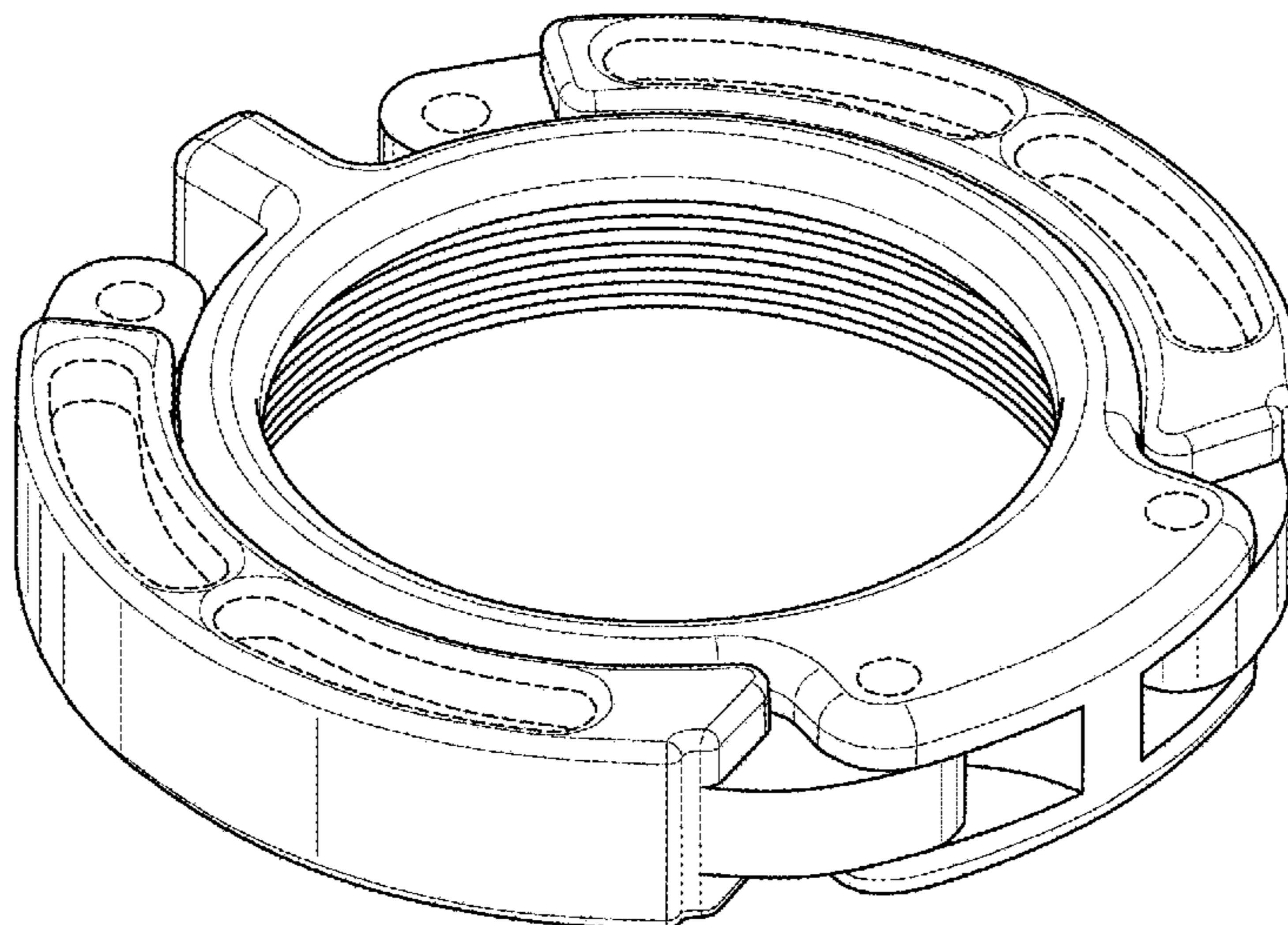
FIG. 6 is a bottom plan view thereof;

FIG. 7 is a top perspective view of FIG. 1 shown in an open position thereof; and,

FIG. 8 is a bottom perspective view thereof shown in use condition.

The broken line showing of various surface features is included for the purpose of illustrating portions of a base for a device and the broken line showing of a device in FIG. 8 is for illustrative purposes only and forms no part of the claimed design.

1 Claim, 6 Drawing Sheets



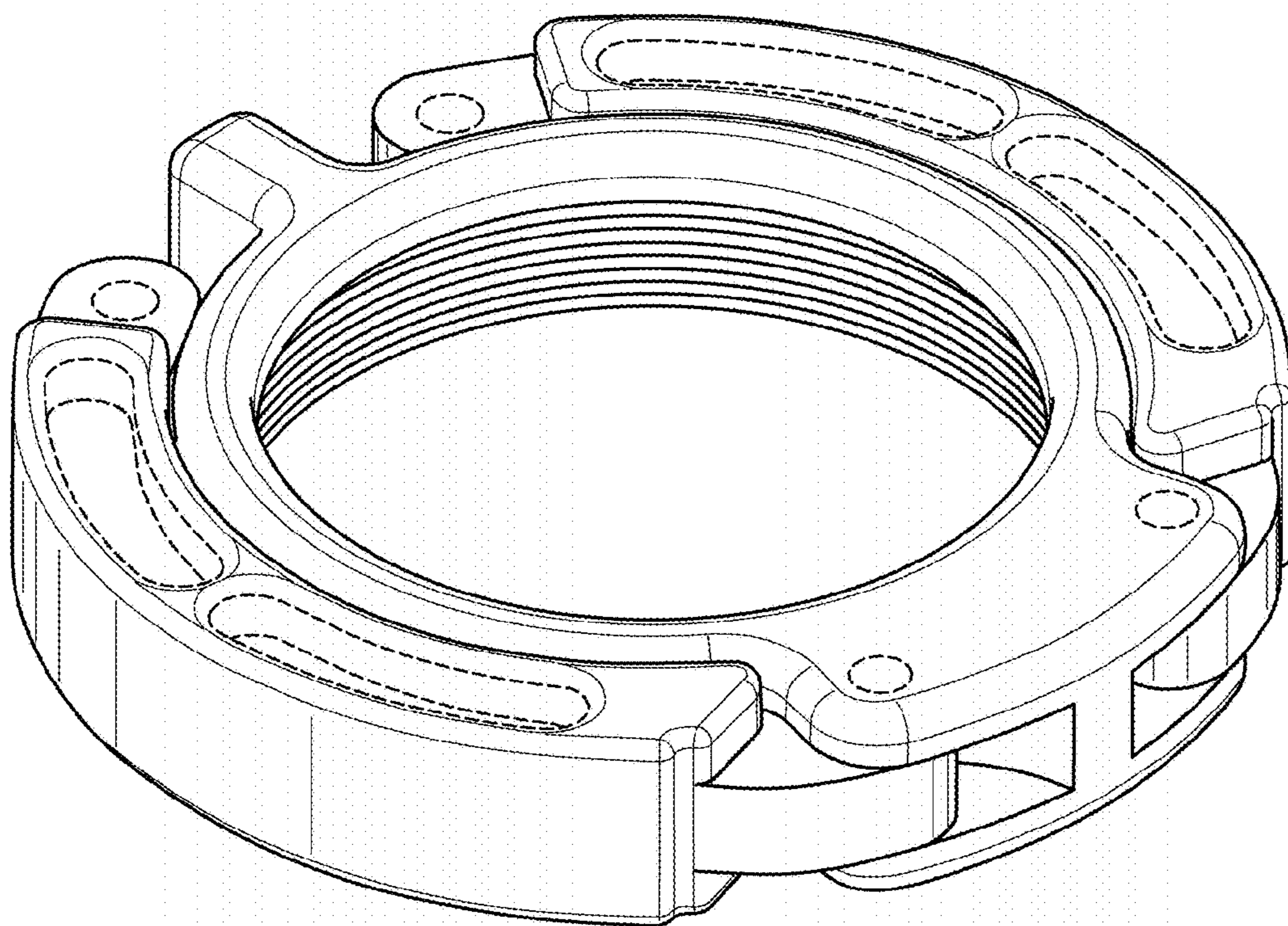


FIG. 1

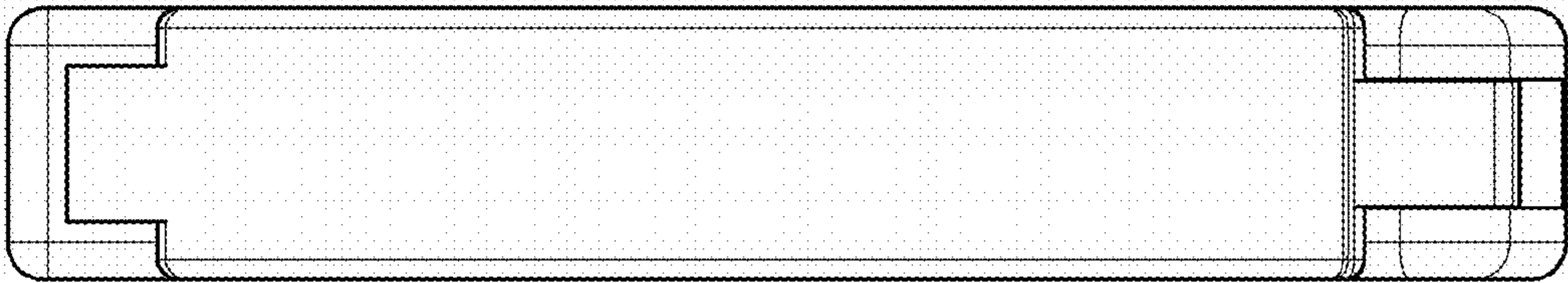


FIG. 2

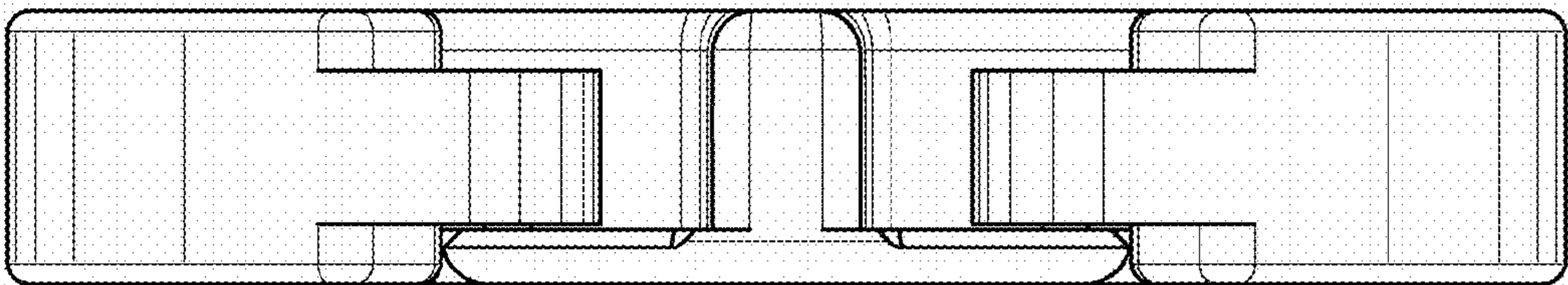


FIG. 3

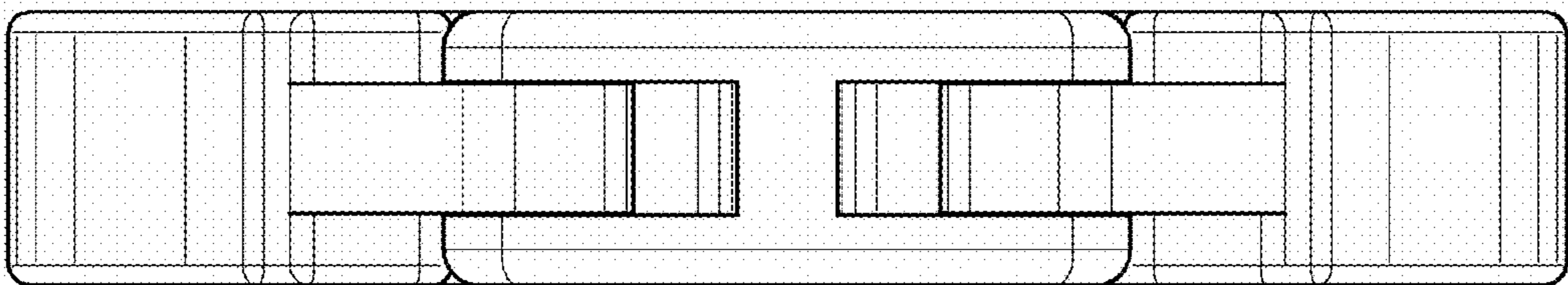


FIG. 4

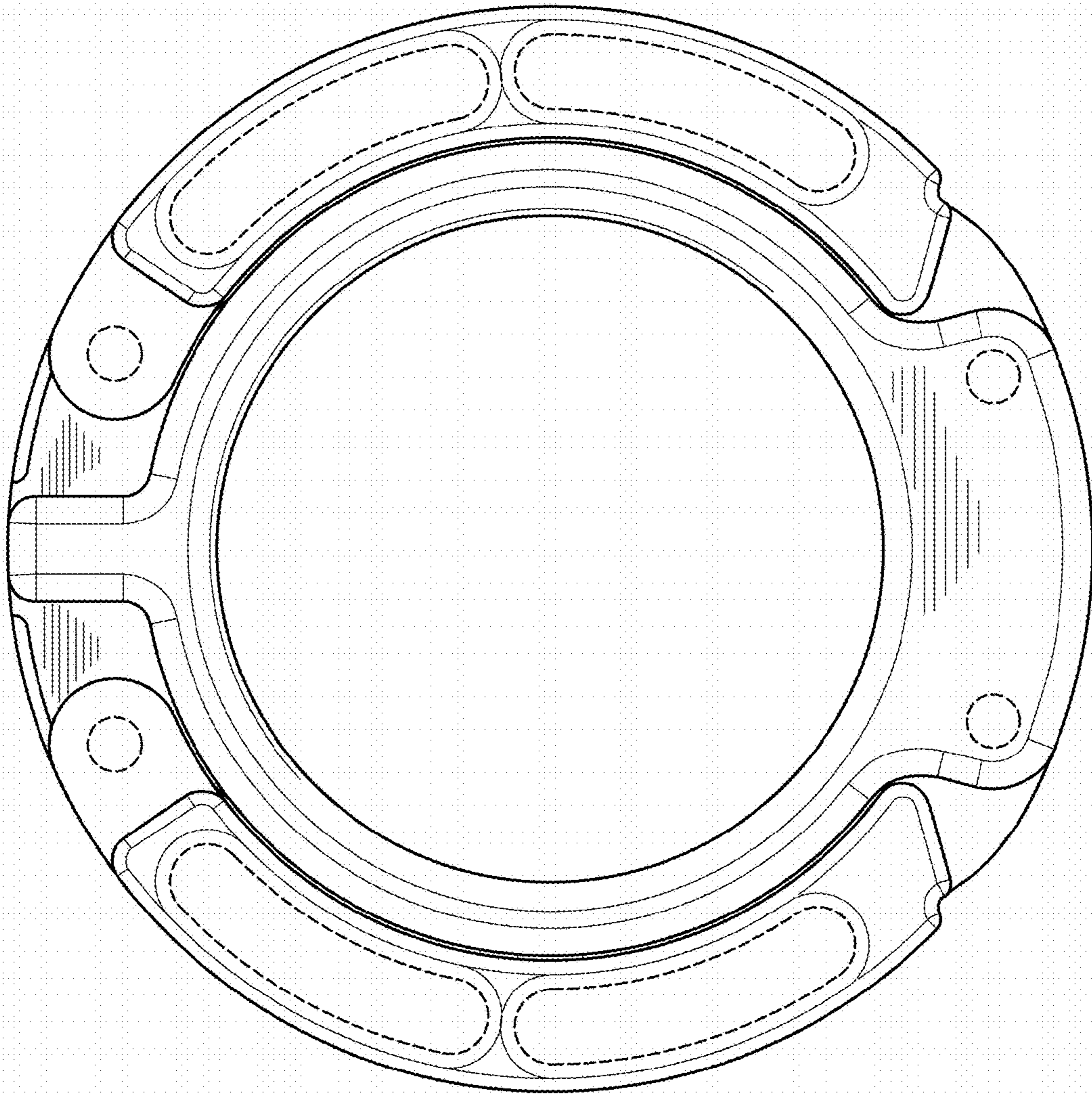


FIG. 5

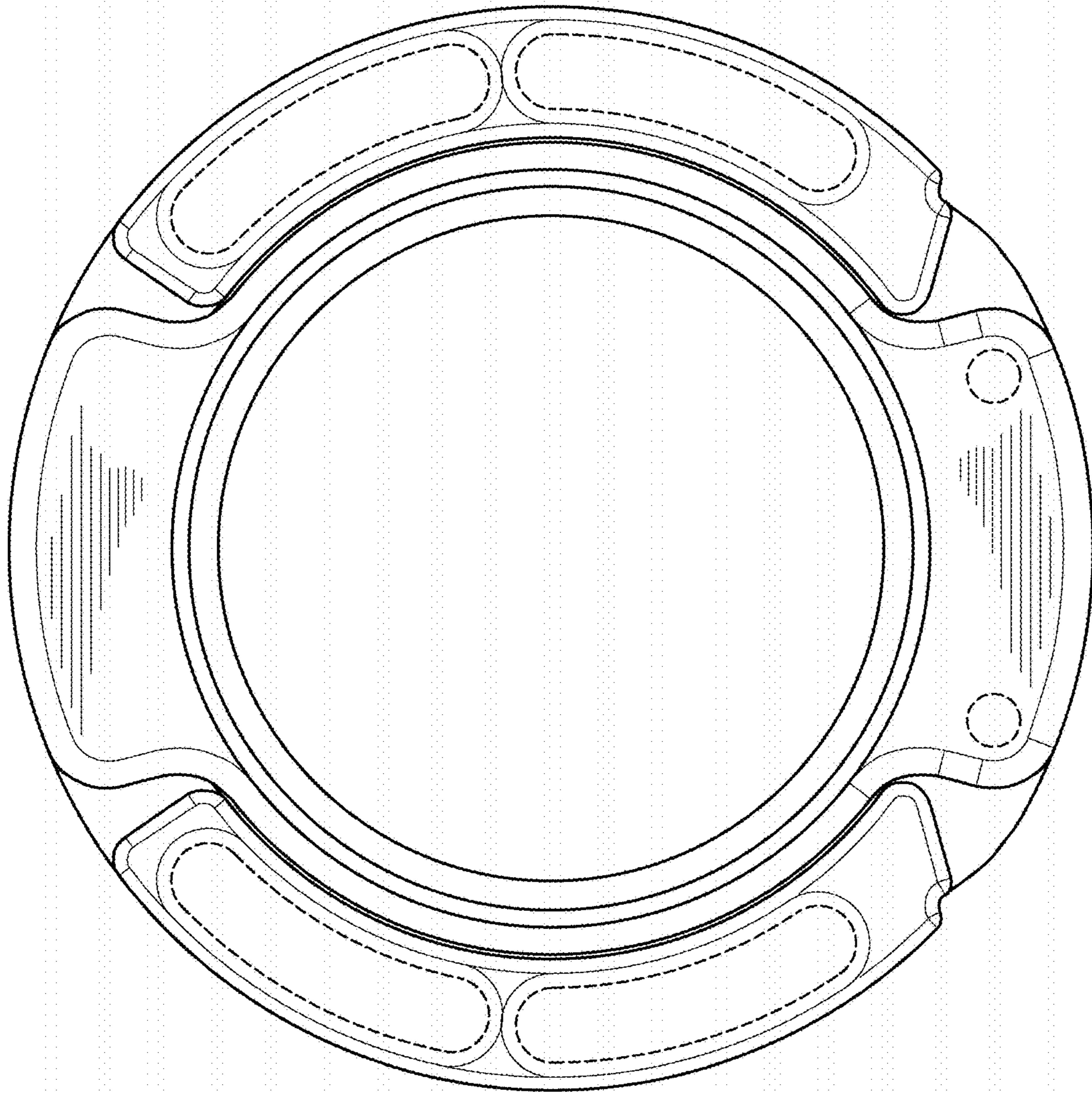


FIG. 6

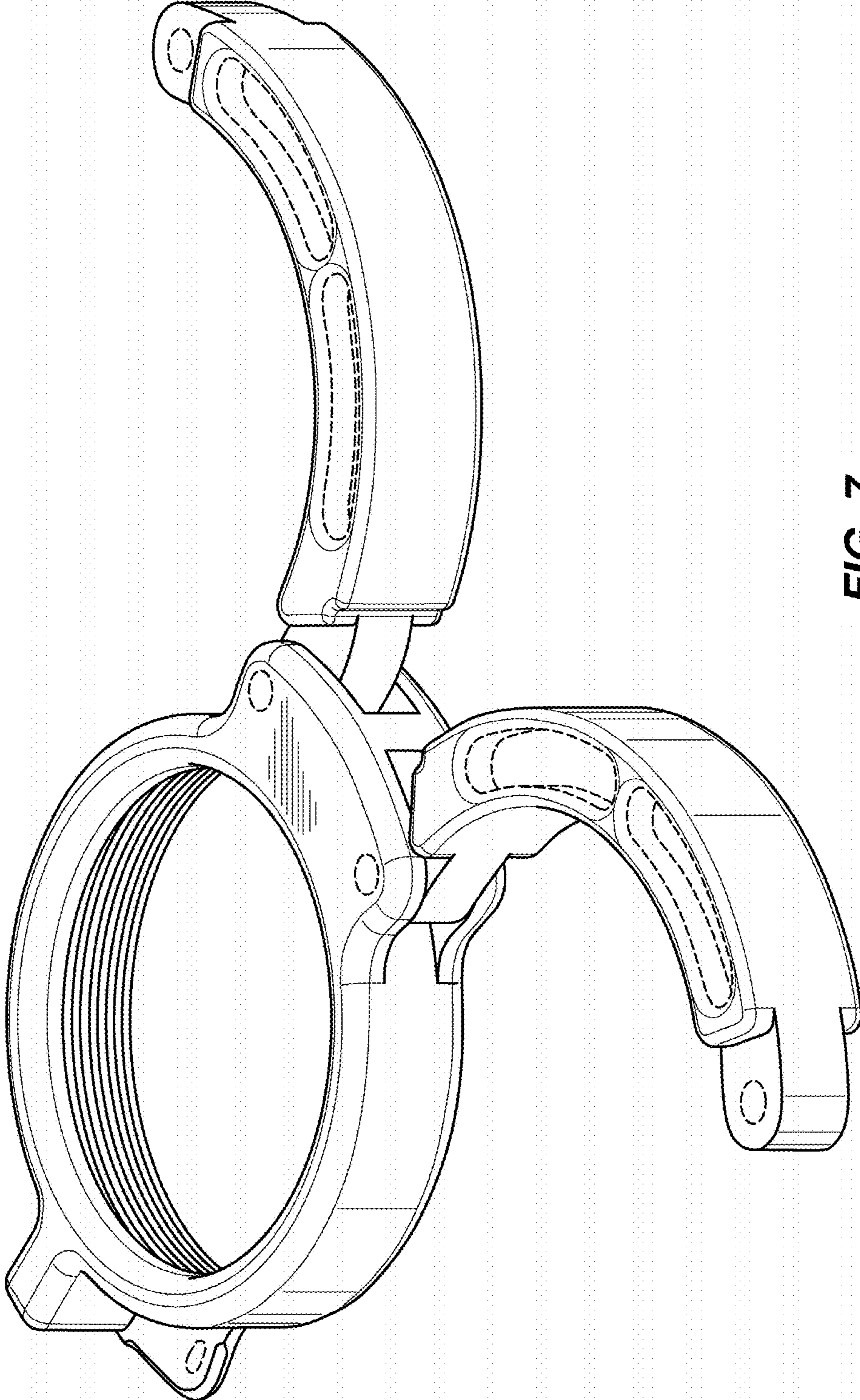


FIG. 7

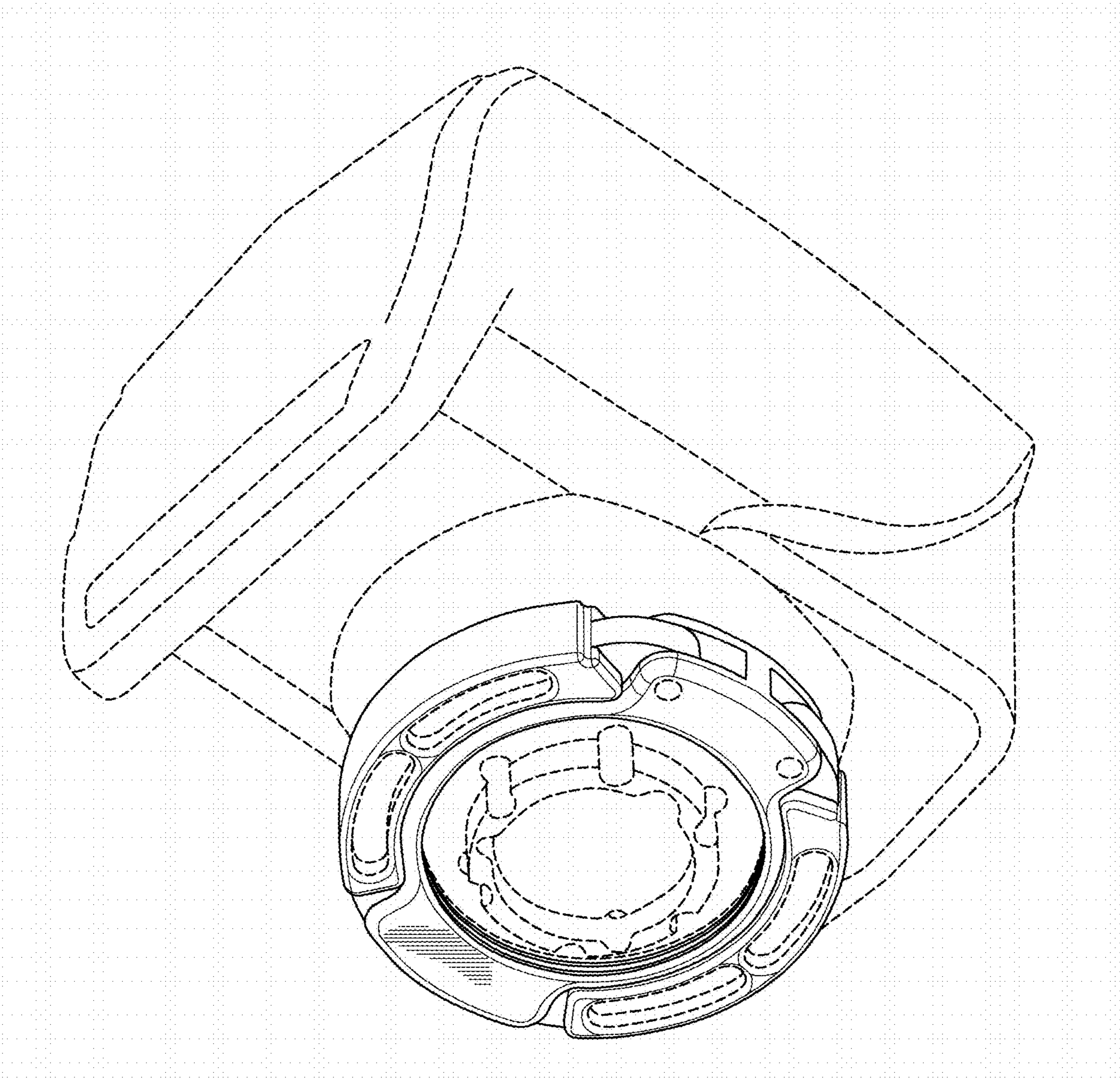


FIG. 8