



US00D682661S

(12) **United States Design Patent**
Fitzpatrick

(10) **Patent No.:** **US D682,661 S**

(45) **Date of Patent:** **** May 21, 2013**

(54) **BAG HOLDER ASSEMBLY**

(76) Inventor: **Mark Bernard Fitzpatrick**, Caledon
(CA)

(**) Term: **14 Years**

(21) Appl. No.: **29/429,414**

(22) Filed: **Aug. 10, 2012**

Related U.S. Application Data

(63) Continuation of application No. 12/444,318, filed as application No. PCT/CA2006/001643 on Oct. 6, 2006.

(51) **LOC (9) Cl.** **08-05**

(52) **U.S. Cl.**
USPC **D8/354; D8/373**

(58) **Field of Classification Search** D8/354,
D8/349, 356, 380, 394, 499, 373; 24/460,
24/462, 30, 5 R, 30.5 L; 248/200, 300, 94-101,
248/247; 220/481, 482

See application file for complete search history.

(56) **References Cited**

U.S. PATENT DOCUMENTS

285,908	A *	10/1883	Ludington	383/68
3,091,422	A *	5/1963	Hobbs	248/101
3,162,414	A	12/1964	Maschek		
3,188,031	A *	6/1965	Fournier	248/95
3,412,965	A *	11/1968	Alexander	248/101
3,468,505	A	9/1969	Reilly		
3,653,619	A *	4/1972	Plum	248/99

(Continued)

OTHER PUBLICATIONS

International Search Report, date of mailing Jul. 9, 2007, PCT/CA2006/001643.

Primary Examiner — Mark Goodwin

(74) *Attorney, Agent, or Firm* — Perry + Currier Inc.

(57) **CLAIM**

The ornamental design for a bag holder assembly, as shown and described.

DESCRIPTION

FIG. 1 is a front perspective view of a bag holder assembly showing my new design;

FIG. 2 is a front perspective view of the bag holder assembly of FIG. 1 in another position;

FIG. 3 is a front perspective view of the bag holder assembly of FIG. 1 in use with a bag;

FIG. 4 is a front elevation view of the bag holder assembly of FIG. 1;

FIG. 5 is a front elevation view of the bag holder assembly of FIG. 1 in another position;

FIG. 6 is a rear elevation view of the bag holder assembly of FIG. 1;

FIG. 7 is a rear elevation view of the bag holder assembly of FIG. 1 in another position;

FIG. 8 is a first side elevation view of the bag holder assembly of FIG. 1;

FIG. 9 is a first side elevation view of the bag holder assembly of FIG. 1 in another position;

FIG. 10 is a second side elevation view of the bag holder assembly of FIG. 1;

FIG. 11 is a second side elevation view of the bag holder assembly of FIG. 1 in another position;

FIG. 12 is a top plan view of the bag holder assembly of FIG. 1;

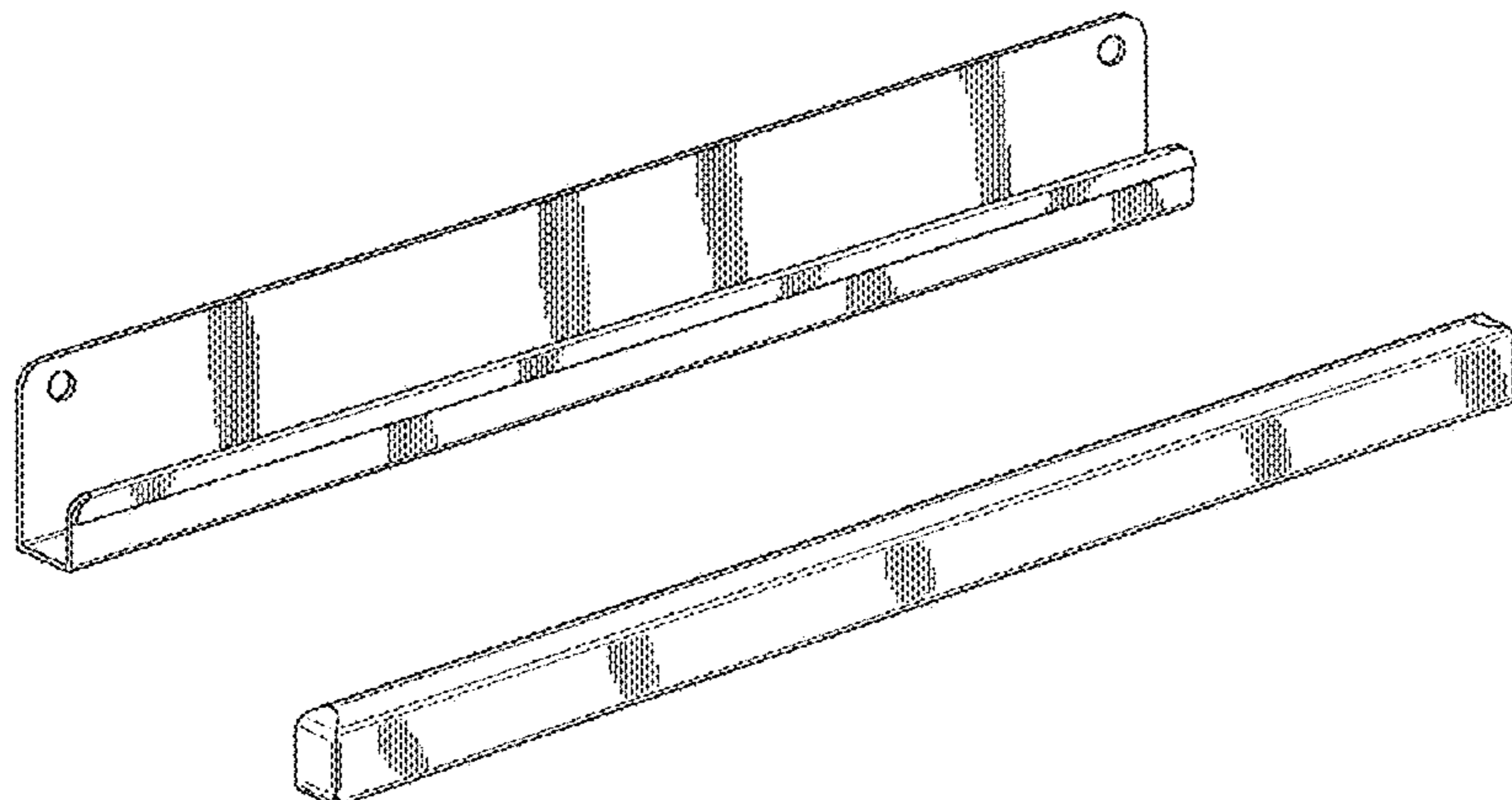
FIG. 13 is a top plan view of the bag holder assembly of FIG. 1 in another position;

FIG. 14 is a bottom plan view of the bag holder assembly of FIG. 1; and,

FIG. 15 is a bottom plan view of the bag holder assembly of FIG. 1 in another position.

Any broken line illustration is illustrative only and does not form part of the claimed design. The bag shown in stippled lines in FIG. 3 constitutes environment only.

1 Claim, 7 Drawing Sheets



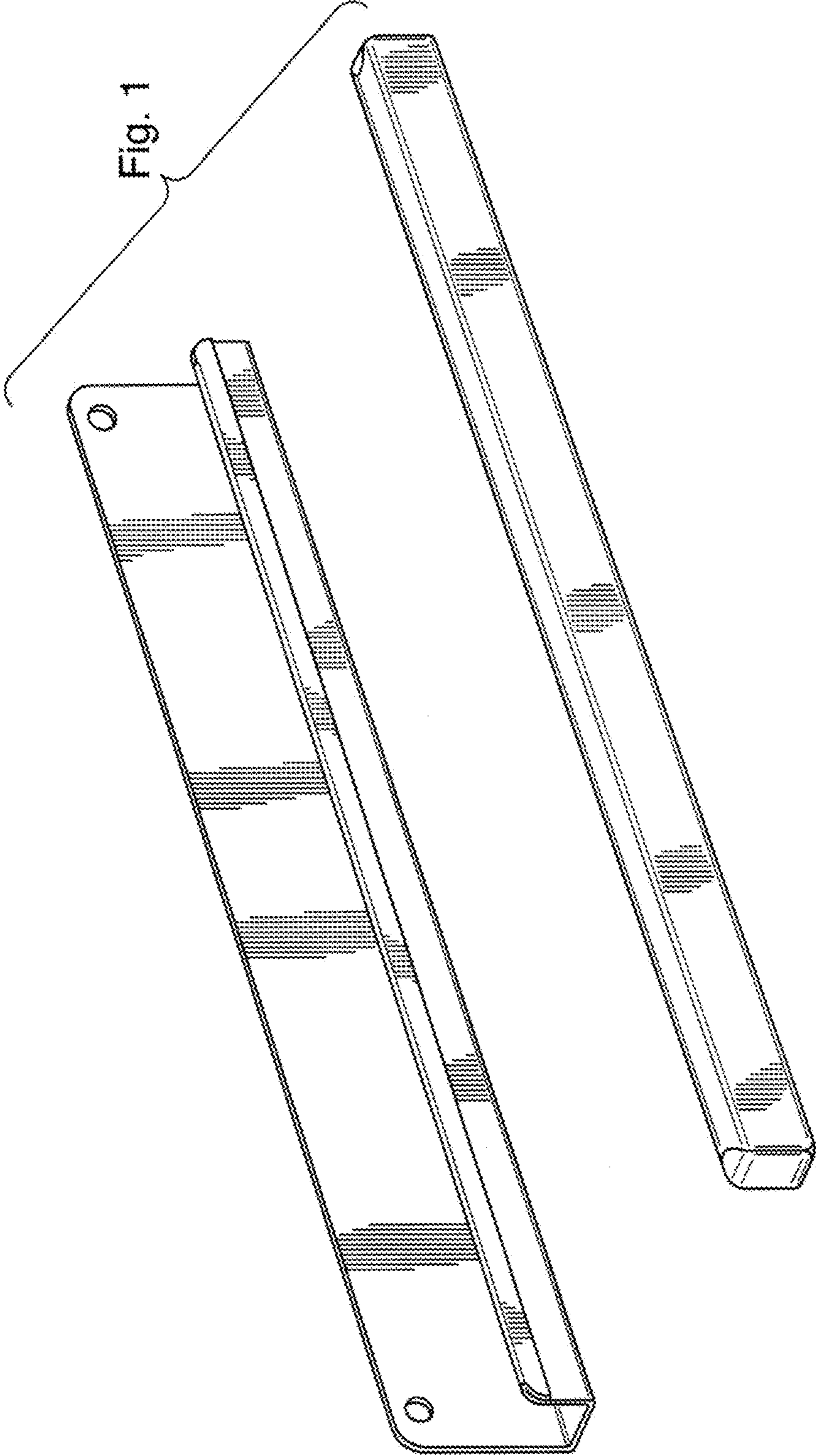
US D682,661 S

Page 2

U.S. PATENT DOCUMENTS

3,684,225	A *	8/1972	Crawford et al.	248/99	5,088,667	A *	2/1992	Olson	248/101
3,707,271	A	12/1972	Sanchez et al.		5,267,711	A	12/1993	Perreault	
3,773,286	A *	11/1973	Govoni et al.	248/97	5,524,762	A *	6/1996	Shafran et al.	206/554
3,870,261	A	3/1975	McSwain		D376,737	S *	12/1996	Hecker	D7/698
4,223,858	A *	9/1980	de Salazar	248/101	D426,041	S *	5/2000	Boghossian	D34/6
D257,993	S *	1/1981	DeMars	D20/42	D474,968	S *	5/2003	Hicks et al.	D9/443
D262,688	S *	1/1982	Nilsson	D8/373	D479,683	S *	9/2003	Turvey et al.	D8/373
4,669,690	A	6/1987	McEniry		7,080,756	B2 *	7/2006	Cunningham	221/26
D300,972	S *	5/1989	Streno	D34/6	D546,610	S *	7/2007	Blanchard	D6/567
D310,745	S *	9/1990	Cross	D34/6	D659,513	S *	5/2012	Lin	D8/349
4,998,695	A *	3/1991	Nobis	248/101	2002/0087573	A1	7/2002	Reuning et al.	
D322,389	S *	12/1991	Harmon	D8/380					

* cited by examiner



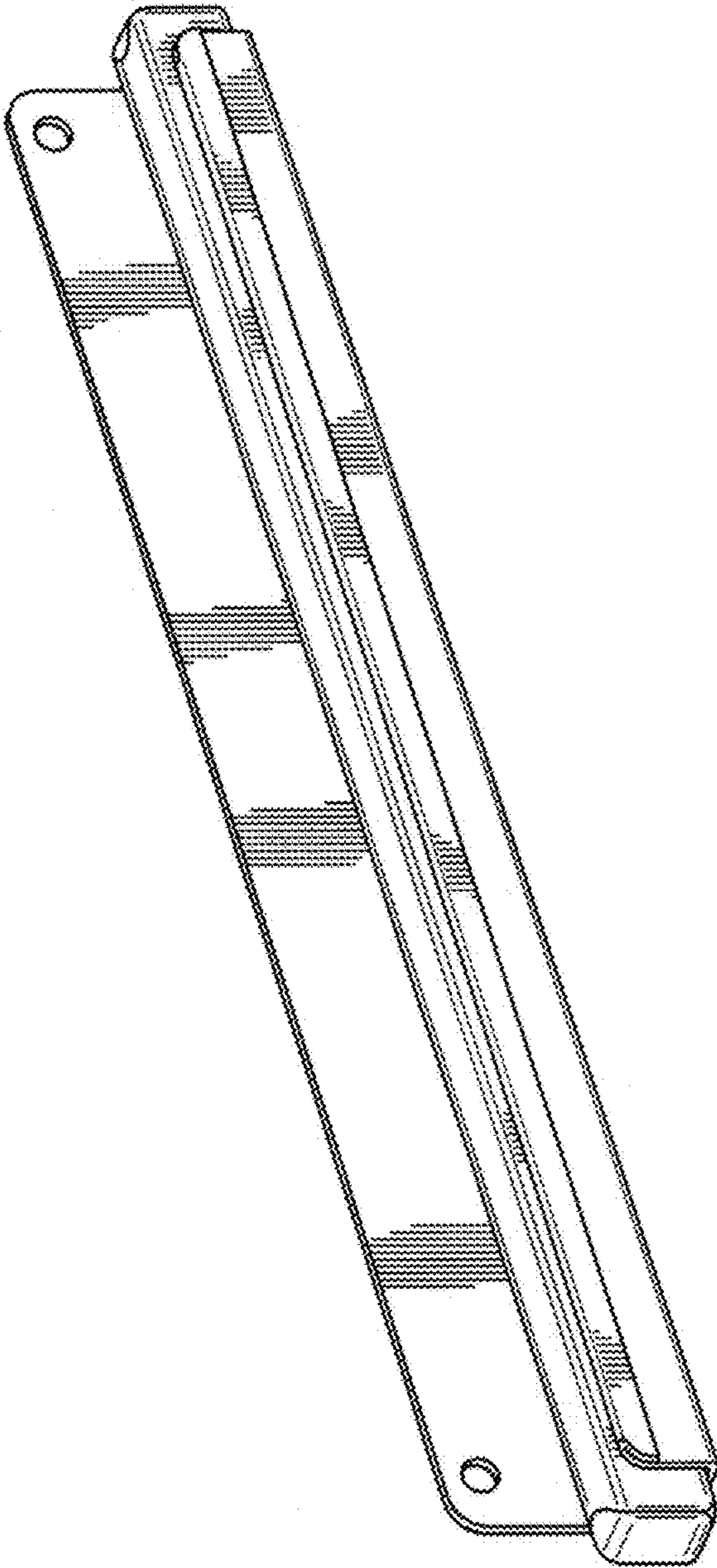
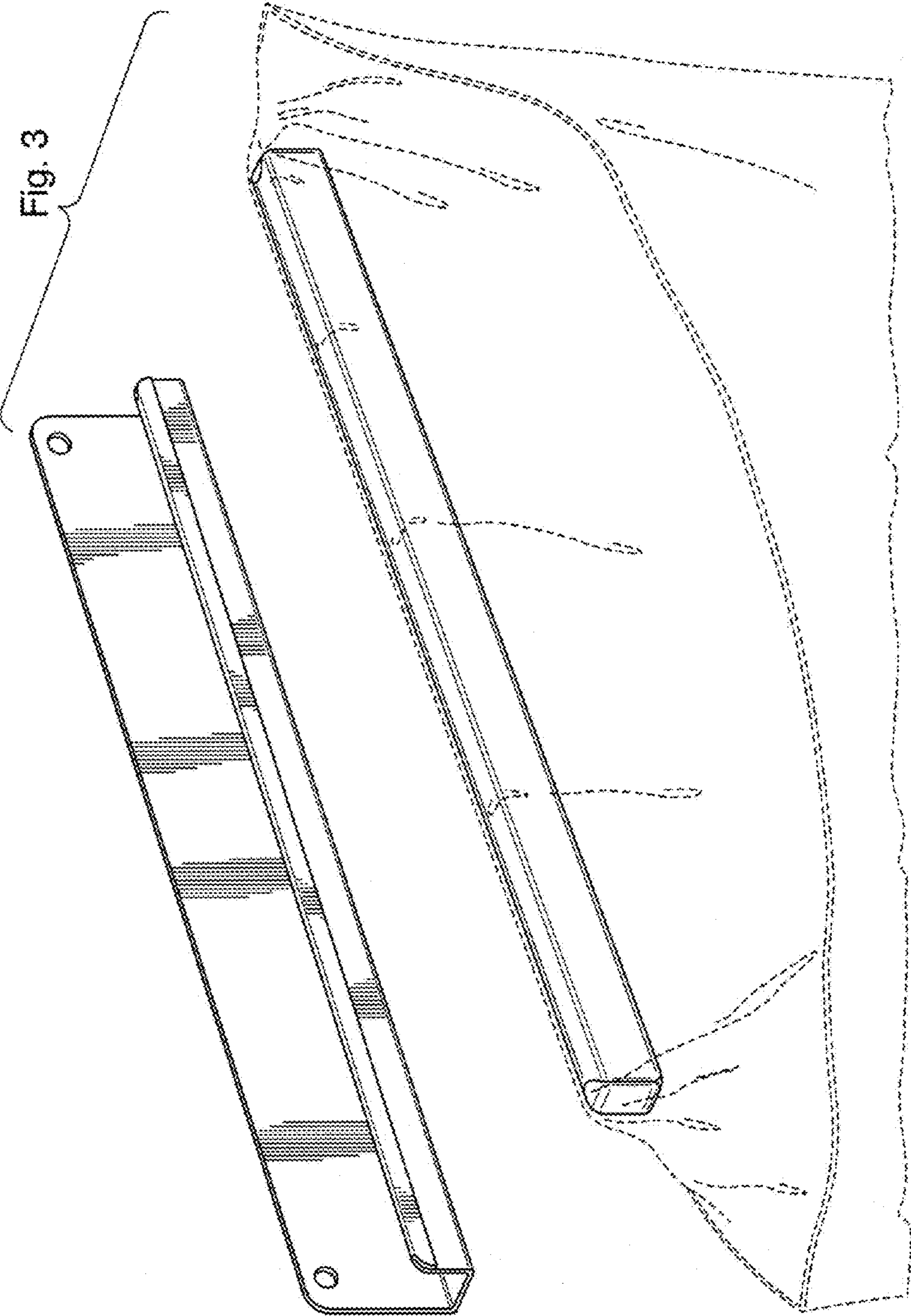


Fig. 2



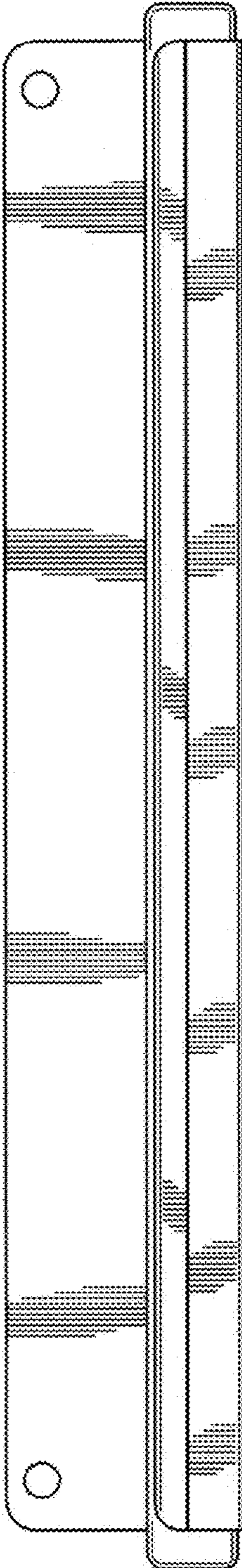


Fig. 4

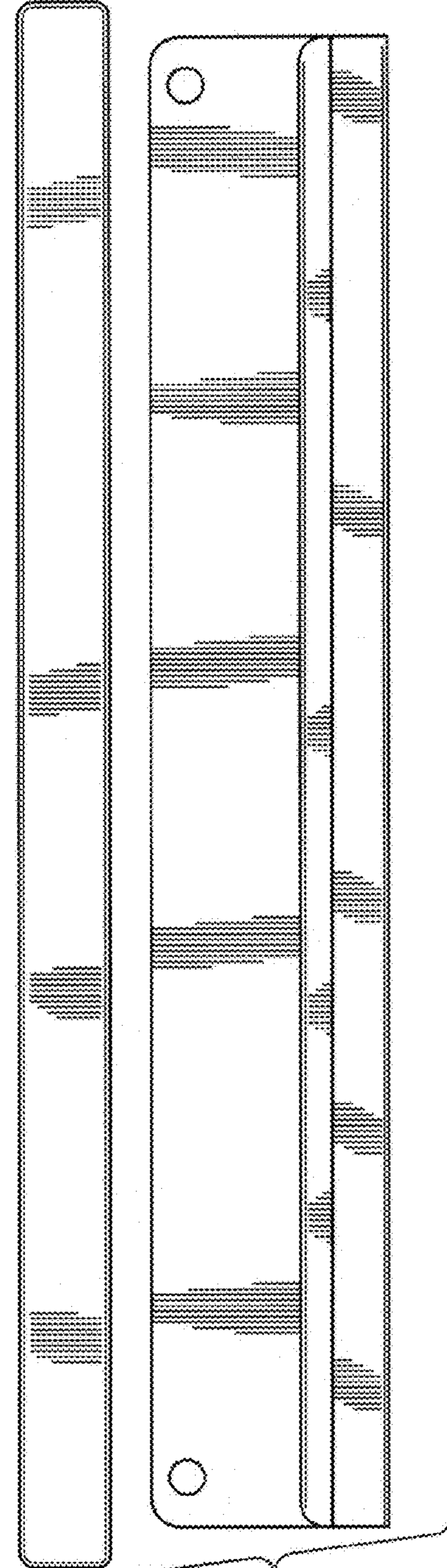


Fig. 5

