



US00D682660S

(12) **United States Design Patent**
Aldrich et al.

(10) **Patent No.:** **US D682,660 S**
(45) **Date of Patent:** **** May 21, 2013**

(54) **LOCKOUT TAGOUT PLUG SLEEVE**

(75) Inventors: **Alvah Benjamin Aldrich**, Geneva, NY (US); **Daniel Treible**, Clay, NY (US); **Joseph Allen Menzel**, Camillus, NY (US)

(73) Assignee: **Cooper Technologies Company**, Houston, TX (US)

(**) Term: **14 Years**

(21) Appl. No.: **29/408,592**

(22) Filed: **Dec. 14, 2011**

(51) **LOC (9) Cl.** **08-07**

(52) **U.S. Cl.**
USPC **D8/343; D8/346; D8/330**

(58) **Field of Classification Search** D8/330, D8/331, 343, 346, 349, 382, 383, 400, 499; 70/14, 51, 54, 57, 57.1, 58, 141, 224, 333 R, 70/465; 292/289, 292; 439/233; 220/600, 220/601, 610, 108, 660, 661, 675; D13/184, D13/199

See application file for complete search history.

(56) **References Cited**

U.S. PATENT DOCUMENTS

5,092,359	A *	3/1992	Wirth et al.	137/382
5,178,551	A *	1/1993	Bach	439/133
5,186,636	A *	2/1993	Boyer et al.	439/133
D349,034	S *	7/1994	Webster	D8/333
5,601,440	A *	2/1997	Richter	439/134
D384,267	S *	9/1997	Giles	D8/346
D391,469	S *	3/1998	Foushee	D8/346
6,209,365	B1 *	4/2001	Neeley	70/175
6,382,001	B1 *	5/2002	Neeley et al.	70/175
7,384,282	B2 *	6/2008	Tomita et al.	439/133
7,497,705	B2 *	3/2009	Larson et al.	439/133
D637,471	S *	5/2011	Roy	D8/330
D652,748	S *	1/2012	Jilderros et al.	D10/57

* cited by examiner

OTHER PUBLICATIONS

Meltric Corporation; Lockout Tagout Capability Product Information; Retrieved Dec. 14, 2011; Meltric Corporation website www.meltric.com.

Primary Examiner — Prabhakar Deshmukh

(74) *Attorney, Agent, or Firm* — King & Spalding LLP

(57) **CLAIM**

The ornamental design for a lockout tagout plug sleeve, as shown and described.

DESCRIPTION

FIG. 1 is a perspective view of a lockout tagout plug sleeve, showing our new design;
 FIG. 2 is a front elevation view thereof;
 FIG. 3 is a rear elevation view thereof;
 FIG. 4 is a left-side elevation view thereof;
 FIG. 5 is a right-side elevation view thereof;
 FIG. 6 is a top plan view thereof;
 FIG. 7 is a bottom plan view thereof;
 FIG. 8 is a perspective view of another new ornamental design for a lockout tagout plug sleeve;
 FIG. 9 is a front elevation view of FIG. 8;
 FIG. 10 is a rear elevation view of FIG. 8;
 FIG. 11 is a left-side elevation view of FIG. 8;
 FIG. 12 is a right-side elevation view of FIG. 8;
 FIG. 13 is a top plan view of FIG. 8;
 FIG. 14 is a bottom plan view of FIG. 8;
 FIG. 15 is a perspective view of another new ornamental design for a lockout tagout plug sleeve;
 FIG. 16 is a front elevation view of FIG. 15;
 FIG. 17 is a rear elevation view of FIG. 15;
 FIG. 18 is a left-side elevation view of FIG. 15;
 FIG. 19 is a right-side elevation view of FIG. 15, wherein the top and bottom views are the same as those shown and described in FIGS. 6 and 7;
 FIG. 20 is a perspective view of another new ornamental design for a lockout tagout plug sleeve;
 FIG. 21 is a front elevation view of FIG. 20;
 FIG. 22 is a rear elevation view of FIG. 20;
 FIG. 23 is a left-side elevation view of FIG. 20;
 FIG. 24 is a right-side elevation view of FIG. 20, wherein the top and bottom views are the same as those shown and described in FIGS. 6 and 7;
 FIG. 25 is a perspective view of another new ornamental design for a lockout tagout plug sleeve;
 FIG. 26 is a front elevation view of FIG. 25;

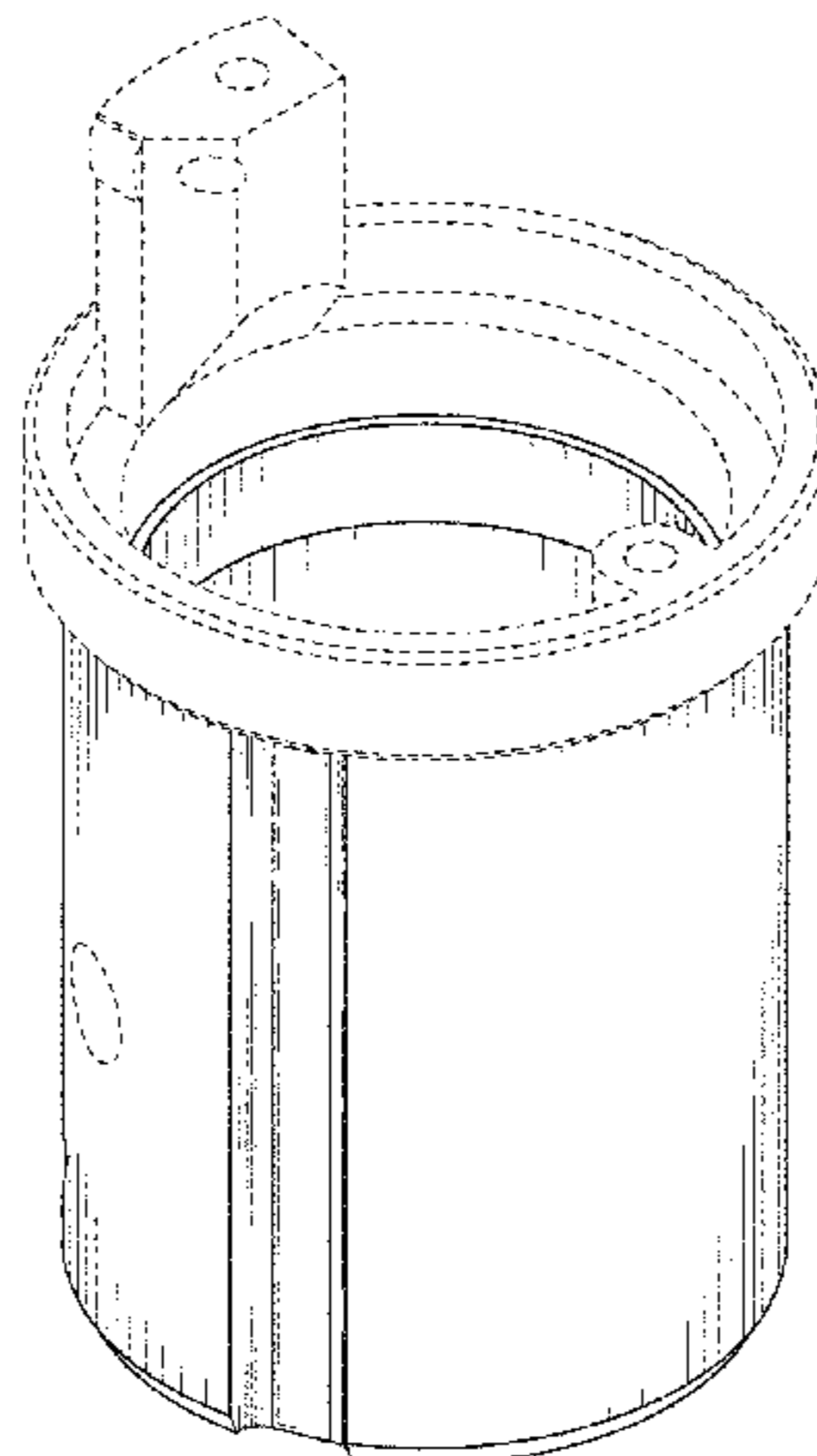


FIG. 27 is a rear elevation view of FIG. 25;
FIG. 28 is a left-side elevation view of FIG. 25;
FIG. 29 is a right-side elevation view of FIG. 25, wherein the top and bottom views are the same as those shown and described in FIGS. 6 and 7;
FIG. 30 is a perspective view of another new ornamental design for a lockout tagout plug sleeve;
FIG. 31 is a front elevation view of FIG. 30;
FIG. 32 is a rear elevation view of FIG. 30;
FIG. 33 is a left-side elevation view of FIG. 30;
FIG. 34 is a right-side elevation view of FIG. 30, wherein the top and bottom views are the same as those shown and described in FIGS. 6 and 7;

FIG. 35 is a perspective view of another new ornamental design for a lockout tagout plug sleeve;
FIG. 36 is a front elevation view of FIG. 35;
FIG. 37 is a rear elevation view of FIG. 35;
FIG. 38 is a left-side elevation view of FIG. 35; and,
FIG. 39 is a right-side elevation view of FIG. 35, wherein the top and bottom views are the same as those shown and described in FIGS. 6 and 7.
The broken lines shown represent unclaimed subject matter and form no part of the claimed design.

1 Claim, 23 Drawing Sheets

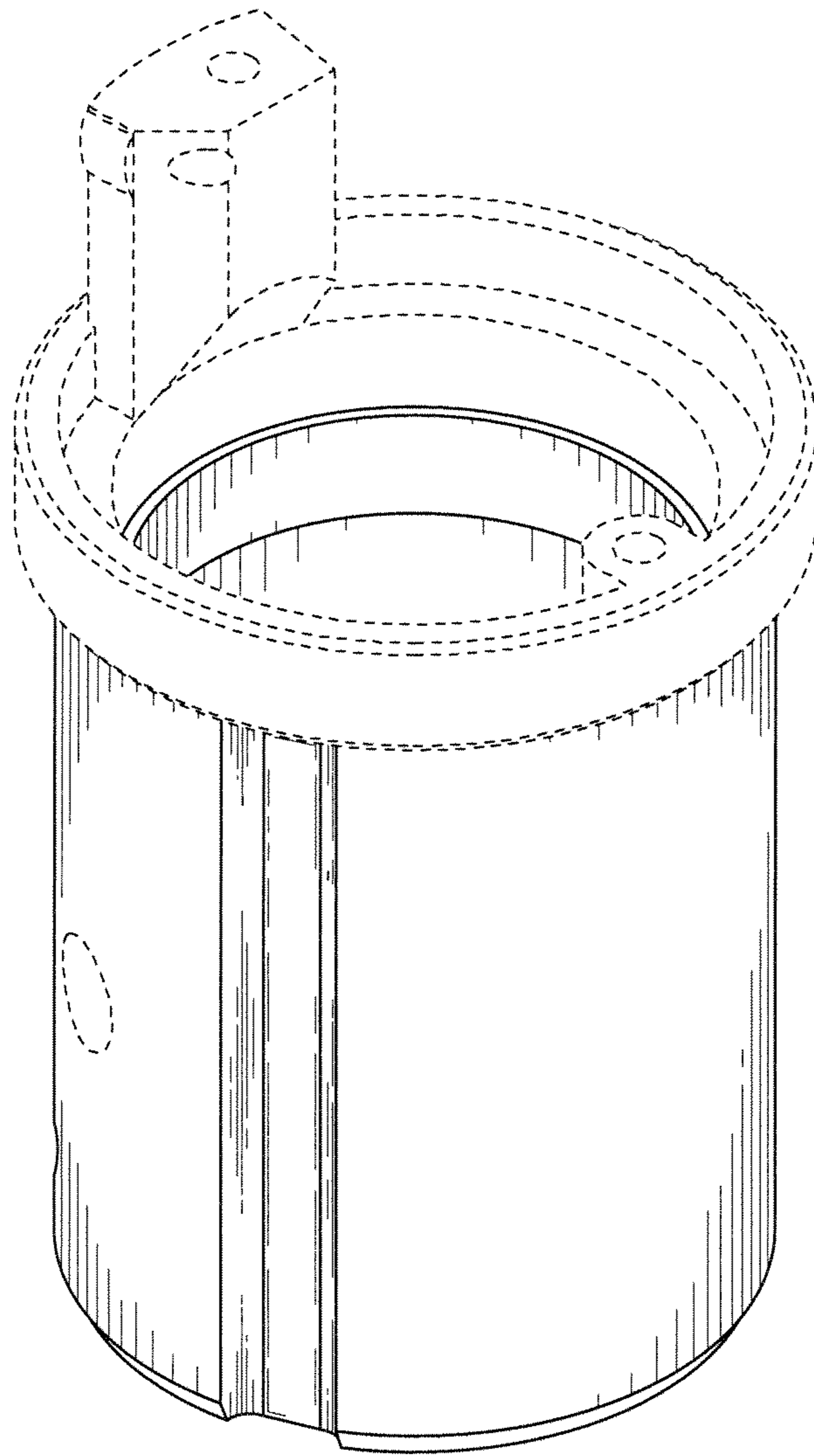


FIG. 1

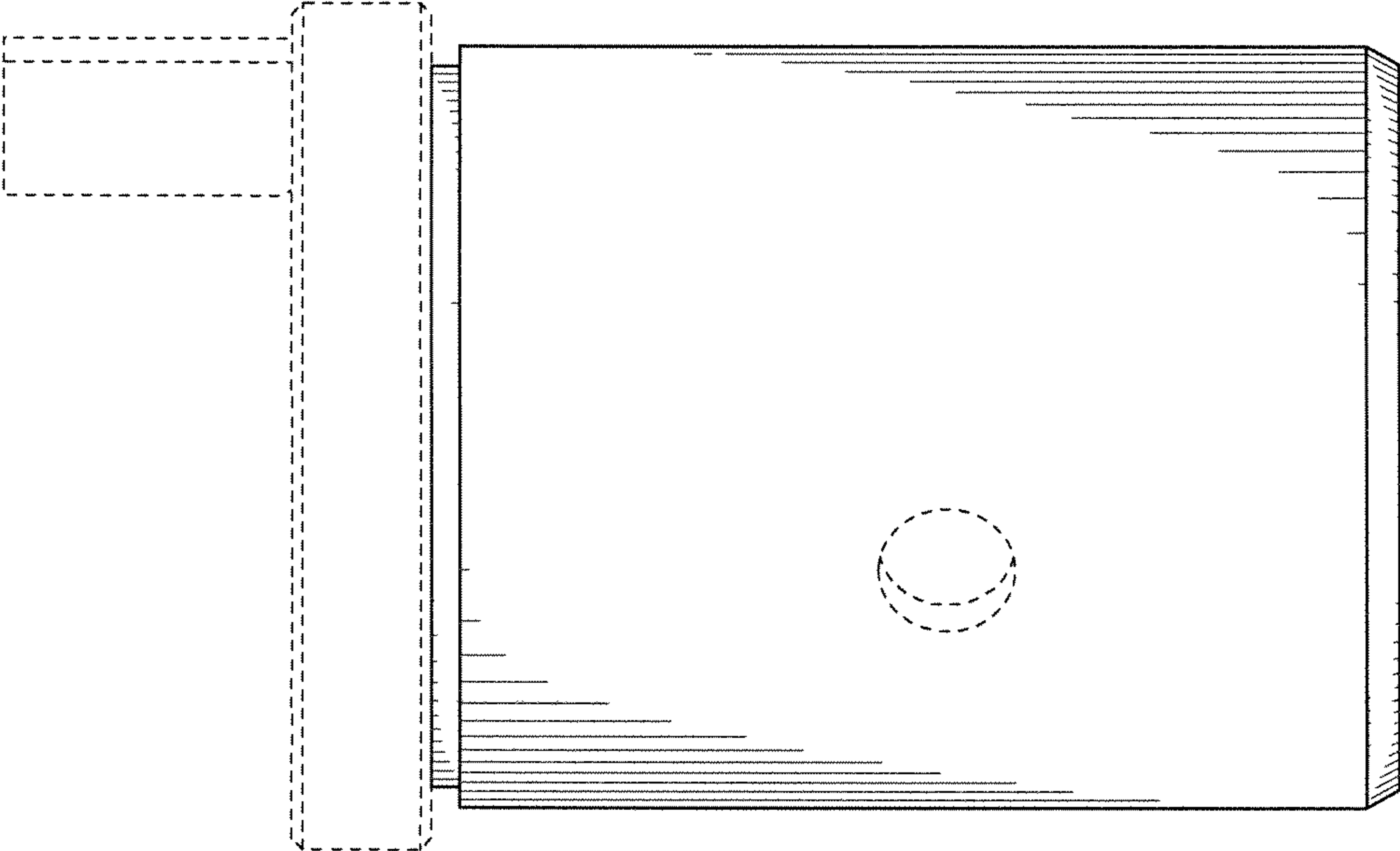


FIG. 3

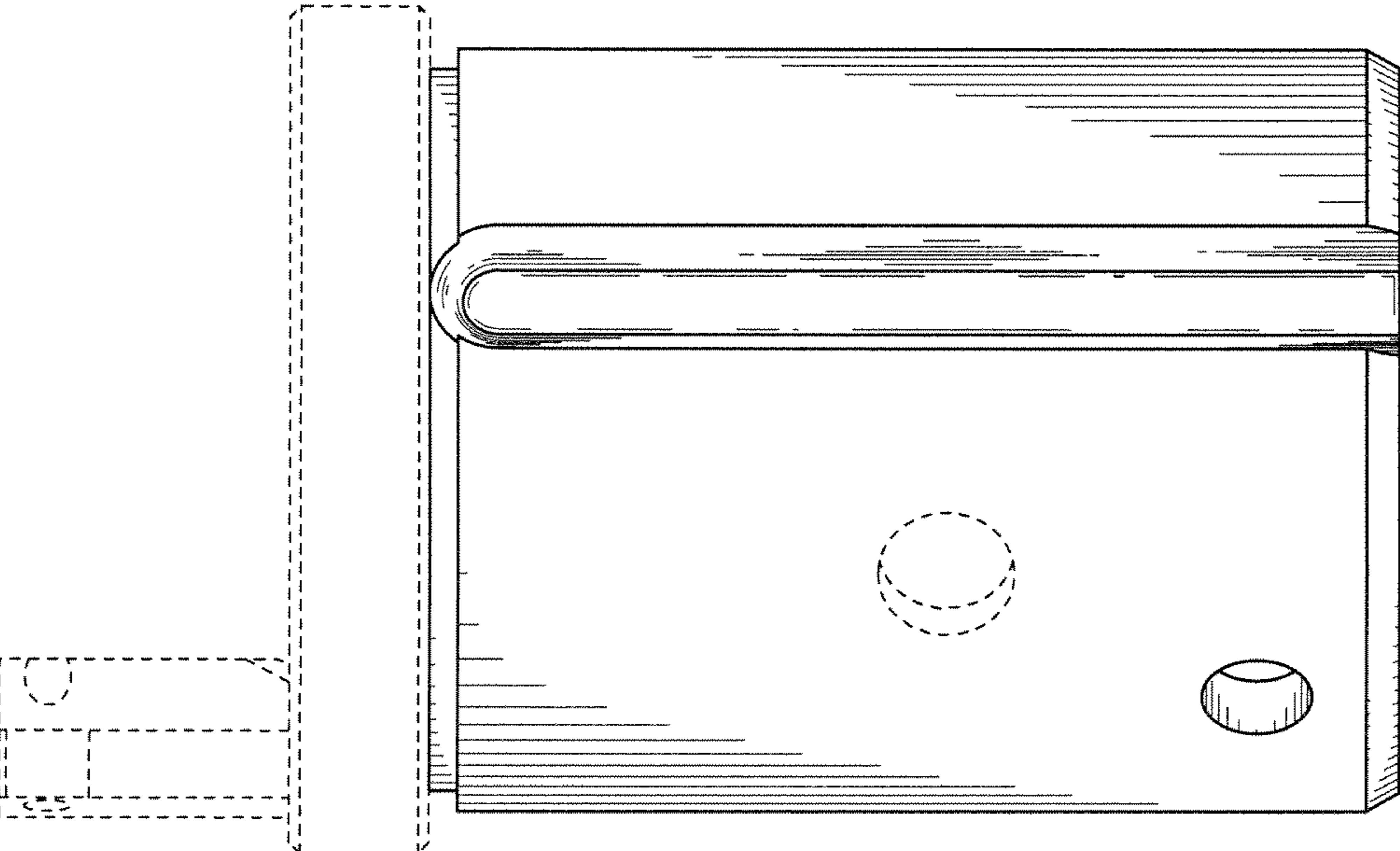


FIG. 2

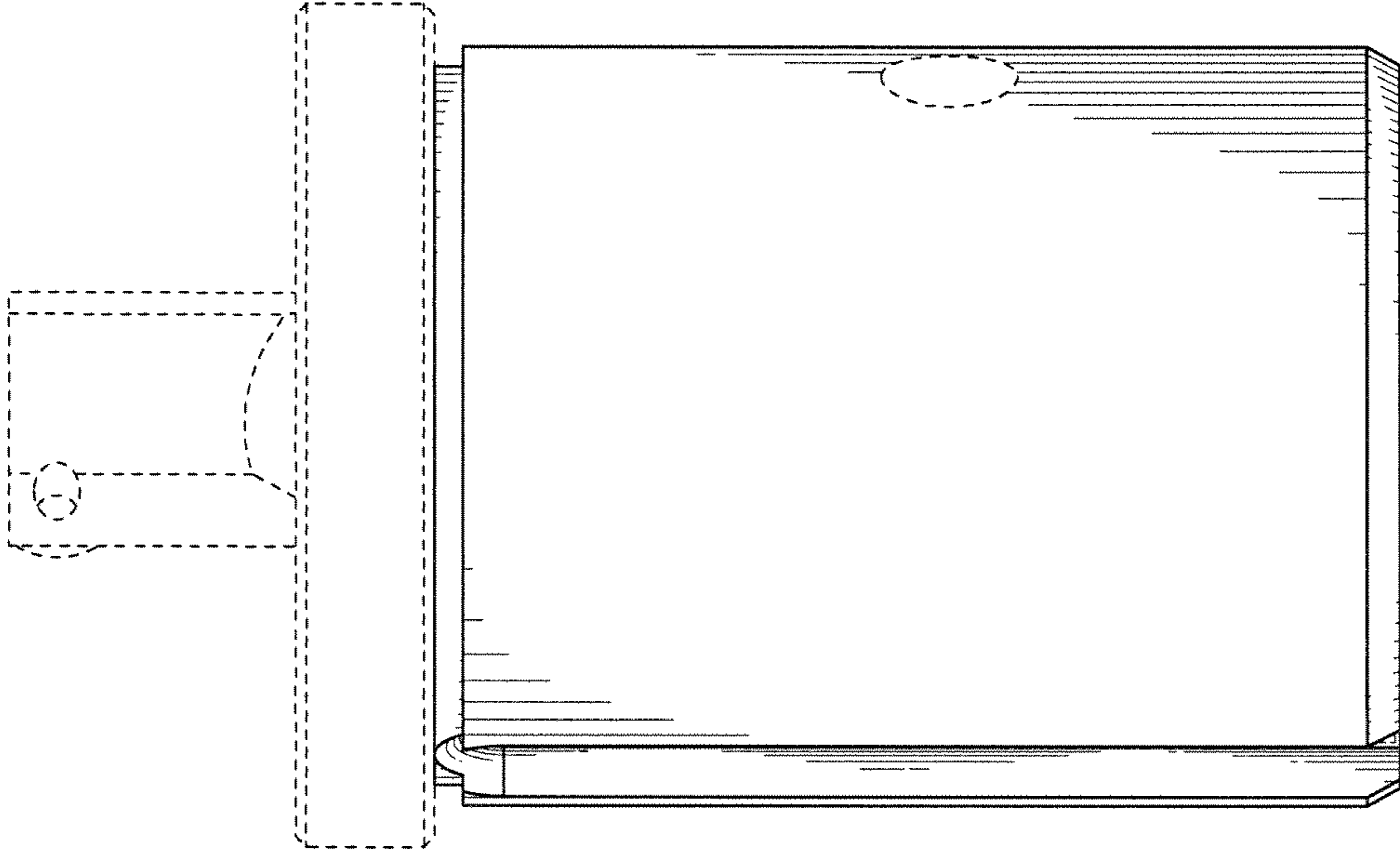


FIG. 4

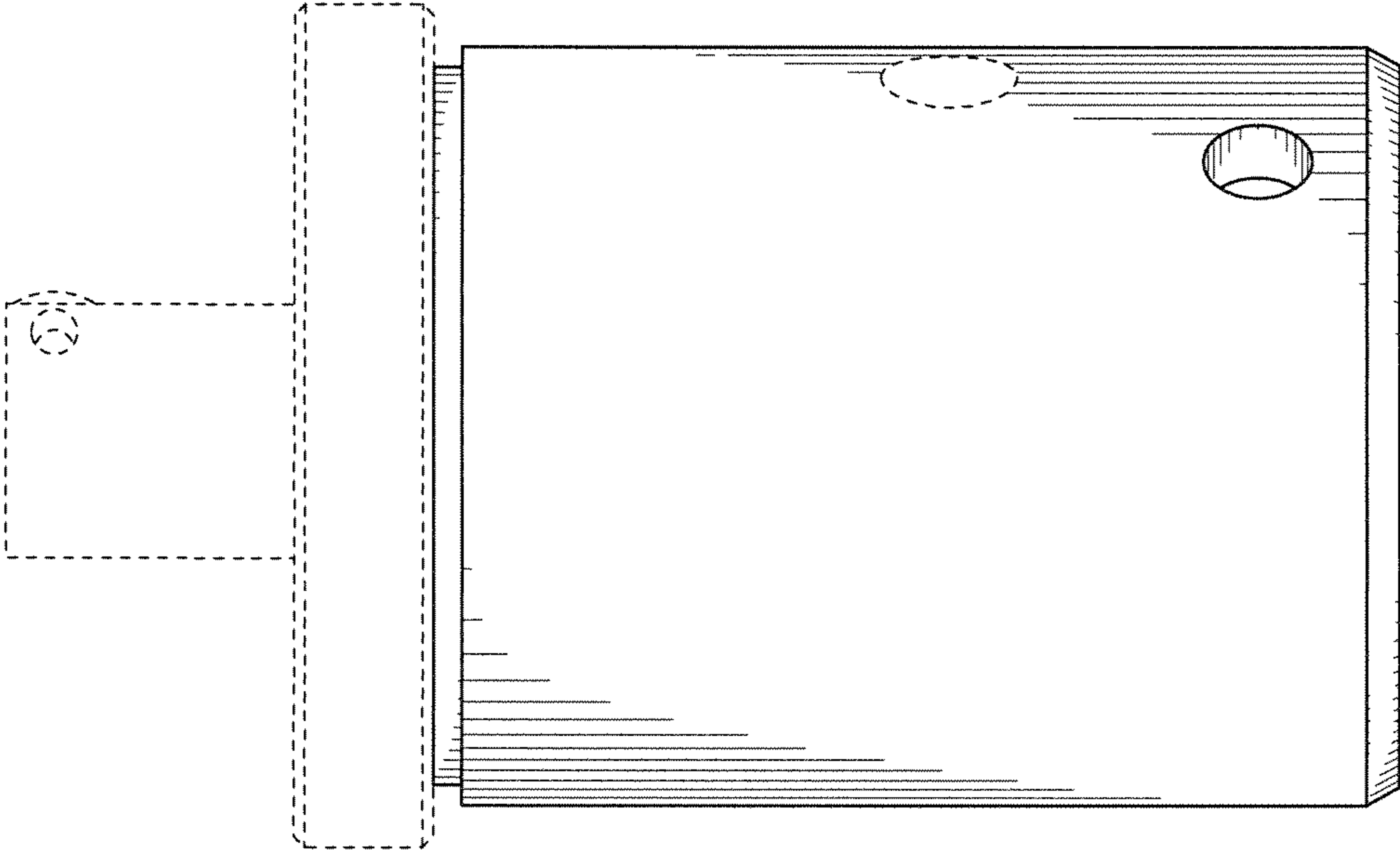


FIG. 5

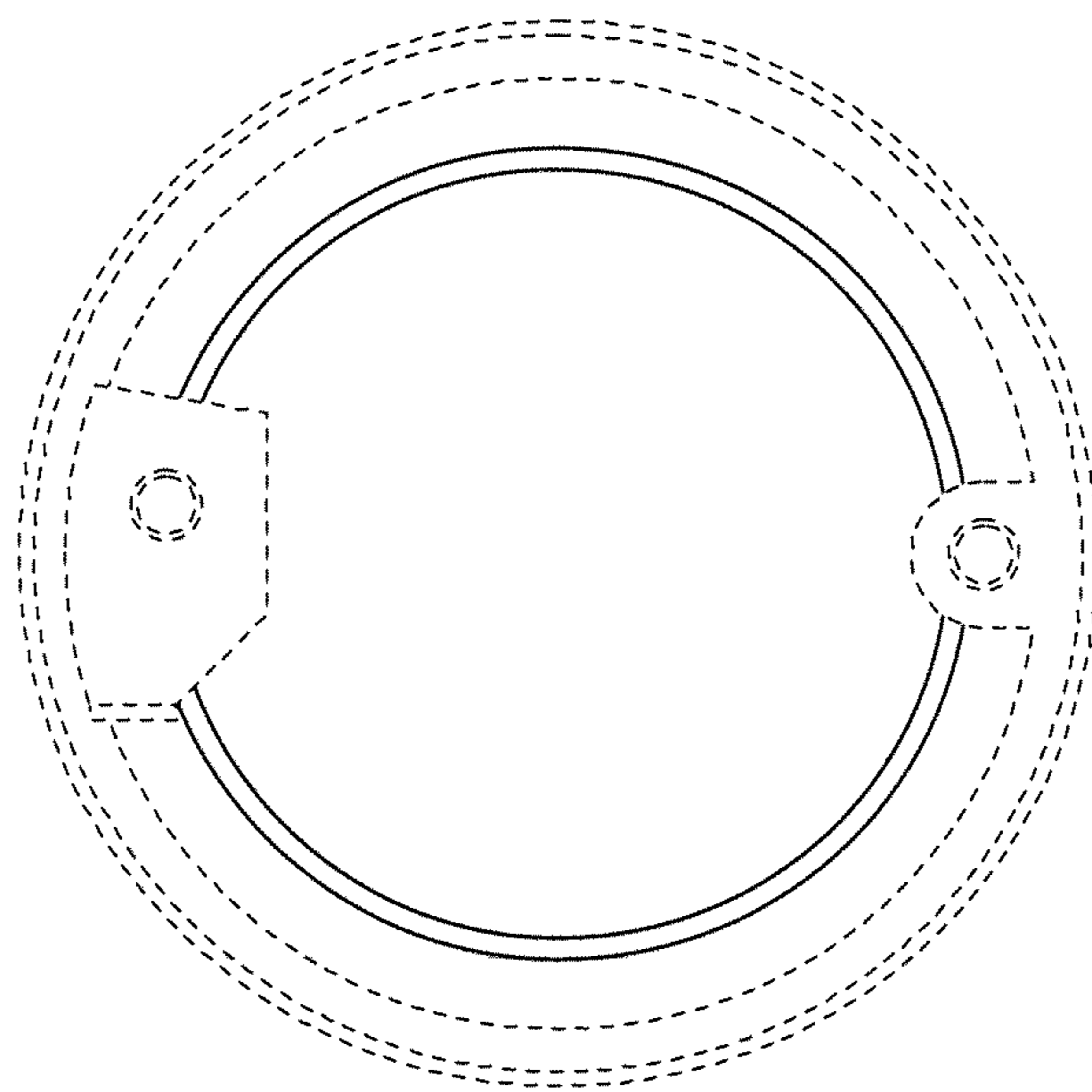


FIG. 6

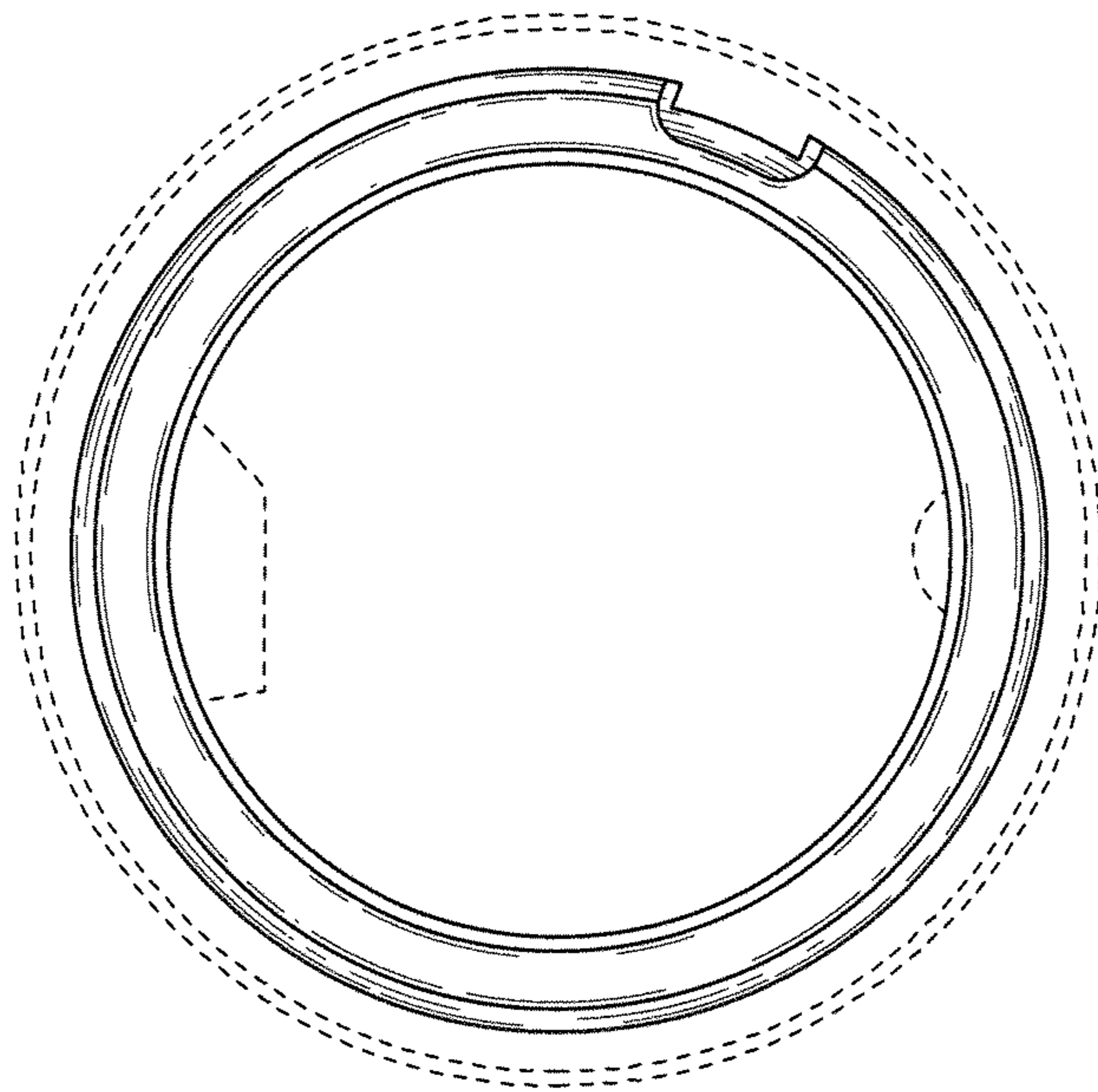


FIG. 7

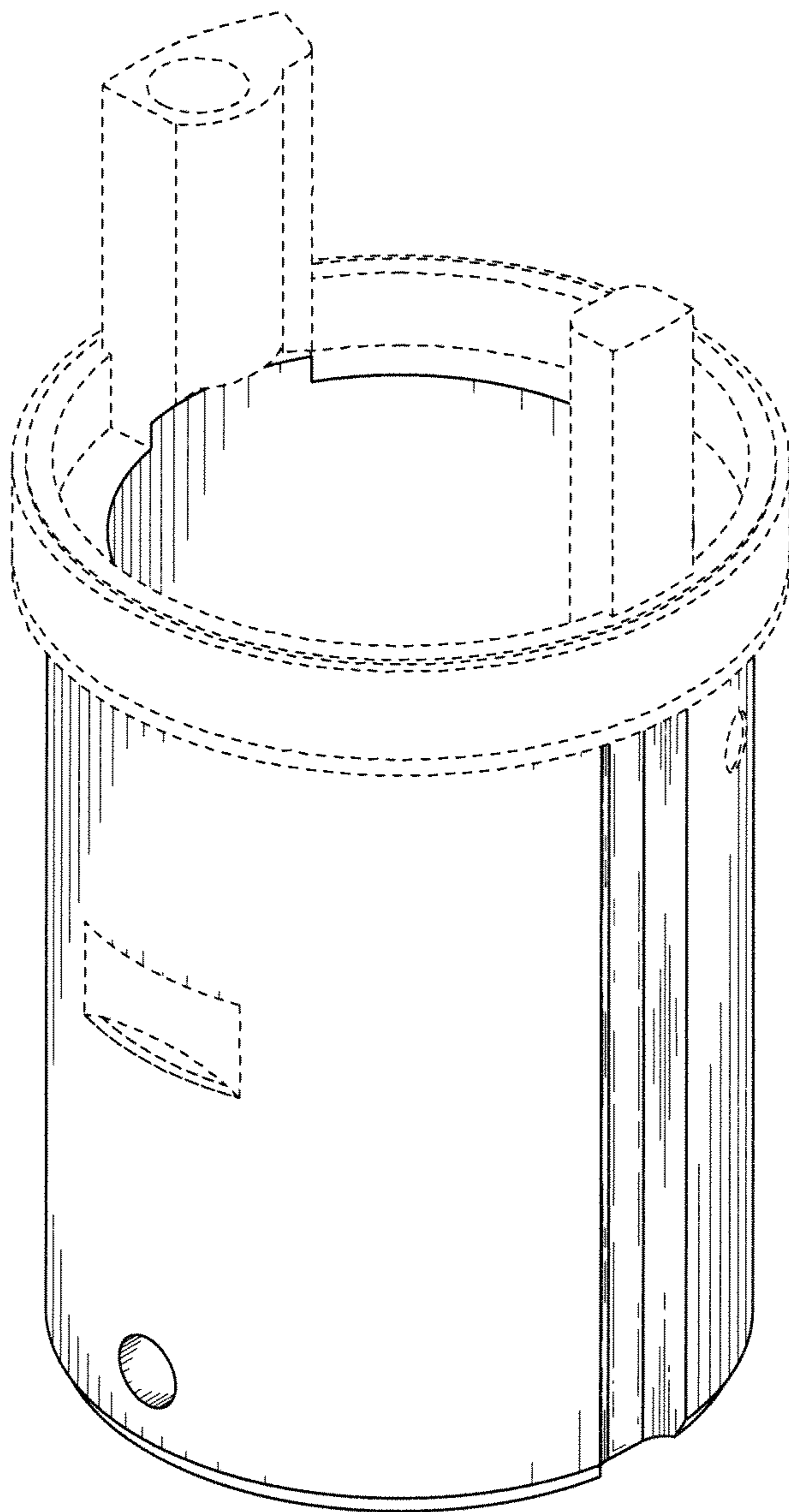


FIG. 8

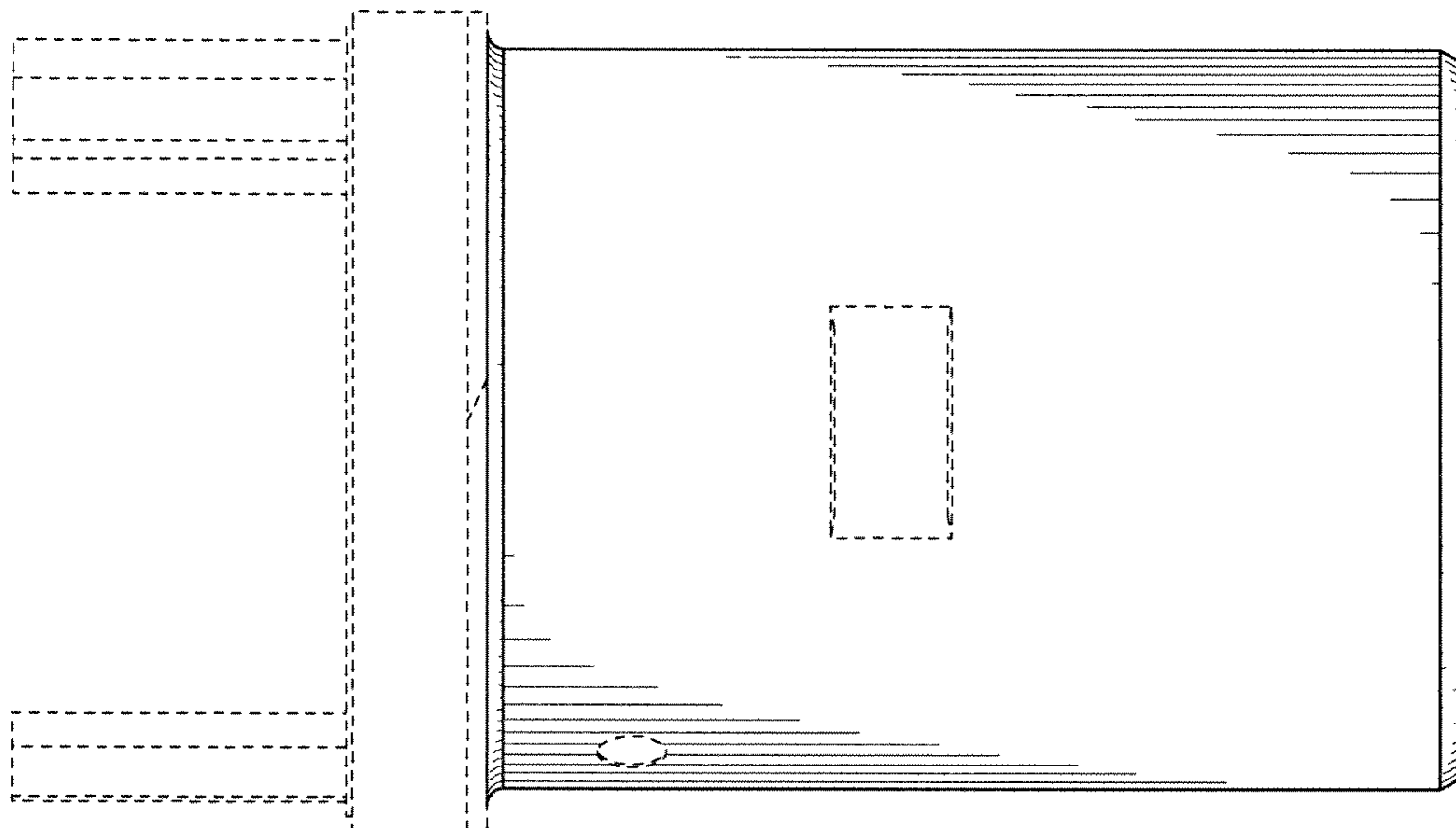


FIG. 10

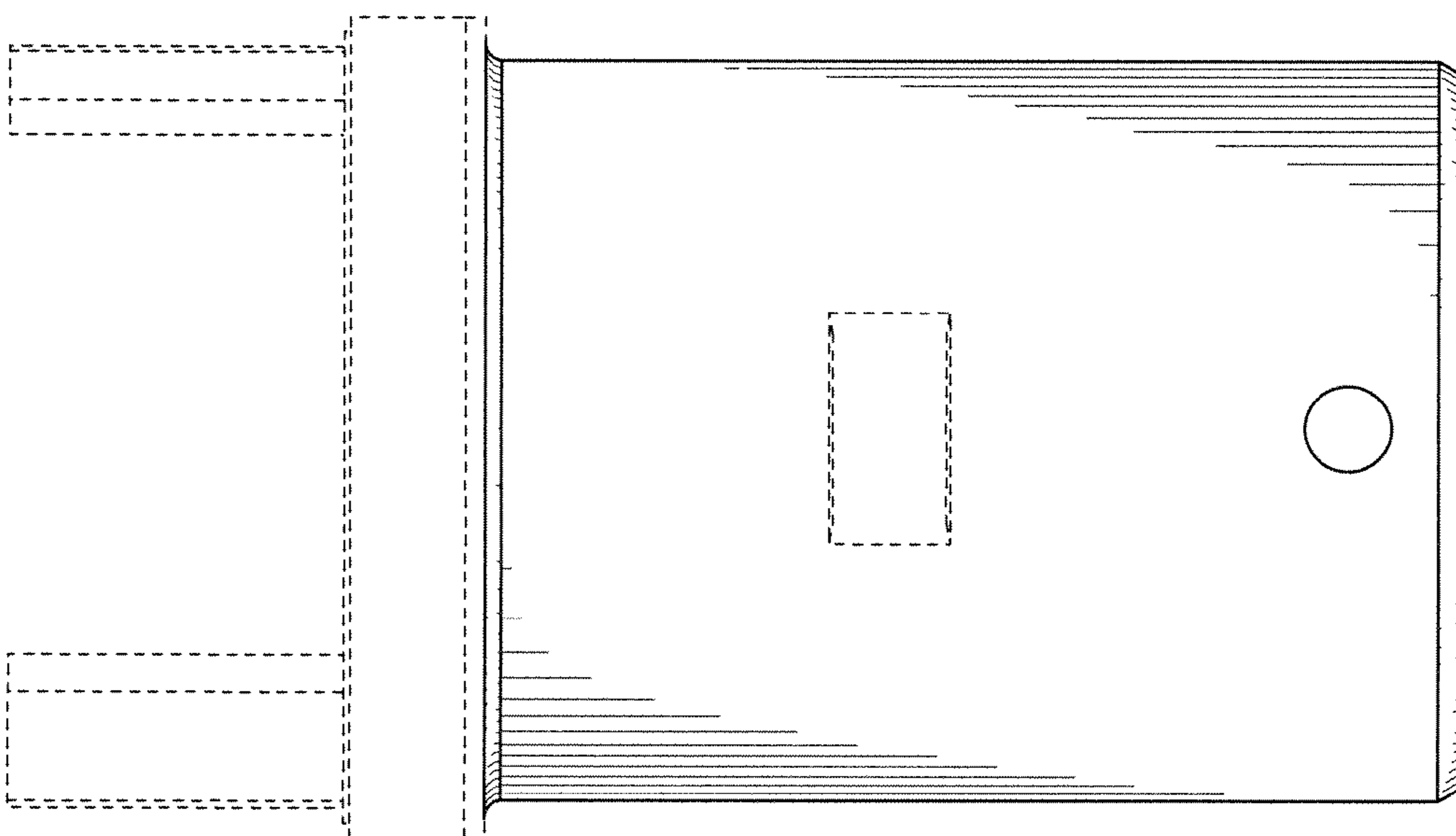


FIG. 9

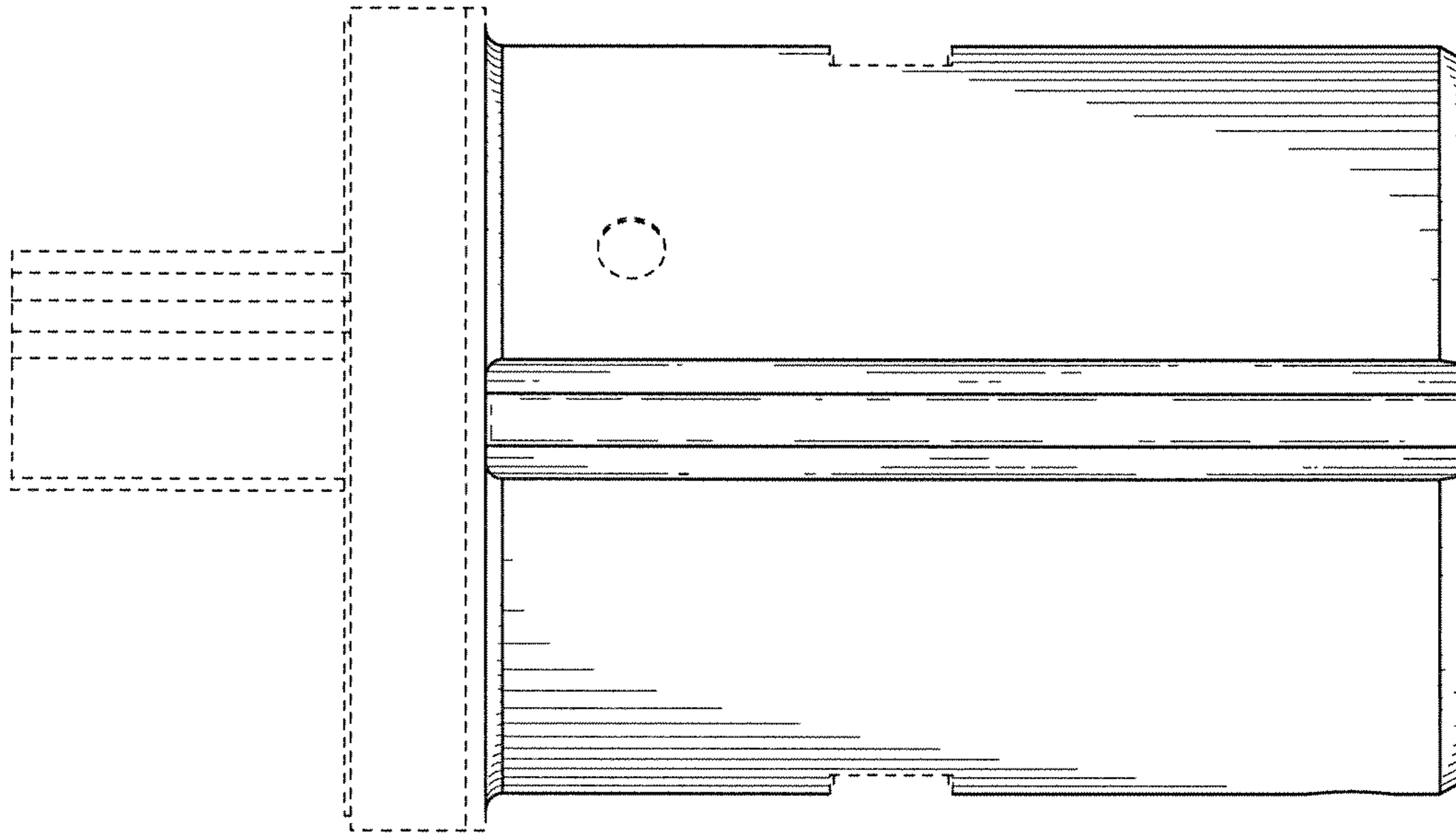


FIG. 12

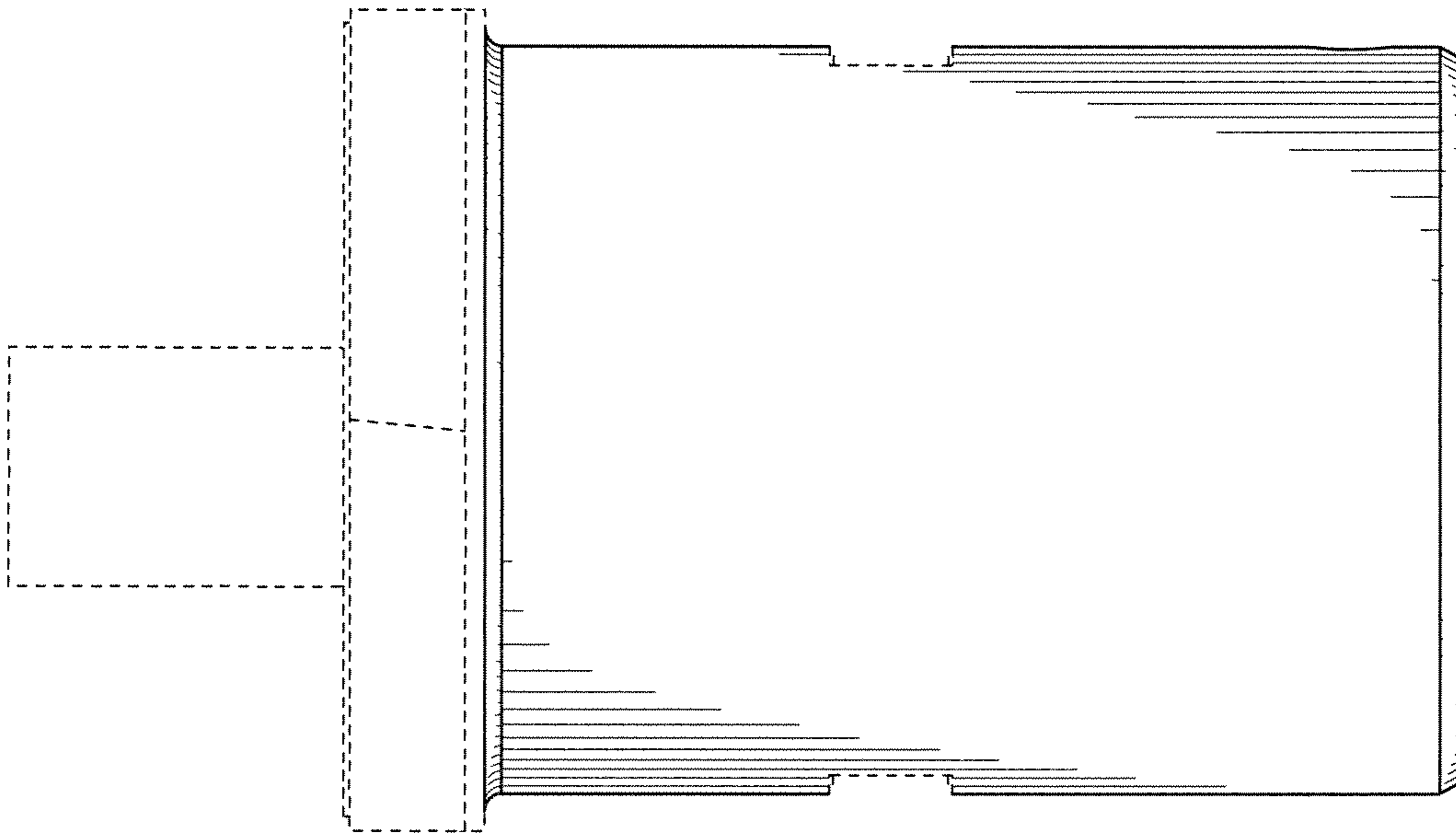


FIG. 11

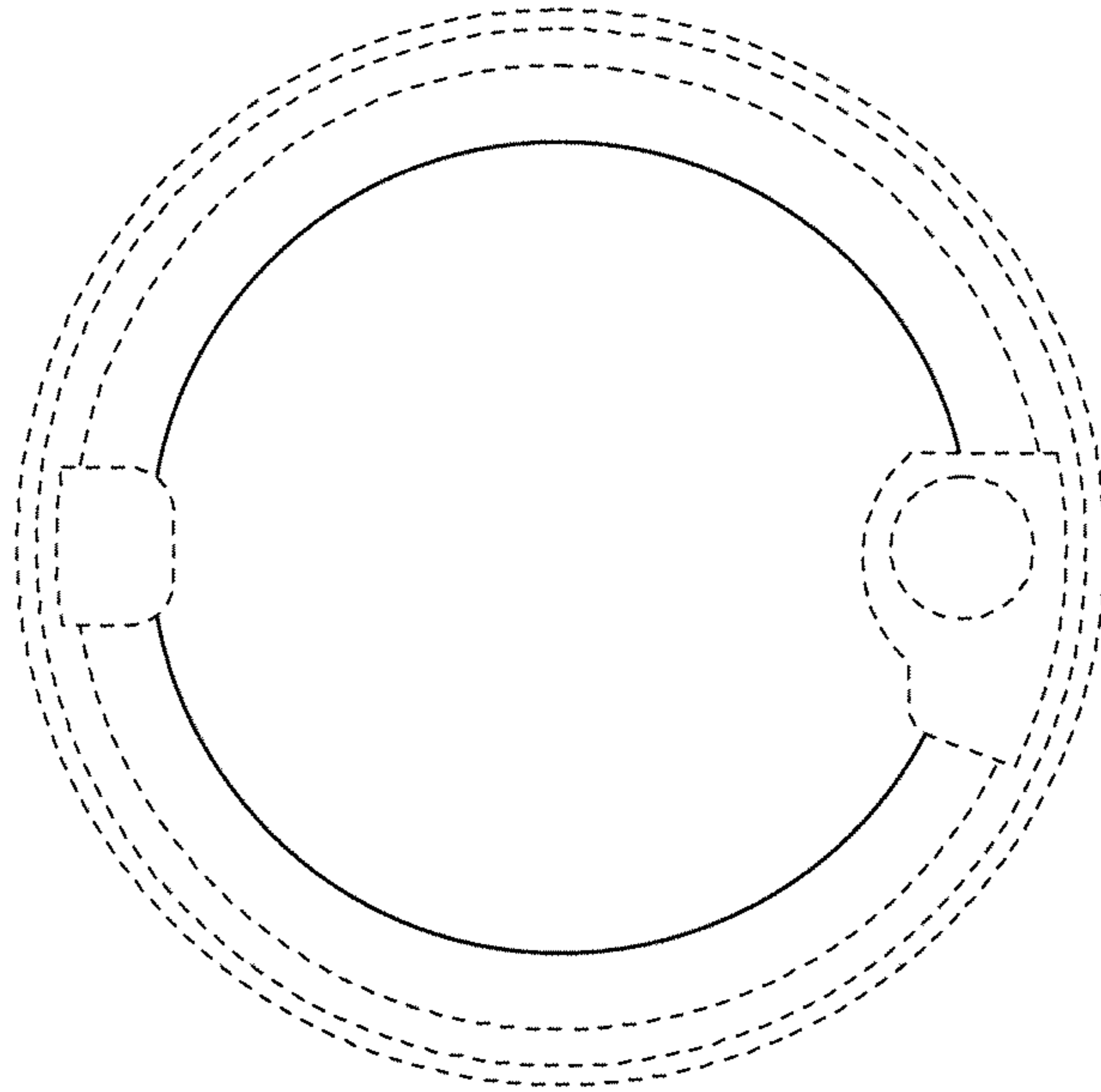


FIG. 13

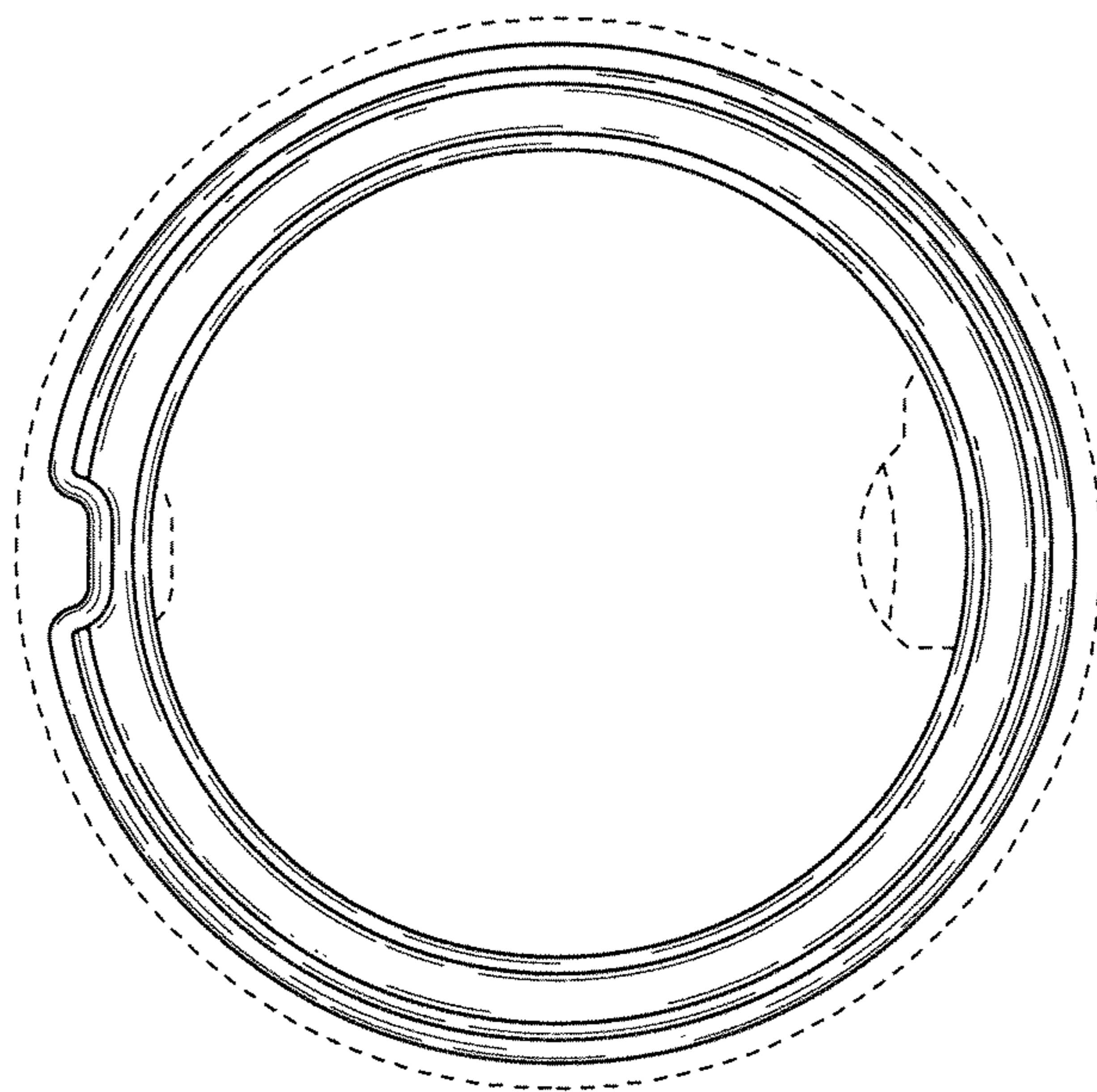


FIG. 14

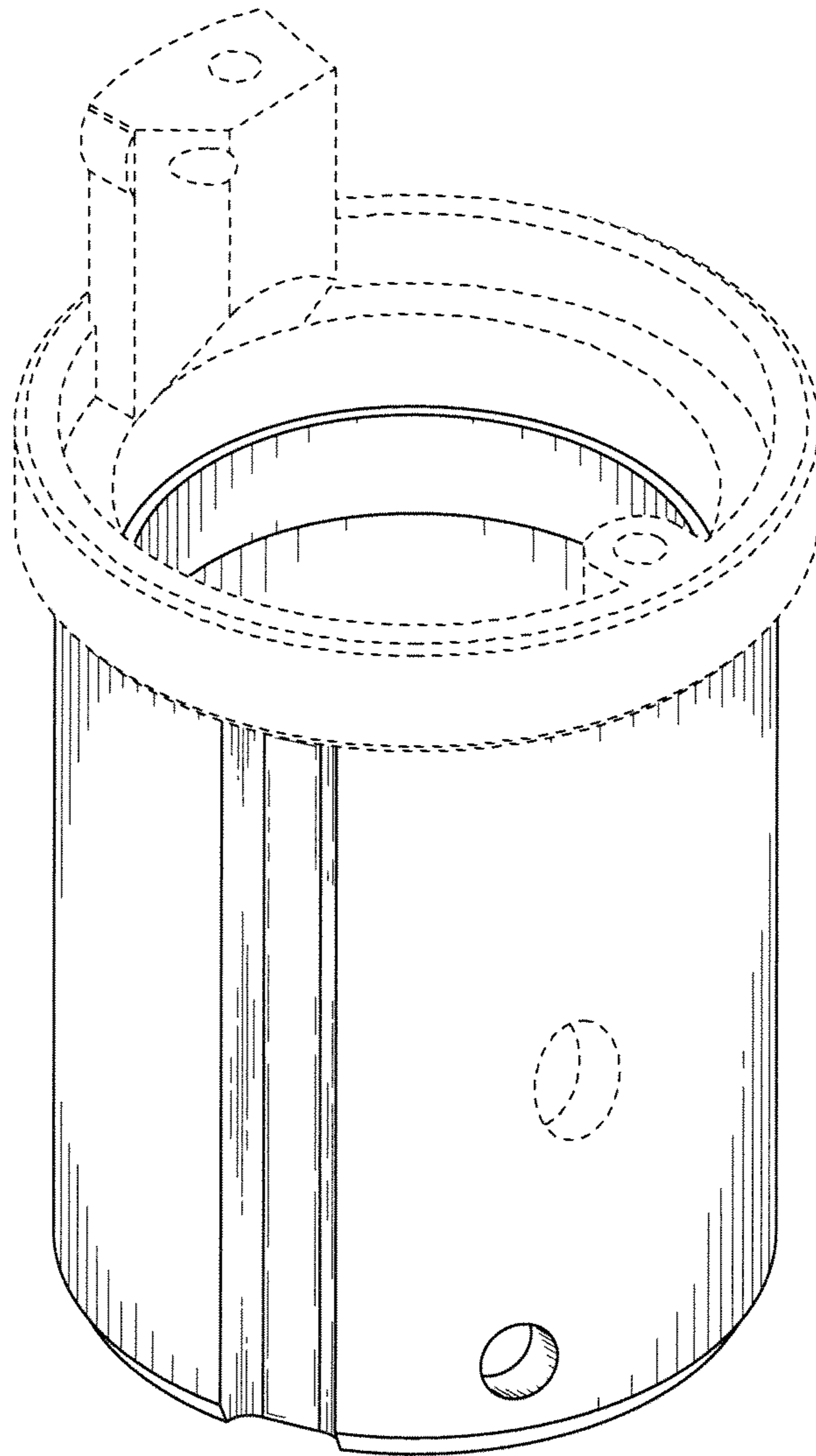


FIG. 15

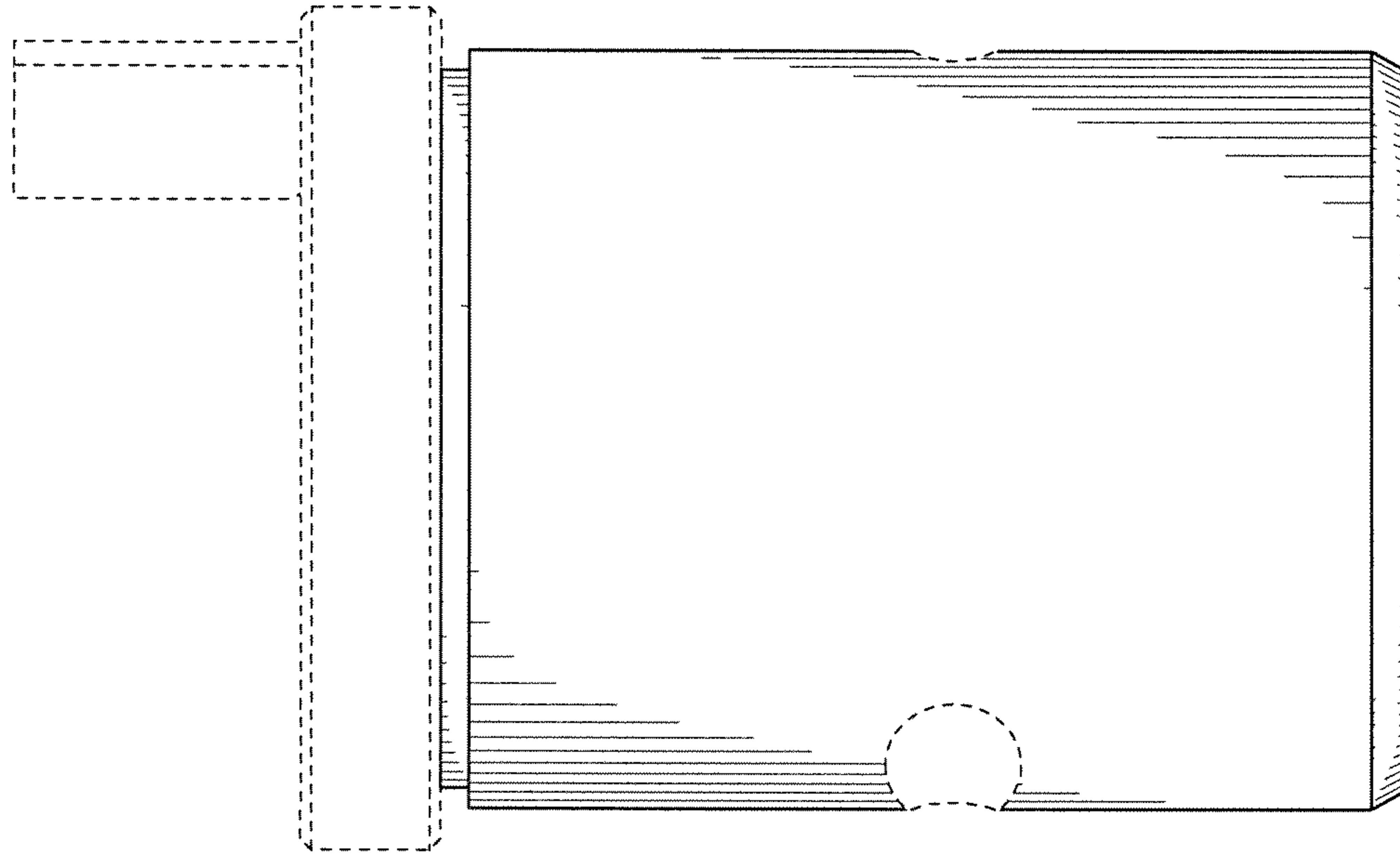


FIG. 17

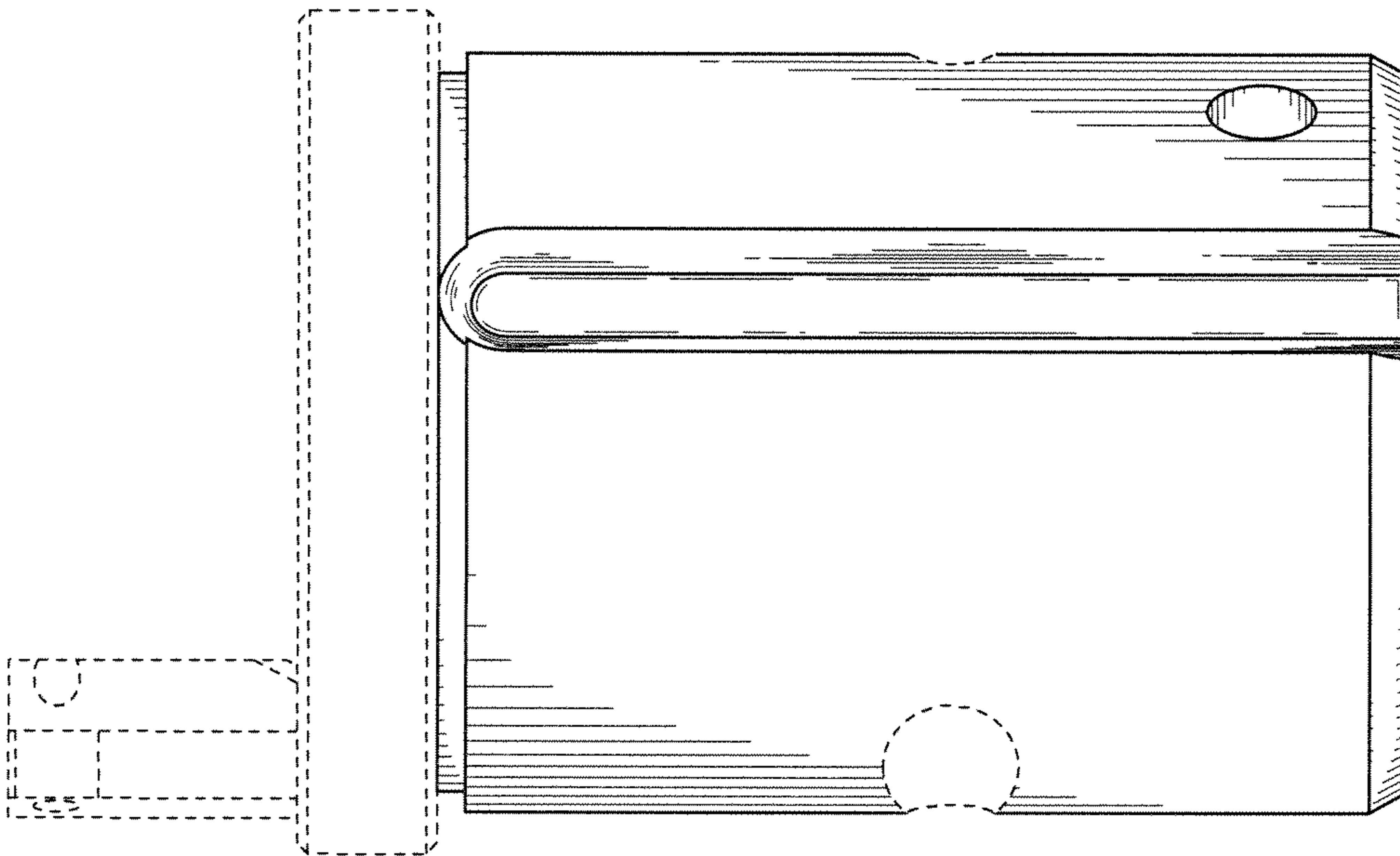


FIG. 16

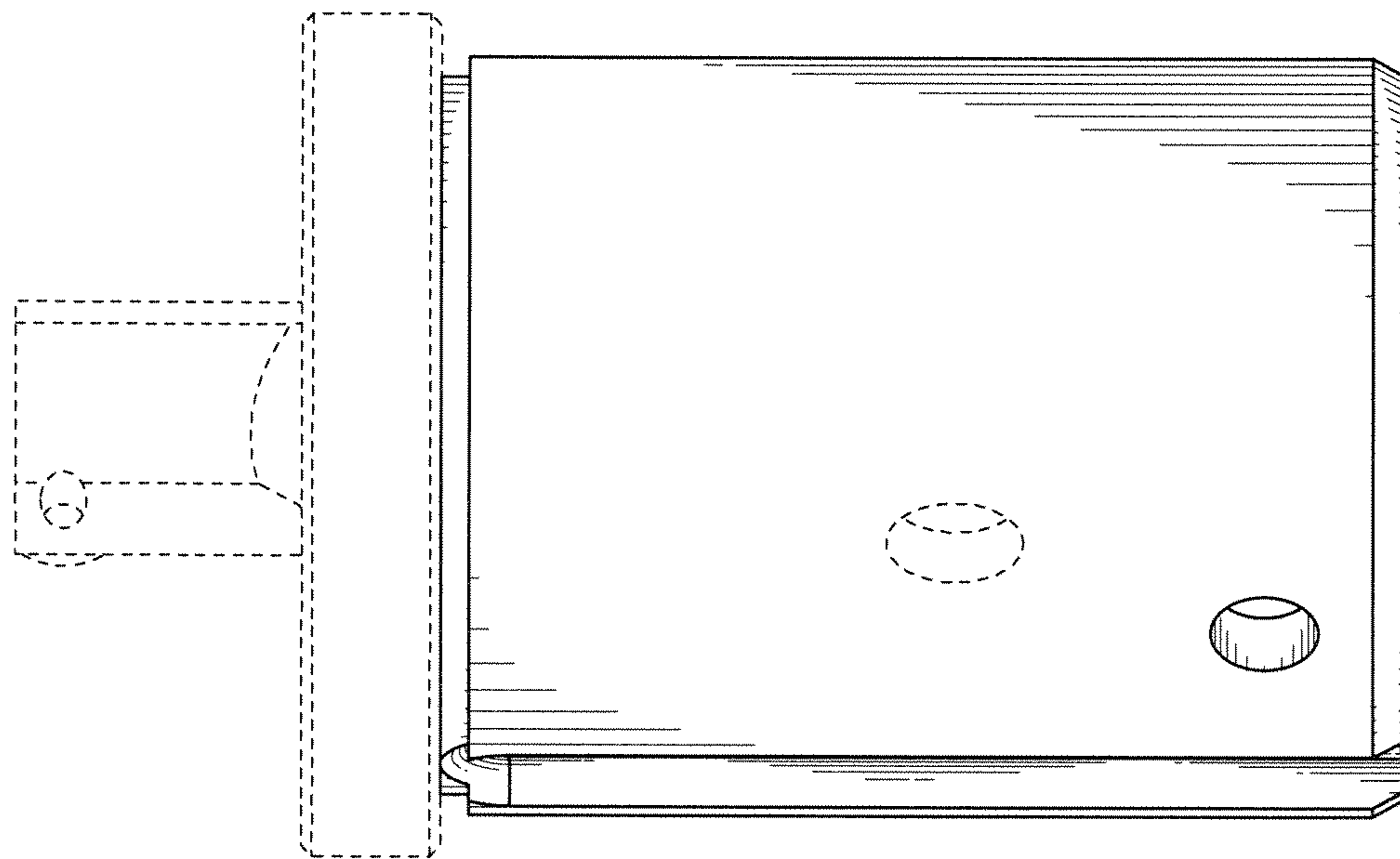


FIG. 18

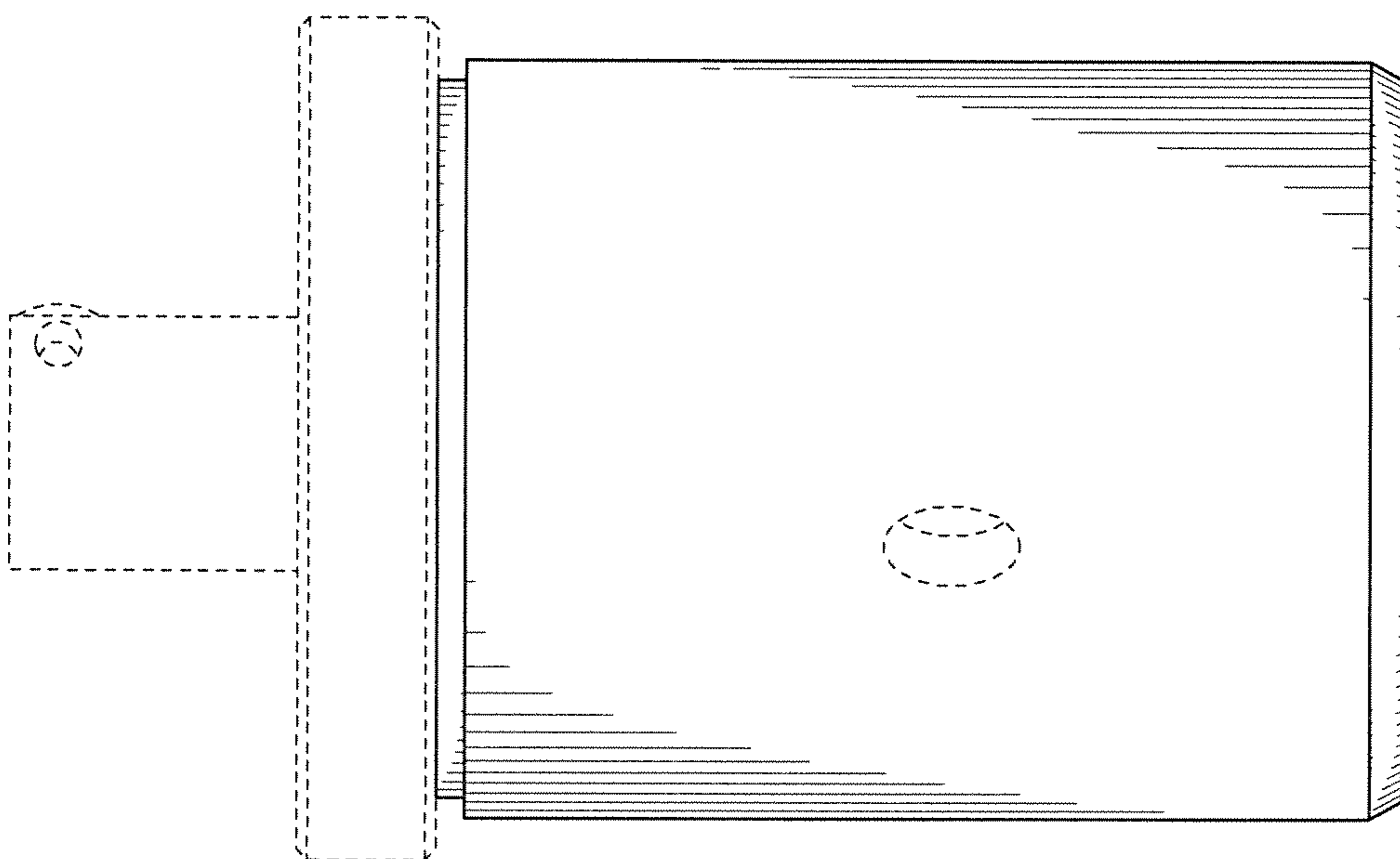


FIG. 19

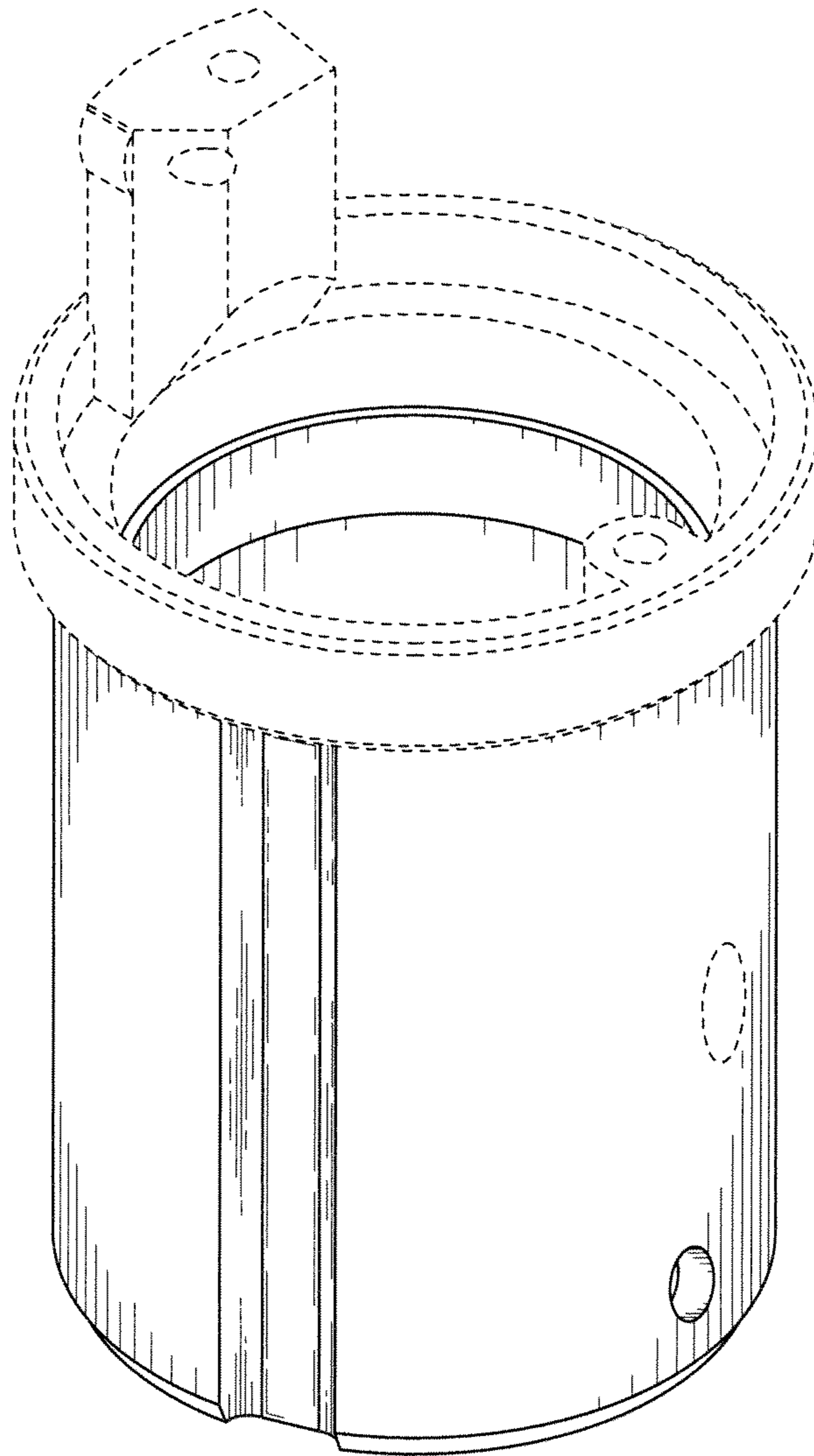


FIG. 20

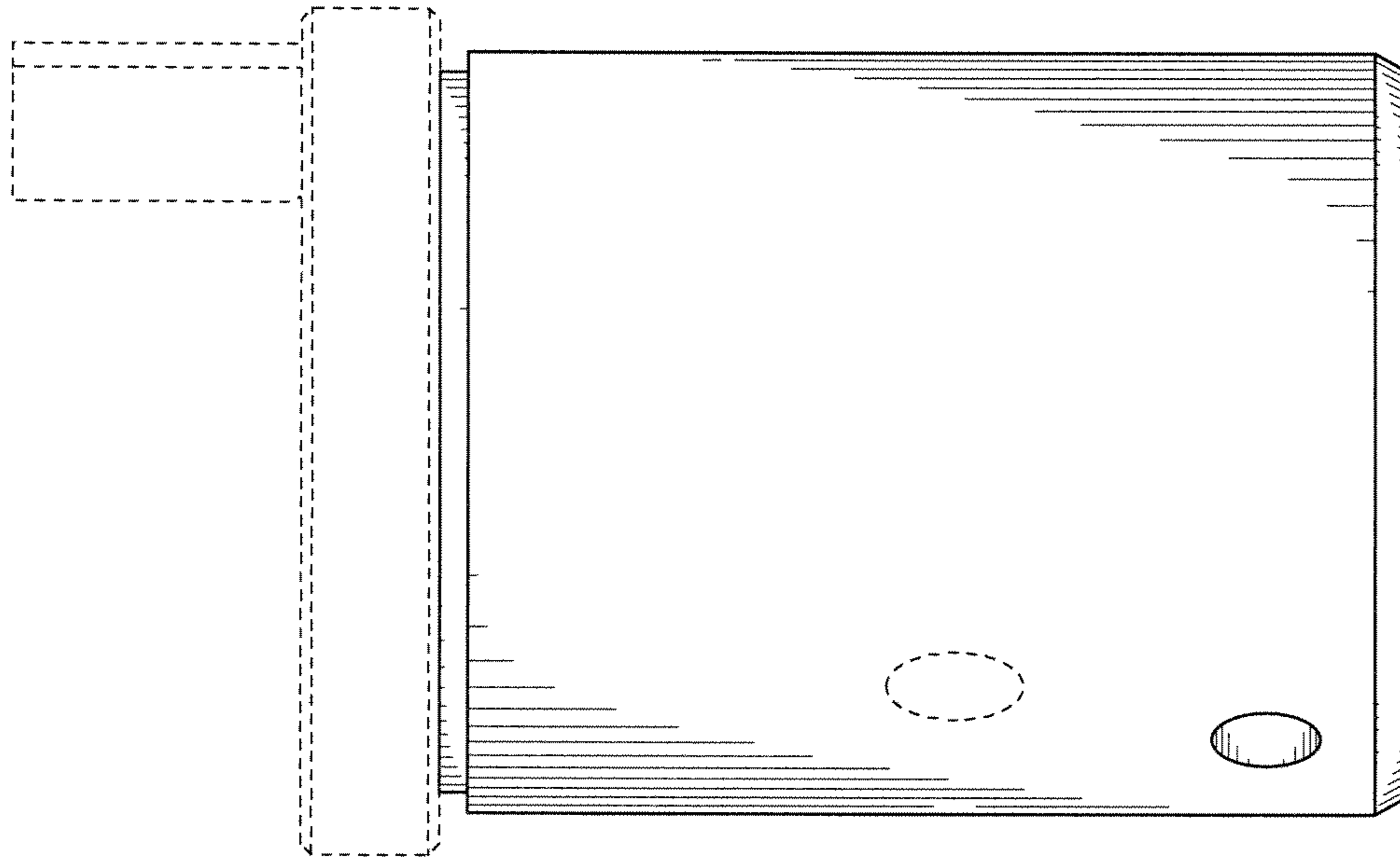


FIG. 22

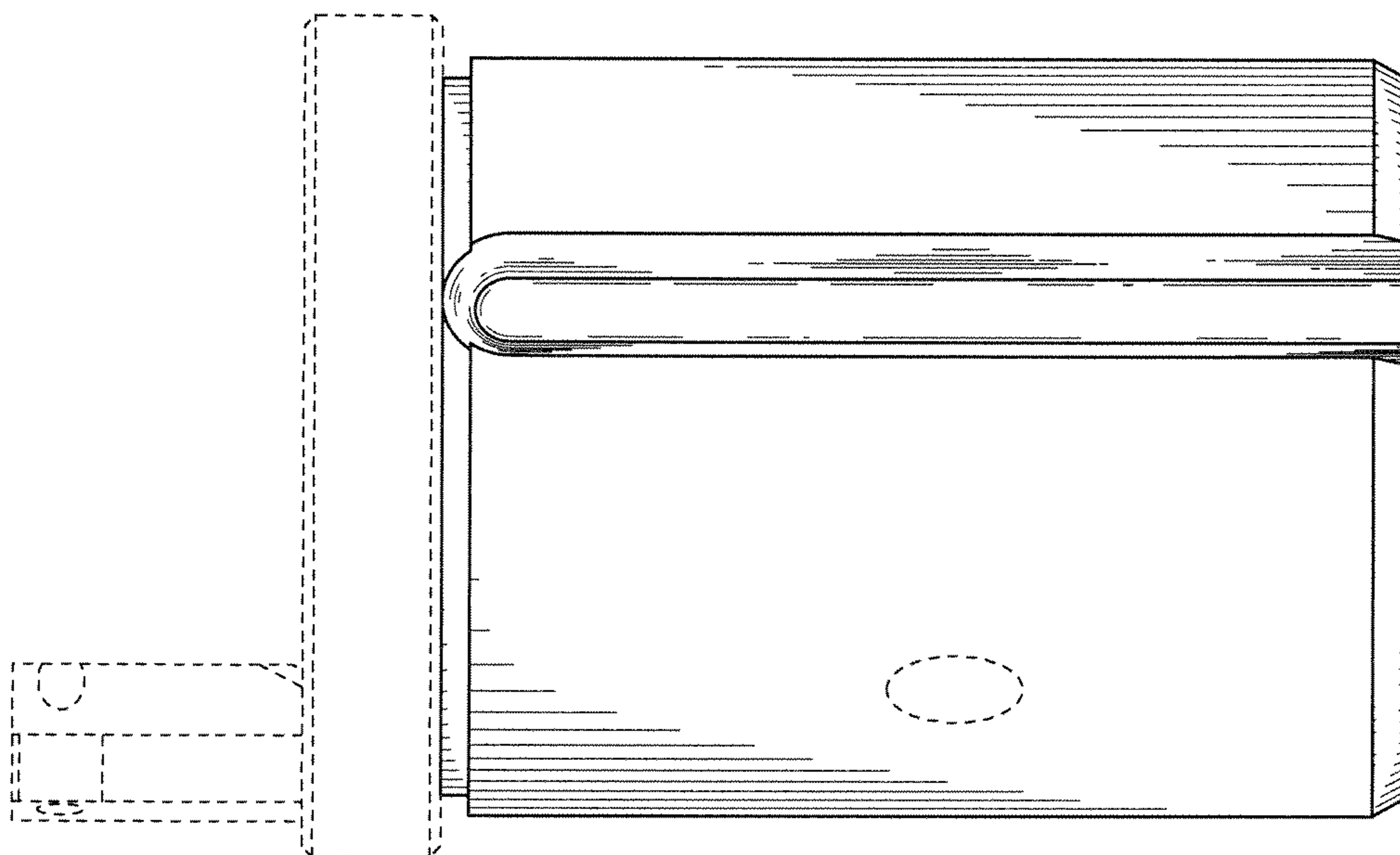


FIG. 21

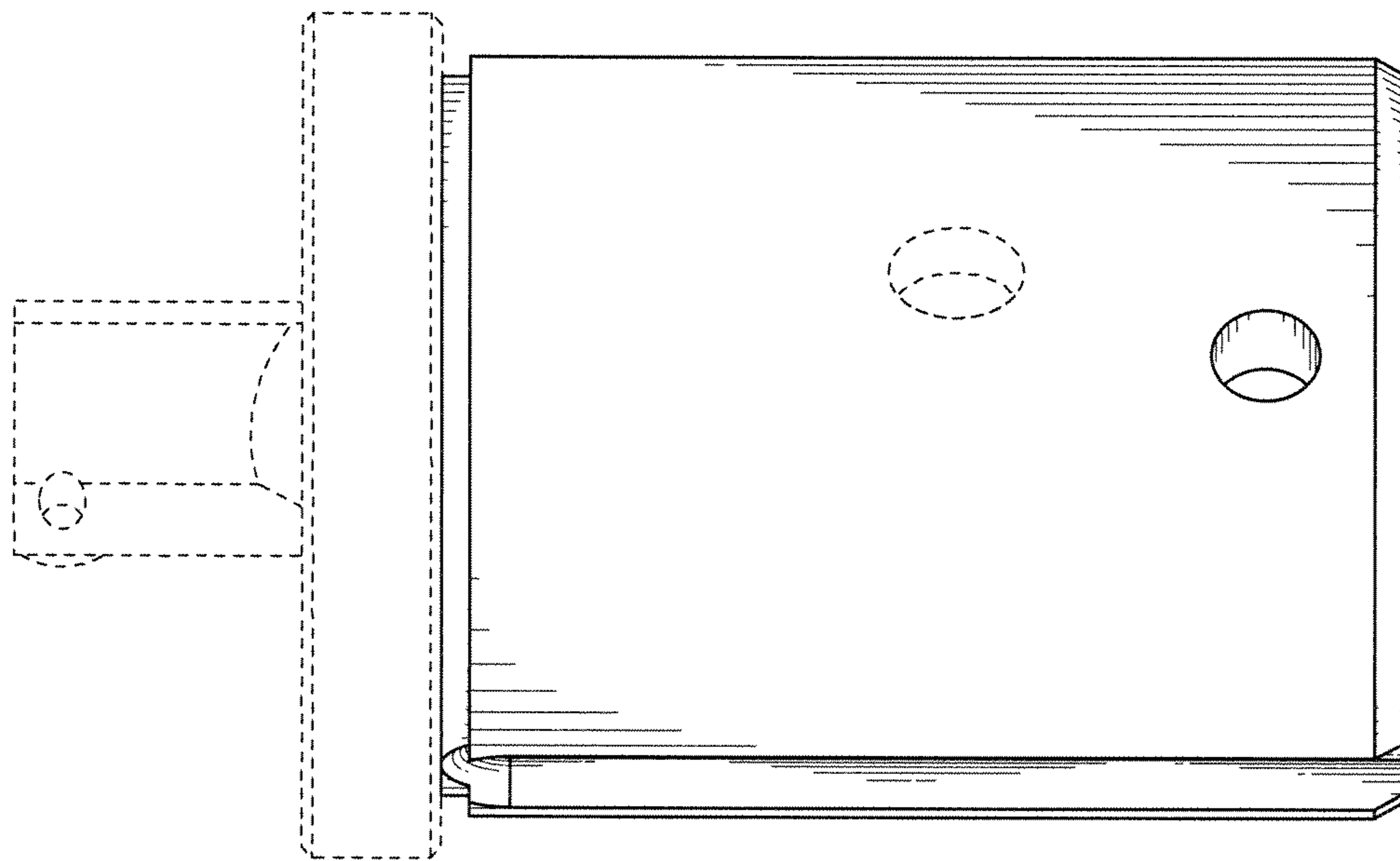


FIG. 24

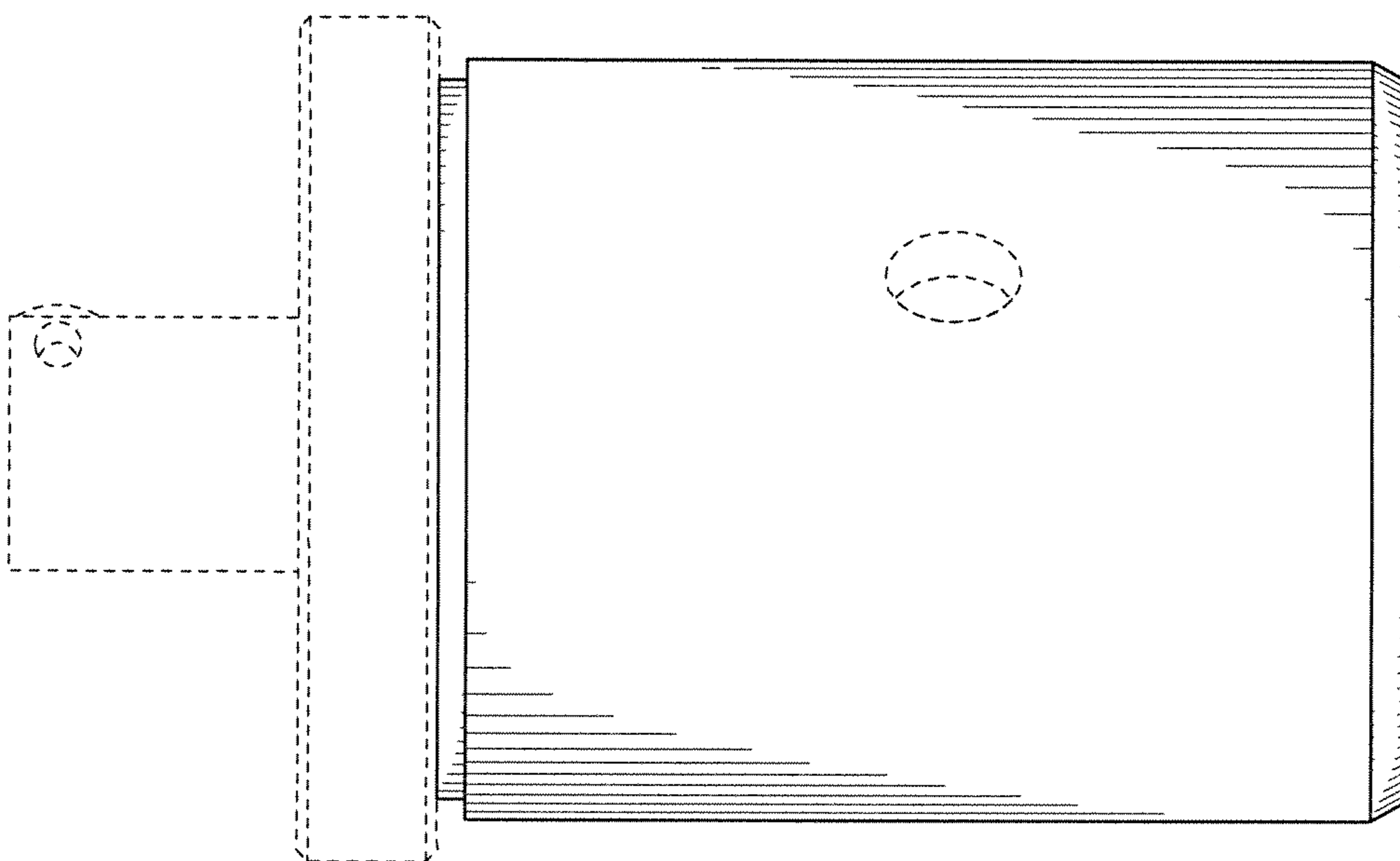


FIG. 23

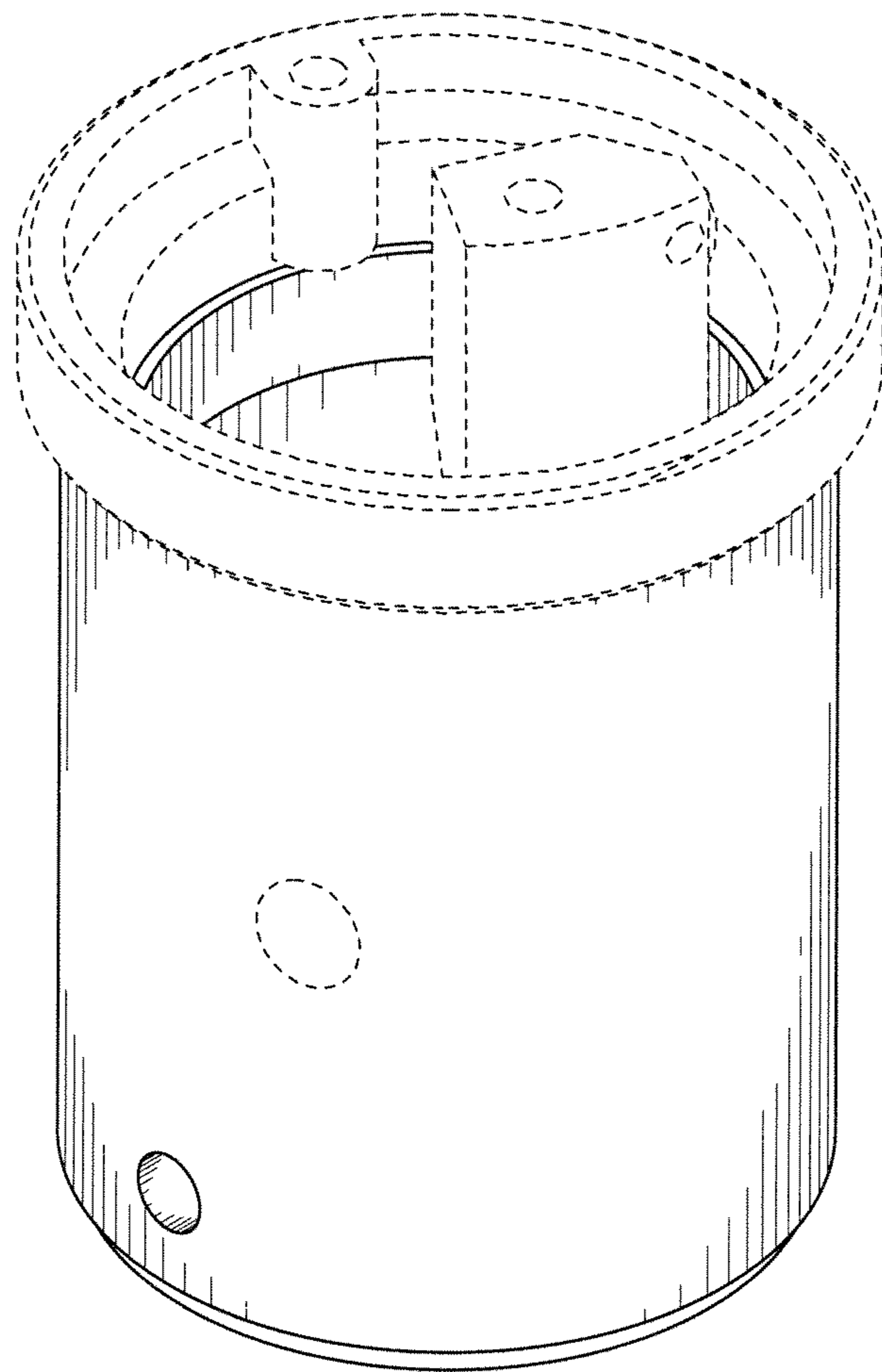


FIG. 25

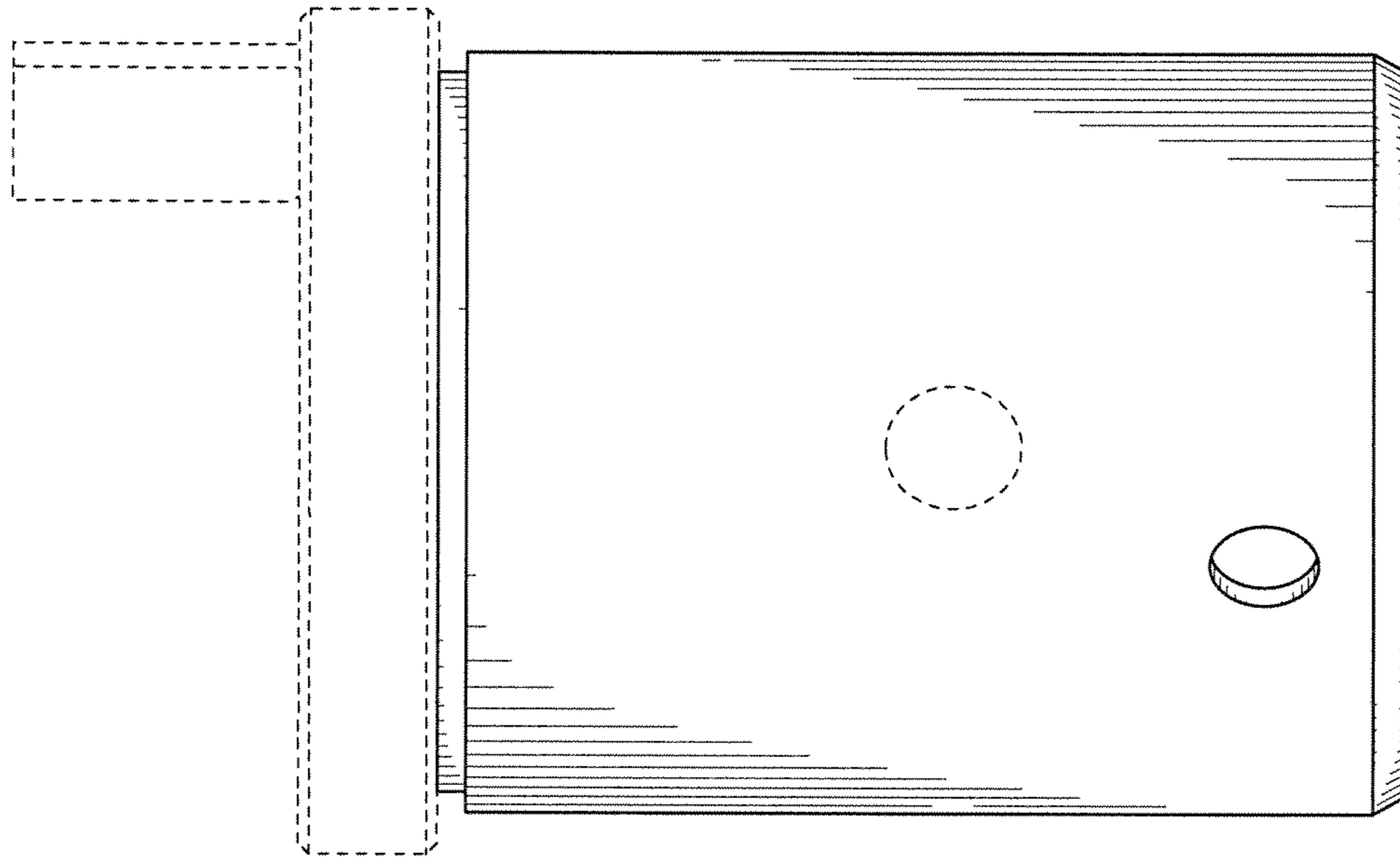


FIG. 27

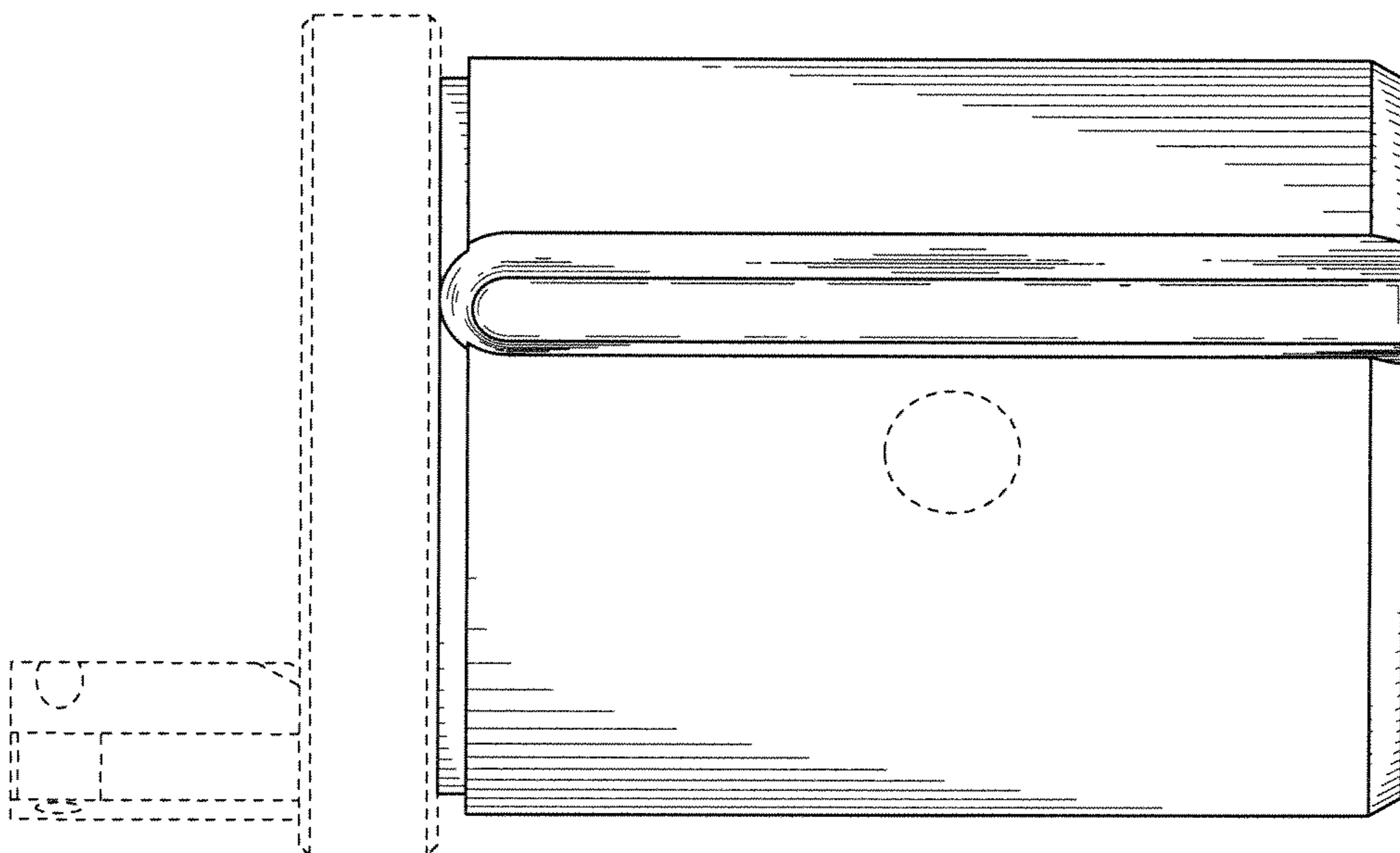


FIG. 26

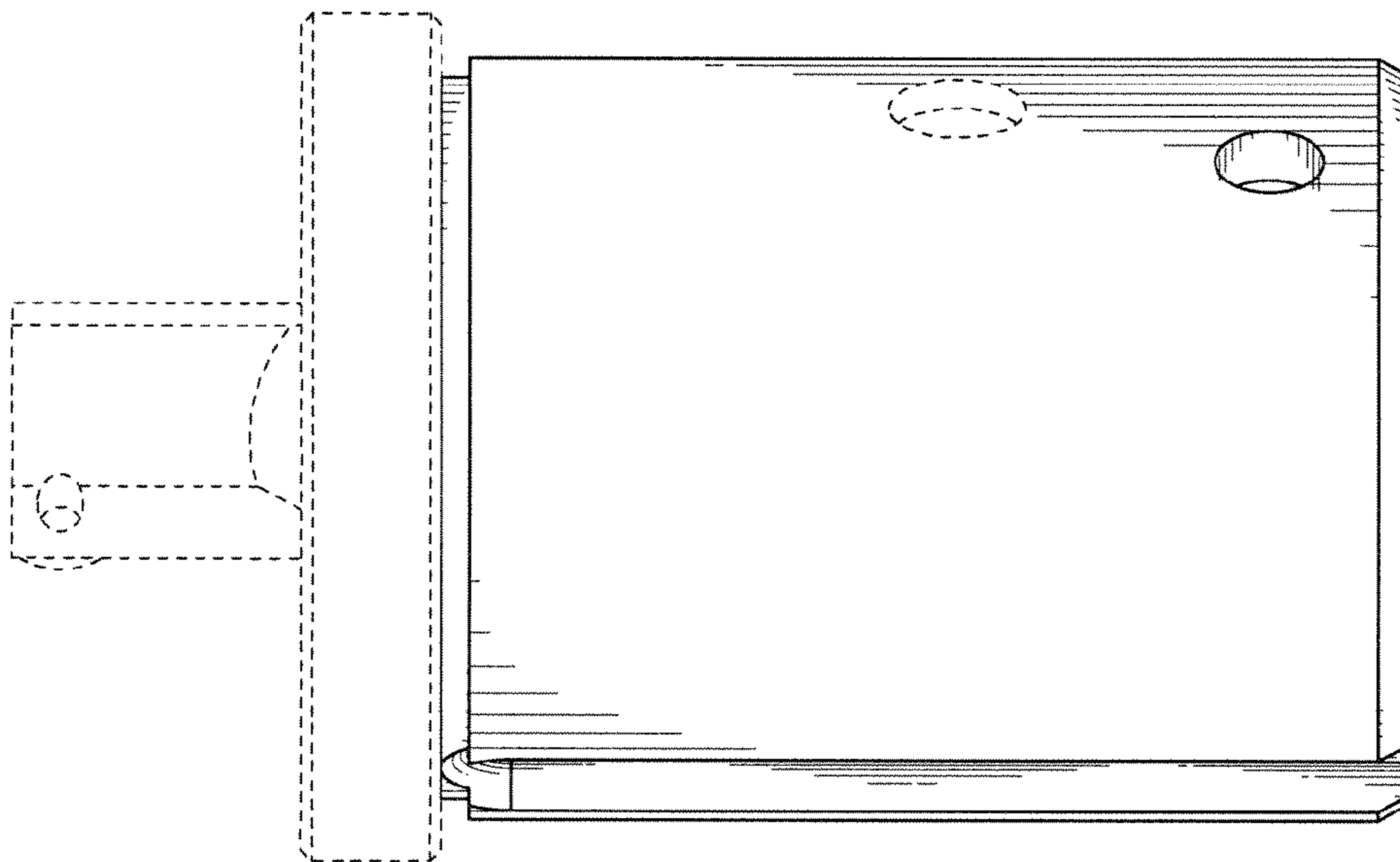


FIG. 29

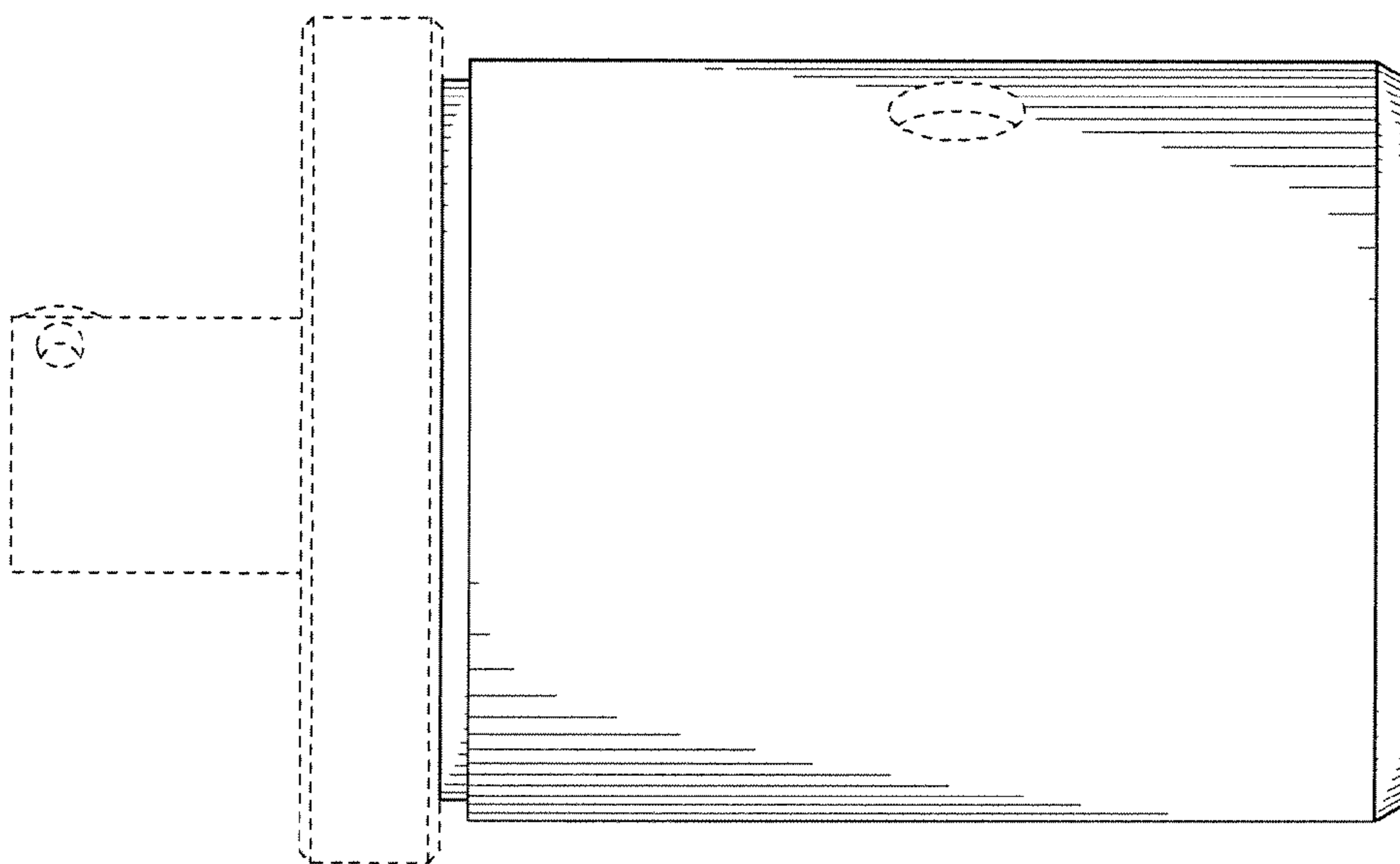


FIG. 28

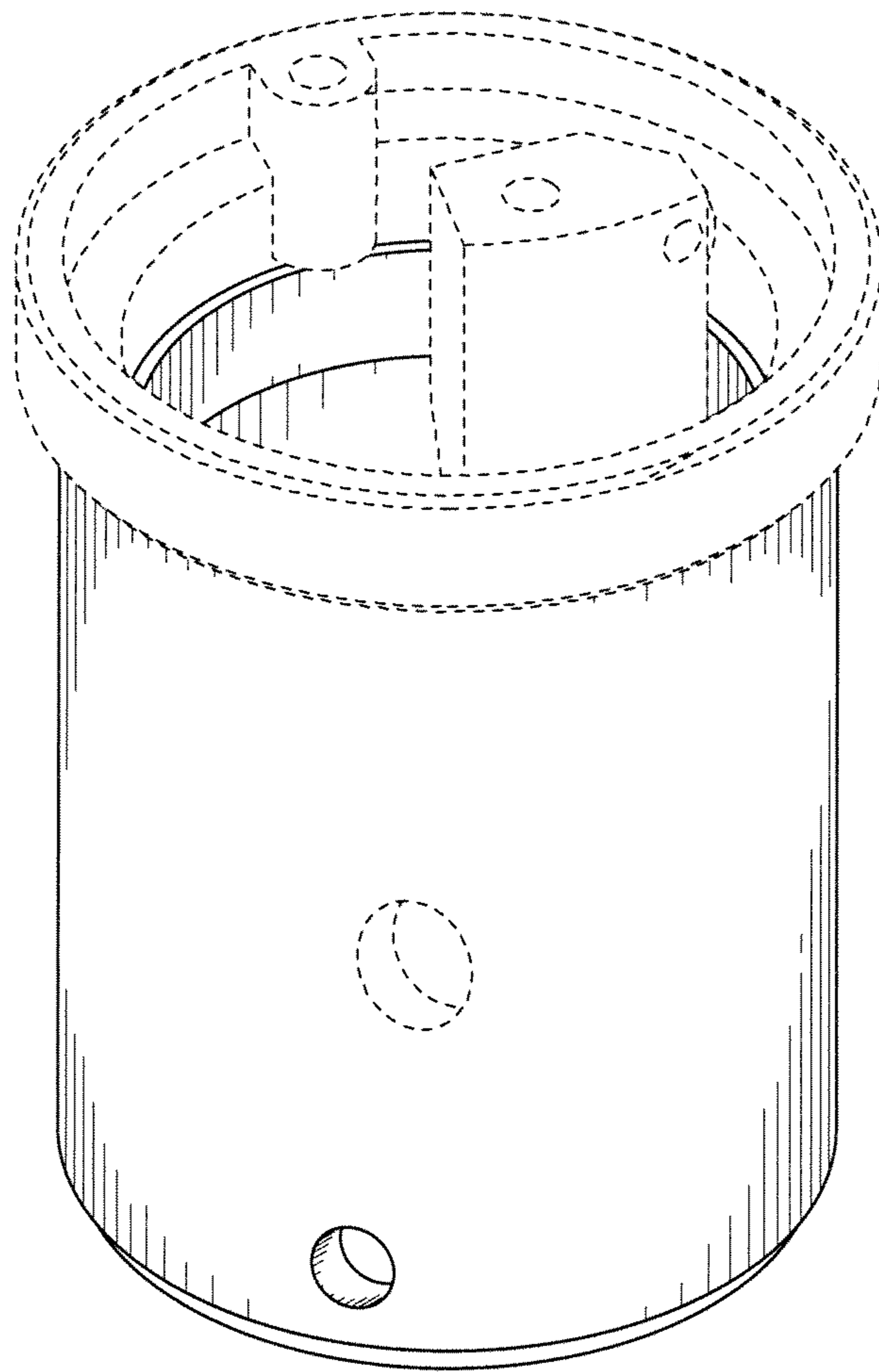


FIG. 30

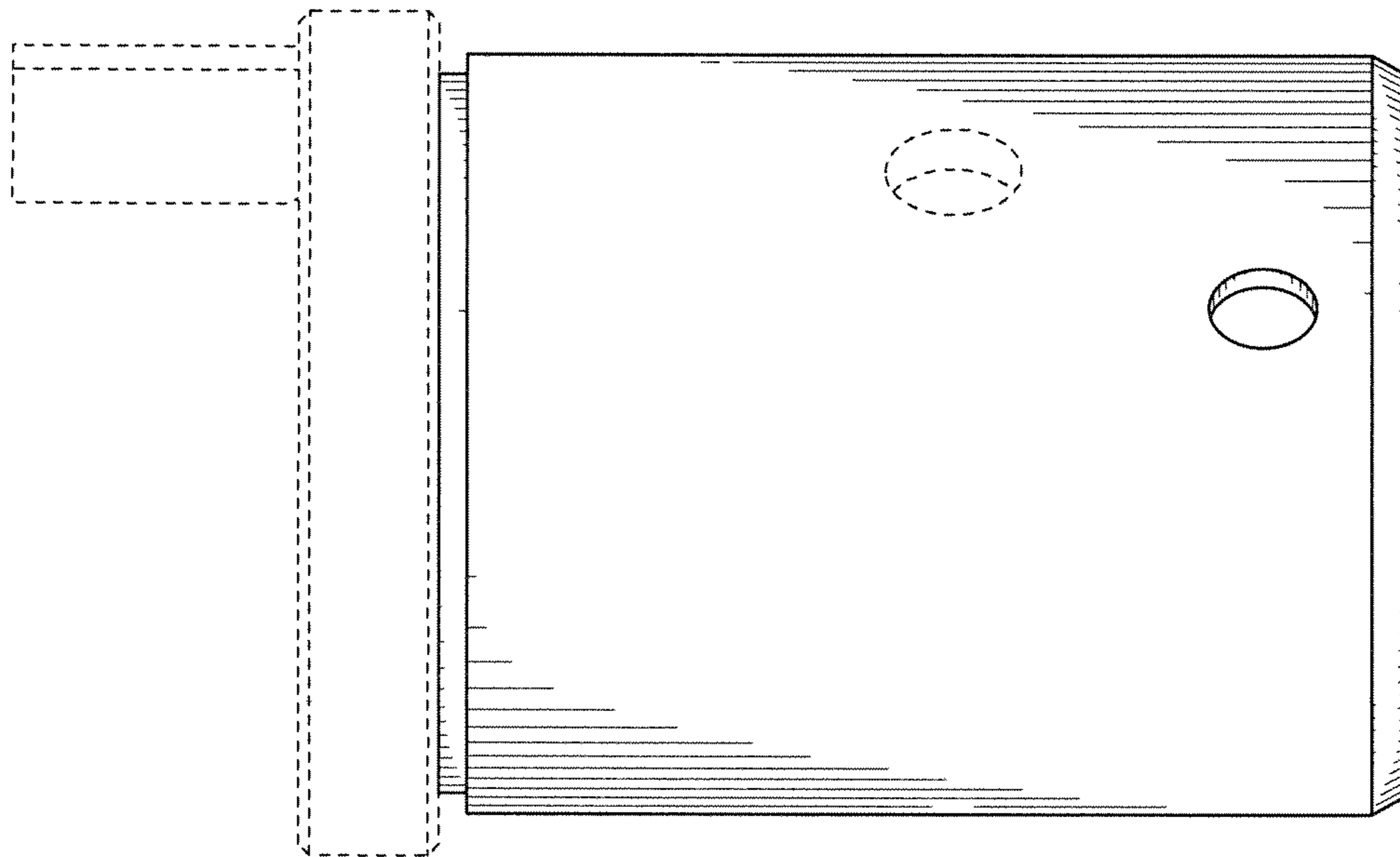


FIG. 32

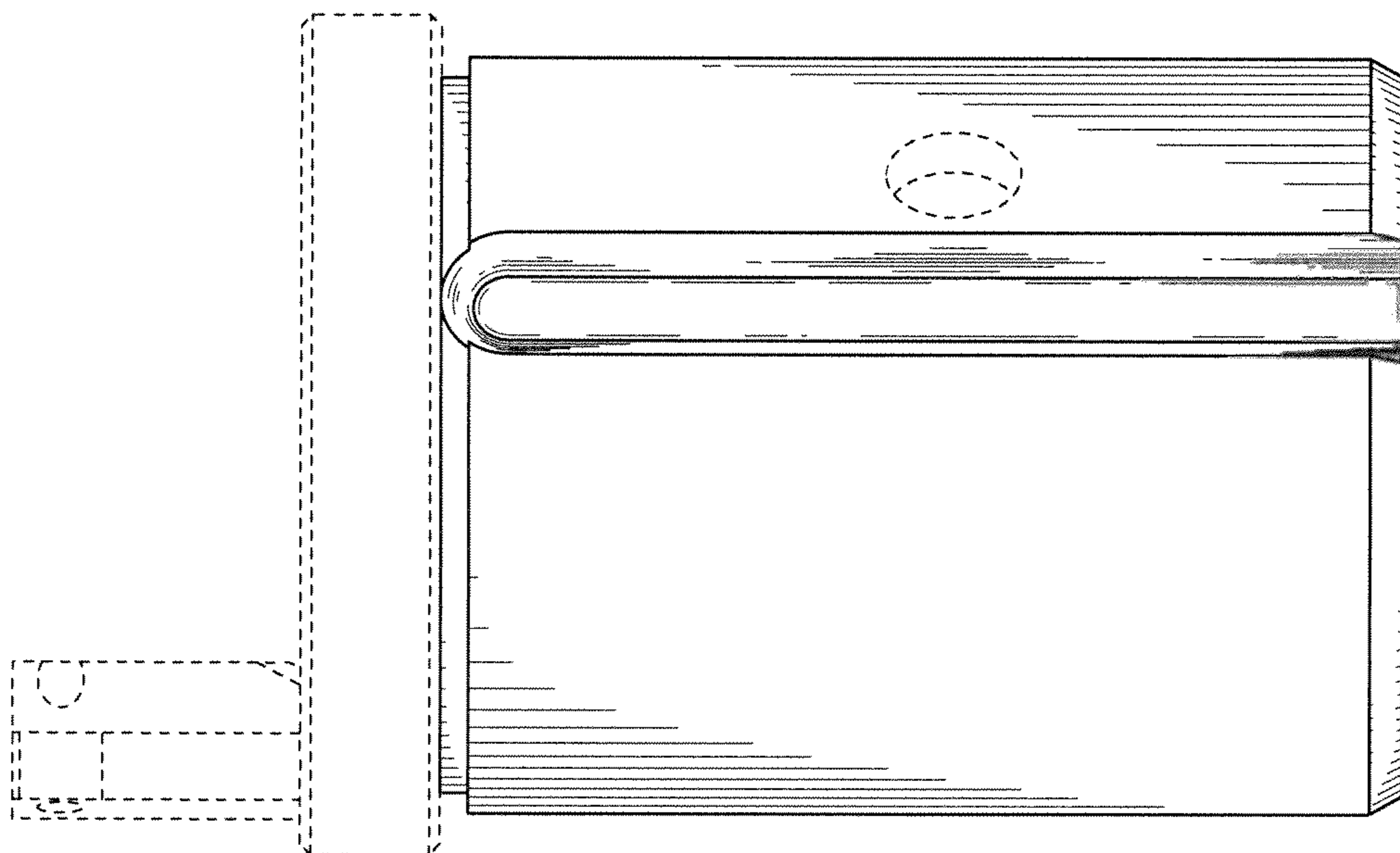


FIG. 31

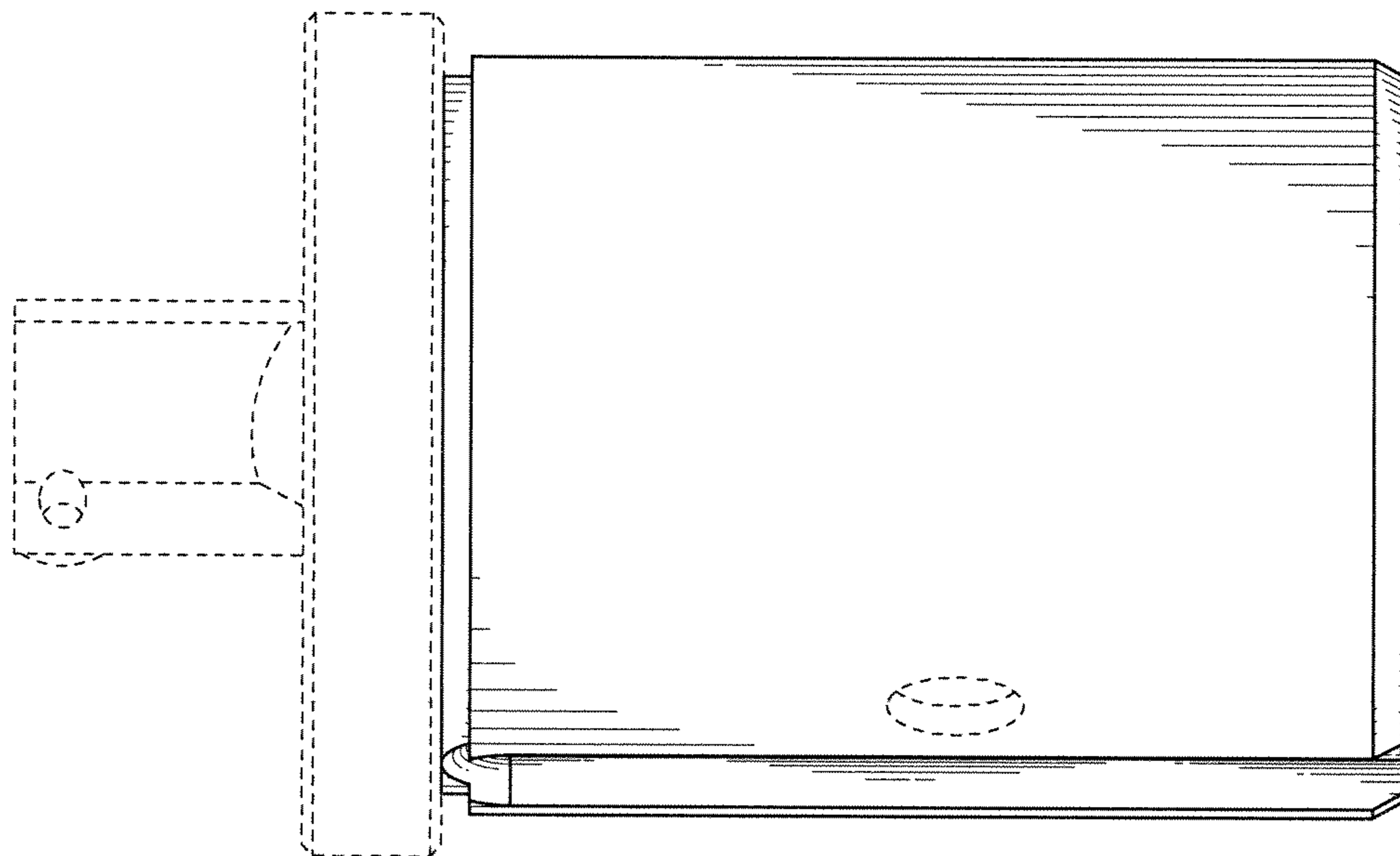


FIG. 34

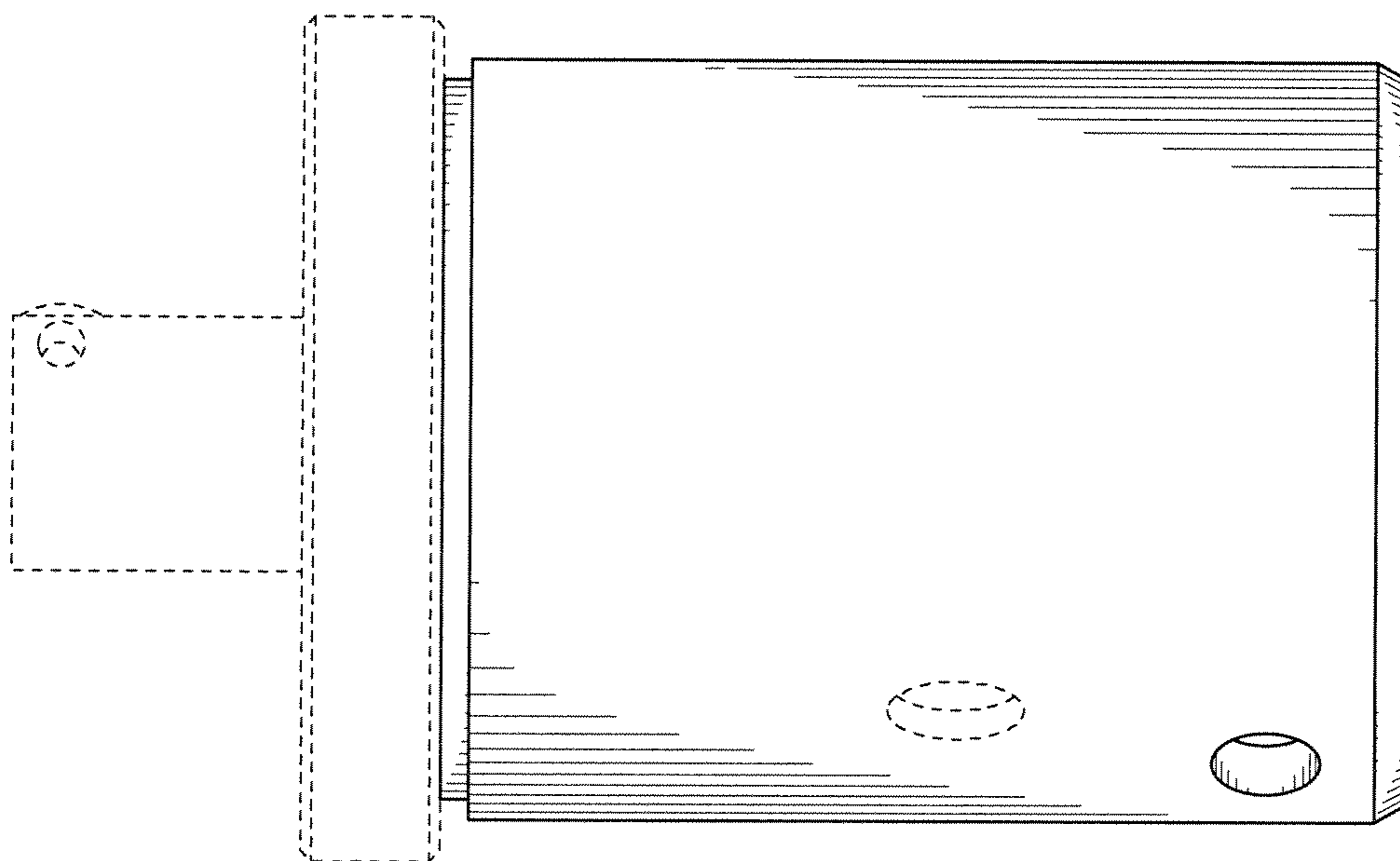


FIG. 33

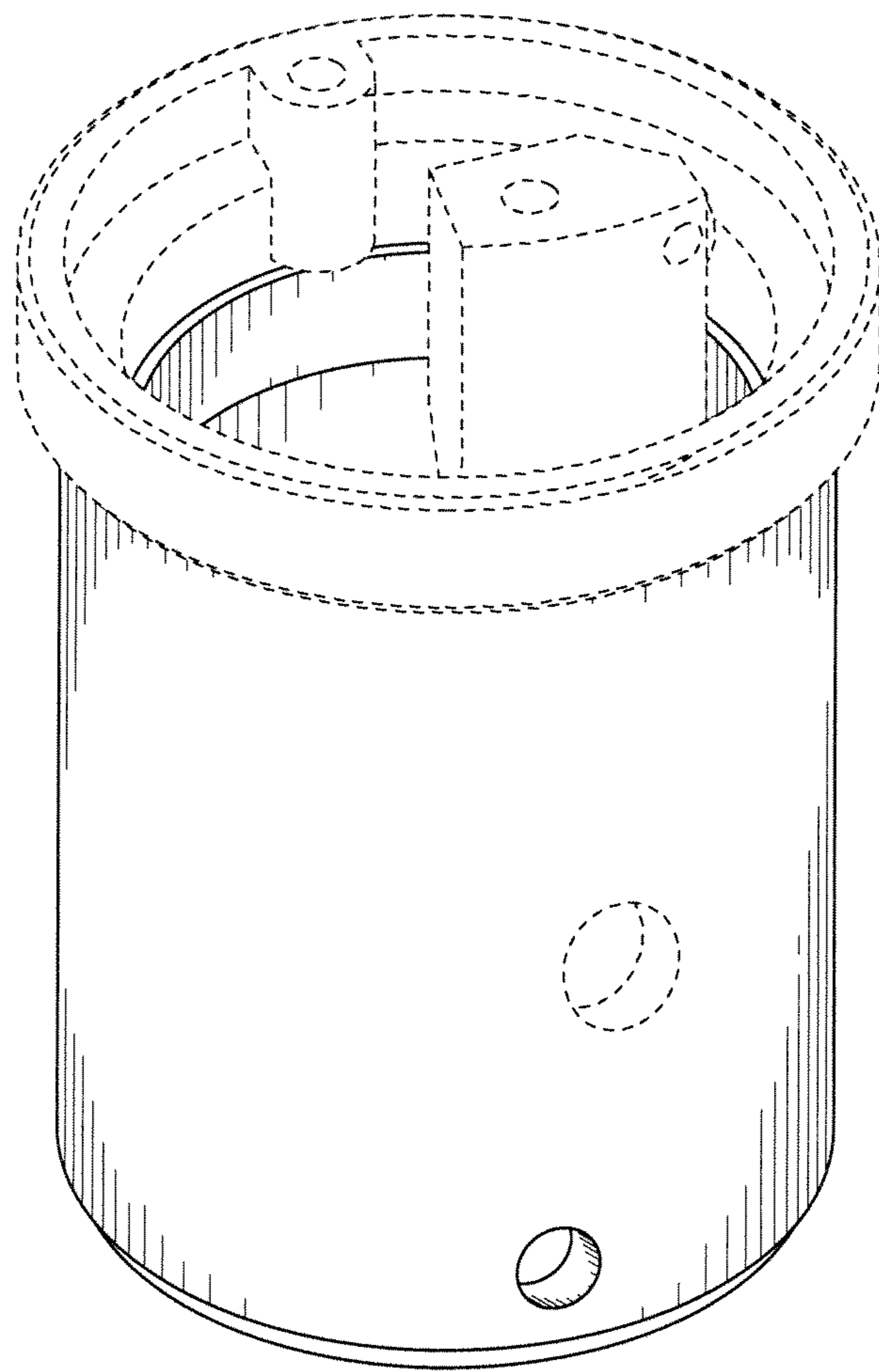


FIG. 35

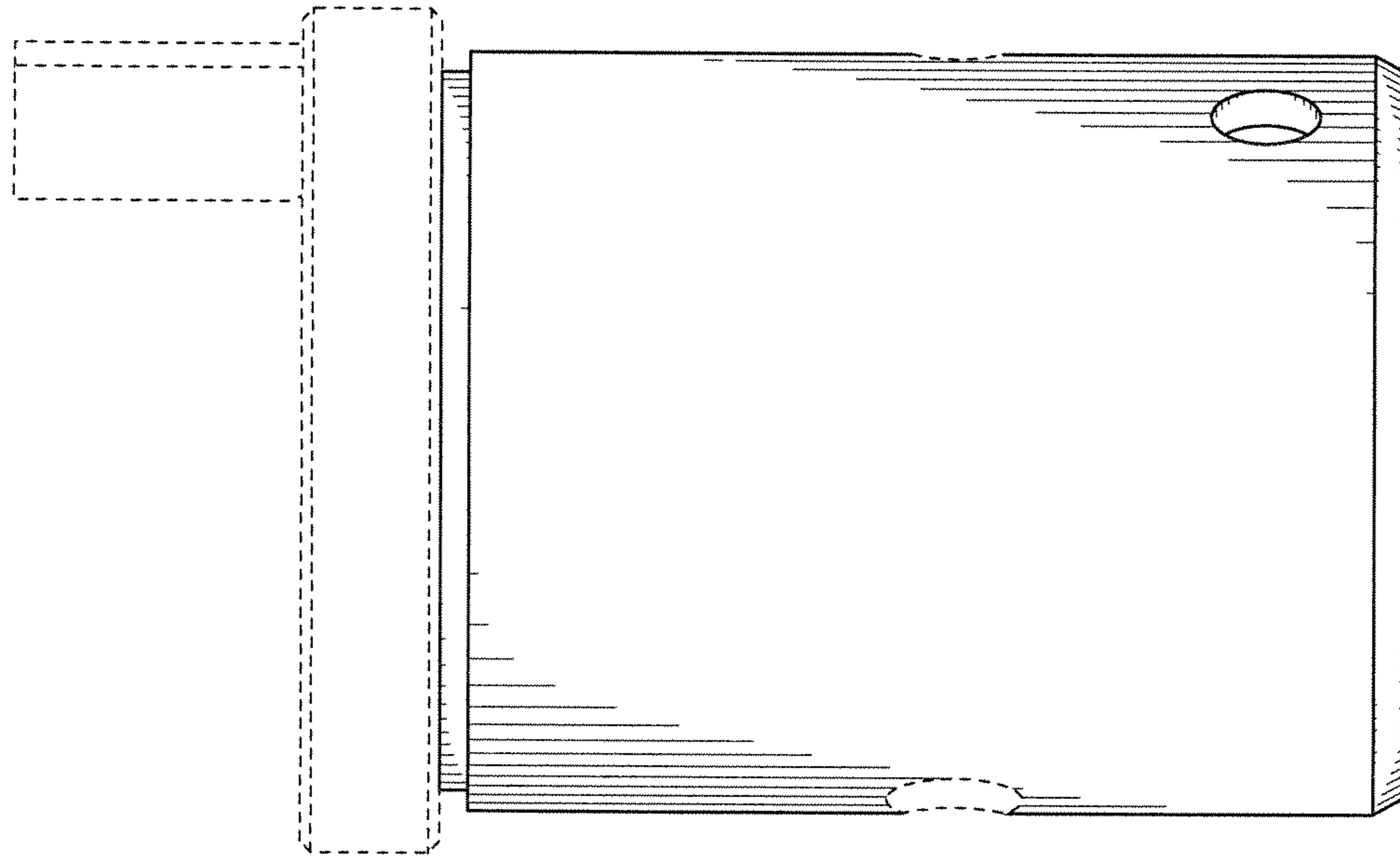


FIG. 36

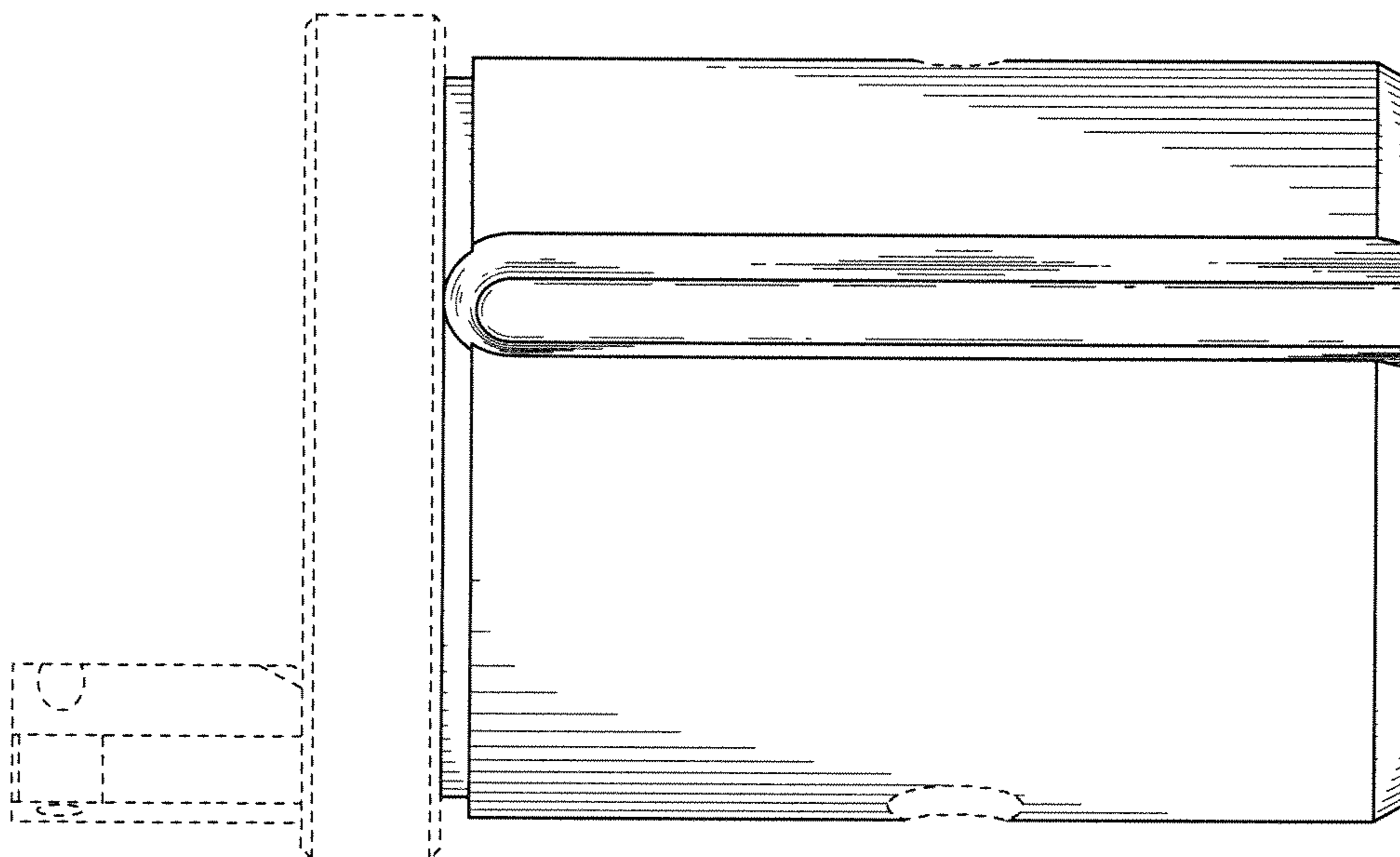


FIG. 37

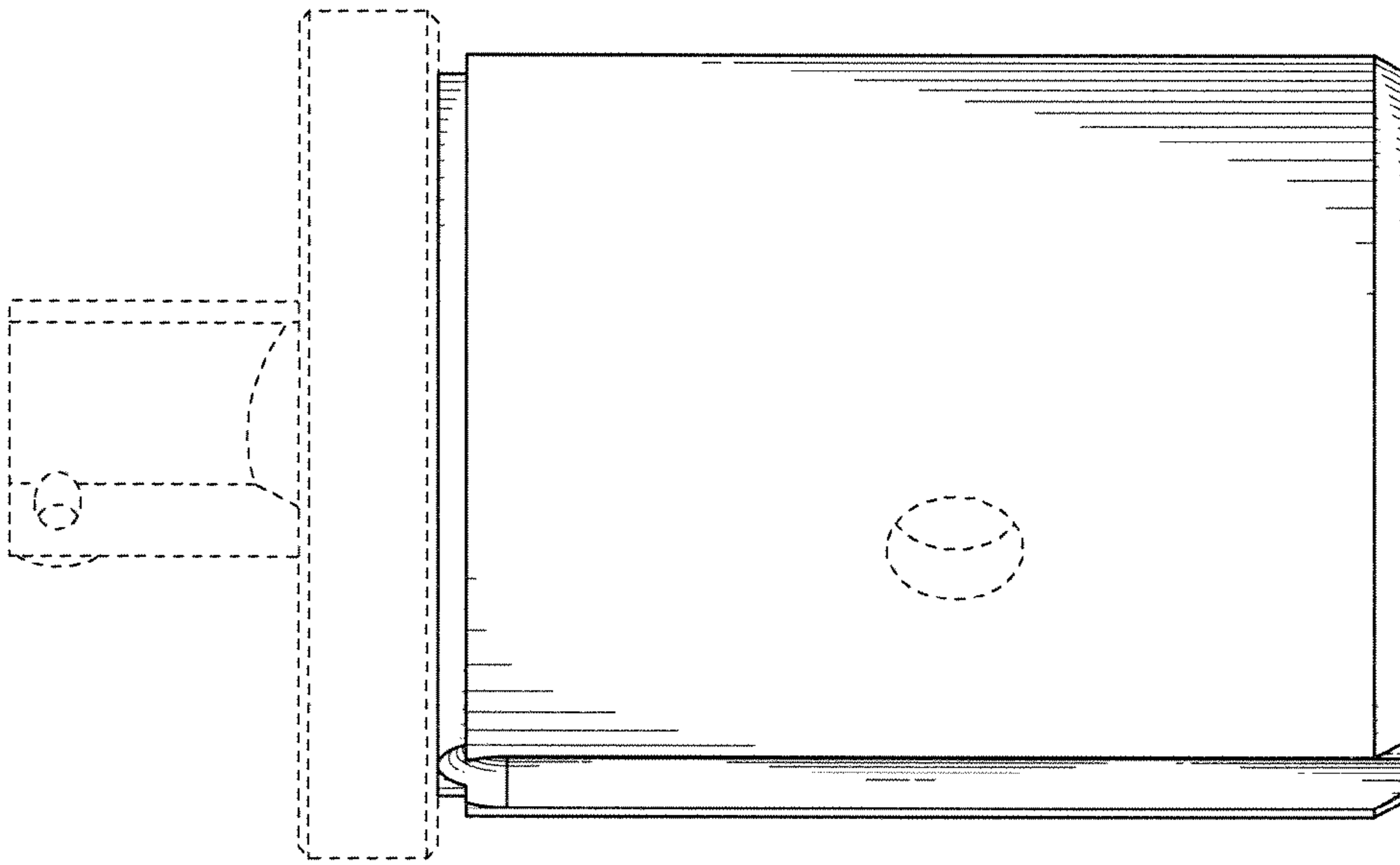


FIG. 39

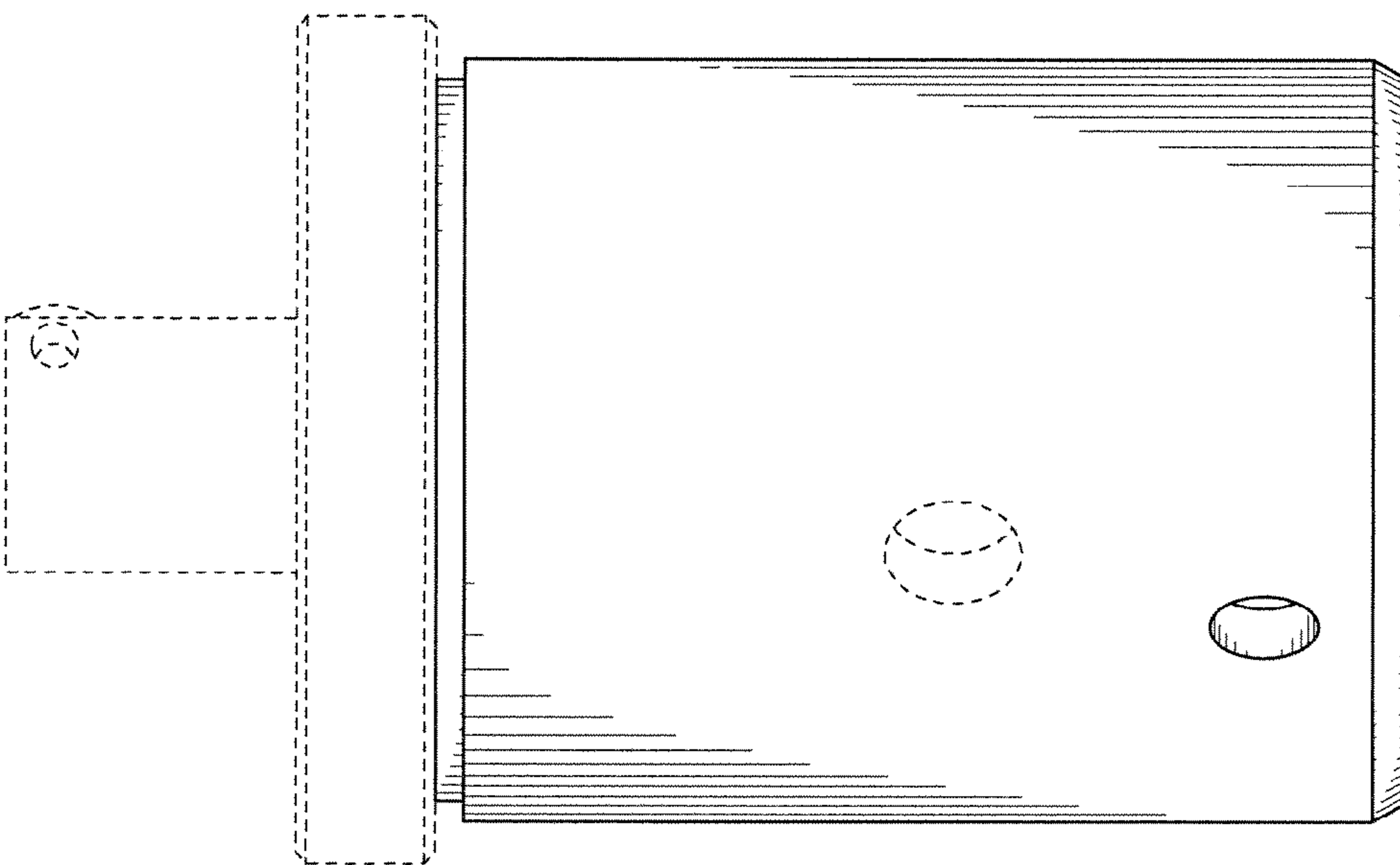


FIG. 38