



US00D682655S

(12) **United States Design Patent**
Webb et al.

(10) **Patent No.:** **US D682,655 S**

(45) **Date of Patent:** **** May 21, 2013**

- (54) **ELECTROMAGNETIC LOCK**
- (75) Inventors: **Michael Allen Webb**, Cave Creek, AZ (US); **Larry Gene Corwin, Jr.**, Phoenix, AZ (US)
- (73) Assignee: **Securitron Magnalock Corporation**, Phoenix, AZ (US)
- (**) Term: **14 Years**
- (21) Appl. No.: **29/408,774**
- (22) Filed: **Dec. 16, 2011**
- (51) **LOC (9) Cl.** **08-07**
- (52) **U.S. Cl.**
USPC **D8/330; D8/331**
- (58) **Field of Classification Search** D8/330, D8/331, 336, 338, 339, 340, 343; 70/14, 70/2, 51, 57, 57.1, 91, 107, 141, 276-283; 292/2, 32, 137, 288, 289, 290, 292
See application file for complete search history.

- D593,398 S * 6/2009 Pelletier et al. D8/330
- 7,712,341 B2 * 5/2010 Johansson et al. 70/278.3
- D618,081 S * 6/2010 Moyer D8/331
- D630,489 S * 1/2011 Gratzki et al. D8/330
- 8,033,583 B2 * 10/2011 Chang 292/144
- 8,217,743 B2 * 7/2012 Liu 335/288
- 8,341,988 B2 * 1/2013 Nickeas et al. 70/276

* cited by examiner

Primary Examiner — Prabhakar Deshmukh
(74) *Attorney, Agent, or Firm* — Woods Oviatt Gilman LLP

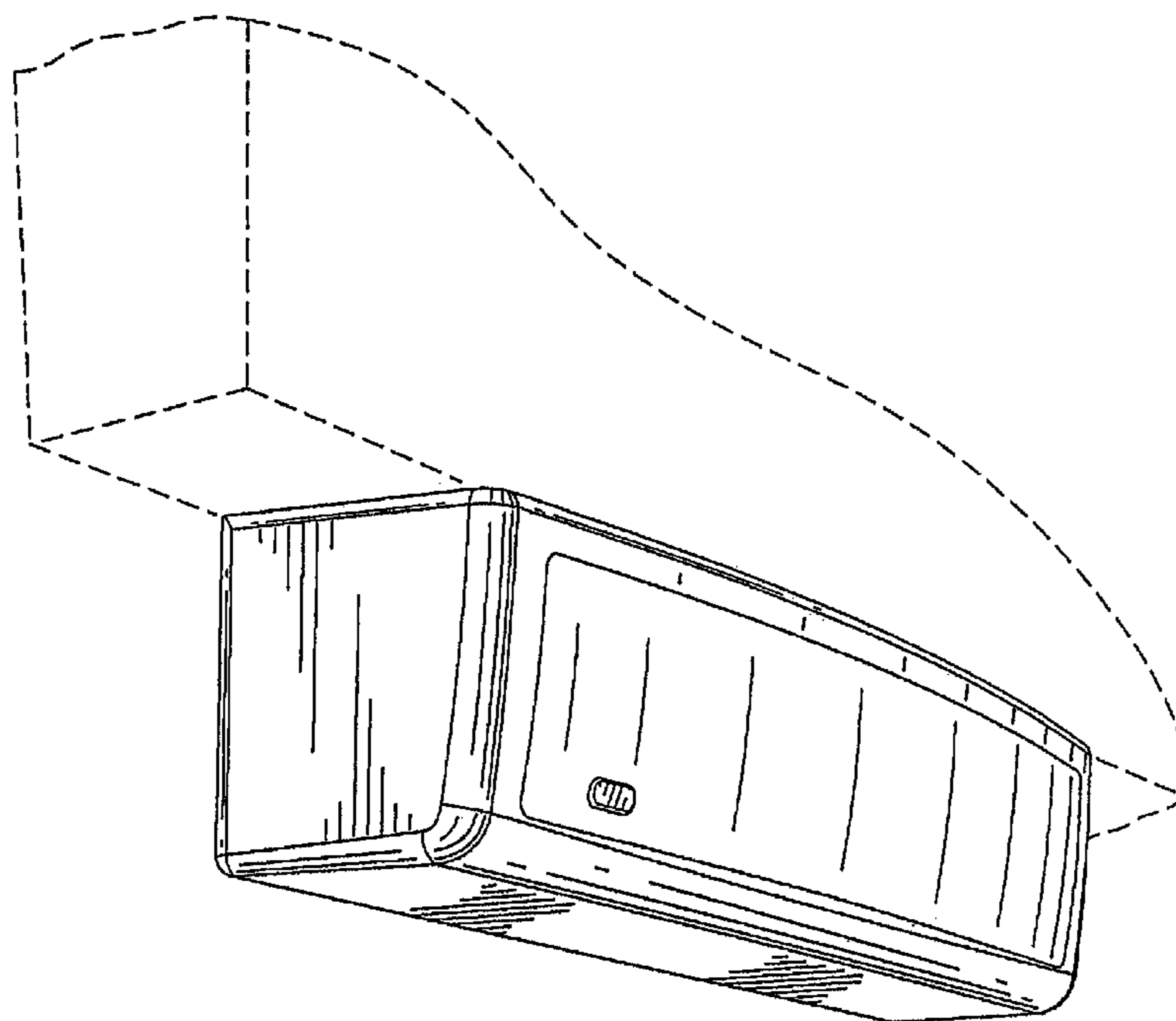
(57) **CLAIM**
The ornamental design for the electromagnetic lock, as shown and described.

DESCRIPTION

FIG. 1 is an isometric view of an electromagnetic lock showing our new design;
FIG. 2 is a front view thereof;
FIG. 3 is a bottom view thereof;
FIG. 4 is a back view thereof;
FIG. 5 is a right side view thereof; and,
FIG. 6 is a left side view thereof.
The portions of the drawings shown in broken lines represent environmental structure and form no part of the claimed design.

1 Claim, 4 Drawing Sheets

- (56) **References Cited**
U.S. PATENT DOCUMENTS
5,894,277 A * 4/1999 Keskin et al. 340/5.21
6,577,217 B1 * 6/2003 Bournarie et al. 335/282
7,221,272 B2 * 5/2007 Hosselet 340/542
D580,739 S * 11/2008 Pelletier et al. D8/331



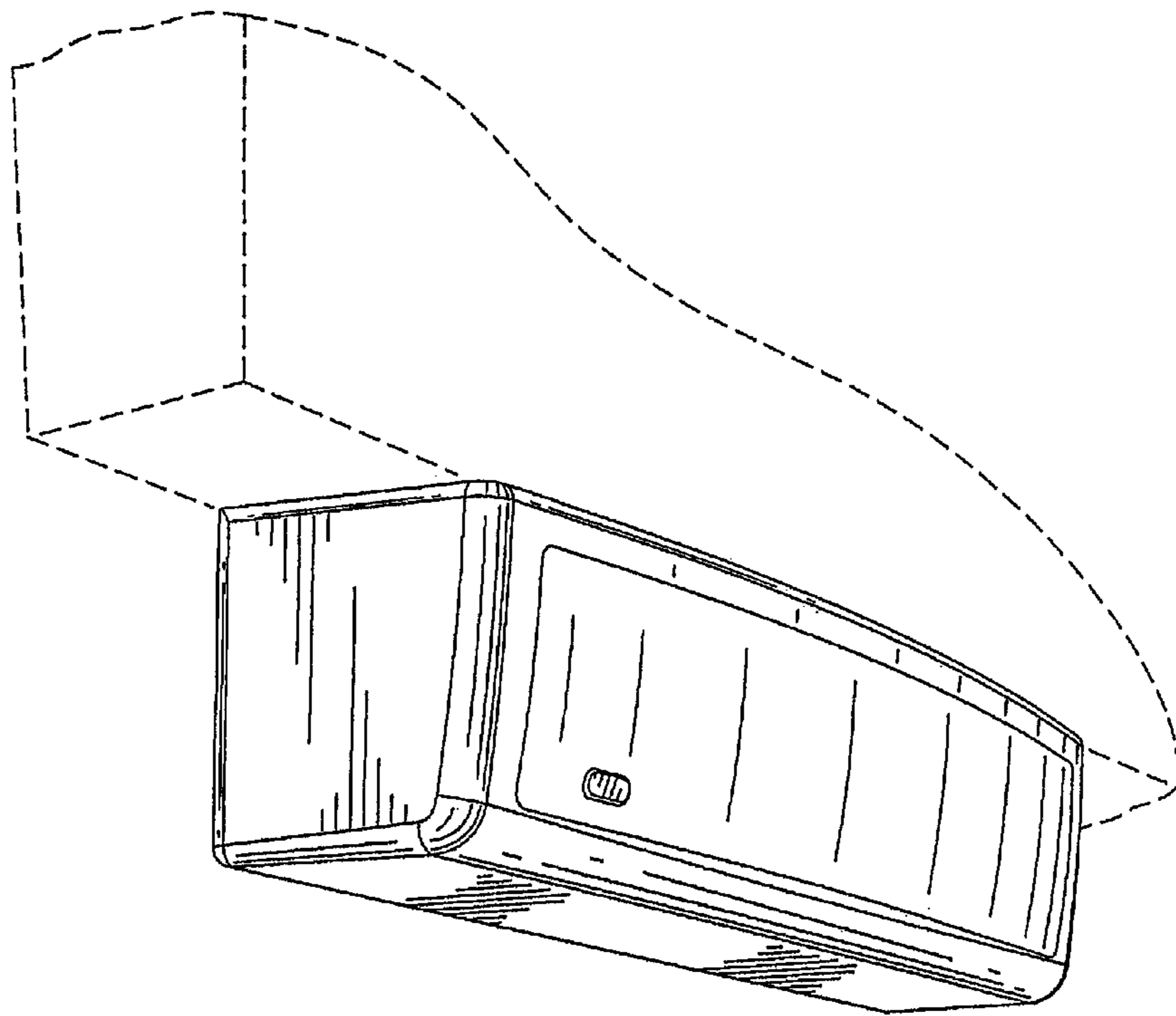


FIG. 1.

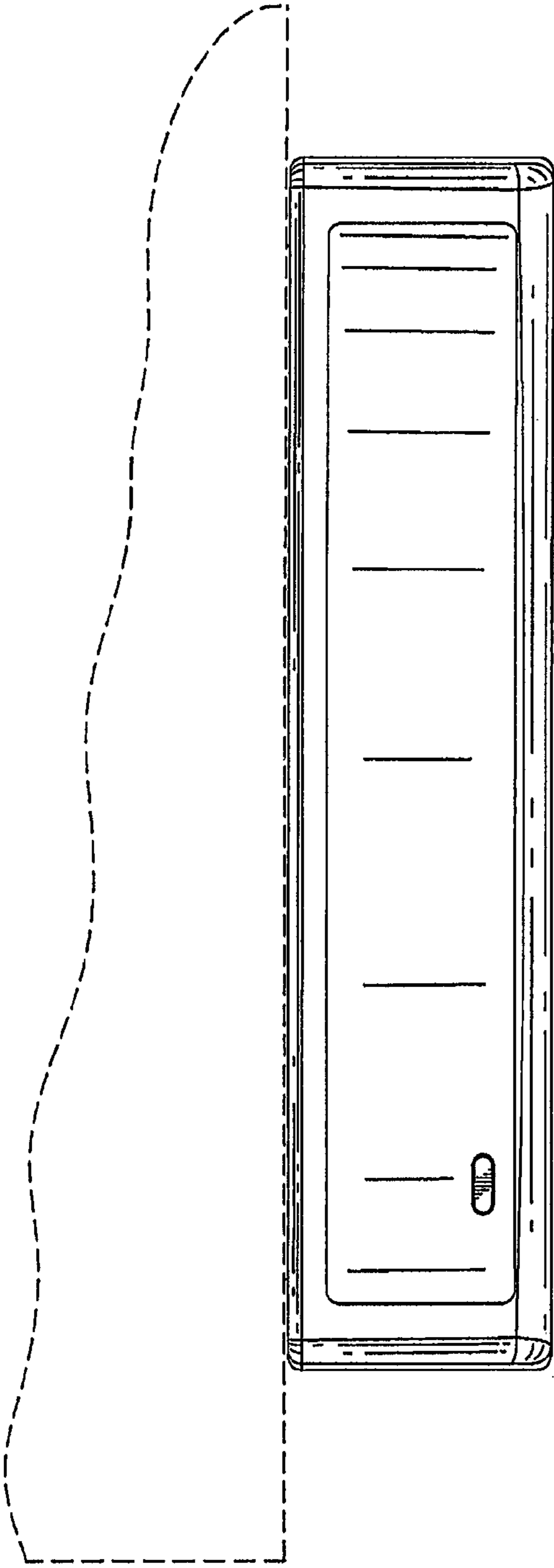


FIG. 2.

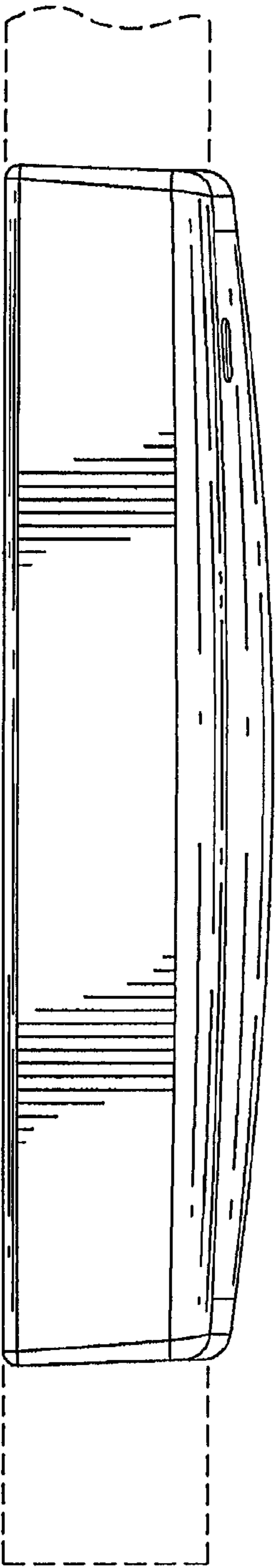


FIG. 3.

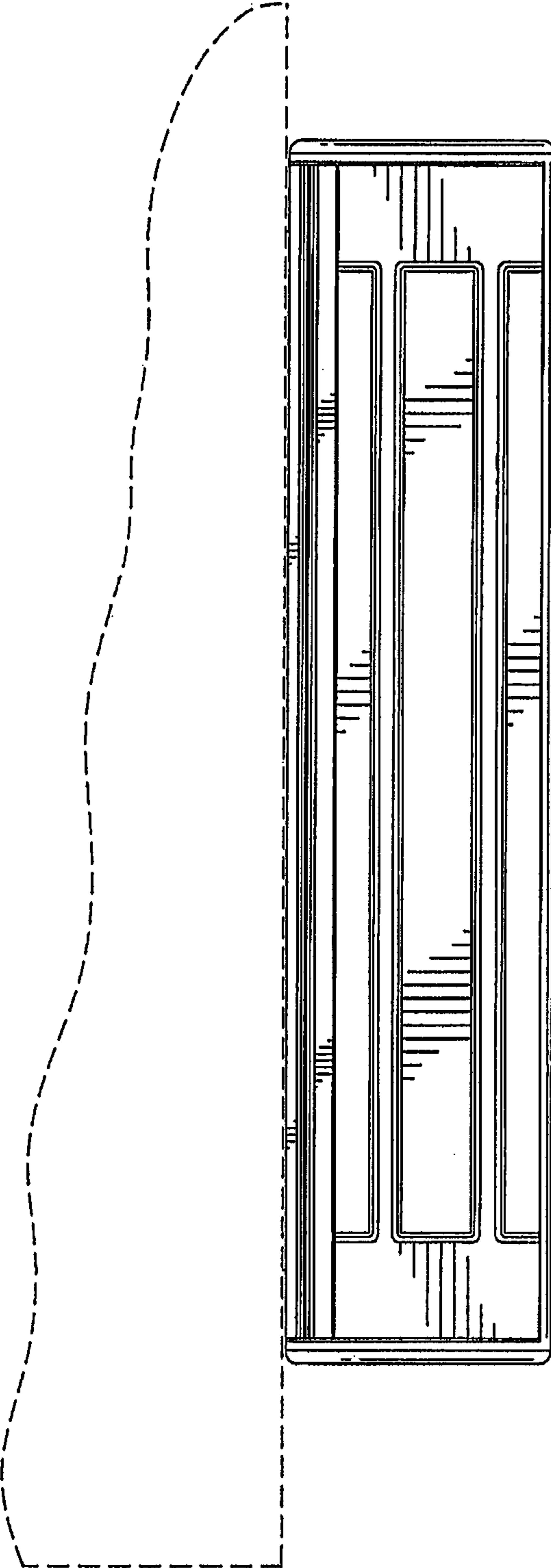


FIG. 4.

FIG. 5.

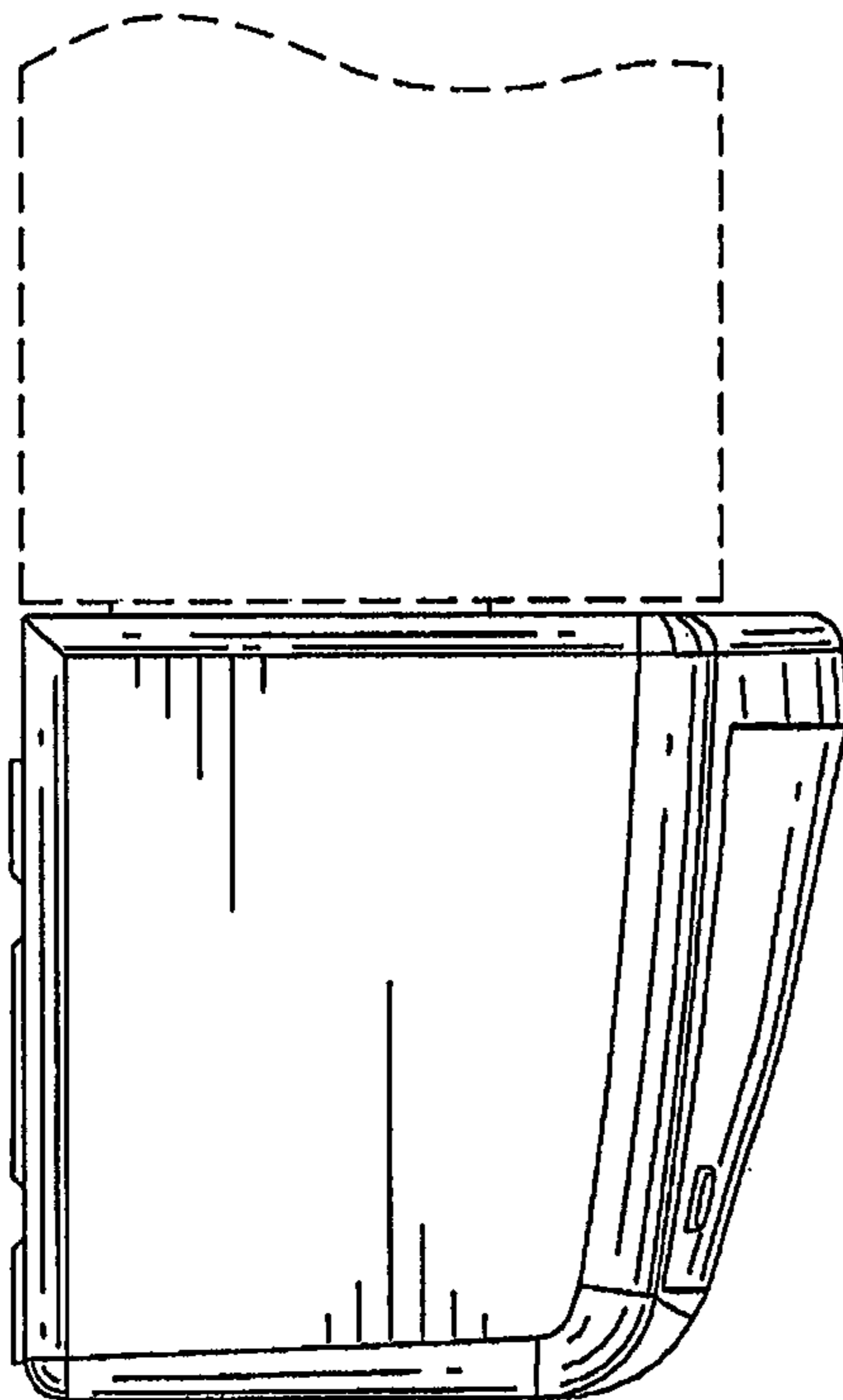
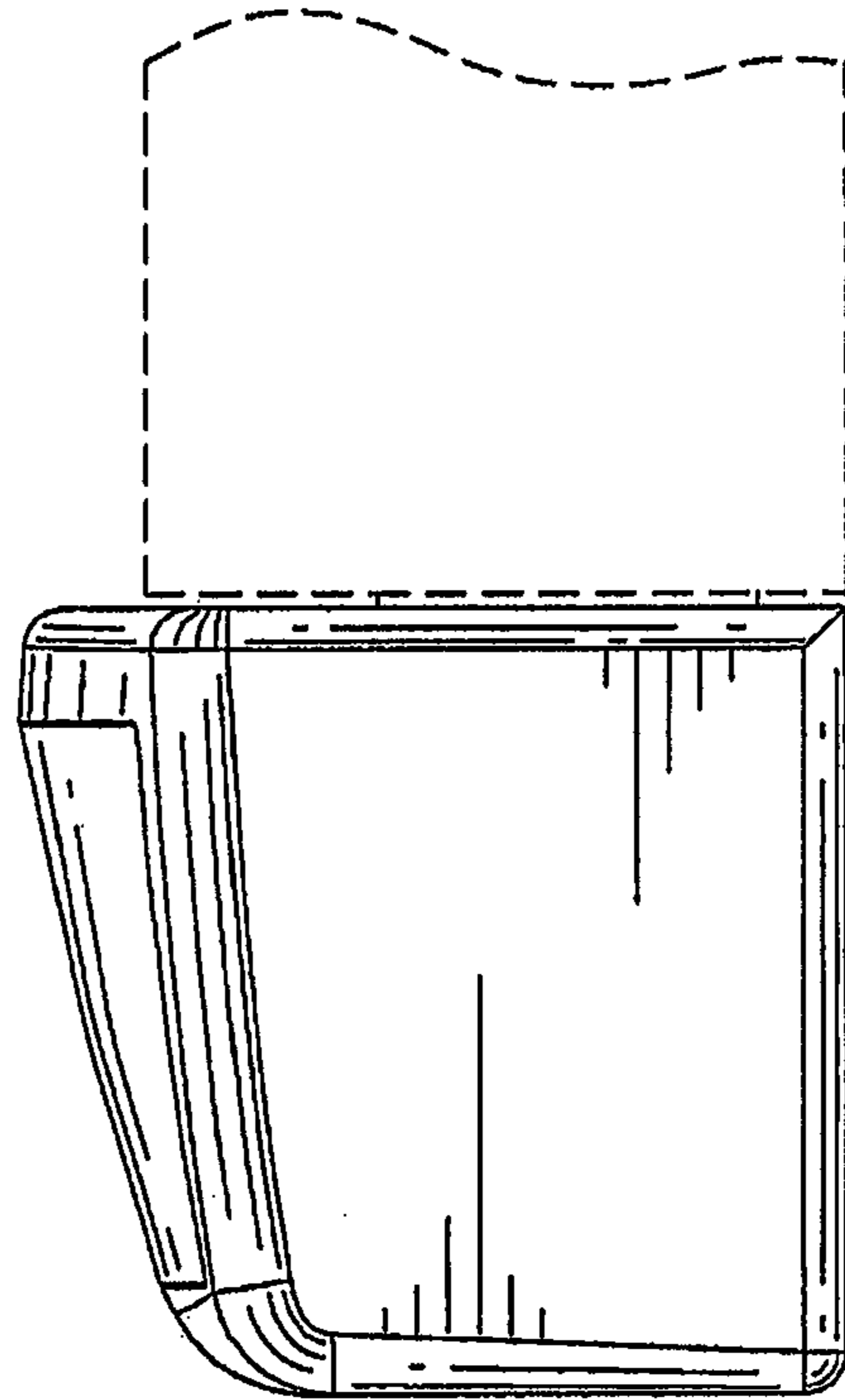


FIG. 6.