



US00D682653S

(12) **United States Design Patent**
Coope et al.

(10) **Patent No.:** **US D682,653 S**

(45) **Date of Patent:** **** May 21, 2013**

(54) **SELF CENTERING VISE**

(76) Inventors: **Gordon Coope**, Phoenix, AZ (US); **Tim McGraw**, Tolleson, AZ (US)

(**) Term: **14 Years**

(21) Appl. No.: **29/396,465**

(22) Filed: **Jun. 30, 2011**

(51) **LOC (9) Cl.** **08-05**

(52) **U.S. Cl.**
USPC **D8/74**

(58) **Field of Classification Search** D8/71-74;
74/89.33, 424.78; 269/181-182, 244-245;
D15/131, 140

See application file for complete search history.

(56) **References Cited**

U.S. PATENT DOCUMENTS

4,054,281	A *	10/1977	Martinsson	269/110
4,241,906	A *	12/1980	Cole	269/43
4,362,261	A *	12/1982	Cook, Jr.	228/2.1
4,602,772	A *	7/1986	Wight et al.	269/282
4,685,663	A *	8/1987	Jorgensen	269/244
5,149,071	A *	9/1992	Oliveira	269/43
5,150,888	A *	9/1992	Durfee	269/254 CS
6,062,553	A *	5/2000	Strehl	269/43
6,170,814	B1 *	1/2001	Swann et al.	269/329

7,182,327	B1 *	2/2007	Ferrara	269/224
8,132,802	B2 *	3/2012	Kolodge et al.	269/275
2012/0043711	A1 *	2/2012	Schmidt	269/136
2012/0169000	A1 *	7/2012	Lin et al.	269/216

* cited by examiner

Primary Examiner — Michael A Pratt

(74) *Attorney, Agent, or Firm* — Parsons & Goltry; Robert A. Parsons; Michael W. Goltry

(57) **CLAIM**

The ornamental design for a self centering vise, as shown and described.

DESCRIPTION

FIG. 1 is a perspective view of a self centering vise showing my new design;

FIG. 2 is a front elevation view of the self centering vise;

FIG. 3 is a rear elevation view of the self centering vise;

FIG. 4 is a top plan view of the self centering vise;

FIG. 5 is a bottom plan view of the self centering vise;

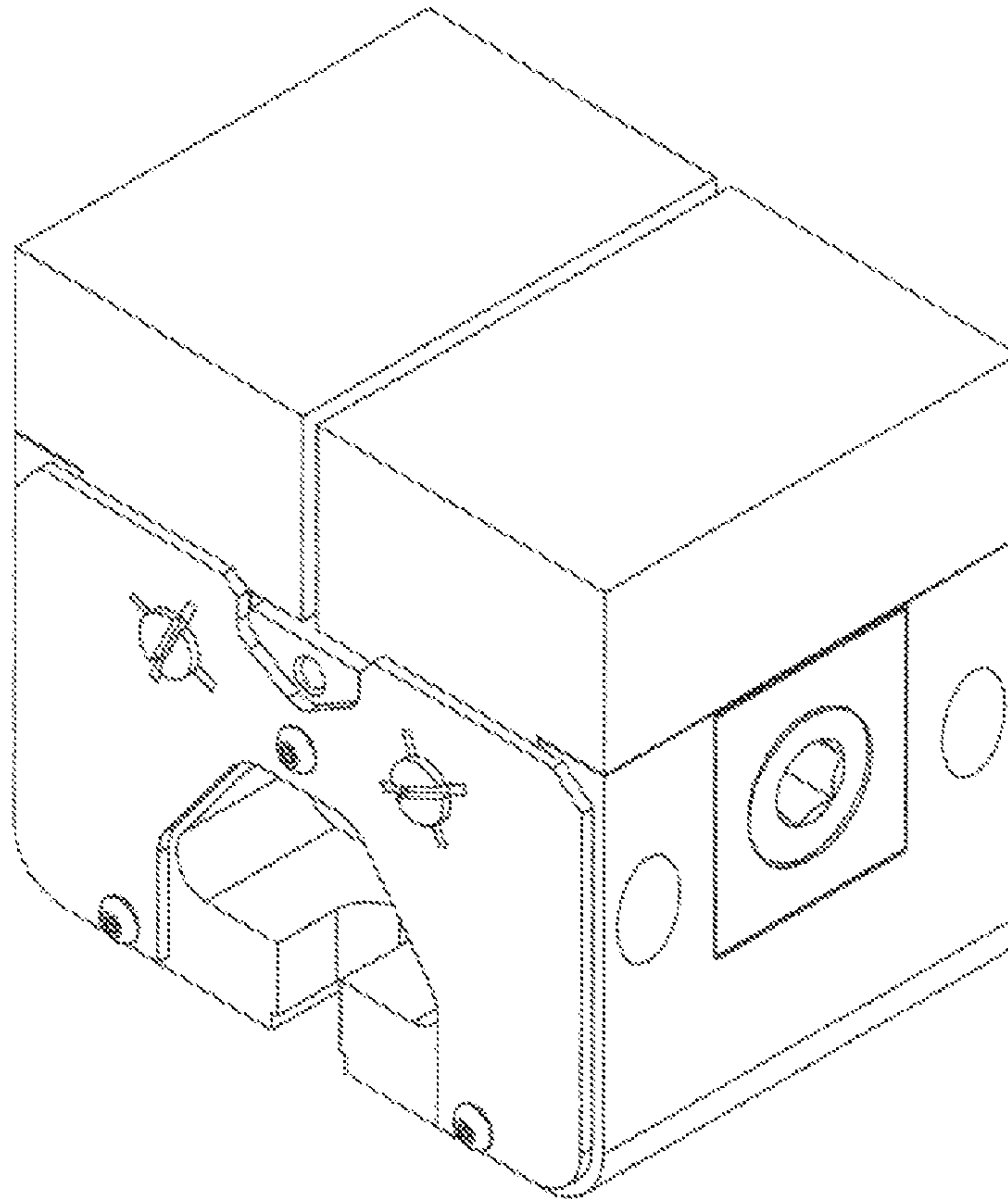
FIG. 6 is a right side elevation view of the self centering vise;

and,

FIG. 7 is a left side elevation view of the self centering vise.

The broken line showing of portions of the self centering vise in FIGS. 5 and 7 is included for the purpose of illustrating environment and forms no part of the claimed design.

1 Claim, 6 Drawing Sheets



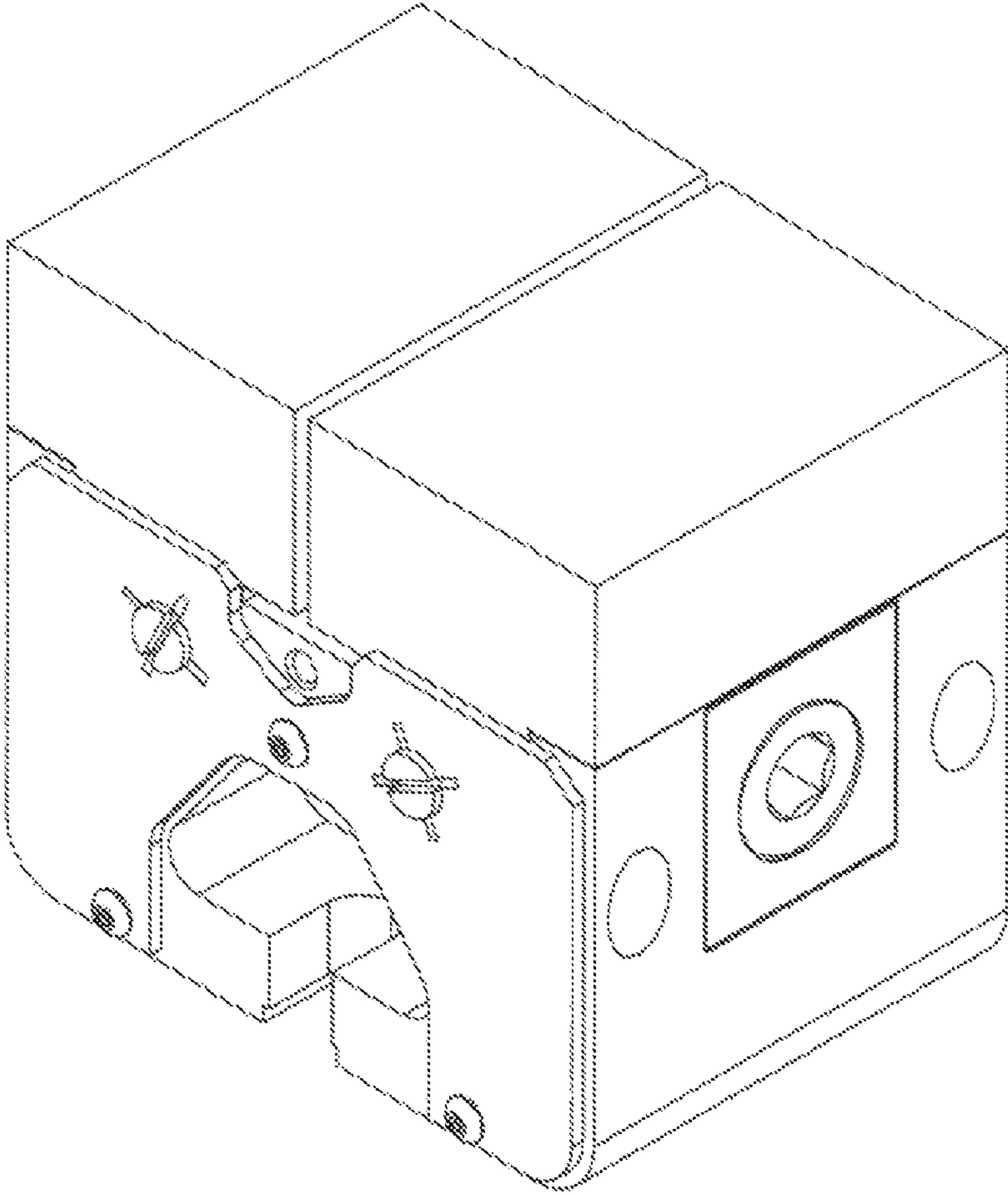


FIG. 1

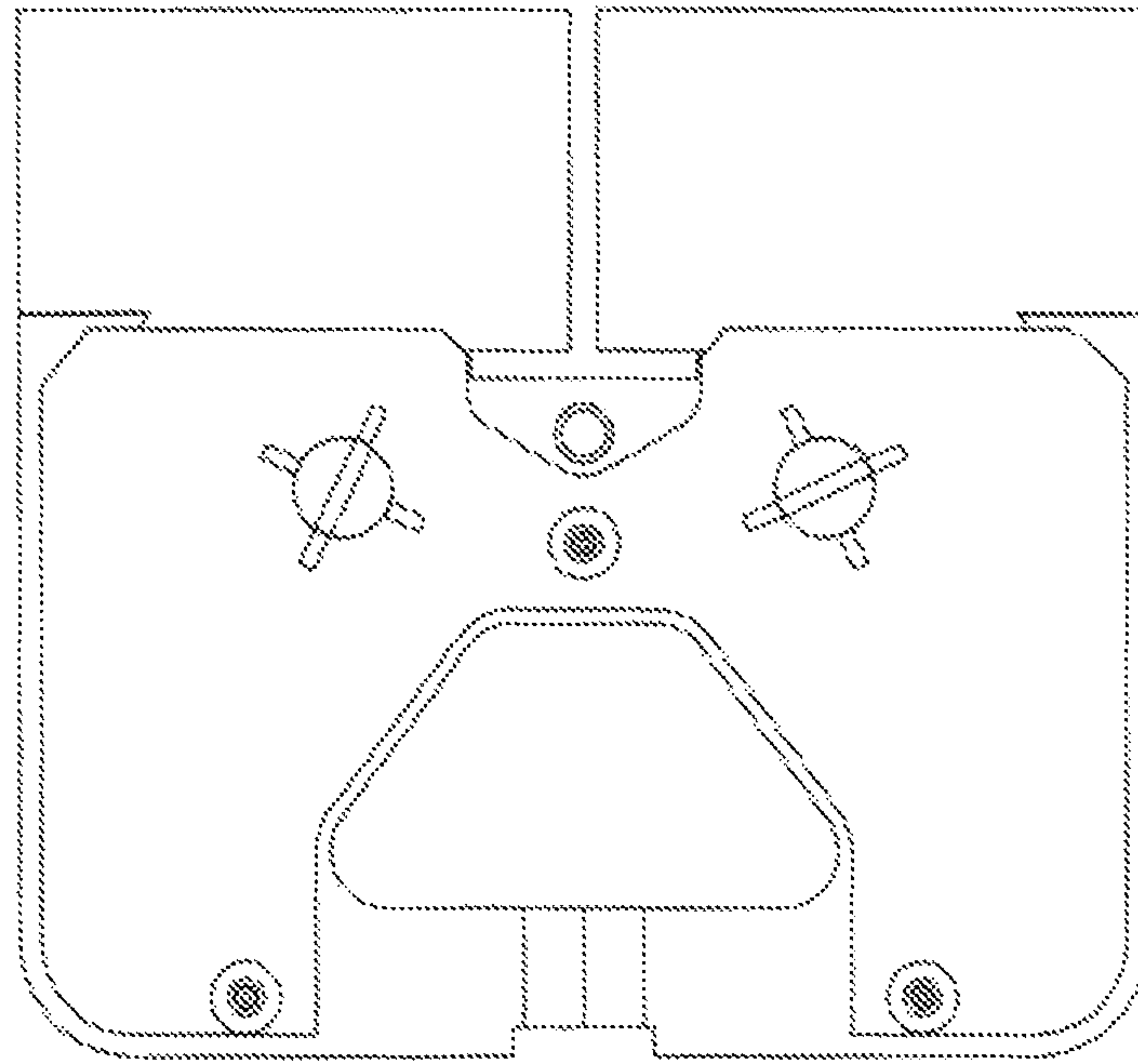


FIG. 2

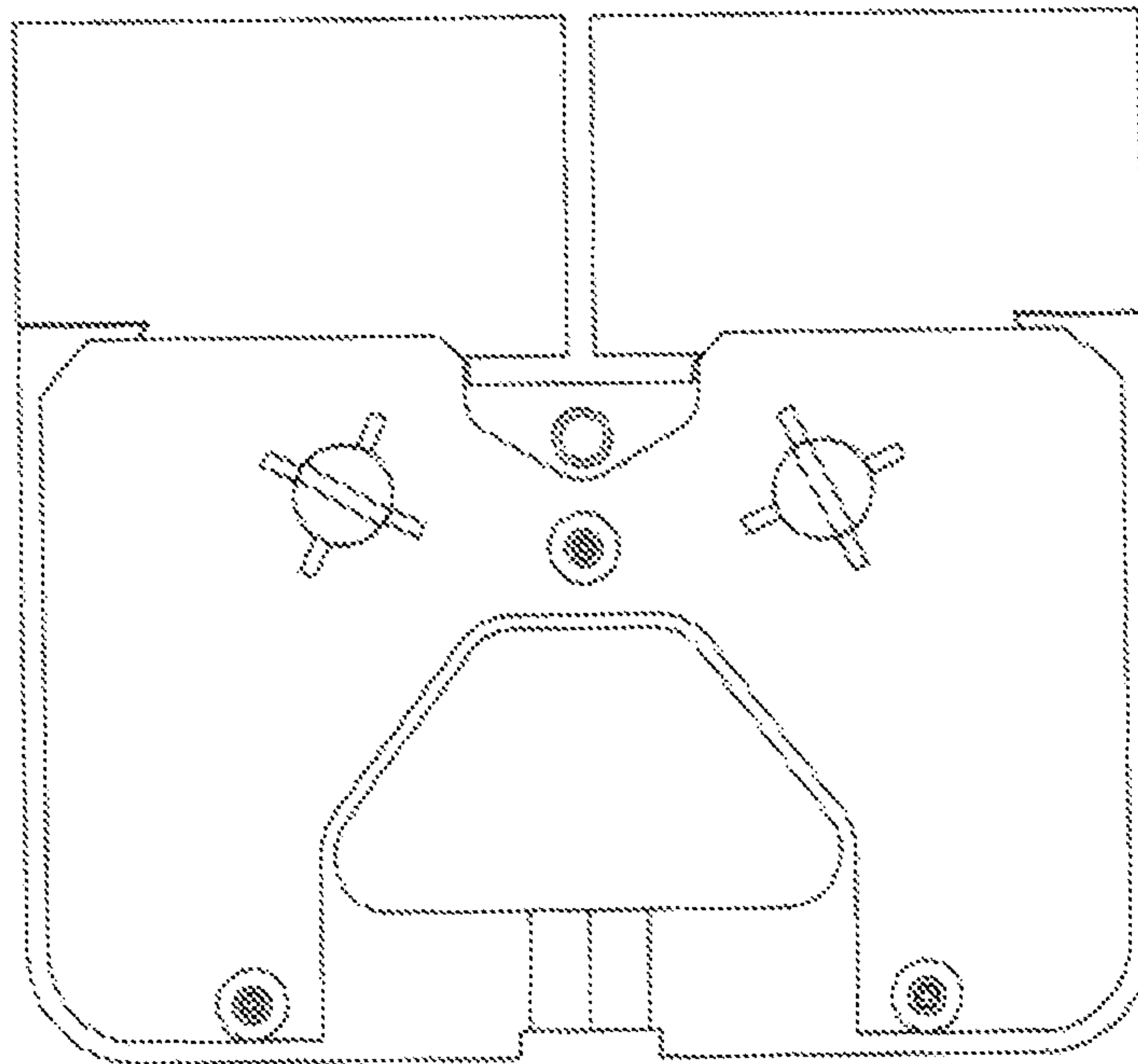


FIG. 3

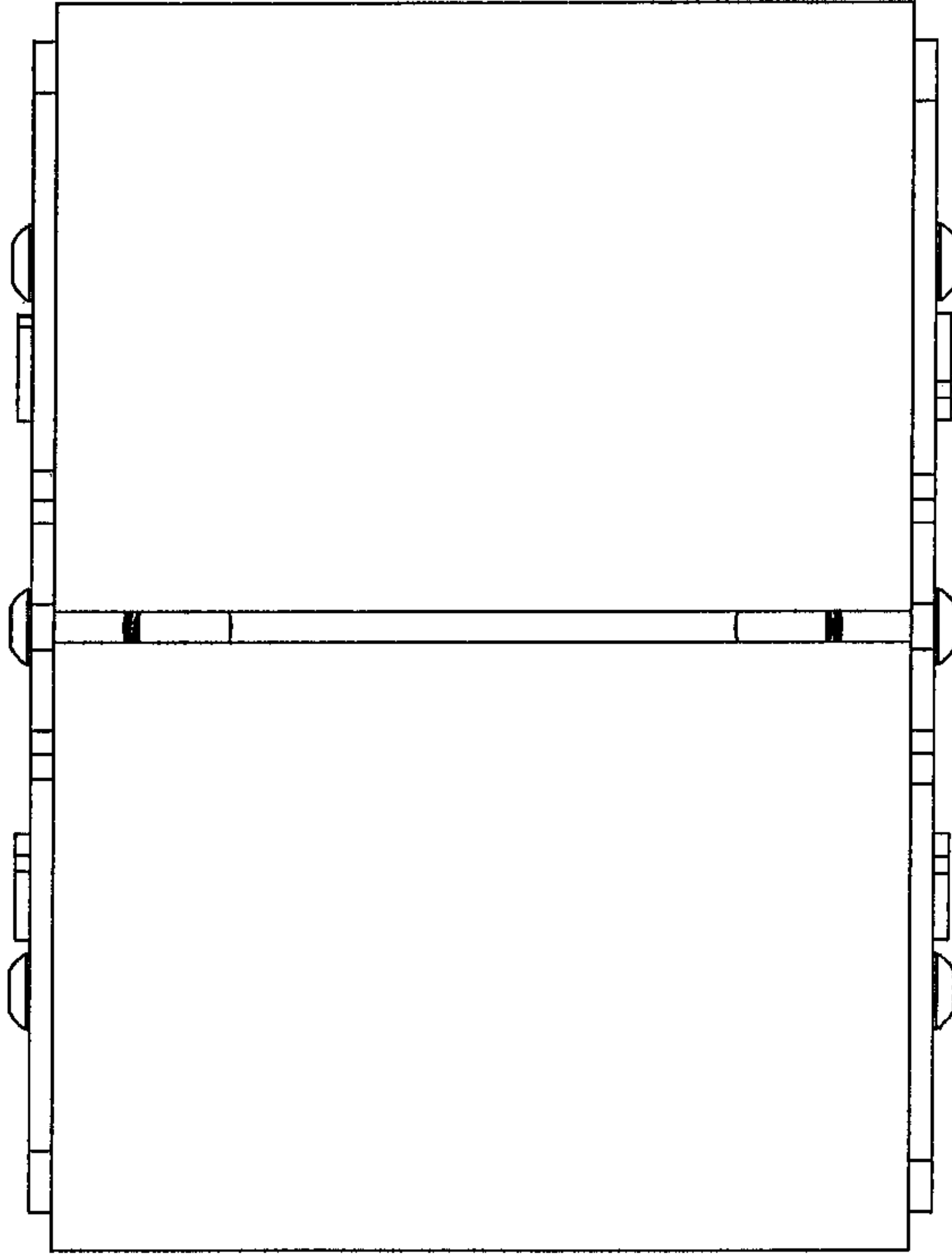


FIG. 4

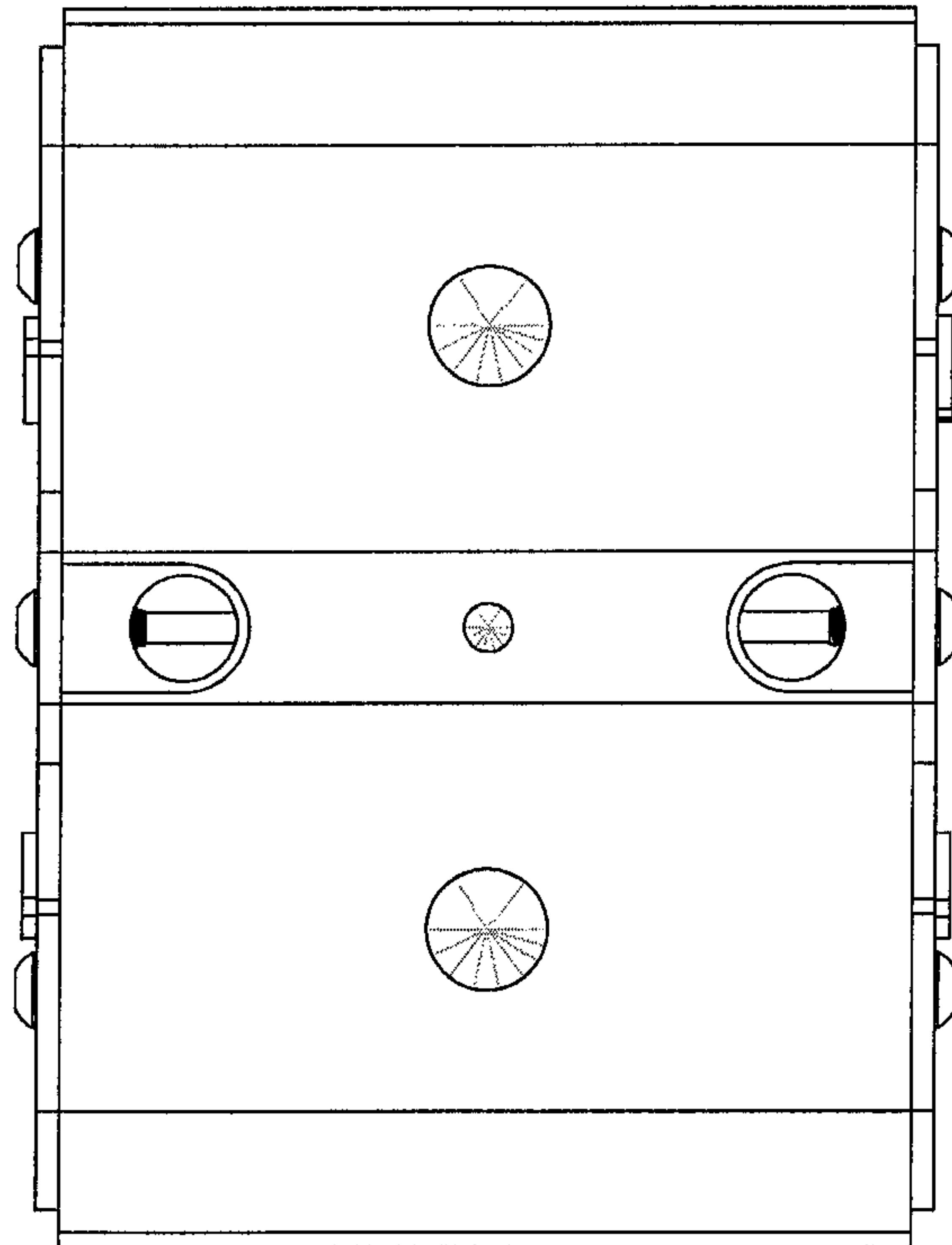


FIG. 5

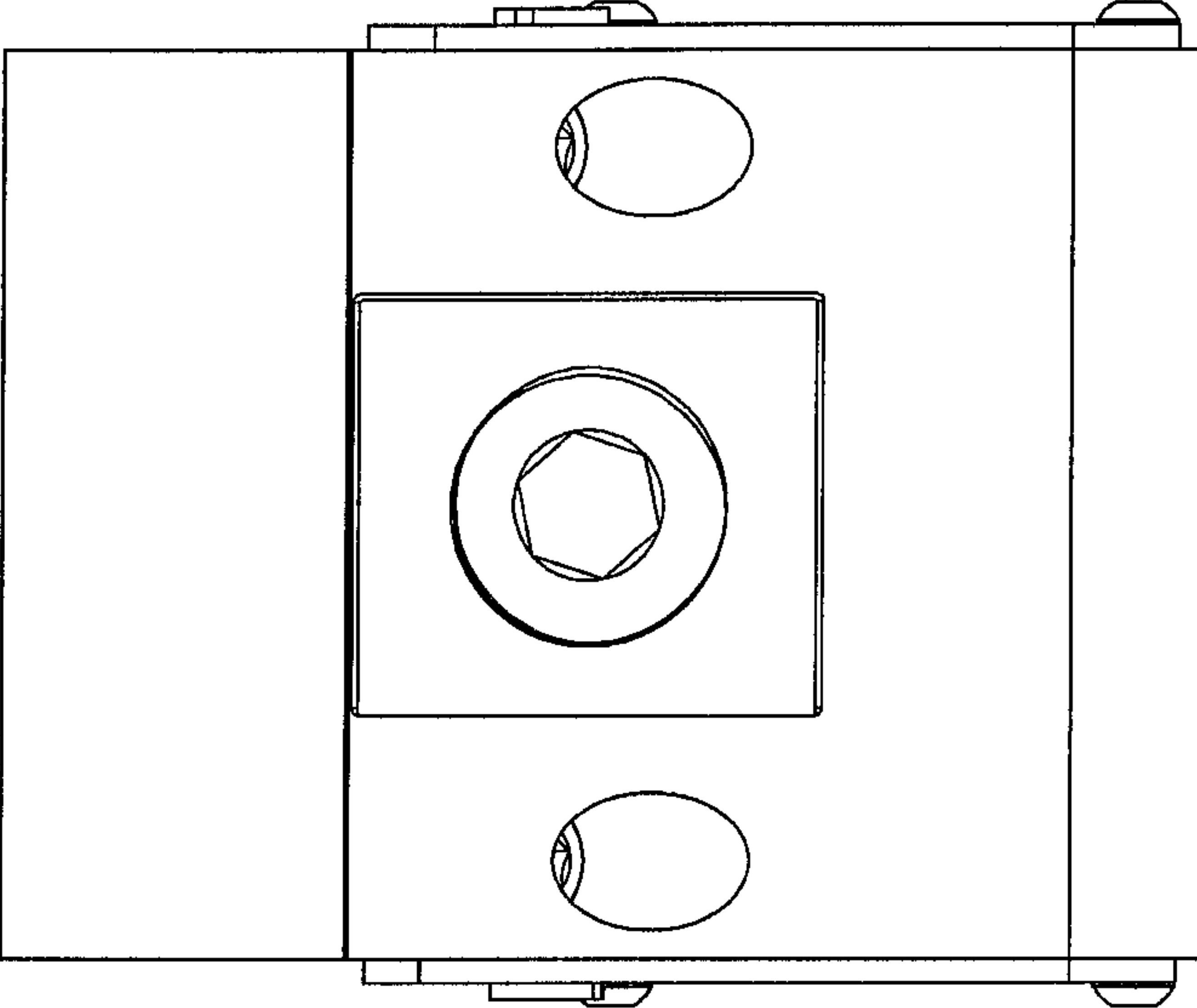


FIG. 6

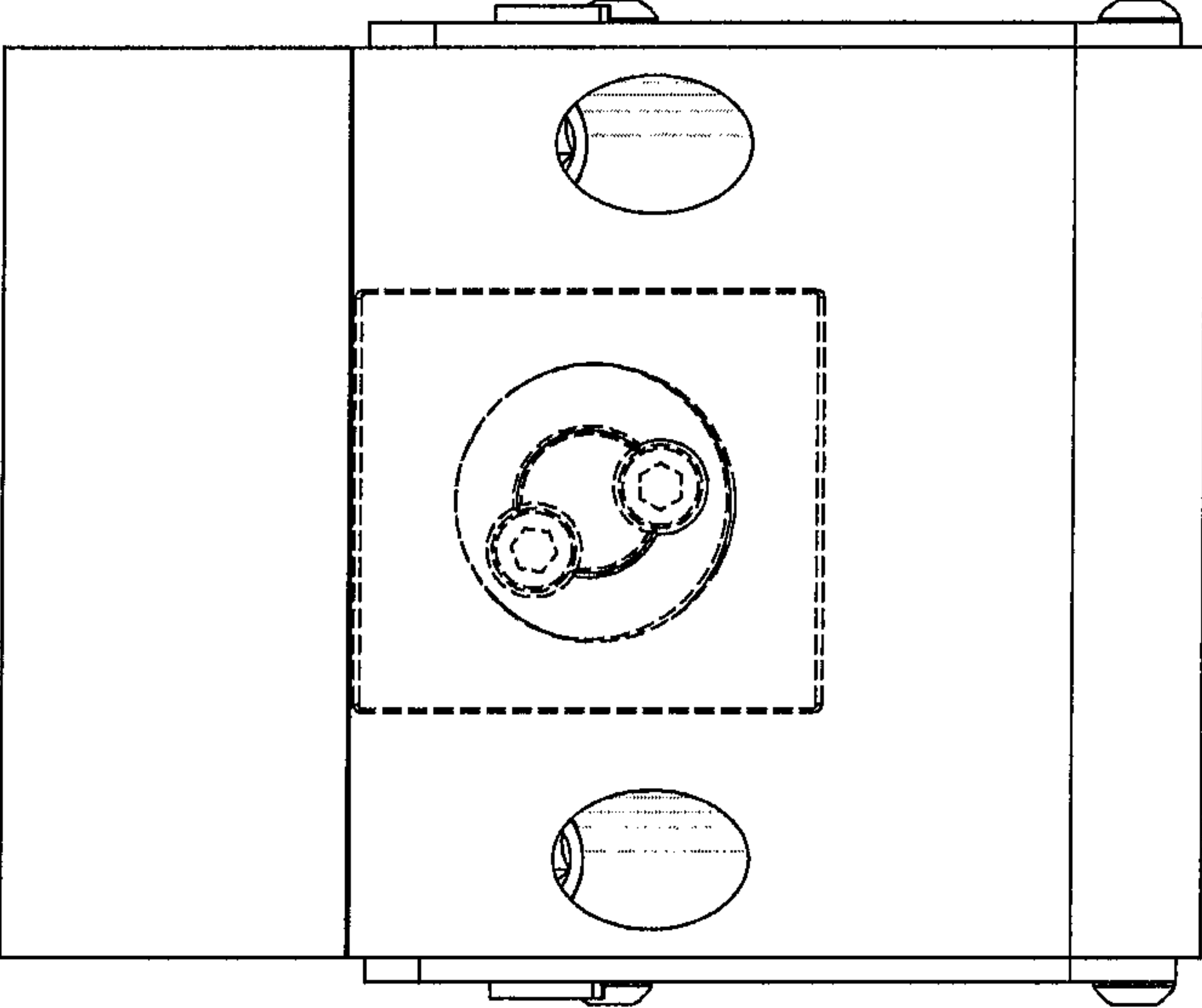


FIG. 7