



US00D682652S

(12) **United States Design Patent**
McRoberts et al.

(10) **Patent No.:** **US D682,652 S**

(45) **Date of Patent:** **** May 21, 2013**

(54) **TOOL ACCESSORY HUB**

(75) Inventors: **Jason Kyle McRoberts**, Hamilton, OH (US); **Katie Nicole Lay**, Cincinnati, OH (US); **John Dale Wilson**, Liberty Township, OH (US)

(73) Assignee: **Campbell Hausfeld/Scott Fetzer Company**, Harrison, OH (US)

(**) Term: **14 Years**

(21) Appl. No.: **29/420,839**

(22) Filed: **May 14, 2012**

(51) **LOC (9) Cl.** **08-05**

(52) **U.S. Cl.**
USPC **D8/70; D8/20**

(58) **Field of Classification Search** D8/20, D8/29, 70, 86; D10/64; D15/138; D24/146; 81/121.1, 438; 125/15; 403/24, 44, 356, 403/359.1; 474/156, 162, 199; 451/342, 451/344, 351, 353, 359, 415, 442, 559; 606/171, 606/176, 178; 279/142, 145; 83/522.11, 83/697, 699.51; 30/166.3, 169, 347
See application file for complete search history.

D343,247 S * 1/1994 Walen D24/146
5,322,131 A 6/1994 Pressley et al.
5,423,845 A * 6/1995 McDaniel 606/176
D360,946 S * 8/1995 Goris D24/146
D362,065 S * 9/1995 Goris D24/146
5,467,684 A 11/1995 Sher
5,489,285 A 2/1996 Goris

(Continued)

FOREIGN PATENT DOCUMENTS

EP 2143531 A1 1/2010
EP 1819490 B1 2/2010

(Continued)

OTHER PUBLICATIONS

Operating/Safety Instructions for the Bosch MX25E Multi-X Oscillating Power Tool, Robert Bosch Tool Corporation, Mt. Prospect, Illinois, dated Oct. 2010, 52 pages.

(Continued)

Primary Examiner — Philip S Hyder
Assistant Examiner — John T Applewhite
(74) *Attorney, Agent, or Firm* — Ulmer & Berne LLP

(57) **CLAIM**

We claim, the ornamental design for the tool accessory hub, as shown and described.

(56) **References Cited**

U.S. PATENT DOCUMENTS

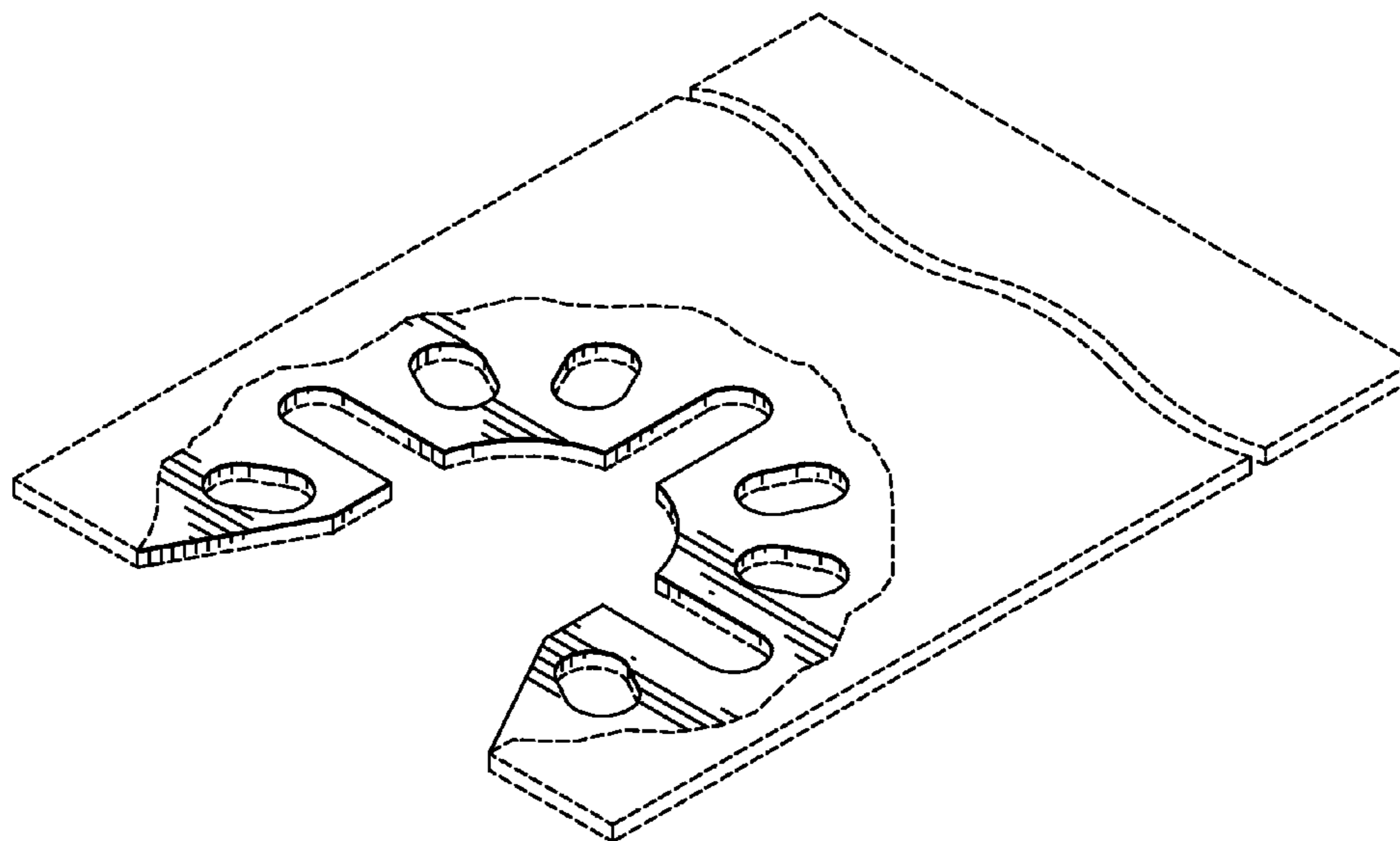
667,350 A 2/1901 Ulrich et al.
855,515 A 6/1907 Kimman
1,172,901 A 2/1916 Peck
1,483,199 A 2/1924 Schinkez
1,571,550 A 2/1926 Kimman
1,781,133 A 11/1930 Shaff
2,440,457 A 4/1948 Beckwith
2,758,569 A 8/1956 Peterson
3,832,772 A 9/1974 Sumida
4,279,171 A 7/1981 Fyilling

DESCRIPTION

FIG. 1 is a perspective view of the tool accessory hub; FIG. 2 is a top plan view of the tool accessory hub of FIG. 1; FIG. 3 is an end view of the tool accessory hub of FIG. 1; and, FIG. 4 is a side elevation view of the tool accessory hub of FIG. 1, the opposite side elevational view being identical thereto.

The broken lines shown illustrate portions of the tool accessory hub that form no part of claimed design.

1 Claim, 1 Drawing Sheet



U.S. PATENT DOCUMENTS

5,496,316 A 3/1996 Goris
D394,315 S * 5/1998 Fisher D24/146
5,769,172 A 6/1998 Sher
D404,485 S * 1/1999 Hutchins et al. D24/146
D405,177 S * 2/1999 Hutchins et al. D24/146
6,068,068 A 5/2000 Turoff
D455,490 S * 4/2002 Pascaloff D24/146
D459,805 S * 7/2002 Pascaloff D24/146
D489,823 S * 5/2004 Fisher et al. D24/146
6,796,888 B2 9/2004 Jasch
6,896,679 B2 * 5/2005 Danger et al. 606/82
7,013,987 B2 3/2006 Nock et al.
D525,707 S * 7/2006 Kullmer et al. D24/146
7,189,239 B2 * 3/2007 Fisher et al. 606/82
7,194,938 B2 3/2007 Hollar
7,344,435 B2 3/2008 Pollak et al.
7,527,628 B2 5/2009 Fletcher et al.
RE40,807 E 6/2009 Kovacs
7,677,325 B2 3/2010 Shibuya et al.
7,695,352 B2 4/2010 Schumacher
D619,152 S 7/2010 Evatt et al.
D633,769 S 3/2011 Evatt et al.
7,901,424 B2 3/2011 Fletcher et al.
7,997,586 B2 8/2011 Ziegler et al.
7,998,158 B2 8/2011 Fletcher et al.
D646,542 S 10/2011 Wackwitz
D651,062 S * 12/2011 Wackwitz D8/70
D651,499 S * 1/2012 Tong D8/70
D651,874 S * 1/2012 Davidian et al. D8/20
D651,875 S * 1/2012 Davidian et al. D8/20
D651,876 S * 1/2012 Davidian et al. D8/20
D651,877 S * 1/2012 Davidian et al. D8/20
D651,878 S * 1/2012 Davidian et al. D8/20
D652,274 S * 1/2012 Davidian et al. D8/20
D653,523 S 2/2012 Wackwitz et al.
8,113,520 B2 2/2012 Zaiser et al.
D669,754 S * 10/2012 Wackwitz D8/70
2002/0074539 A1 6/2002 Yamamoto
2003/0014067 A1 * 1/2003 Kullmer et al. 606/176
2004/0138668 A1 * 7/2004 Fisher et al. 606/82
2010/0056029 A1 * 3/2010 Grunikiewicz 451/442
2011/0000690 A1 1/2011 Kildevaeld
2011/0011605 A1 1/2011 Kildevaeld
2011/0227300 A1 9/2011 Zhang et al.
2011/0260414 A1 10/2011 Ota et al.
2011/0266758 A1 11/2011 Sergyeyenko et al.

2011/0277611 A1 * 11/2011 Chen et al. 83/699.51
2011/0309589 A1 12/2011 Maras
2011/0316241 A1 12/2011 Zhang et al.
2011/0316242 A1 12/2011 Zhang et al.
2012/0056388 A1 3/2012 Zaiser et al.
2012/0066919 A1 3/2012 Holba et al.

FOREIGN PATENT DOCUMENTS

GB 2481504 A 12/2011
WO 2011/000322 A1 1/2011
WO 2012/025330 A2 3/2012

OTHER PUBLICATIONS

Operating/Safety Instructions for the Dremel Model 6300 Multi-Max Oscillating Power Tool, Robert Bosch Tool Corporation, Mt. Prospect, Illinois, dated Aug. 6, 2008, 52 pages.
Operating/Safety Instructions for the Dremel Model MM40 Multi-Max Oscillating Power Tool, Robert Bosch Tool Corporation, Mt. Prospect, Illinois, dated Feb. 27, 2012, 52 pages.
Instruction Manual for the Fein MultiMaster FMM250Q, C & E. Fein GmbH, Germany, dated Jun. 29, 2009, 46 pages.
Operator's Manual for the Milwaukee M12 Cordless Multi-Tool, Milwaukee Electric Tool Corporation, Brookfield, Wisconsin, dated Sep. 2010, 11 pages.
Instruction Manual for the Porter Cable PC250MT 2.5 Amp Oscillating Multi-Tool, Porter Cable, North Jackson, Tennessee, dated Jan. 14, 2011, 36 pages.
Instructions for the Ridgid JobMax Multi-Tool Head Model R8223404, One World Technologies, Inc., Pickens, South Carolina, dated Jan. 5, 2012, 2 pages.
"Rockwell RC5100K Shop Series Sonic Tool Oscillating Tool", <http://www.amazon.com/Rockwell-RC5100K-Series-Sonic-Oscillating/dp/B004C3BUAA>; retrieved Jun. 29, 2012; includes review of product dated as early as May 19, 2011, 6 pages.
"Holbren Precision Cutting Tools", <http://www.holbren.com/home.php?cat=941>, Holbren, retrieved Jun. 29, 2012; copyright 2002-2012, 2 pages.
"Imperial Blades Authorized Dealer", <http://imperialblades.net/index.php/catalogsearch/result/index/?cat=1443&q=universal&gclid=CLH4h7SP9LACFQgEnQodJg6QVA>, Beaver Tools, 2012, retrieved Jun. 29, 2012, 3 pages.
Advertisement for Rockwell Universal Fit System for Sonicrafter tool, Popular Mechanics, vol. 189, No. 10, Oct. 2012, p. 93, 1 page.

* cited by examiner

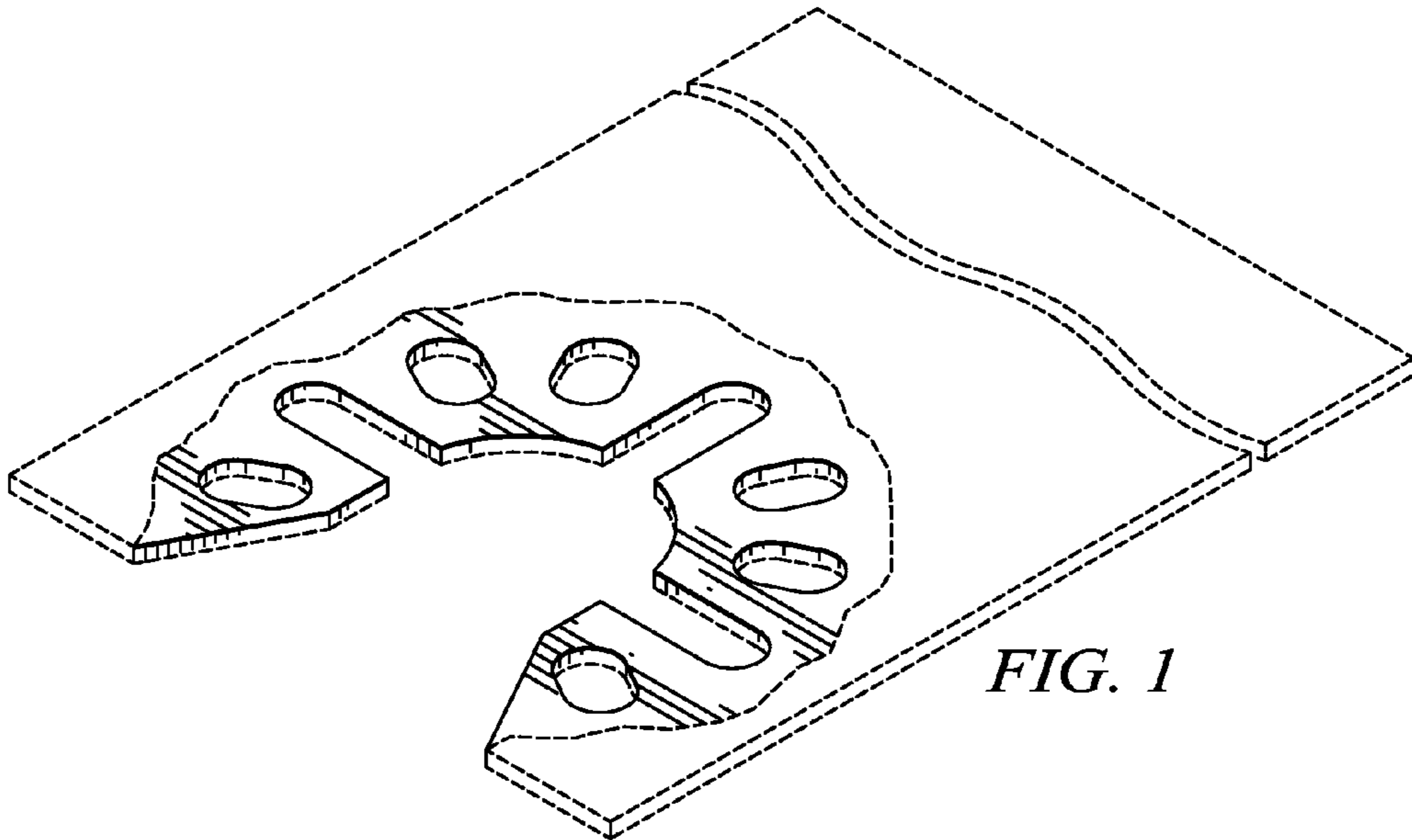


FIG. 1

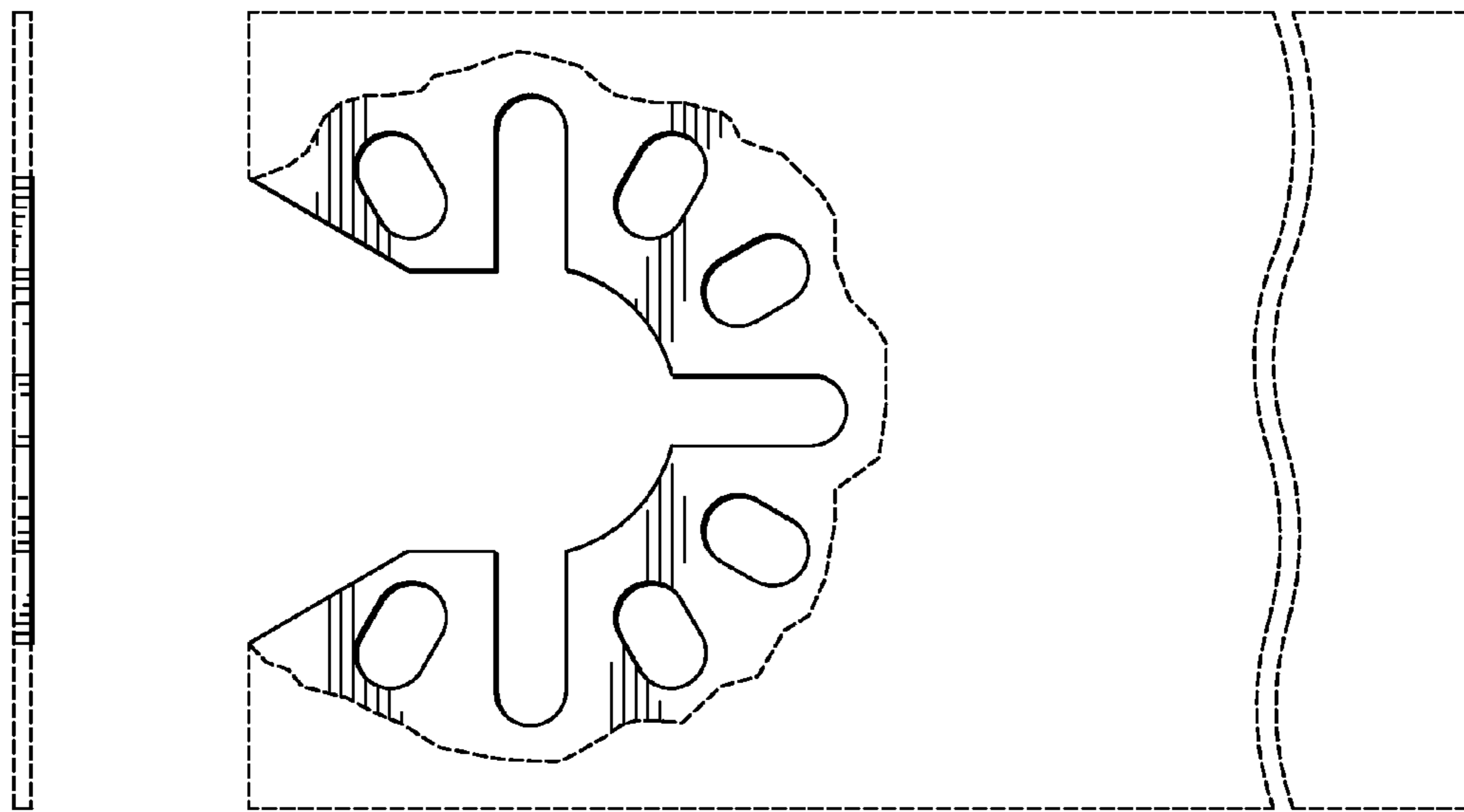


FIG. 2



FIG. 3

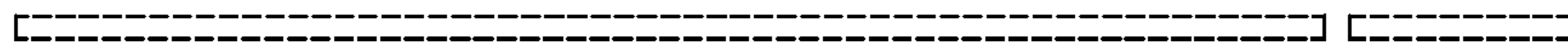


FIG. 4