



US00D682649S

(12) **United States Design Patent**
Aglassinger

(10) **Patent No.:** **US D682,649 S**

(45) **Date of Patent:** **** May 21, 2013**

(54) **PORTION OF AN OSCILLATOR**

(75) Inventor: **Hans-Peter Aglassinger**, Esslingen (DE)

(73) Assignee: **Robert Bosch GmbH**, Stuttgart (DE)

(**) Term: **14 Years**

(21) Appl. No.: **29/428,843**

(22) Filed: **Aug. 3, 2012**

(30) **Foreign Application Priority Data**

Feb. 6, 2012 (EM) 001987157

(51) **LOC (9) Cl.** **08-01**

(52) **U.S. Cl.**
USPC **D8/61**

(58) **Field of Classification Search** D8/61,
D8/62, 67, 69; 81/57, 57.11, 57.14, 57.26,
81/429, 464, 469; 173/2, 170, 176, 181
See application file for complete search history.

(56) **References Cited**

U.S. PATENT DOCUMENTS

D559,639 S * 1/2008 Henssler et al. D8/61
D567,046 S * 4/2008 Henssler et al. D8/61
D598,260 S * 8/2009 Jerome et al. D8/61
D602,756 S * 10/2009 Henssler et al. D8/61

D647,771 S * 11/2011 Schoch et al. D8/61
D650,254 S * 12/2011 Schoch D8/61
D662,800 S * 7/2012 Blythe et al. D8/61
D663,181 S * 7/2012 Zhou et al. D8/61

* cited by examiner

Primary Examiner — Austin Murphy

(74) *Attorney, Agent, or Firm* — Maginot, Moore & Beck

(57) **CLAIM**

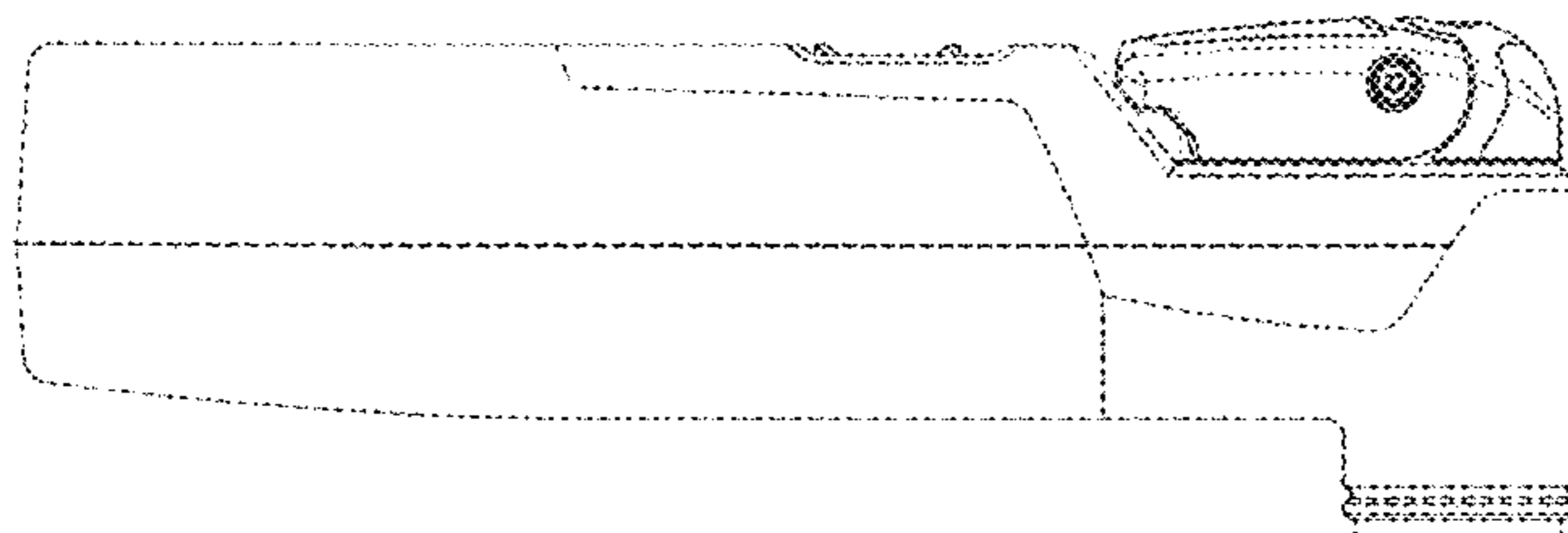
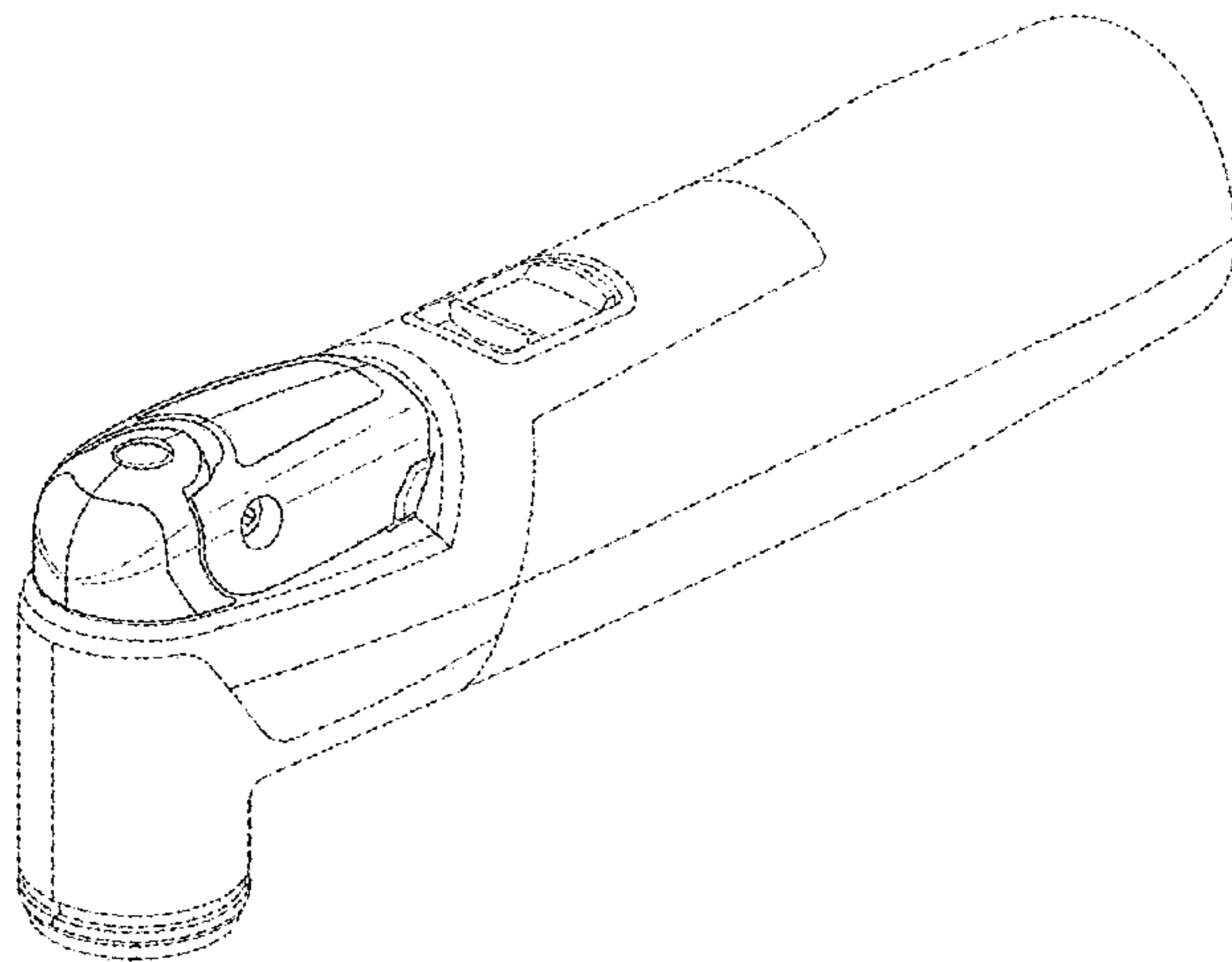
The ornamental design for a portion of an oscillator, as shown and described.

DESCRIPTION

FIG. 1 is a perspective view of a portion of an oscillator showing my new design;
FIG. 2 is right side elevational view showing the portion of the oscillator of FIG. 1;
FIG. 3 is left side elevational view showing the portion of the oscillator of FIG. 1;
FIG. 4 is top elevational view showing the portion of the oscillator of FIG. 1; and,
FIG. 5 is front elevational view showing the portion of the oscillator of FIG. 1.

The broken line showing of other portions of the oscillator in the drawings is included for illustrative purposes only and forms no part of the claimed design.

1 Claim, 5 Drawing Sheets



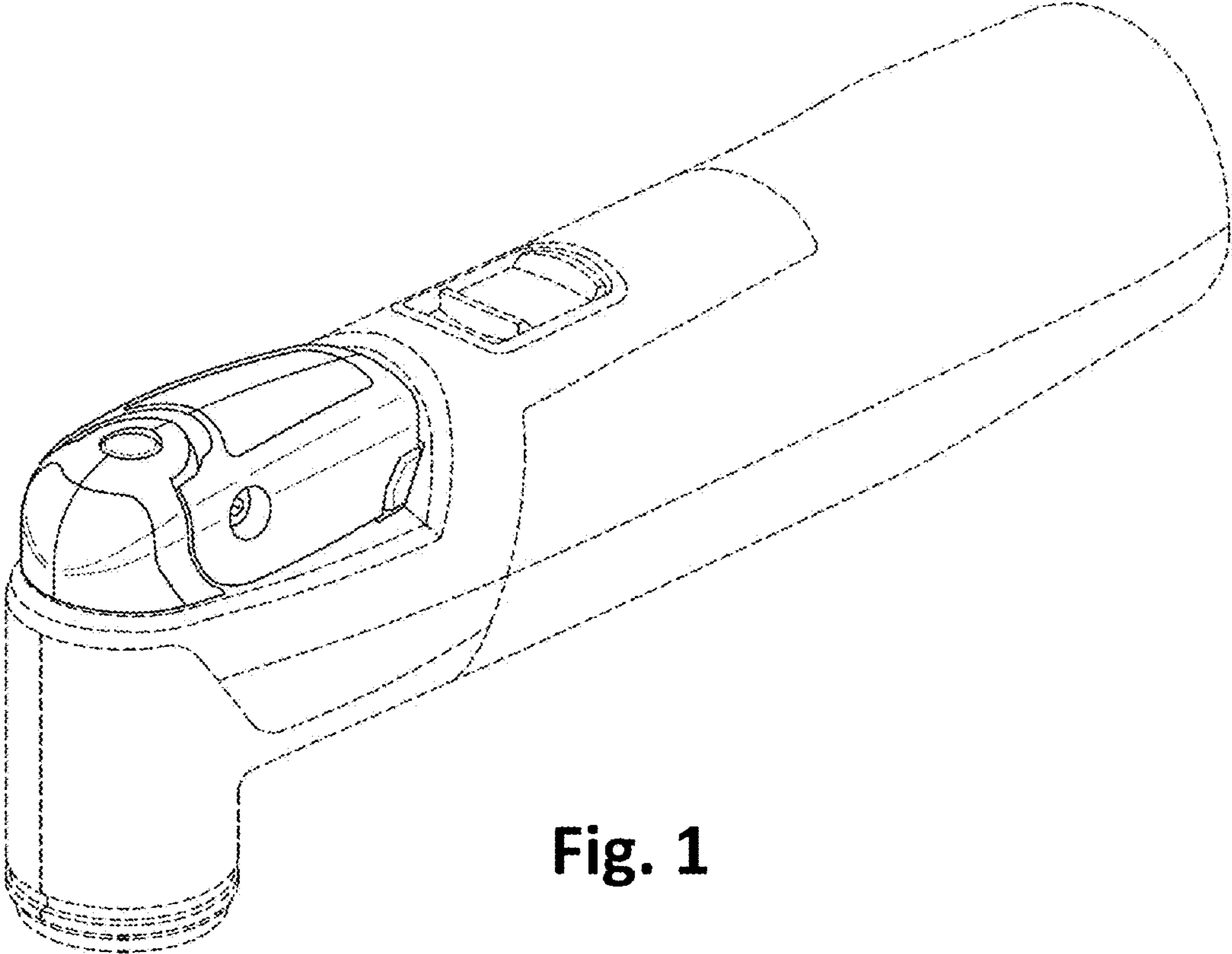


Fig. 1

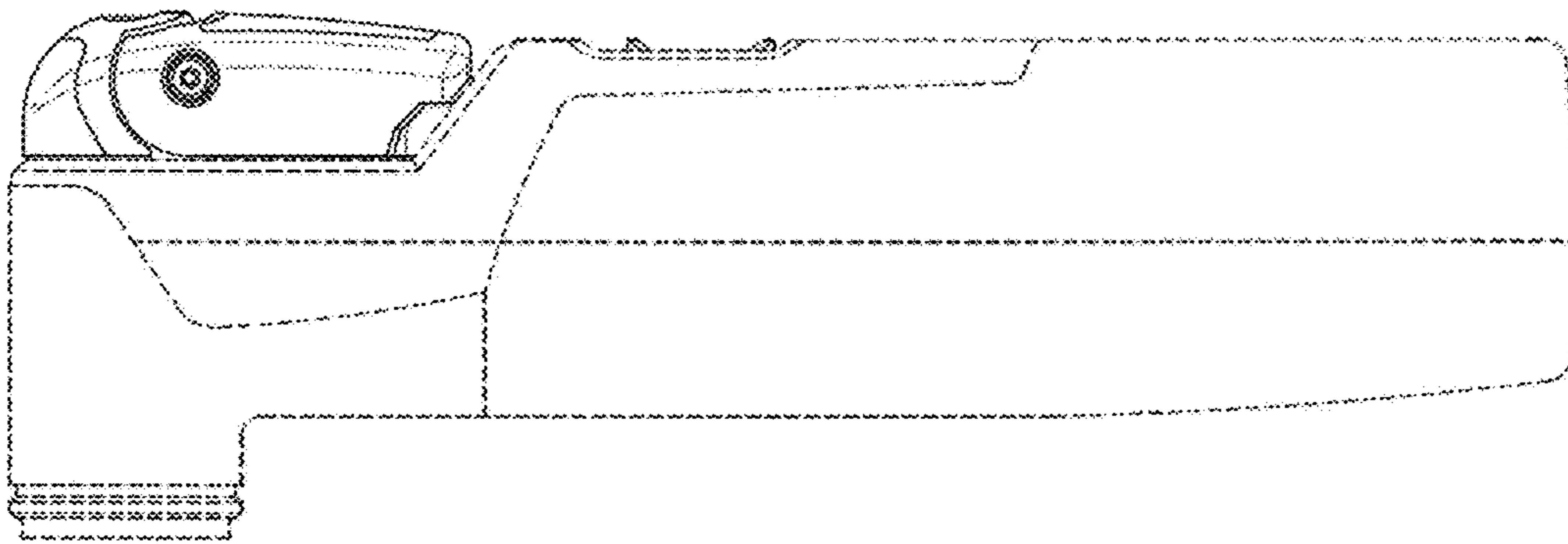


Fig. 2

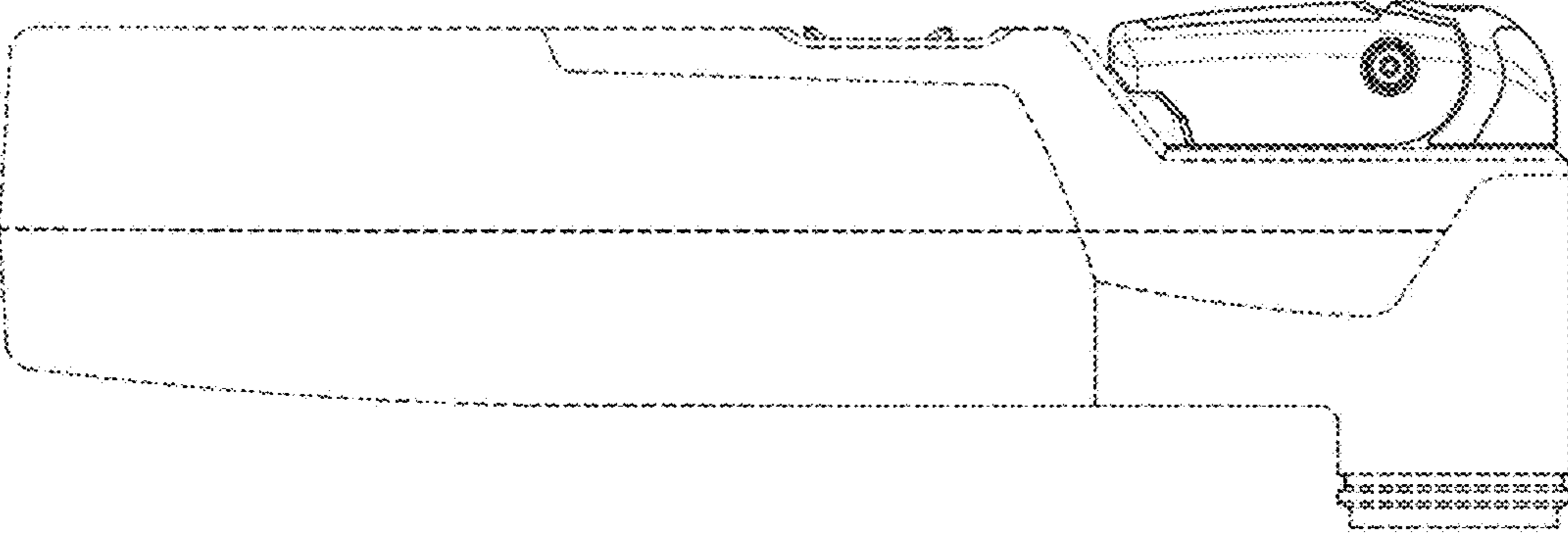


Fig. 3

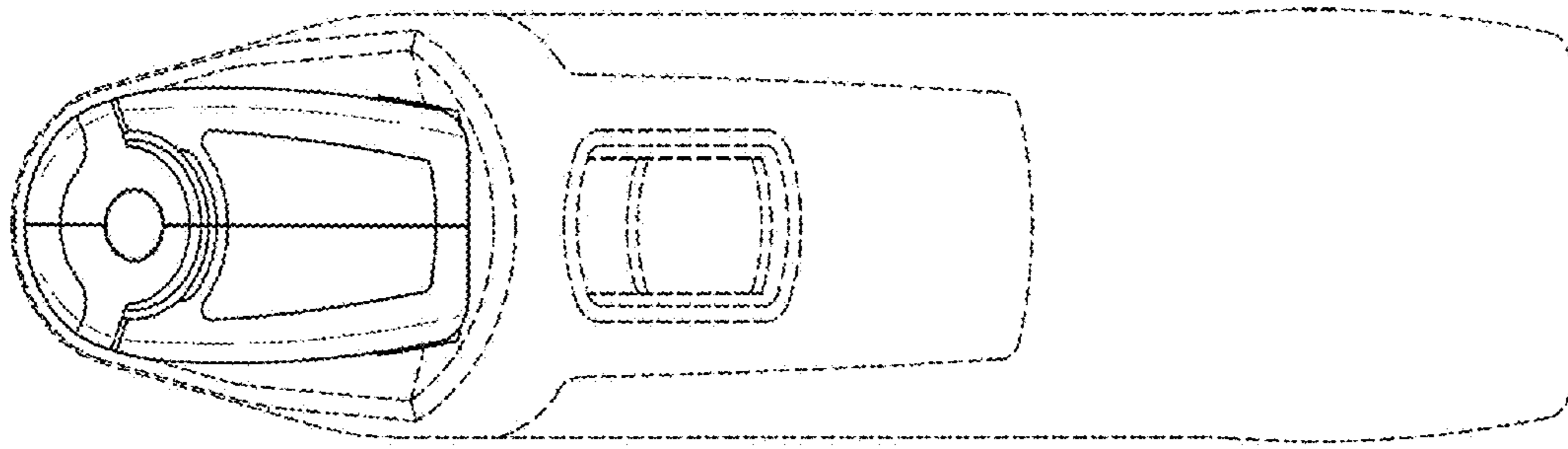


Fig. 4

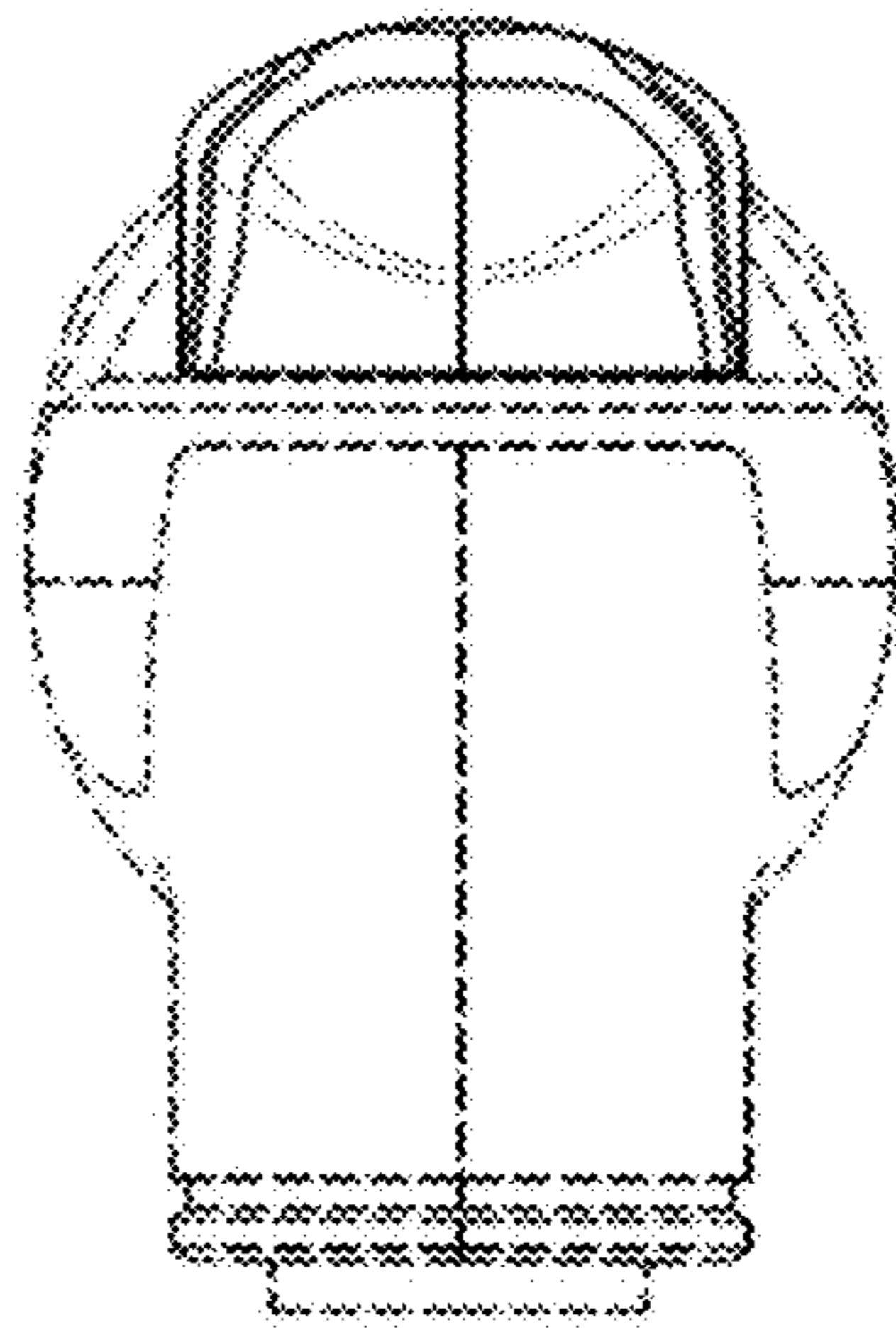


Fig. 5