



US00D682648S

(12) **United States Design Patent**
Yaschur

(10) **Patent No.:** **US D682,648 S**

(45) **Date of Patent:** **** May 21, 2013**

(54) **HAND-HELD POWER TOOL**

(75) **Inventor:** **Jefferey Clifford Yaschur**, Doylestown, PA (US)

(73) **Assignee:** **Ingersoll-Rand Company**, Davidson, NC (US)

(**) **Term:** **14 Years**

(21) **Appl. No.:** **29/423,002**

(22) **Filed:** **May 25, 2012**

(51) **LOC (9) Cl.** **08-01**

(52) **U.S. Cl.**
USPC **D8/61**

(58) **Field of Classification Search** D8/61,
D8/62, 67, 69; 81/57, 57.11, 57.14, 57.26,
81/429, 464, 469; 173/2, 170, 176, 181
See application file for complete search history.

(56) **References Cited**

U.S. PATENT DOCUMENTS

D320,540	S	*	10/1991	Staubitz et al.	D8/61
D347,372	S	*	5/1994	Ghode et al.	D8/61
D379,909	S	*	6/1997	Hawkins	D8/14
D408,243	S	*	4/1999	Izumisawa	D8/61
D432,379	S	*	10/2000	Sun	D8/70
D440,848	S	*	4/2001	Izumisawa	D8/61
D446,433	S	*	8/2001	Bass et al.	D8/62
D456,683	S	*	5/2002	Chen	D8/61
D468,605	S	*	1/2003	Morgan	D8/61
D468,607	S	*	1/2003	Price et al.	D8/61
6,644,419	B1	*	11/2003	Chen	173/169
D484,379	S	*	12/2003	Chen	D8/61
D484,380	S	*	12/2003	Chen	D8/61
D492,561	S	*	7/2004	Chen	D8/61
D492,562	S	*	7/2004	Chen	D8/61
D498,398	S	*	11/2004	Chen	D8/61
D525,498	S	*	7/2006	Chen	D8/61

D525,500	S	*	7/2006	Chen	D8/61
7,207,394	B2		4/2007	Young et al.	
D565,915	S	*	4/2008	Su	D8/61
D565,916	S	*	4/2008	Chen	D8/61
D568,131	S	*	5/2008	Huguet et al.	D8/61
D569,205	S	*	5/2008	Lai	D8/61
D583,209	S	*	12/2008	Shyeh	D8/61
D590,679	S	*	4/2009	Enriquez et al.	D8/61
8,074,736	B2	*	12/2011	Sun et al.	173/219
2003/0047333	A1	*	3/2003	Izumisawa	173/169

OTHER PUBLICATIONS

Industrial Surface Preparation, Product Listing and Description, Ingersoll Rand Industrial Technologies, © 2010 Ingersoll-Rand Company Limited, 63 pages.

* cited by examiner

Primary Examiner — Austin Murphy

(74) *Attorney, Agent, or Firm* — Myers Bigel Sibley & Sajovec, P.A.

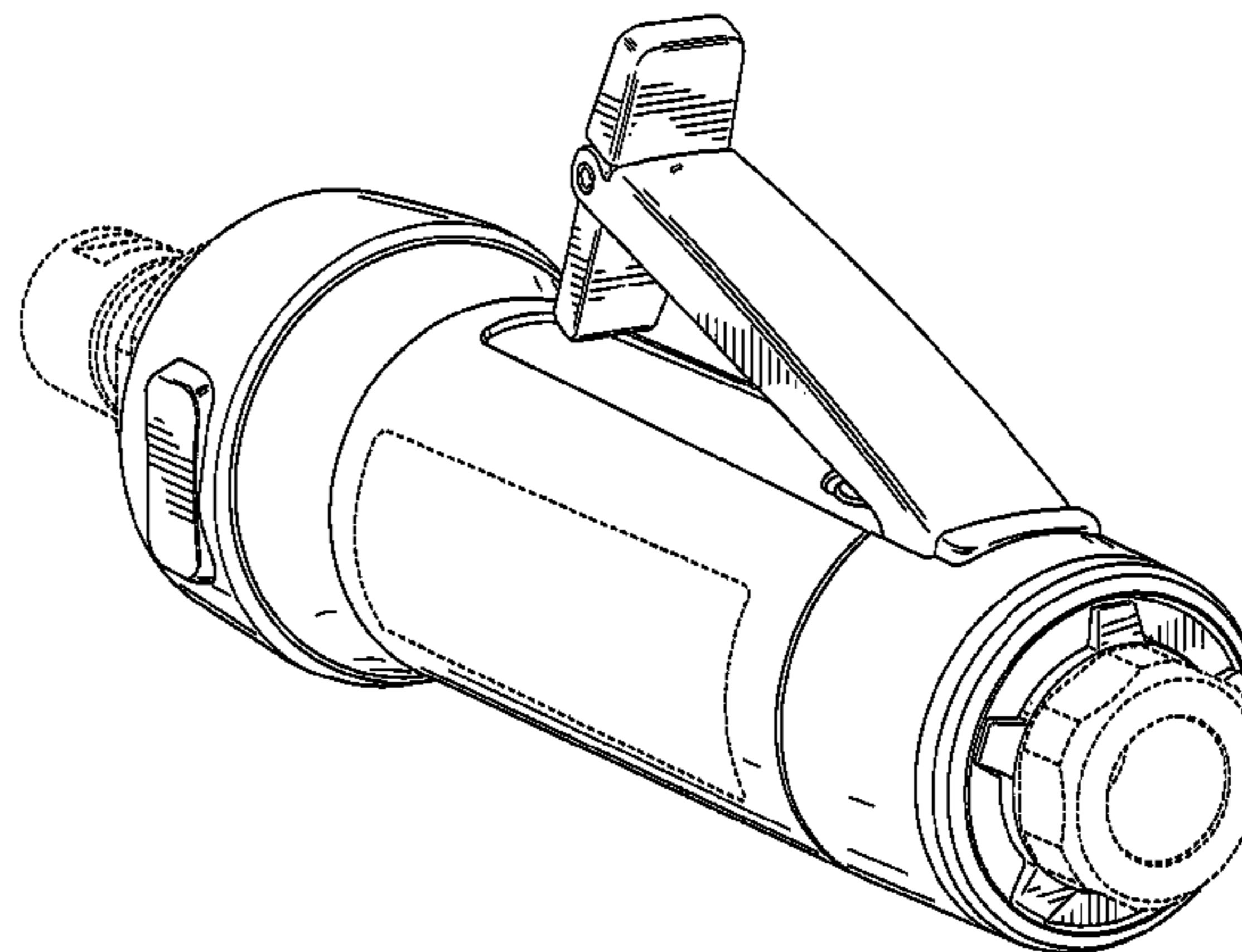
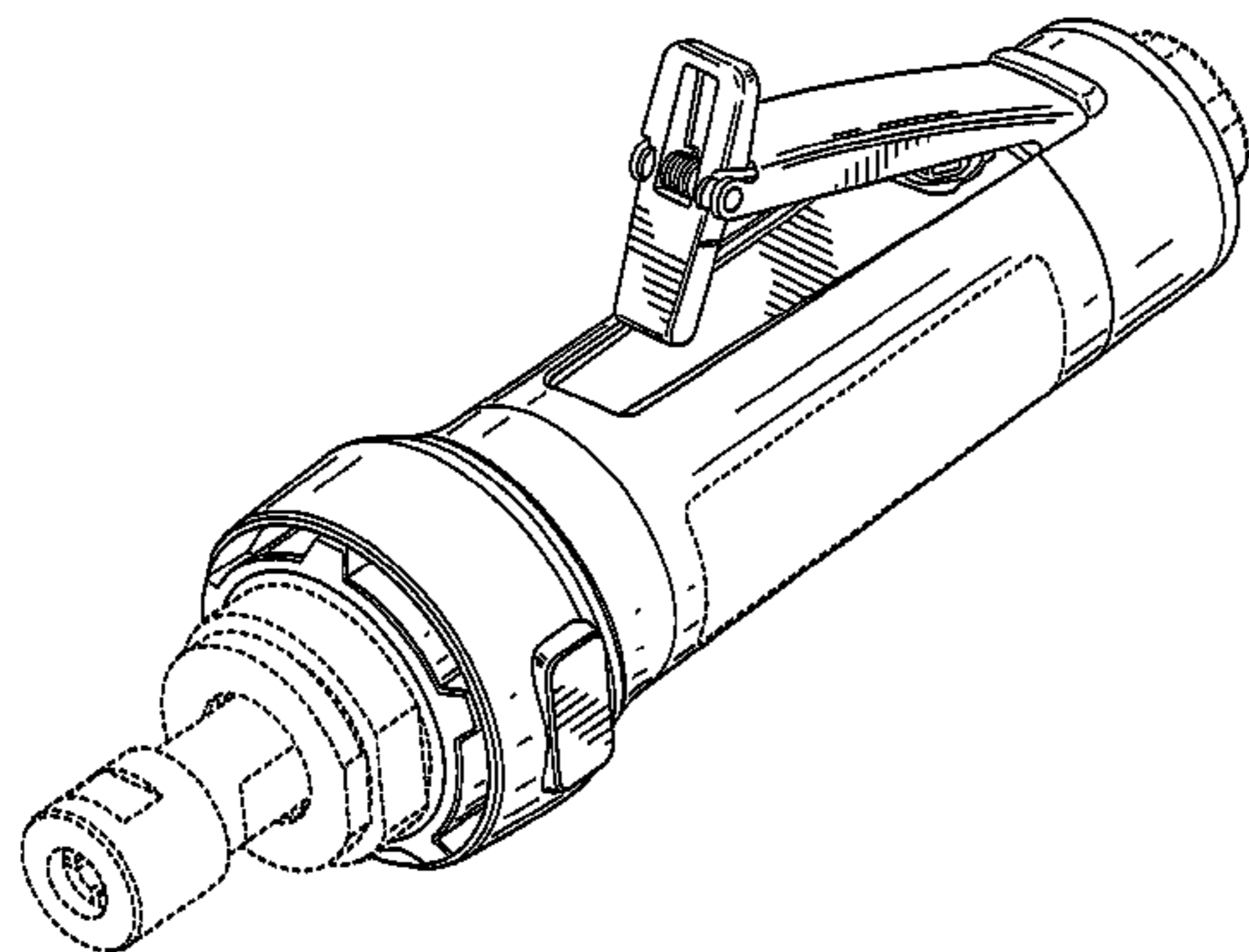
(57) **CLAIM**

The ornamental design for a hand-held power tool, as shown and described.

DESCRIPTION

FIG. 1 is a front perspective view of a hand-held power tool, showing my new design;
FIG. 2 is a rear perspective view thereof;
FIG. 3 is a side view thereof;
FIG. 4 is an opposing side view thereof;
FIG. 5 is a top plan view thereof;
FIG. 6 is a bottom view thereof;
FIG. 7 is a front end view thereof; and,
FIG. 8 is rear end view thereof.
The broken lines shown herein are for illustrative purposes only and form no part of the claimed design.

1 Claim, 8 Drawing Sheets



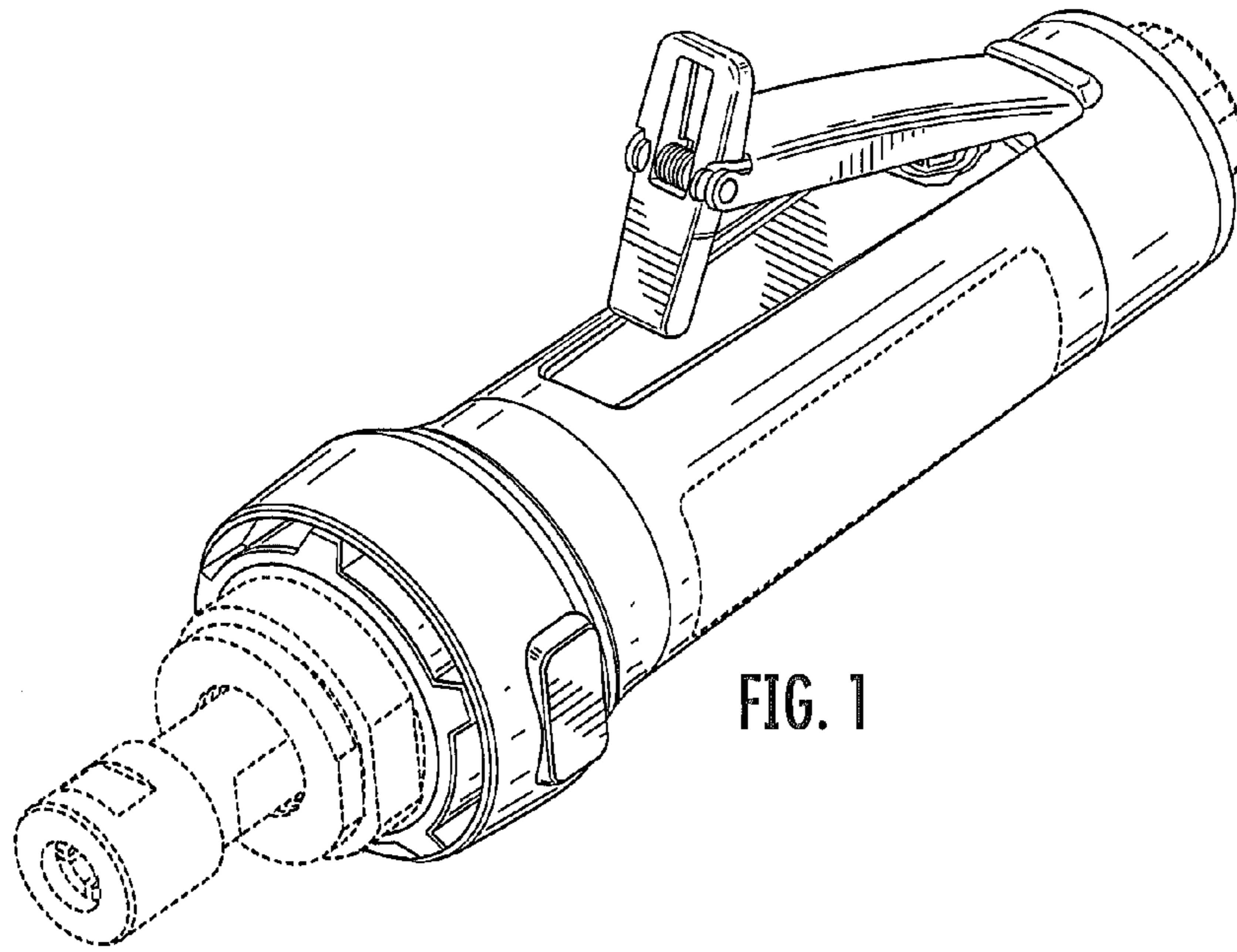


FIG. 1

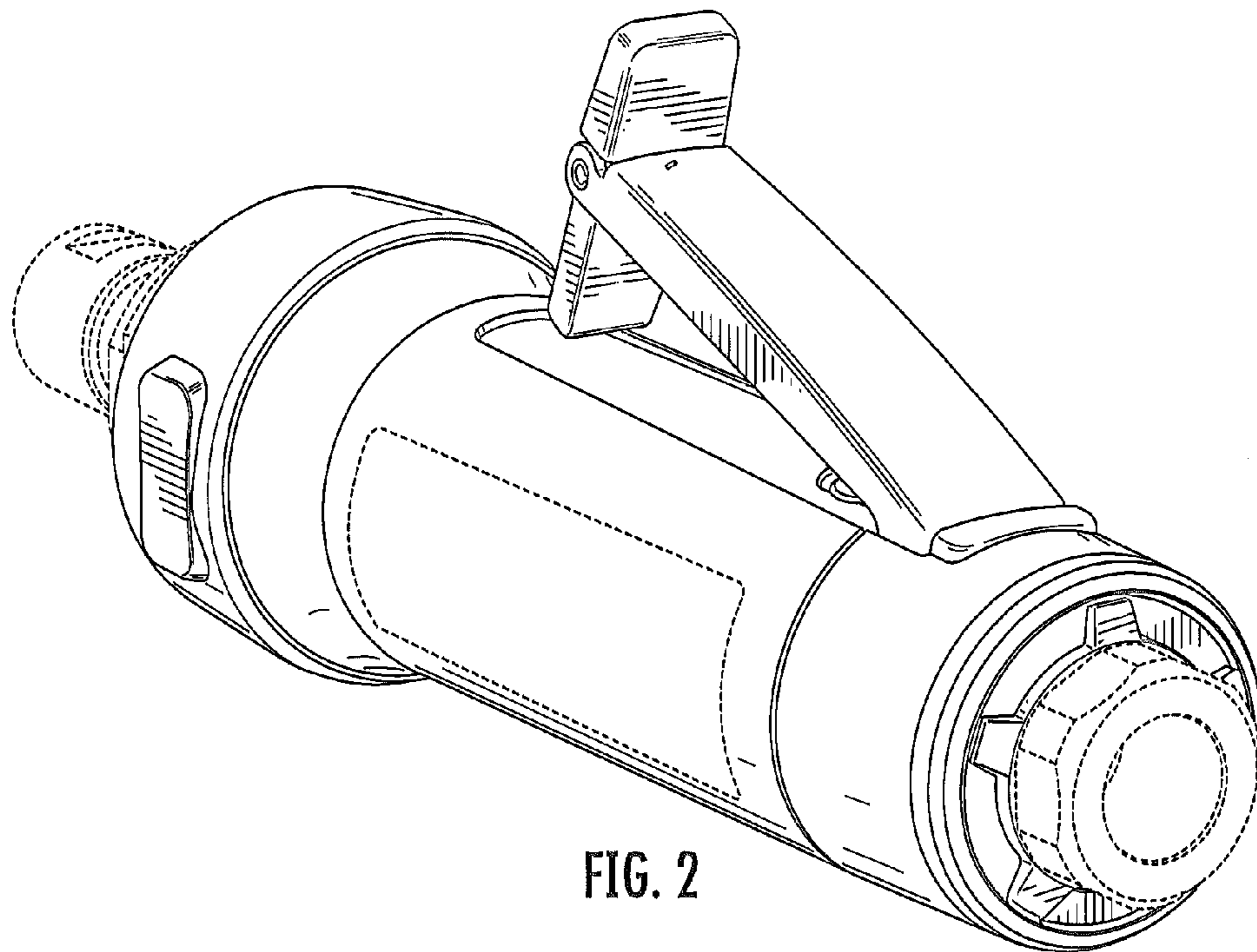


FIG. 2

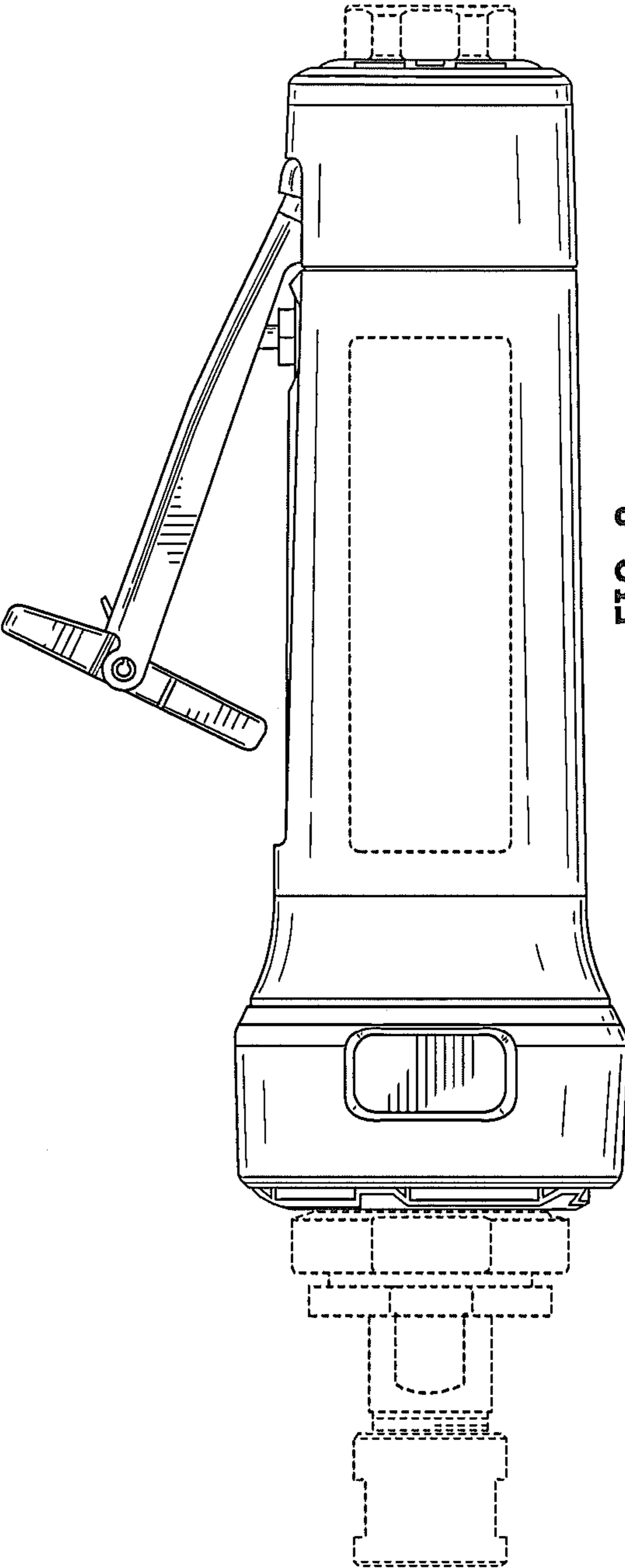


FIG. 3

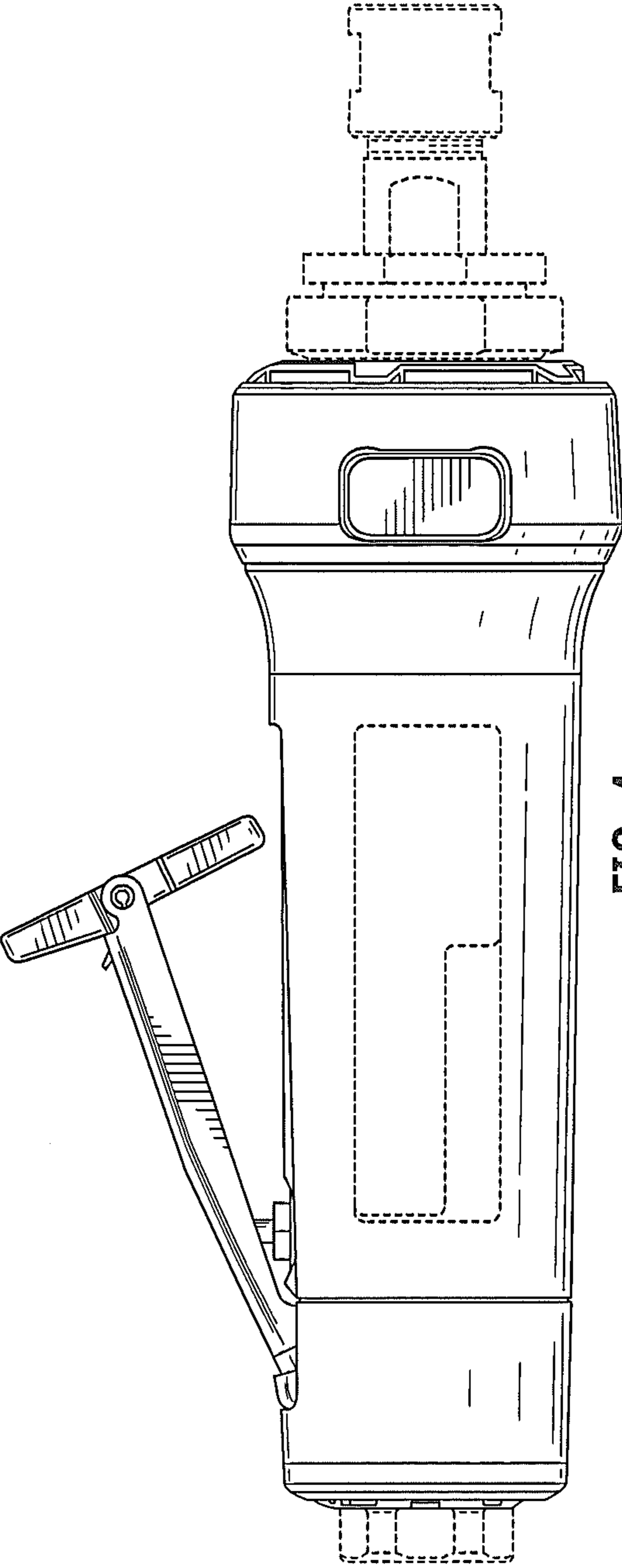


FIG. 4

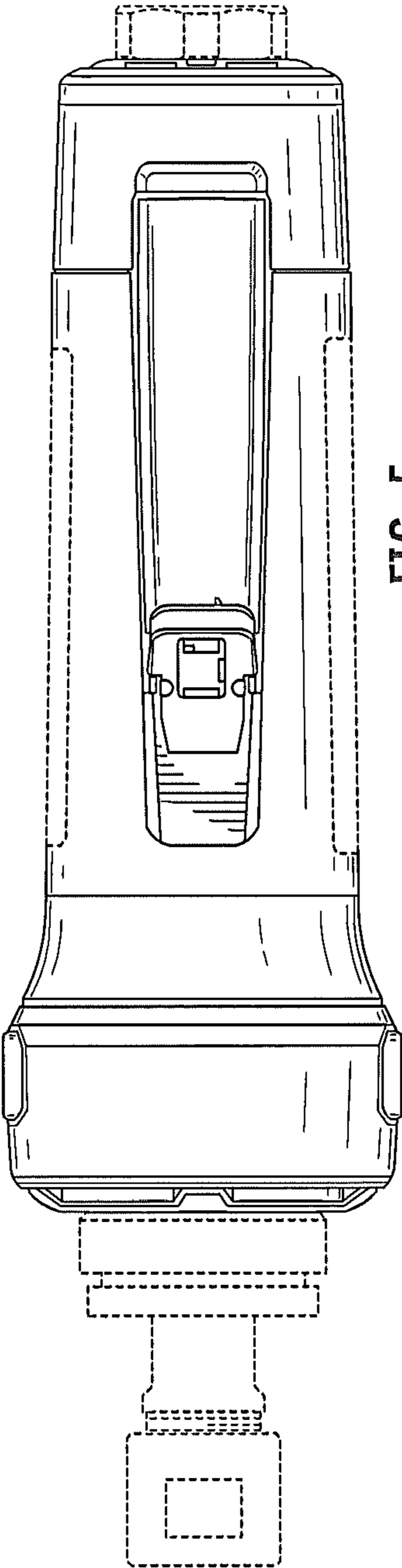


FIG. 5

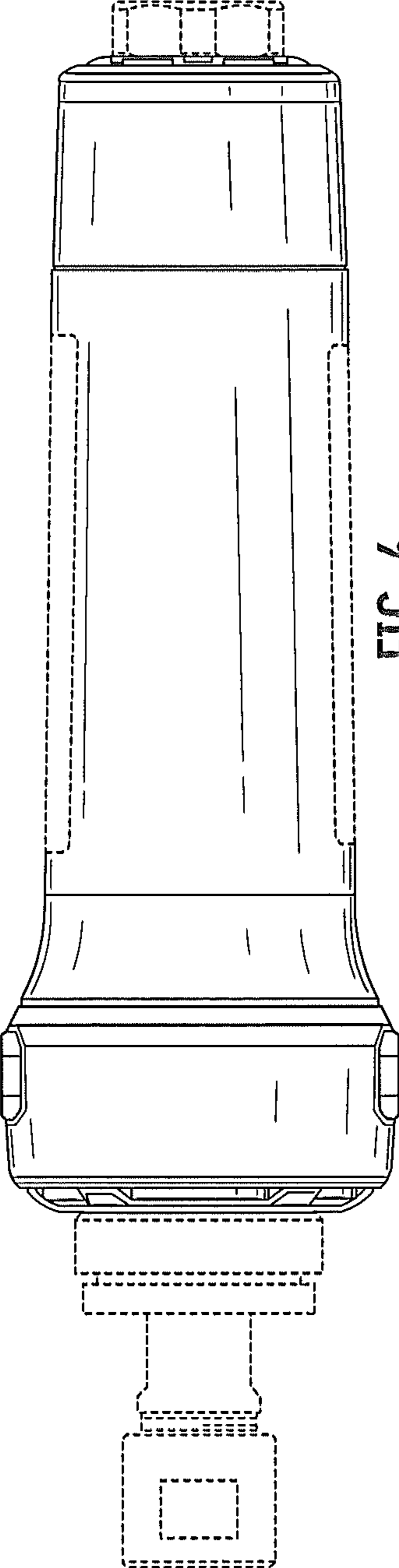


FIG. 6

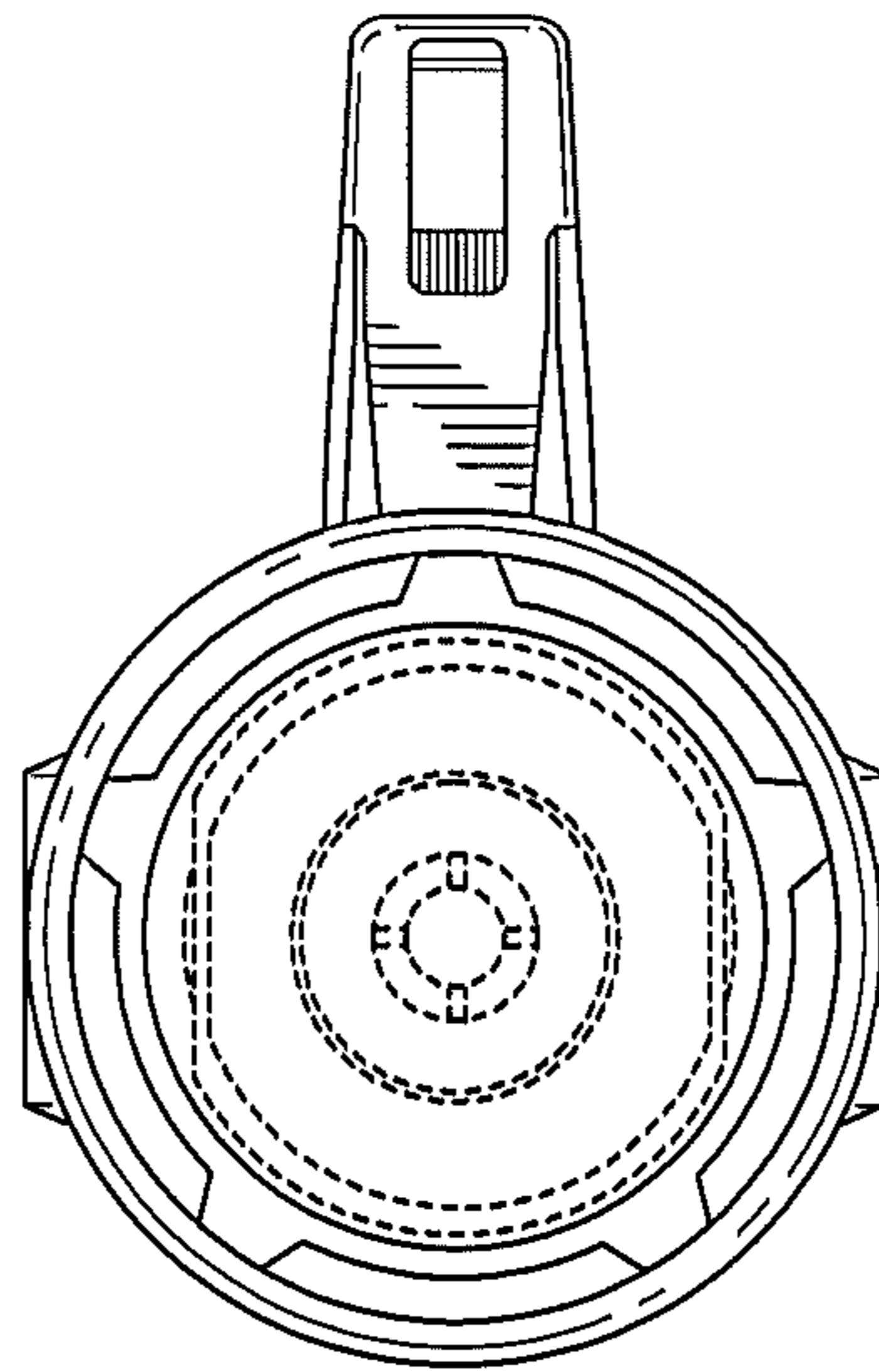


FIG. 7

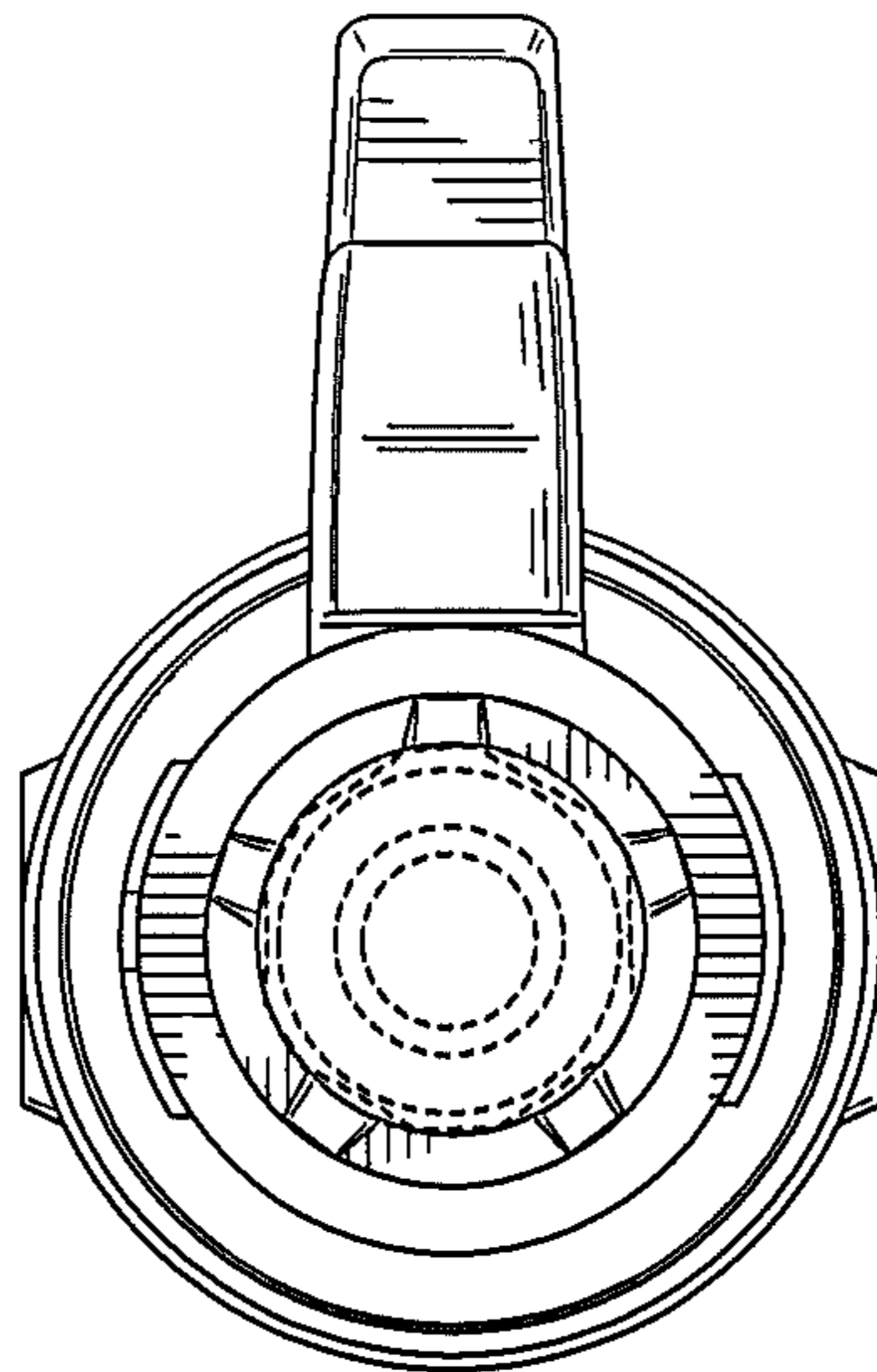


FIG. 8