



US00D682646S

(12) **United States Design Patent**
Knopp et al.

(10) **Patent No.:** **US D682,646 S**

(45) **Date of Patent:** **** May 21, 2013**

(54) **CONTROL UNIT**

(75) Inventors: **Brian Knopp**, North Huntingdon, PA
(US); **Brian Miller**, Latrobe, PA (US)

(73) Assignee: **Bolttech, Inc.**, North Versailles, PA (US)

(**) Term: **14 Years**

(21) Appl. No.: **29/375,934**

(22) Filed: **Sep. 29, 2010**

(51) **LOC (9) Cl.** **08-03**

(52) **U.S. Cl.**
USPC **D8/61**

(58) **Field of Classification Search** D23/355-370,
D23/381, 382, 335, 336, 338; 261/DIG. 17,
261/DIG. 42, DIG. 65, DIG. 88, DIG. 89;
239/34, 35, 37, 44, 53, 56, 57, 60, 136, 326;
392/386, 390, 394, 395; D28/5, 6; D12/419;
D13/123, 162; D15/7, 9; D7/709

See application file for complete search history.

(56) **References Cited**

U.S. PATENT DOCUMENTS

D302,356 S *	7/1989	Bell et al.	D12/424
D306,302 S *	2/1990	Izume et al.	D15/144.1
D328,305 S *	7/1992	Wong	D15/9
D329,843 S *	9/1992	Ishida	D13/162
D354,753 S *	1/1995	Turner et al.	D15/7
D429,736 S *	8/2000	Flynn	D15/7
D456,761 S *	5/2002	Hoy	D12/419

D461,161 S *	8/2002	Hoy	D12/419
D476,996 S *	7/2003	Amit et al.	D15/7
D478,905 S *	8/2003	Byrne et al.	D14/384
D497,783 S *	11/2004	Krieger et al.	D7/709
D502,710 S *	3/2005	Hsiao	D15/9
D525,936 S *	8/2006	Tanabe et al.	D13/123
D527,225 S *	8/2006	Krieger et al.	D7/605
D572,273 S *	7/2008	Carpenter et al.	D15/7
D574,019 S *	7/2008	Amit et al.	D15/9
D594,952 S *	6/2009	Orihara et al.	D23/366

* cited by examiner

Primary Examiner — Austin Murphy

(74) *Attorney, Agent, or Firm* — Richard C. Litman

(57) **CLAIM**

The ornamental design for a control unit, as shown and described.

DESCRIPTION

FIG. 1 is a perspective view of a control unit showing my new design;

FIG. 2 is a front elevational view thereof;

FIG. 3 is a rear elevational view thereof;

FIG. 4 is a right side elevational view thereof;

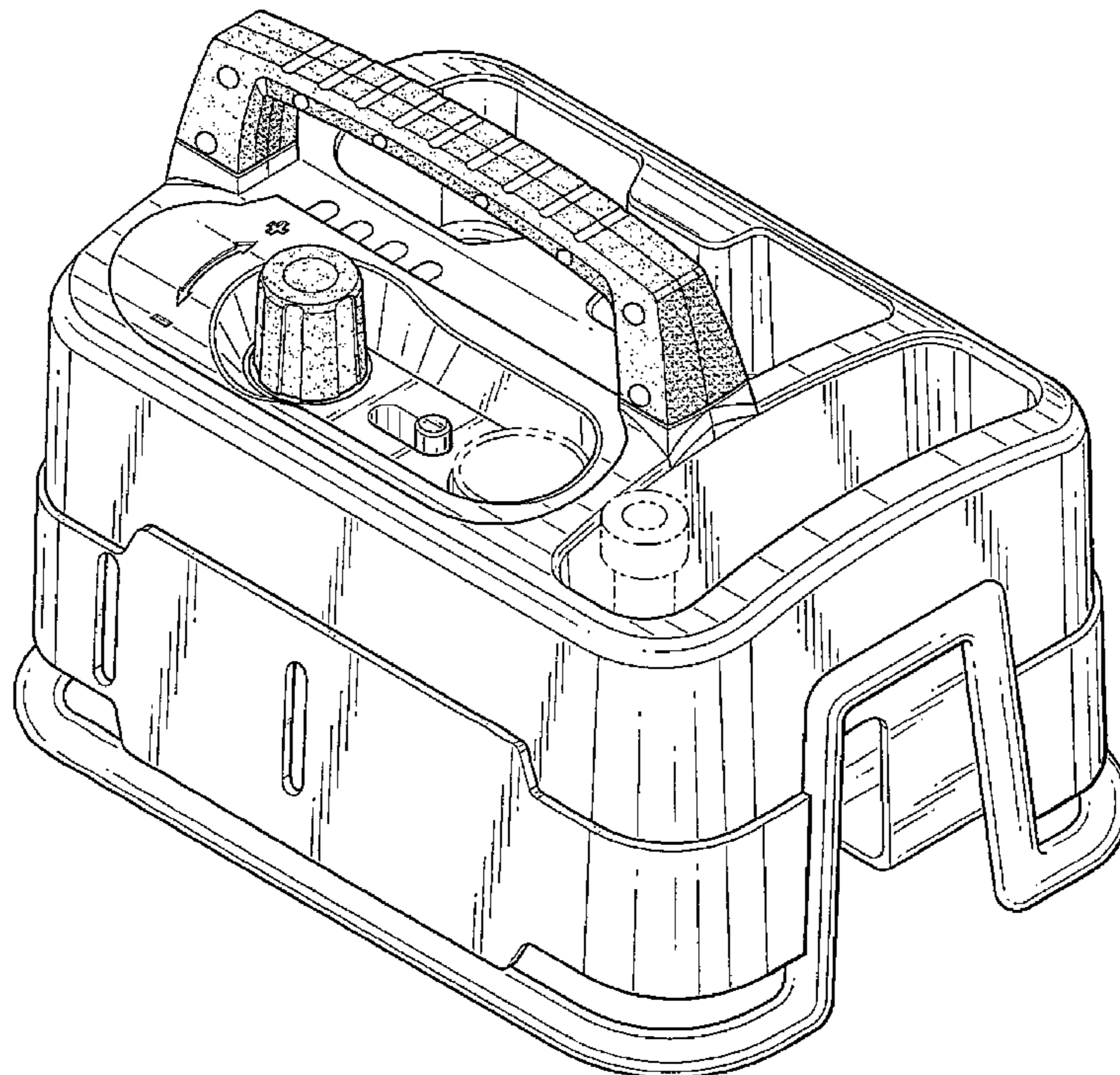
FIG. 5 is a left side elevational view thereof;

FIG. 6 is a top view thereof; and,

FIG. 7 is a bottom view thereof.

The broken line showings in FIGS. 1, 2, and 4-7 is for illustrative purposes only and forms no part of the claimed design.

1 Claim, 7 Drawing Sheets



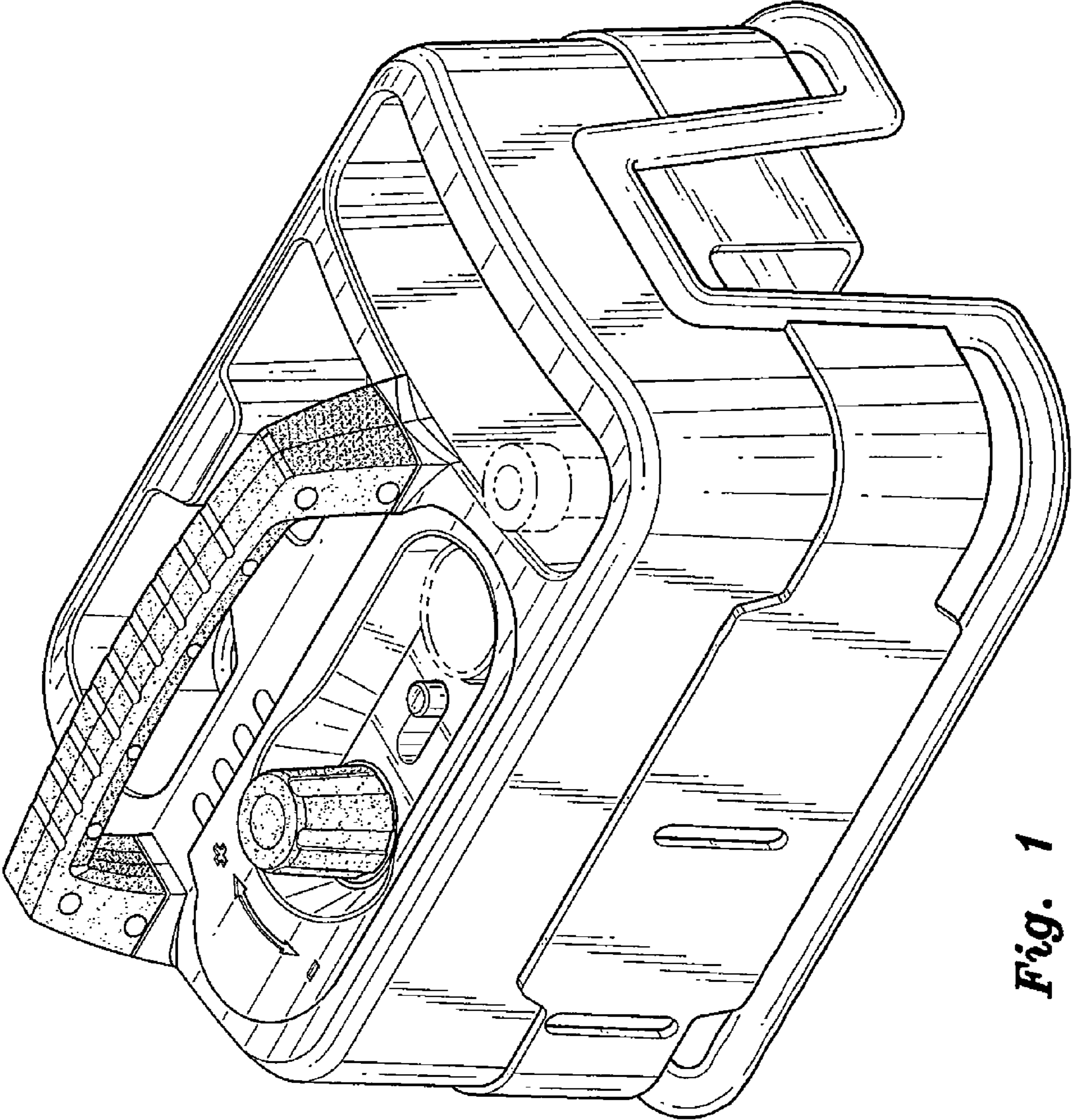


Fig. 1

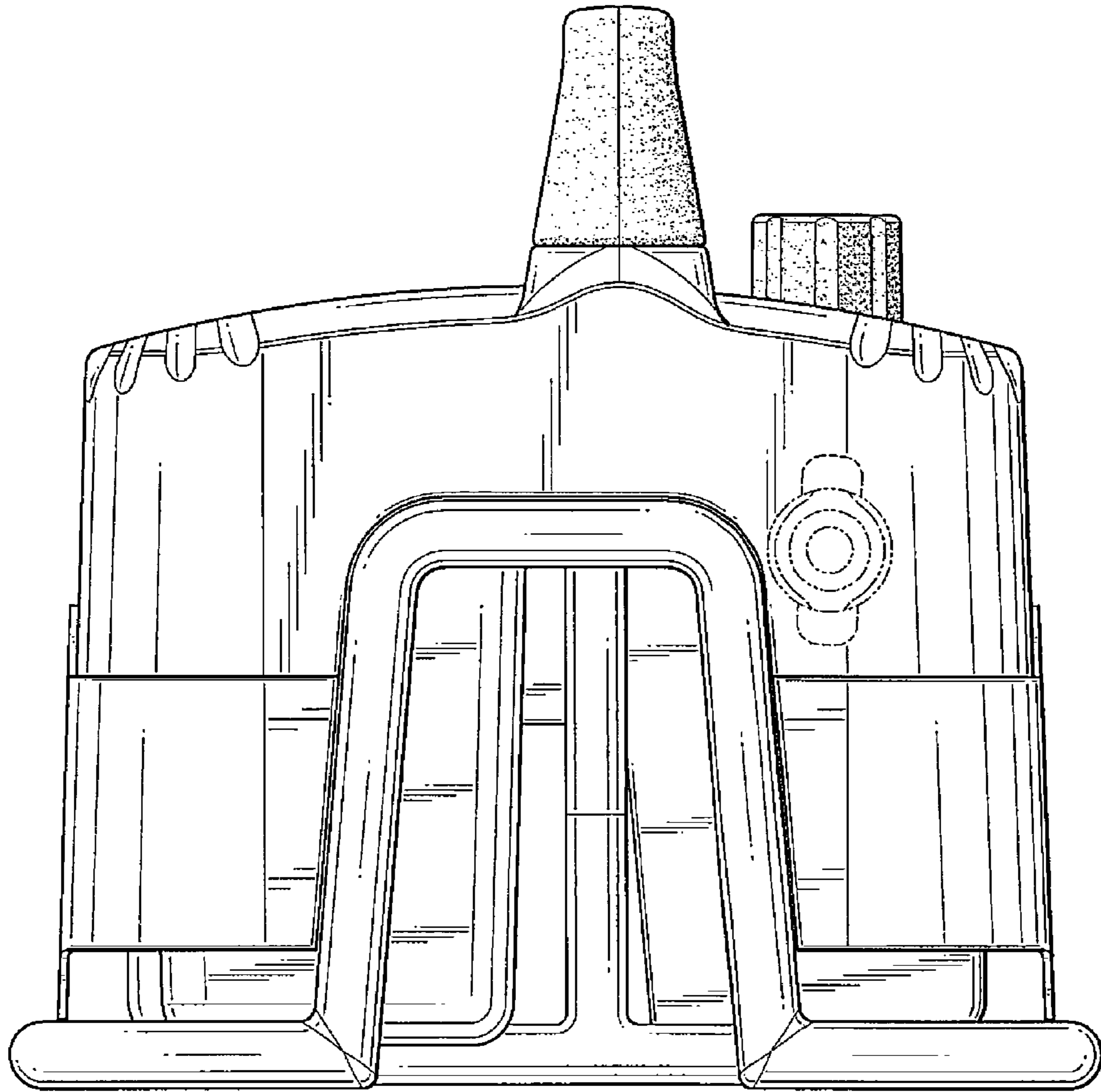


Fig. 2

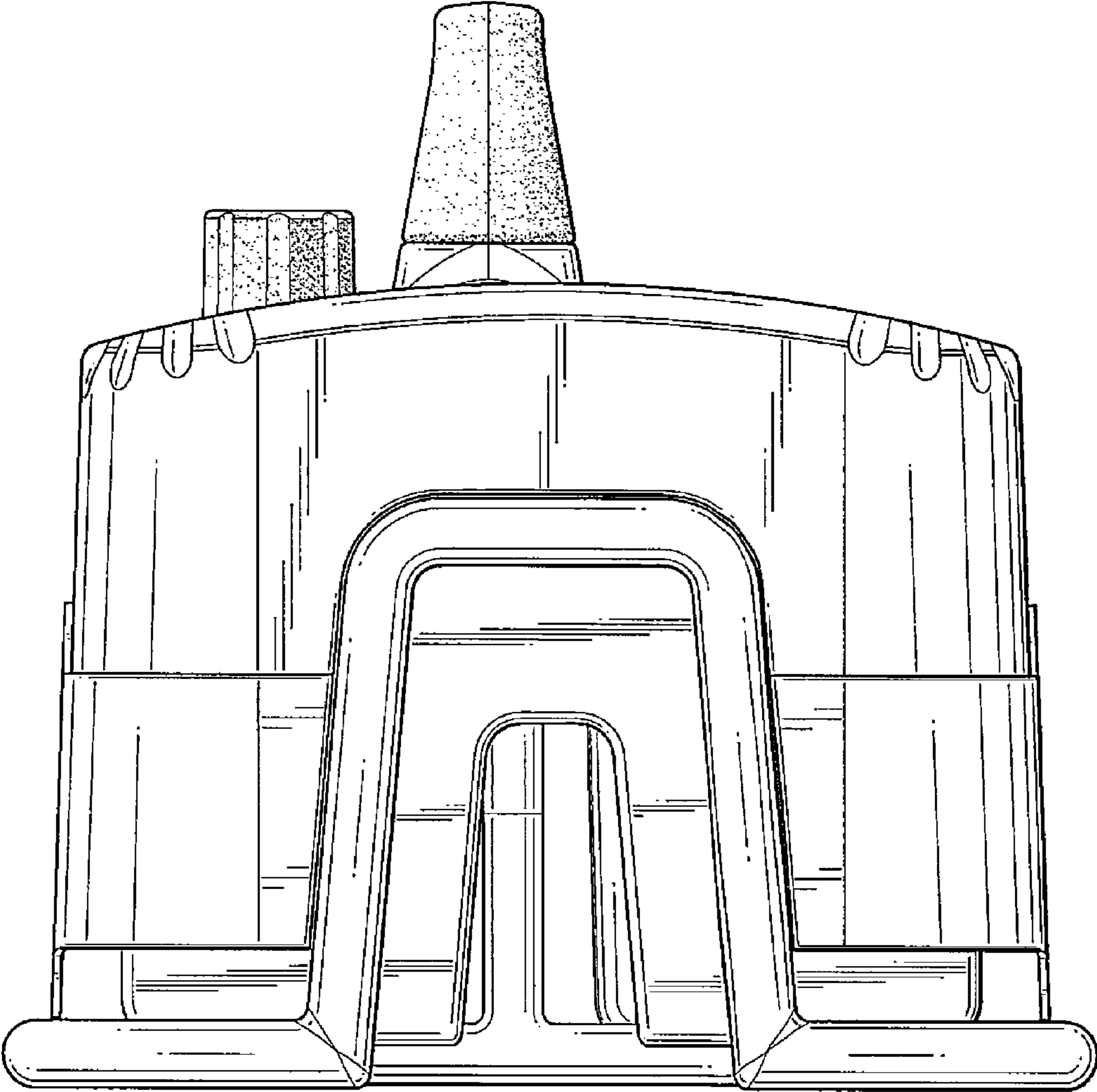


Fig. 3

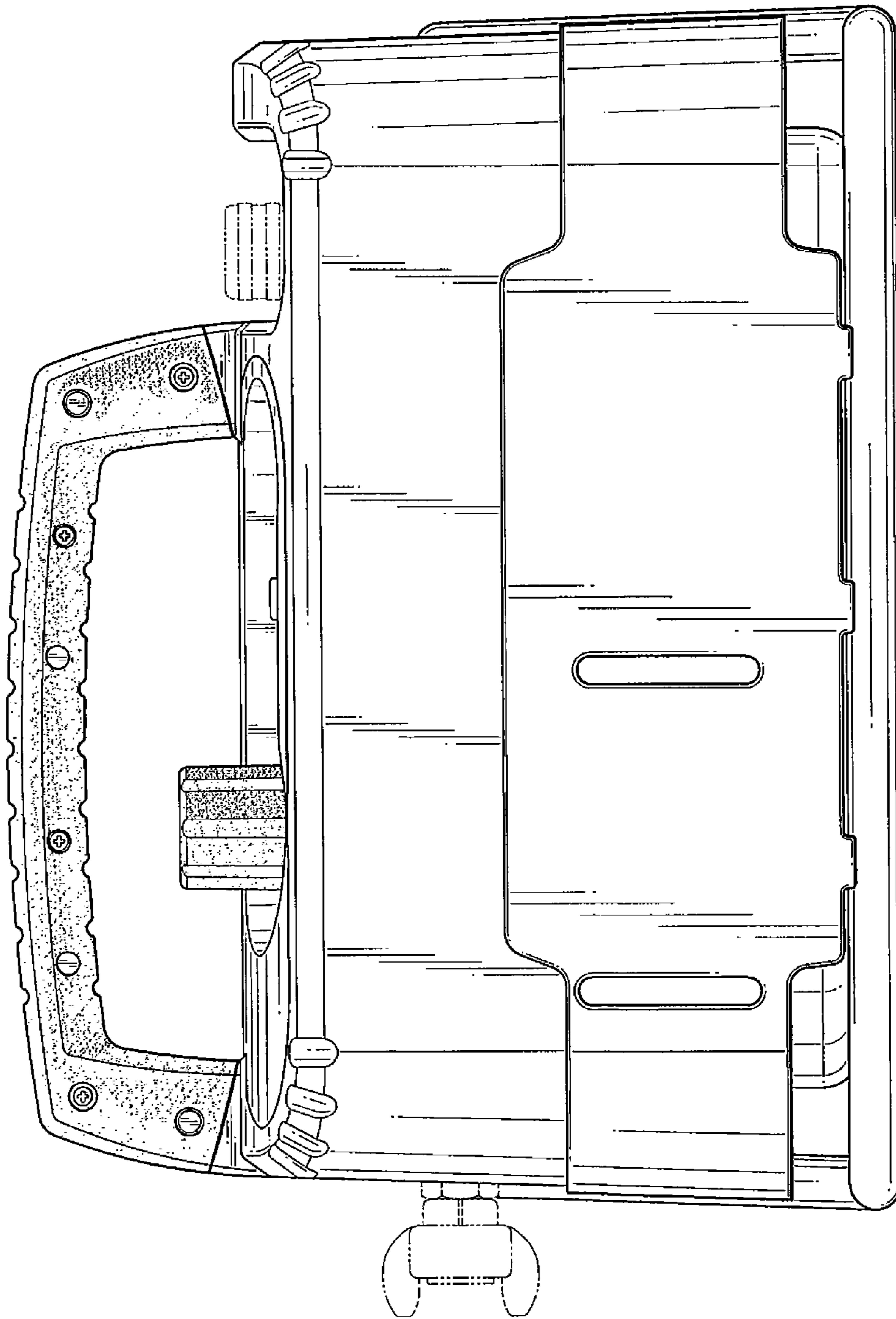


Fig. 4

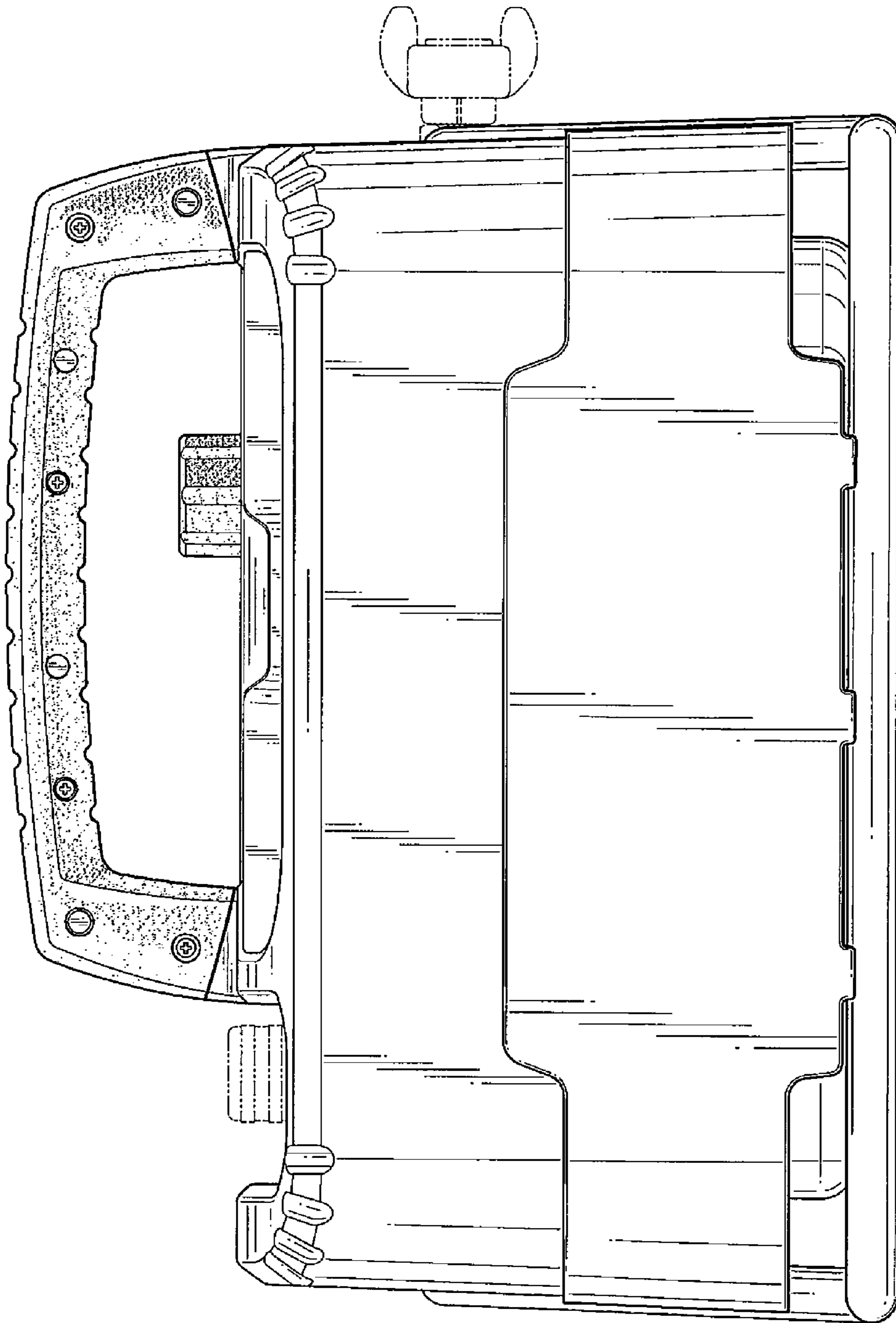


Fig. 5

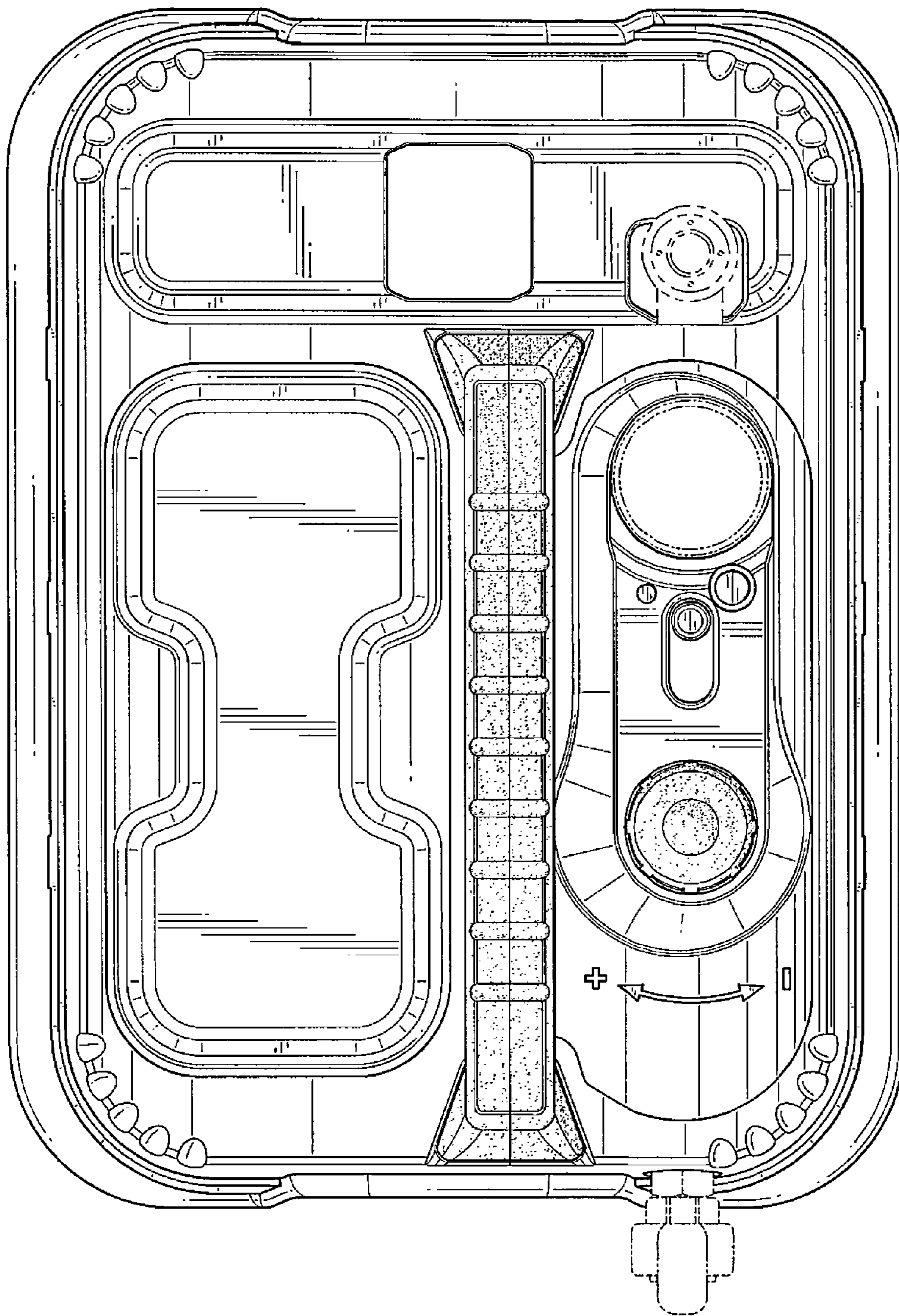


Fig. 6

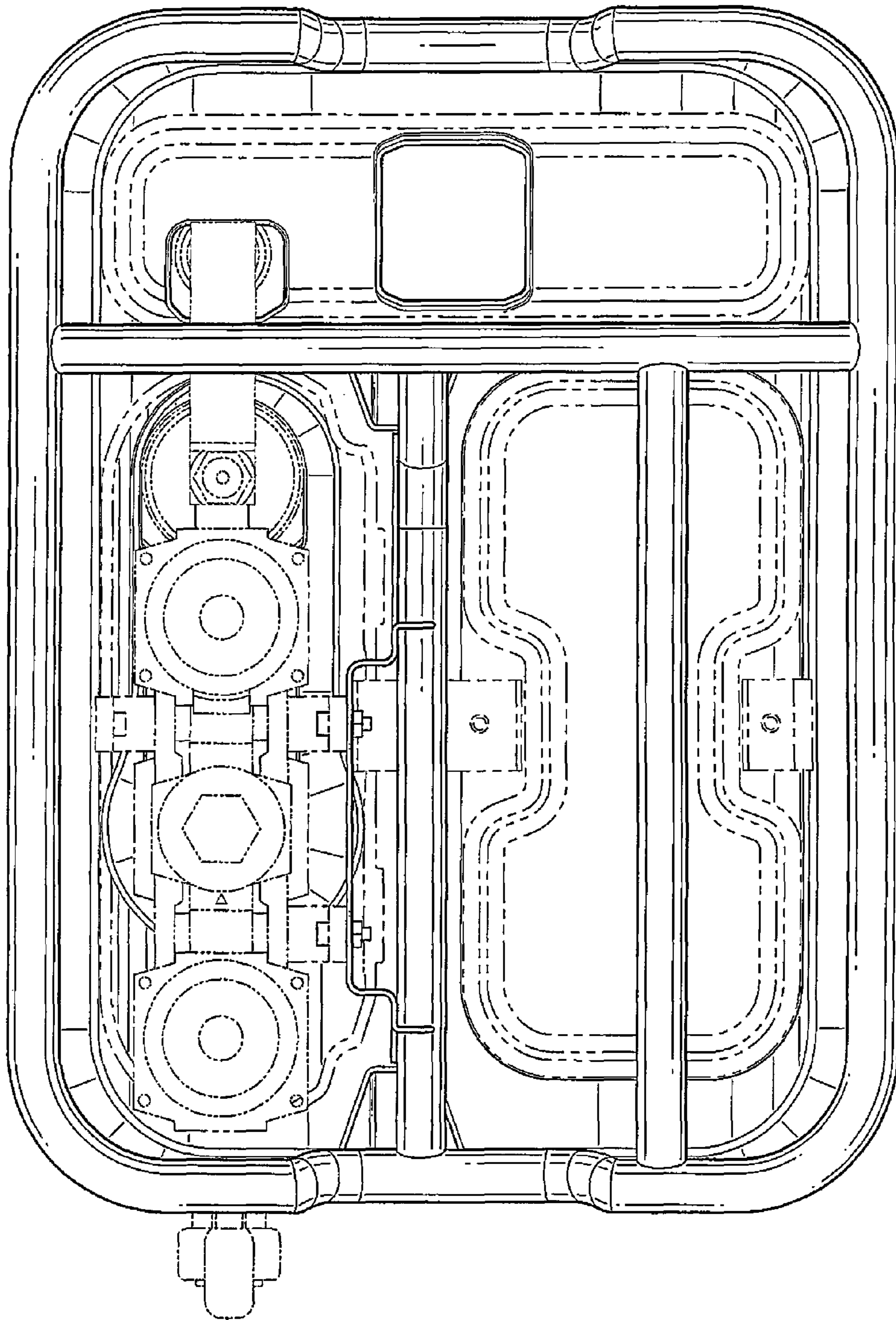


Fig. 7