



US00D682645S

(12) **United States Design Patent**  
**Ronan**

(10) **Patent No.:** **US D682,645 S**

(45) **Date of Patent:** **\*\* May 21, 2013**

(54) **PIPE CUTTER**

(76) Inventor: **John S. Ronan**, Temecula, CA (US)

(\*\*) Term: **14 Years**

(21) Appl. No.: **29/426,366**

(22) Filed: **Jul. 3, 2012**

(51) **LOC (9) Cl.** ..... **08-03**

(52) **U.S. Cl.**  
USPC ..... **D8/60**

(58) **Field of Classification Search** ..... D8/5, 51,  
D8/52, 60, 98; D15/127-129; 30/92, 92.5,  
30/95, 96, 101, 102, 91.2  
See application file for complete search history.

(56) **References Cited**

**U.S. PATENT DOCUMENTS**

4,176,450	A *	12/1979	Muromoto	.....	30/92
5,718,051	A *	2/1998	Huang	.....	30/250
7,127,819	B1 *	10/2006	Huang	.....	30/92
D583,208	S *	12/2008	Huang	.....	D8/60
D612,697	S *	3/2010	Huang	.....	D8/60
D612,698	S *	3/2010	Huang	.....	D8/60
D614,929	S *	5/2010	Kobayashi	.....	D8/60
8,024,864	B2 *	9/2011	Mortensen	.....	30/250

\* cited by examiner

*Primary Examiner* — Sheryl Lane

(74) *Attorney, Agent, or Firm* — Loyal McKinley Hanson

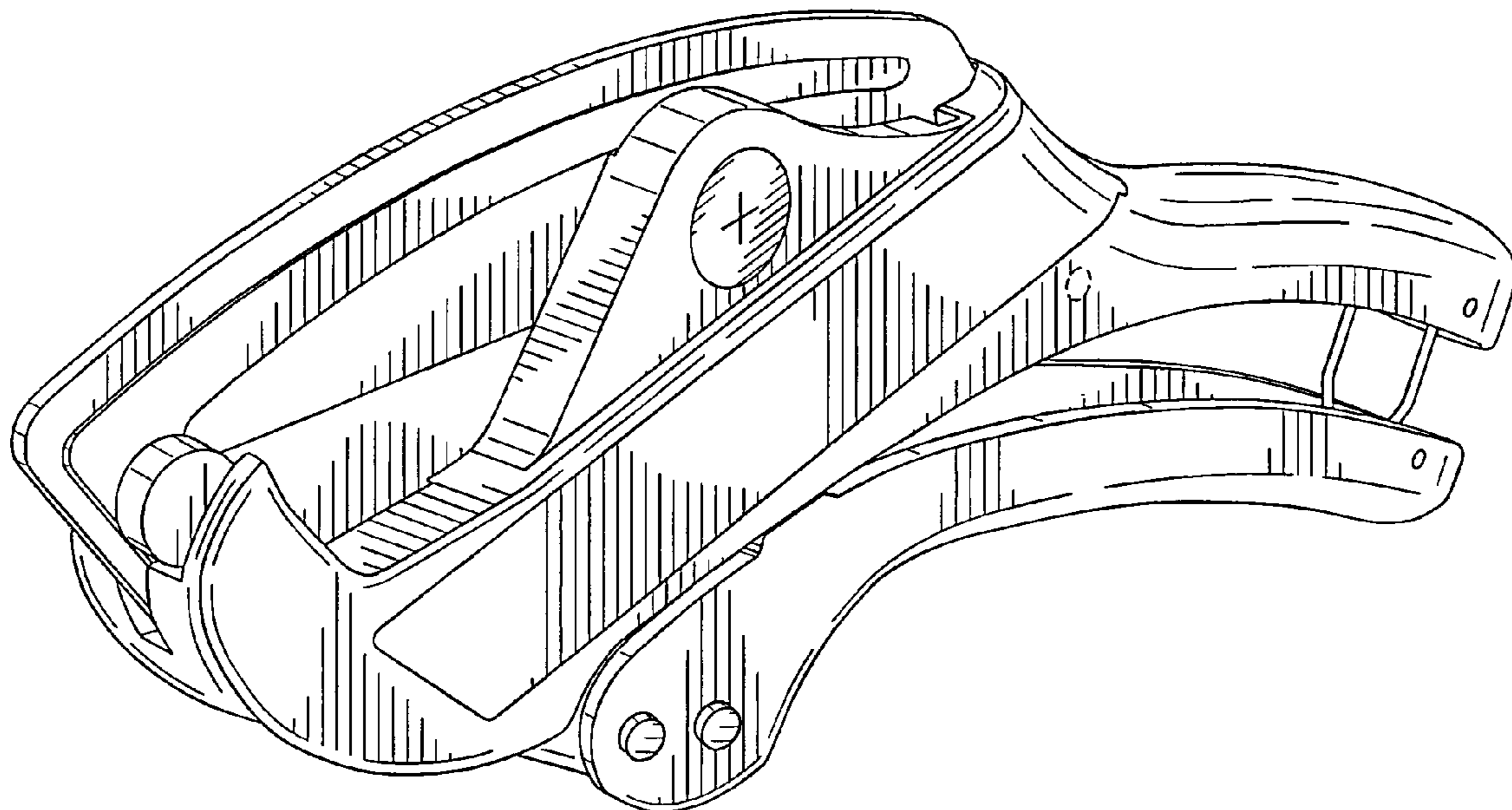
(57) **CLAIM**

I claim the ornamental design for a pipe cutter, as shown and described.

**DESCRIPTION**

FIG. 1 of the drawings is a perspective view showing the front, left side, and top of a pipe cutter embodying the design of my invention;  
 FIG. 2 is a left side elevation view of the pipe cutter;  
 FIG. 3 is a front elevation view;  
 FIG. 4 is a top plan view;  
 FIG. 5 is a bottom view;  
 FIG. 6 is a back view;  
 FIG. 7 is a right side elevation view; and,  
 FIG. 8 is a perspective view similar to FIG. 1 showing opposing top and bottom jaw components of the pipe cutter in an open position.  
 The portions of the pipe cutter shown in broken lines in the drawings form no part of the claimed design.

**1 Claim, 3 Drawing Sheets**



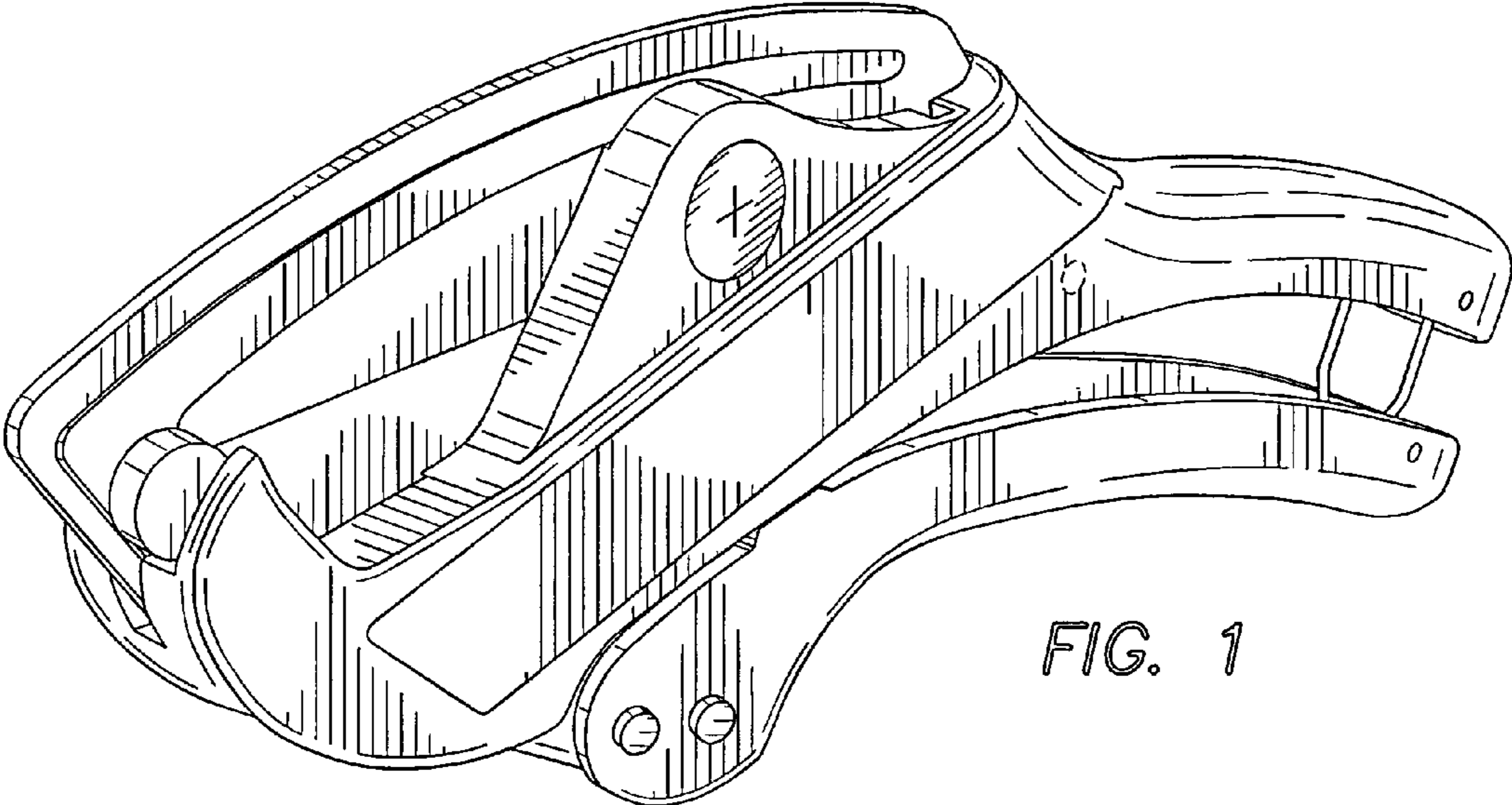


FIG. 1

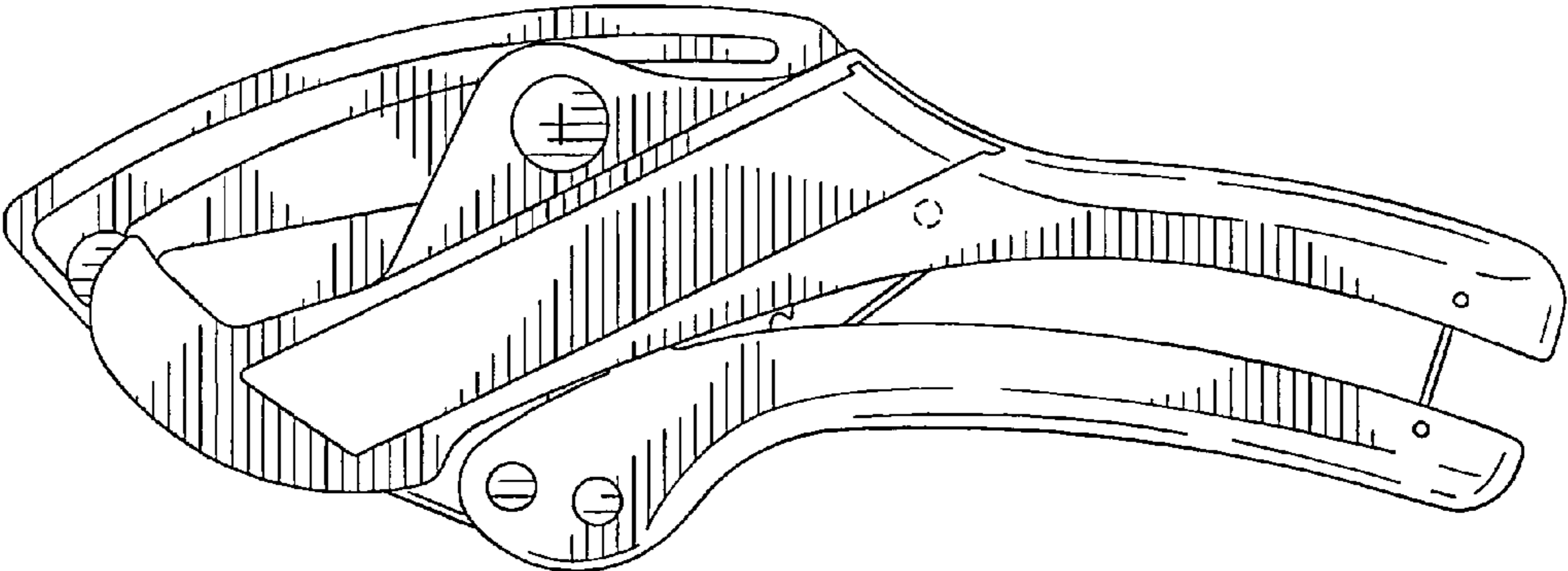
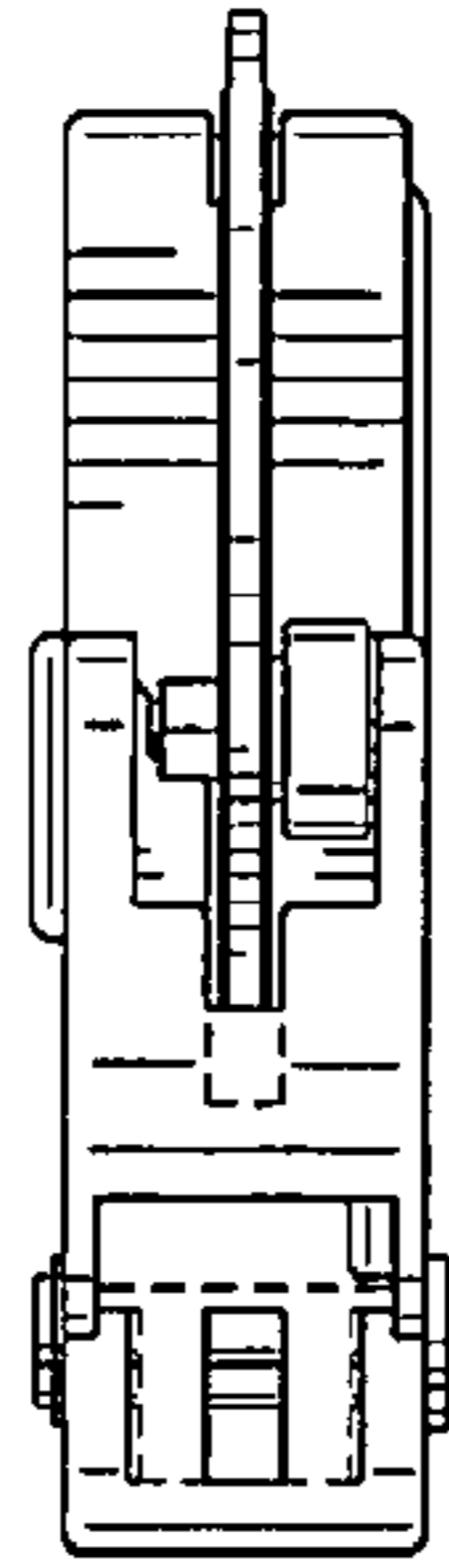
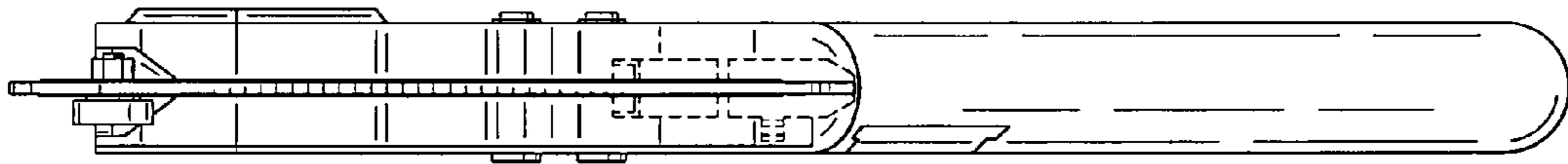


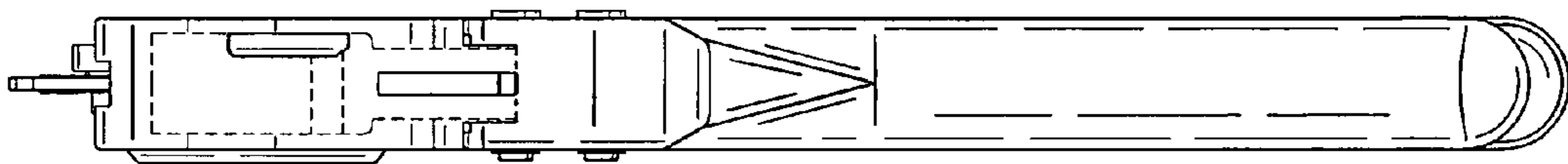
FIG. 2



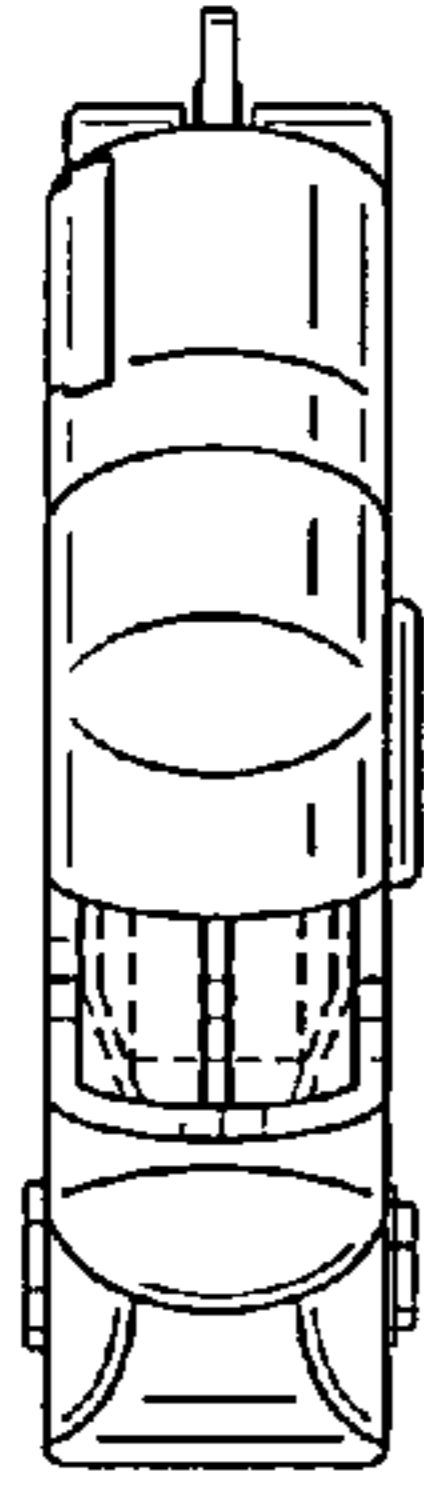
*FIG. 3*



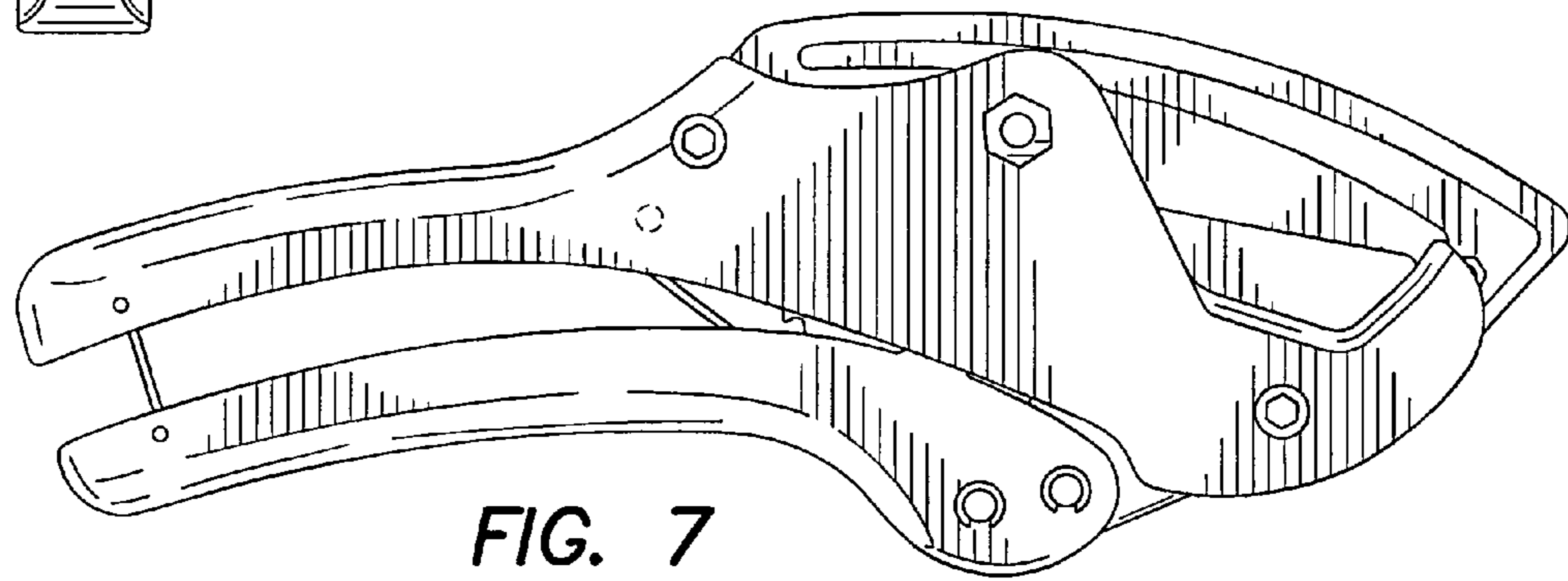
*FIG. 4*



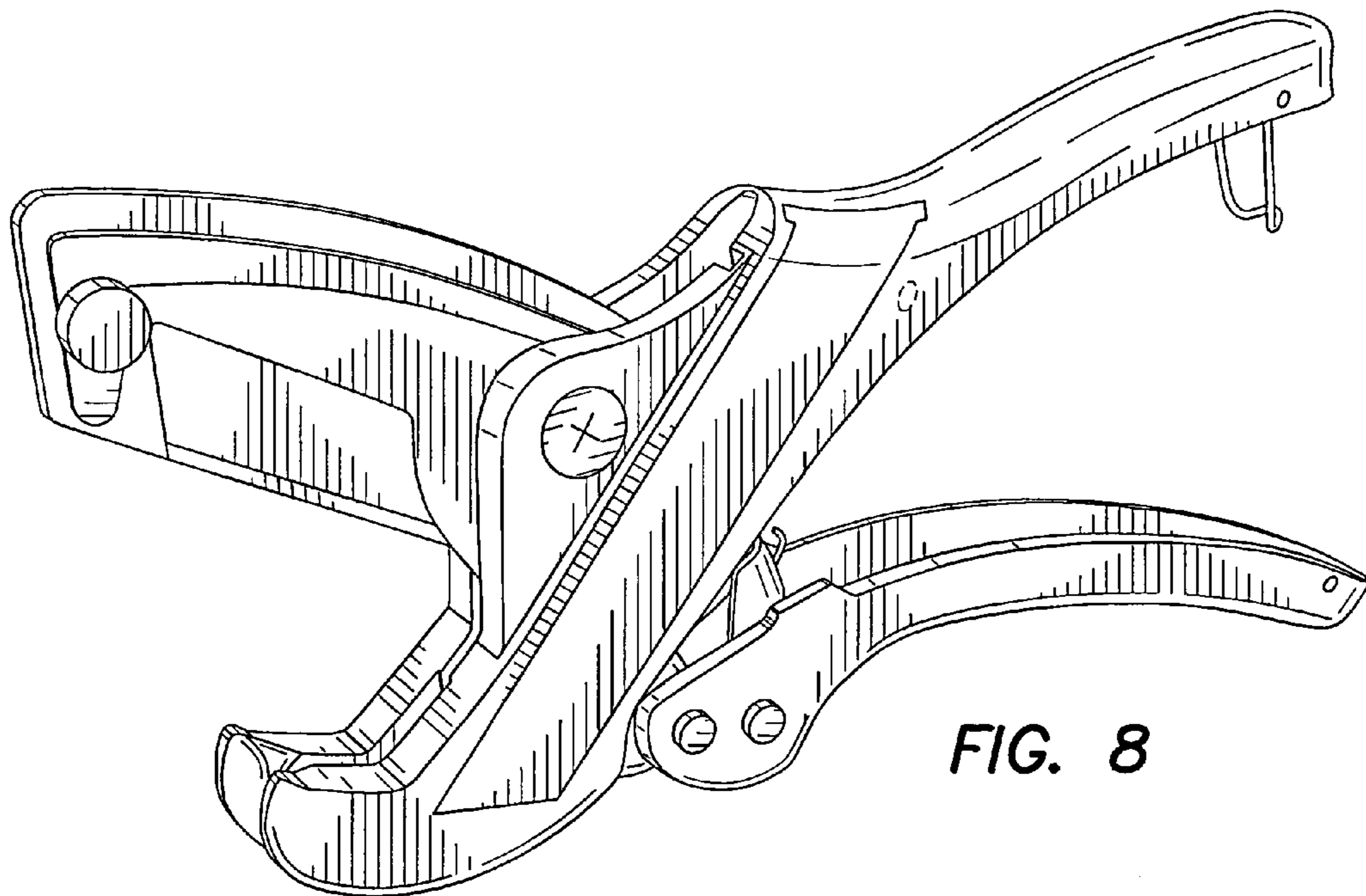
*FIG. 5*



**FIG. 6**



**FIG. 7**



**FIG. 8**