



US00D682643S

(12) **United States Design Patent**
Yang

(10) **Patent No.:** **US D682,643 S**
(45) **Date of Patent:** **** May 21, 2013**

(54) **COMBINATION WRENCH**

(76) Inventor: **Te-Chuan Yang**, Taichung (TW)

(**) Term: **14 Years**

(21) Appl. No.: **29/431,299**

(22) Filed: **Sep. 5, 2012**

(51) **LOC (9) Cl.** **08-05**

(52) **U.S. Cl.**
USPC **D8/28**

(58) **Field of Classification Search** D8/21-29;
81/60, 177.1, 177.85, 121.1, 124.3, 165-170,
81/110.1, 176.2, 124.6, 176.1, 176.15, 177.2,
81/186, 125, 119, 180.1, 185.02; 16/110.1;
D15/144.1; 219/75, 227, 229, 121.16, 121.18
See application file for complete search history.

(56) **References Cited**

U.S. PATENT DOCUMENTS

D238,999	S	*	3/1976	Numbers	D8/17
4,504,087	A	*	3/1985	Pennington	292/347
D394,789	S	*	6/1998	Futo et al.	D8/22
D433,895	S	*	11/2000	Kindel	D8/28

D539,623 S * 4/2007 Yu D8/40

* cited by examiner

Primary Examiner — Raphael Barkai
Assistant Examiner — Randall Gholson

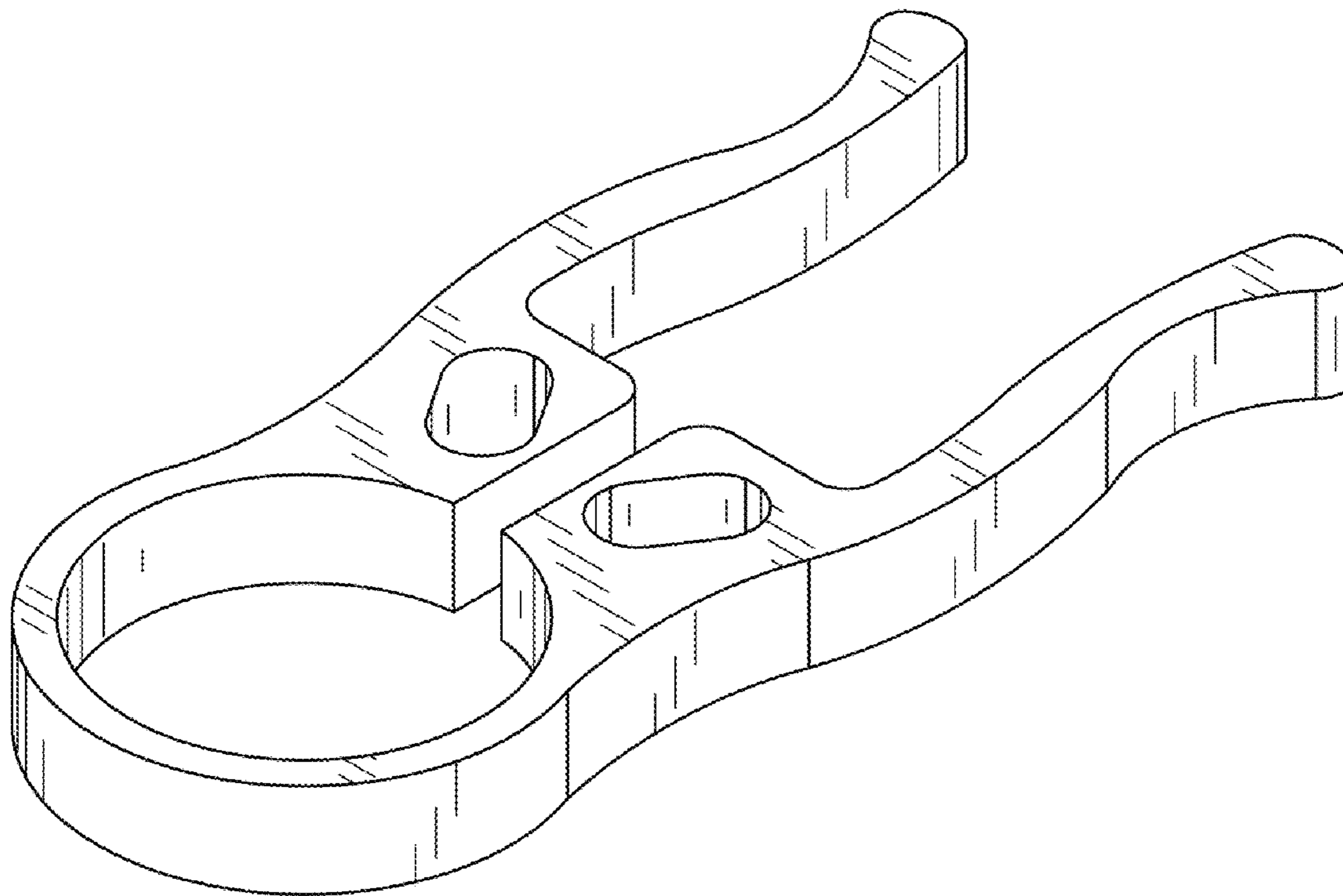
(57) **CLAIM**

The ornamental design for a combination wrench, as shown and described.

DESCRIPTION

FIG. 1 is a perspective view of a combination wrench showing my new design;
FIG. 2 is a front elevational view thereof;
FIG. 3 is a rear elevational view thereof;
FIG. 4 is a left side view thereof;
FIG. 5 is a right side view thereof;
FIG. 6 is a top plan view thereof;
FIG. 7 is a bottom plan view thereof; and,
FIG. 8 is an assembled view for showing the combination wrench which is assembled to a handle, wherein the broken line portion is for illustrative purpose only and forms no part of the claimed design.

1 Claim, 6 Drawing Sheets



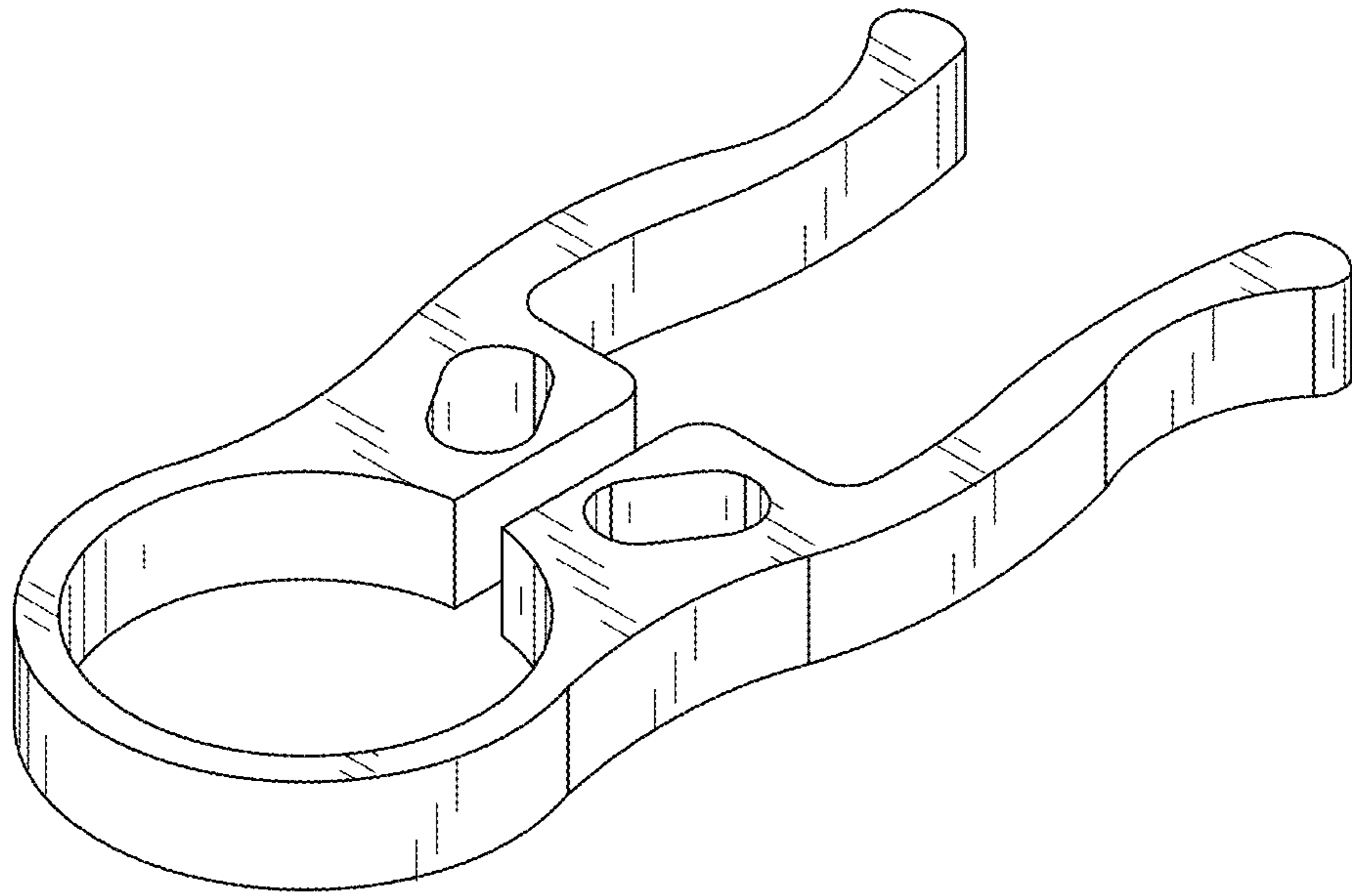


FIG. 1



FIG. 2

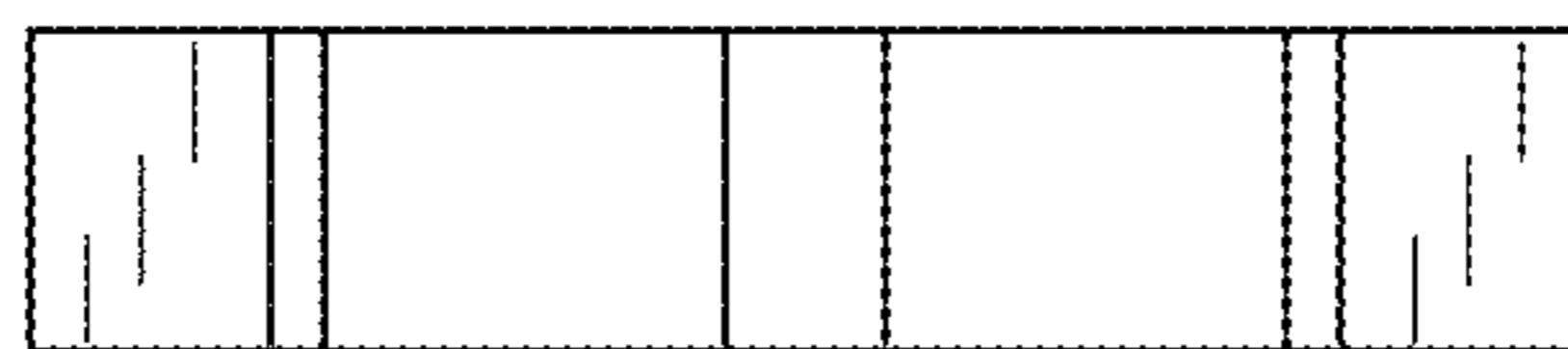


FIG. 3

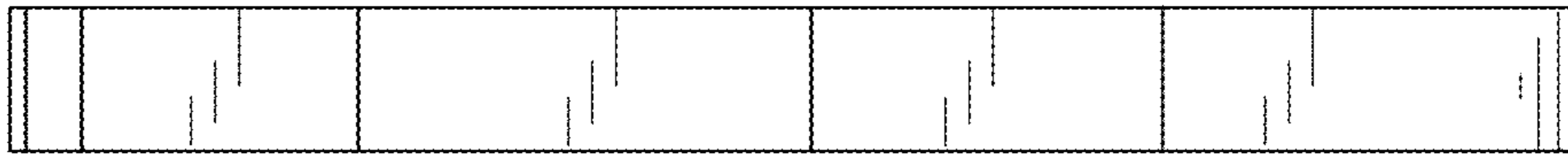


FIG. 4



FIG. 5

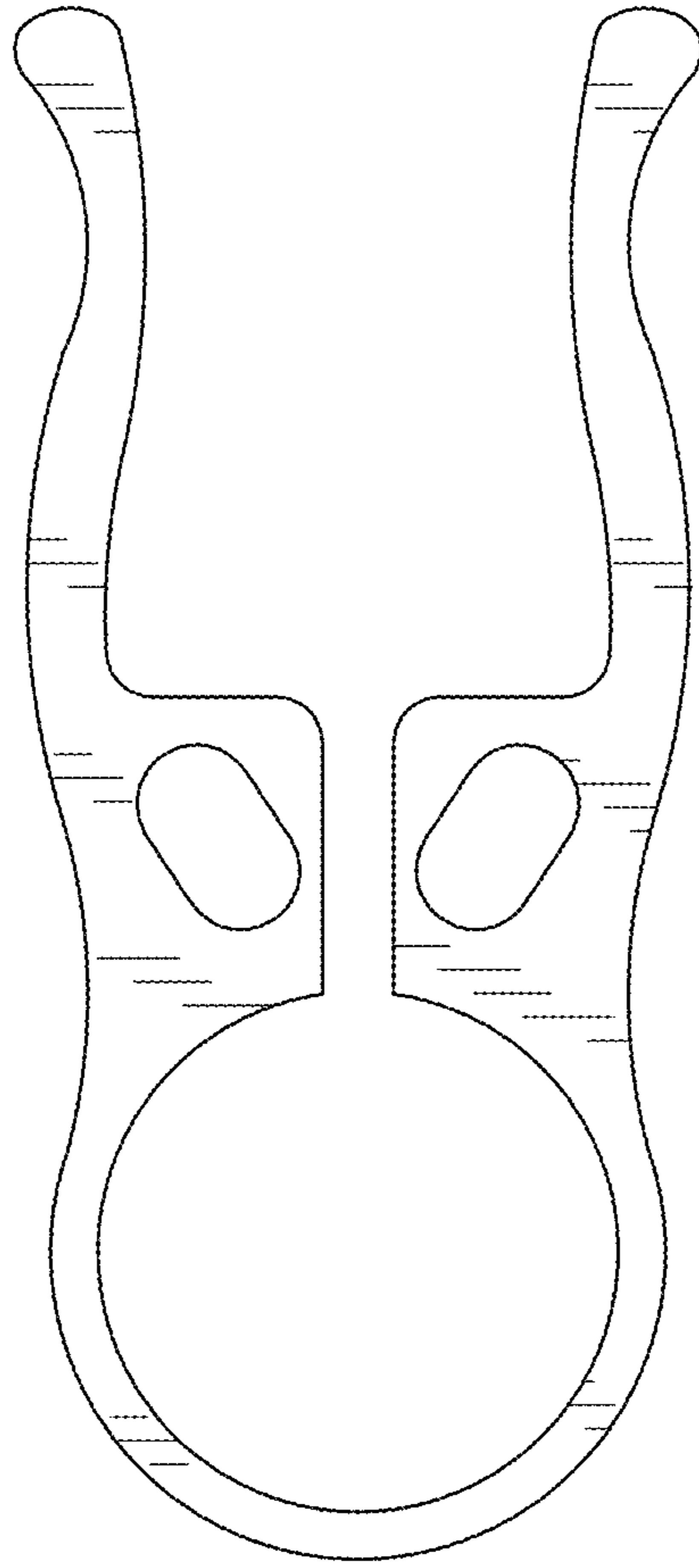


FIG. 6

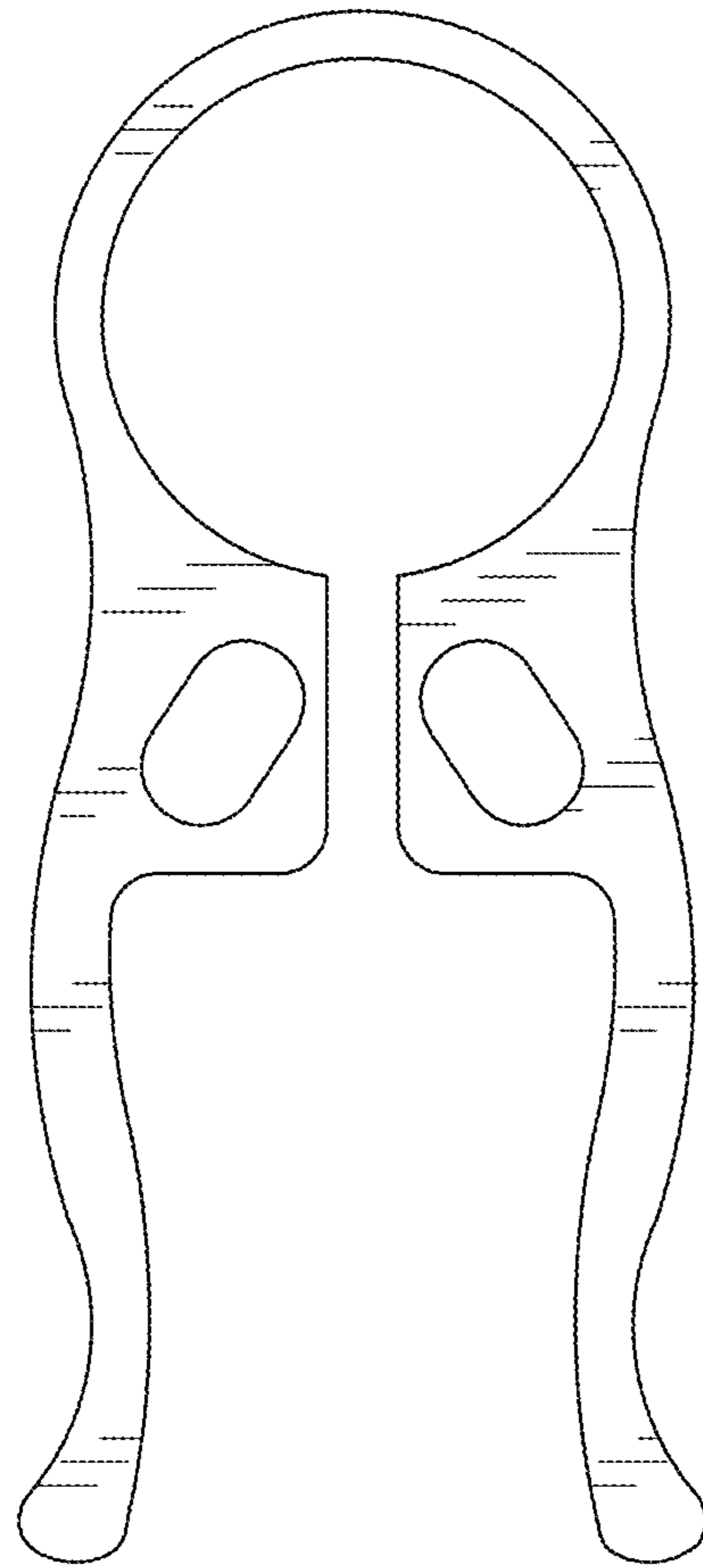


FIG. 7

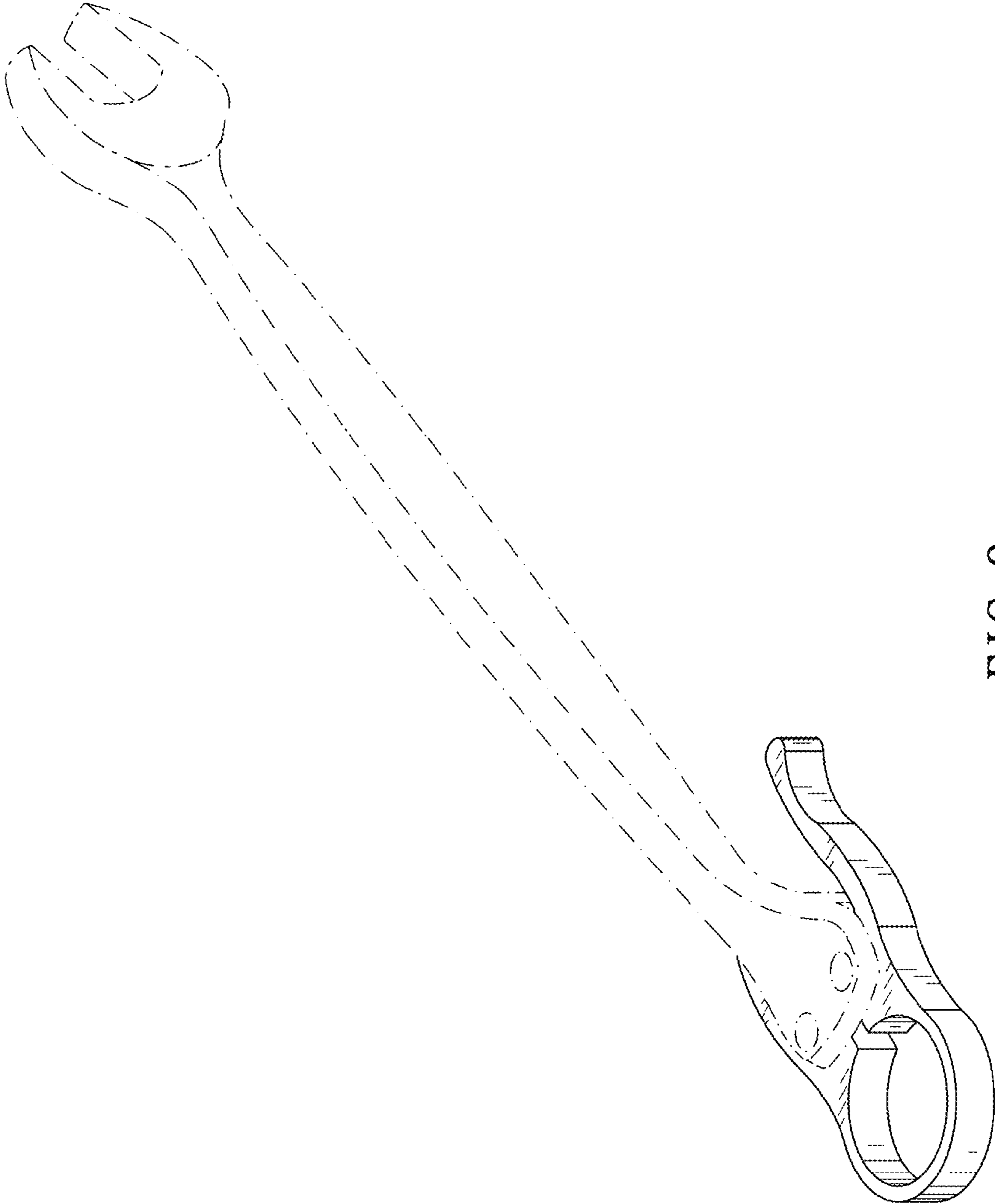


FIG. 8