



US00D682641S

(12) **United States Design Patent**
Hill

(10) **Patent No.:** **US D682,641 S**

(45) **Date of Patent:** **** May 21, 2013**

(54) **RAKE**

(76) Inventor: **Marlene Hill**, Salinas, CA (US)

(**) Term: **14 Years**

(21) Appl. No.: **29/401,126**

(22) Filed: **Sep. 7, 2011**

(51) **LOC (9) Cl.** **08-01**

(52) **U.S. Cl.**
USPC **D8/13**

(58) **Field of Classification Search** D8/13,
D8/6; 56/400.12-400.15, 400.01; 294/55.5,
294/49

See application file for complete search history.

(56) **References Cited**

U.S. PATENT DOCUMENTS

10,322 A *	12/1853	Franklin	294/55.5
D14,544 S *	1/1884	Manning	D8/13
2,891,374 A *	6/1959	Richmond	56/400.12
3,091,197 A *	5/1963	Henry	111/7.1

D233,006 S *	10/1974	Osborne	D8/13
D407,956 S *	4/1999	Withem et al.	D8/13
D442,039 S *	5/2001	Yeh	D8/13
D465,705 S *	11/2002	Hinden	D8/13
D474,948 S *	5/2003	Crites	D8/13
D652,700 S *	1/2012	Flechel et al.	D8/13

* cited by examiner

Primary Examiner — Sheryl Lane

(74) *Attorney, Agent, or Firm* — Gulf Coast Intellectual Property Group

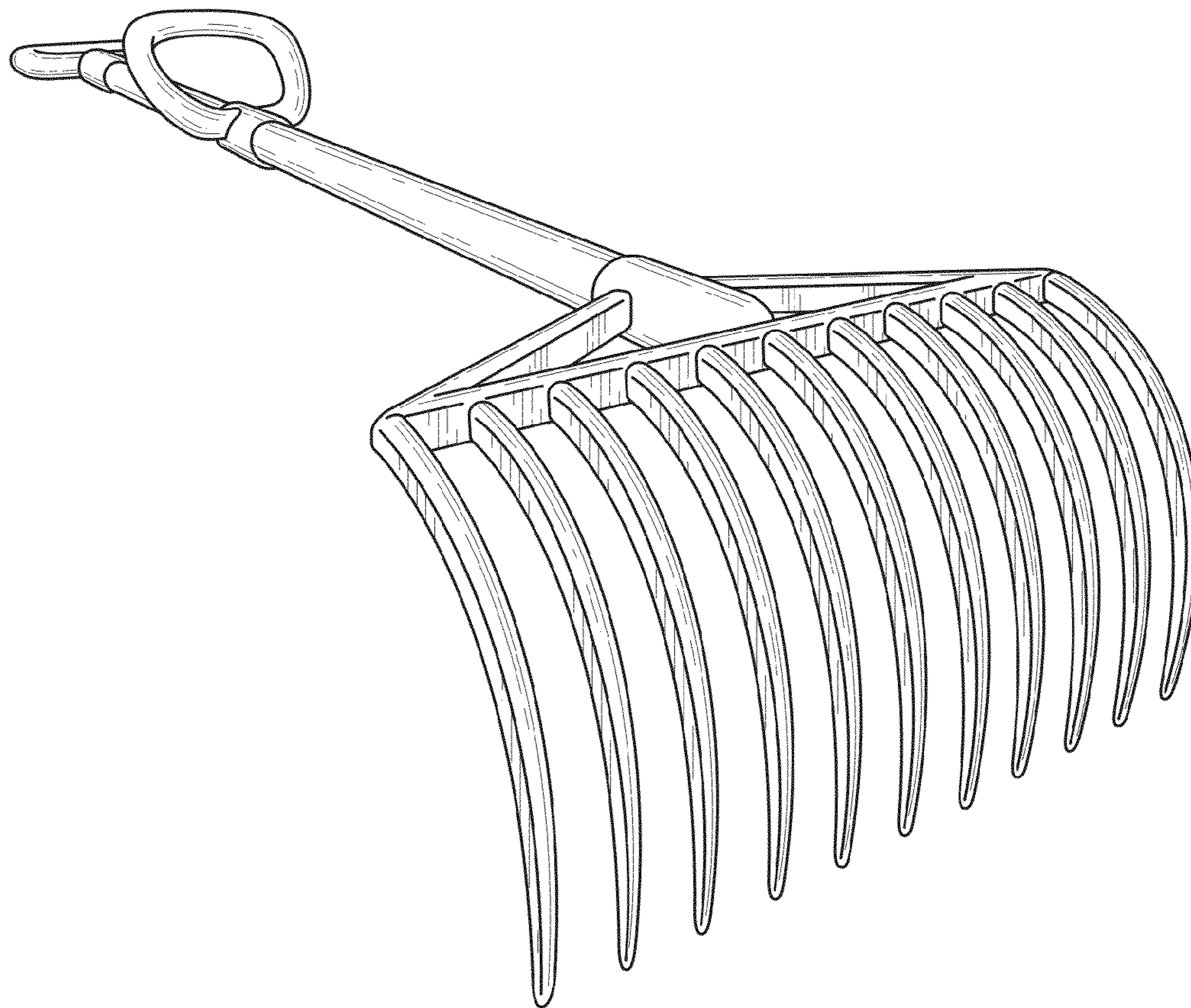
(57) **CLAIM**

The ornamental design for a rake, as shown and described.

DESCRIPTION

FIG. 1 is a top view of the present invention; and FIG. 2 is a bottom view of the present invention; and FIG. 3 is a left side view of the present invention; and FIG. 4 is a right side view of the present invention; and, FIG. 5 is a perspective view of the present invention.

1 Claim, 3 Drawing Sheets



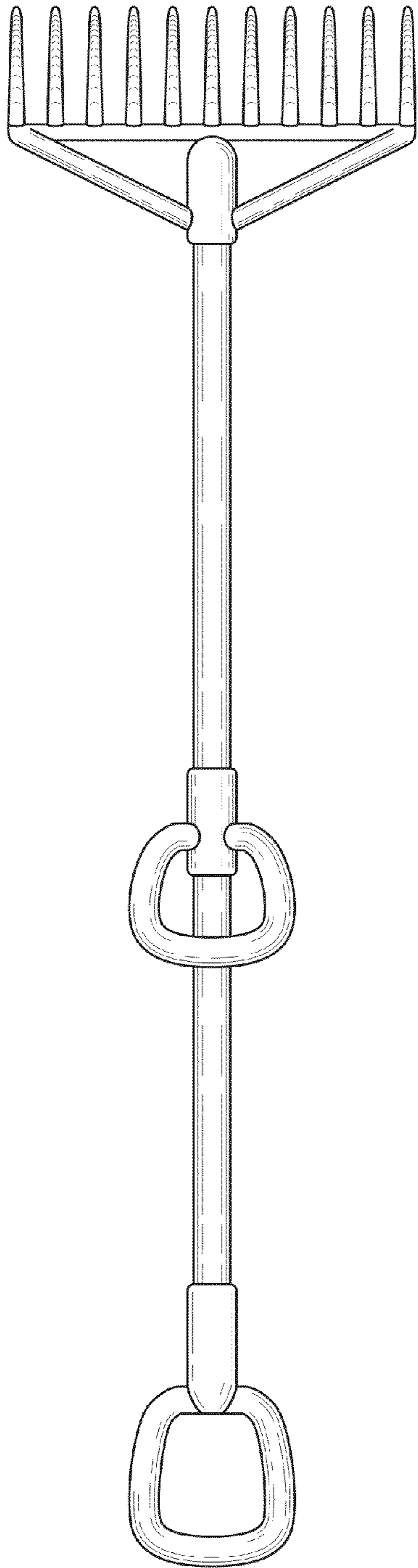


FIG. 1

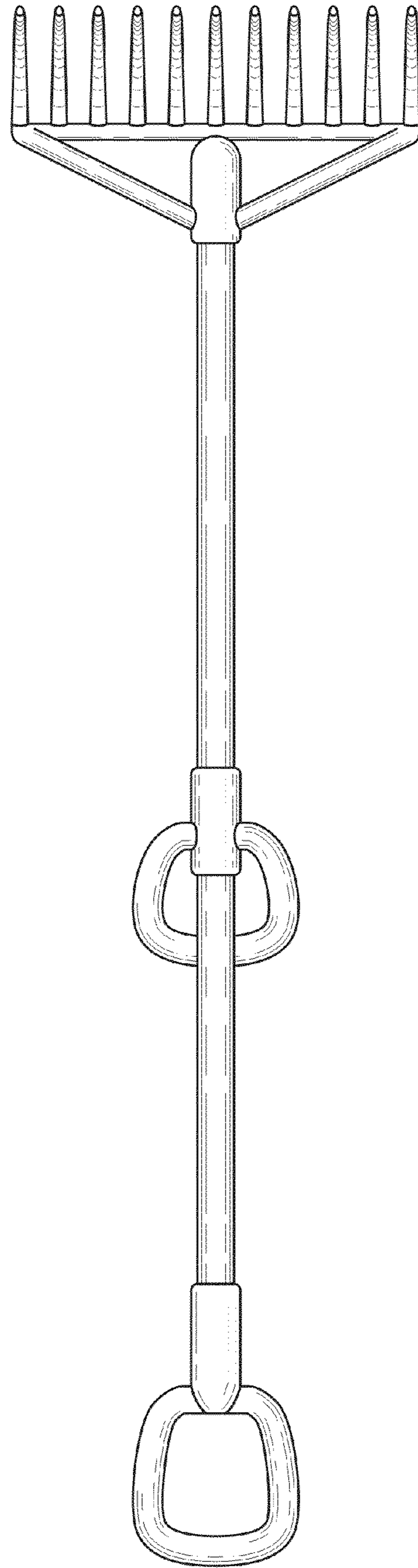


FIG. 2

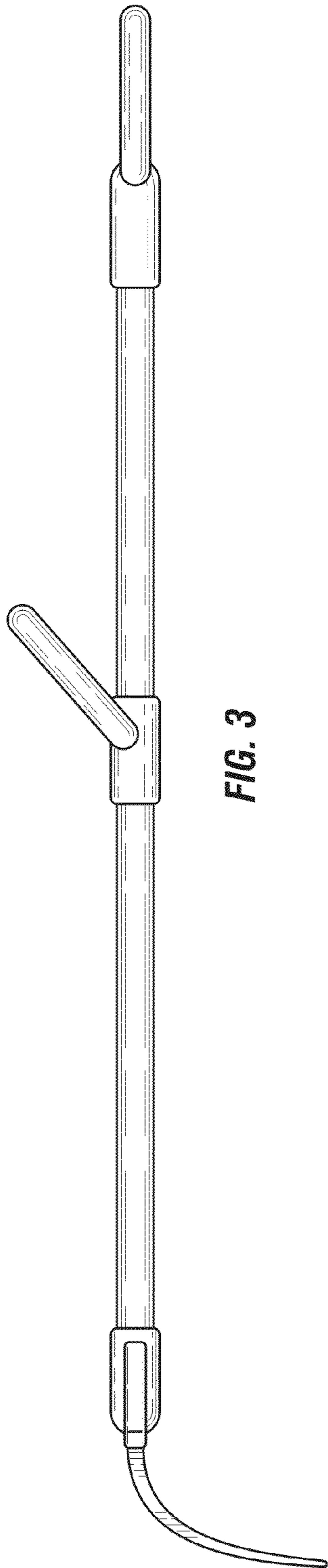


FIG. 3

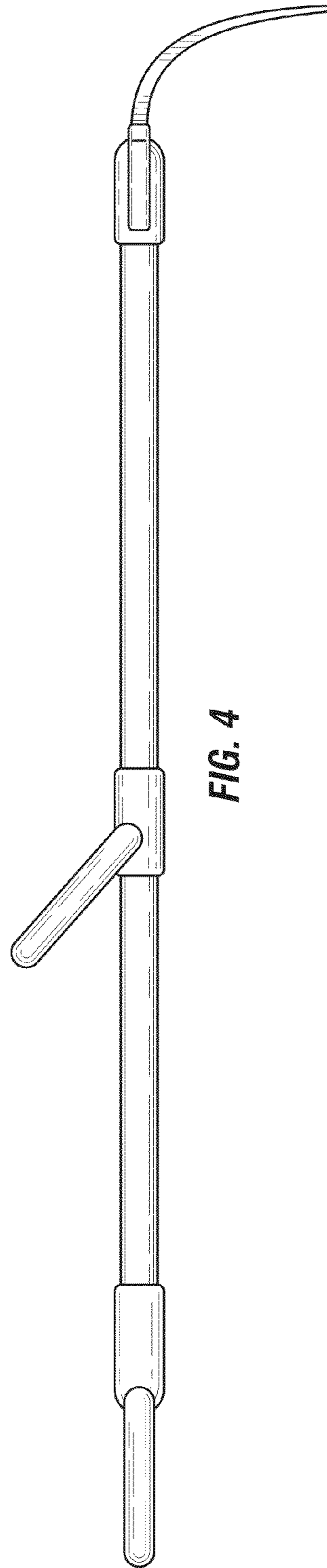


FIG. 4

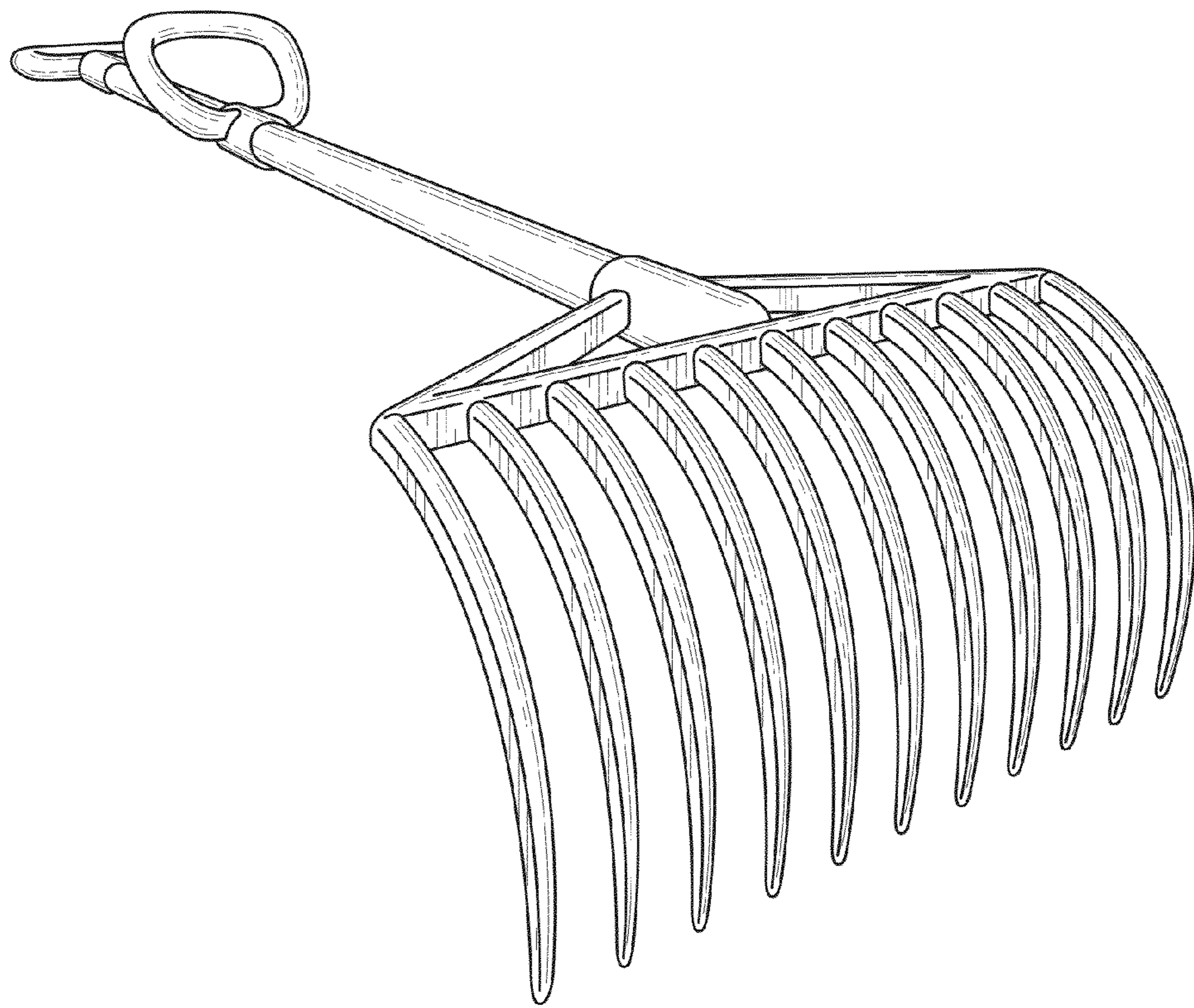


FIG. 5