



US00D682639S

(12) **United States Design Patent**
Dray

(10) **Patent No.:** **US D682,639 S**

(45) **Date of Patent:** **** May 21, 2013**

(54) **PLANT SUPPORT**

(71) Applicant: **Dasco Pro, Inc.**, Rockford, IL (US)

(72) Inventor: **Donald Dray**, Rockford, IL (US)

(73) Assignee: **Dasco Pro, Inc.**, Rockford, IL (US)

(**) Term: **14 Years**

(21) Appl. No.: **29/440,500**

(22) Filed: **Dec. 21, 2012**

(51) **LOC (9) Cl.** **08-01**

(52) **U.S. Cl.**
USPC **D8/1**

(58) **Field of Classification Search** D8/1; 47/42-47;
D25/100; D6/403
See application file for complete search history.

(56) **References Cited**

U.S. PATENT DOCUMENTS

374,906	A *	12/1887	Rovane	47/47
1,324,237	A *	12/1919	Eue	47/47
3,113,400	A *	12/1963	Emond	47/45
3,559,339	A *	2/1971	Worley	47/45
4,073,091	A *	2/1978	Vogel	47/45
4,285,163	A *	8/1981	Booker, Jr.	47/45
5,048,231	A *	9/1991	Brown	47/45
5,179,799	A *	1/1993	Hillestad	47/45
D343,101	S *	1/1994	Rappleyea et al.	D8/1
D390,759	S *	2/1998	Grady	D8/1

D403,560	S *	1/1999	Ruggiero	D8/1
D411,722	S *	6/1999	Grimes	D8/1
D413,233	S *	8/1999	Allison	D8/1
D419,405	S *	1/2000	Wagoner	D8/1
6,088,956	A	7/2000	Rocka	
D489,951	S *	5/2004	Buss	D8/1
D526,509	S *	8/2006	Glamos	D6/403
D542,611	S *	5/2007	Wilson	D8/1
D552,945	S *	10/2007	Fessak	D8/1
D564,781	S *	3/2008	Fessak	D6/405
D615,375	S *	5/2010	Haddock	D8/1
D615,831	S *	5/2010	Whitney et al.	D8/1
D658,952	S *	5/2012	Sikina	D8/1

* cited by examiner

Primary Examiner — Sheryl Lane

(74) *Attorney, Agent, or Firm* — Stoll Keenon Ogden PLLC;
Rebecca Ann Krefft

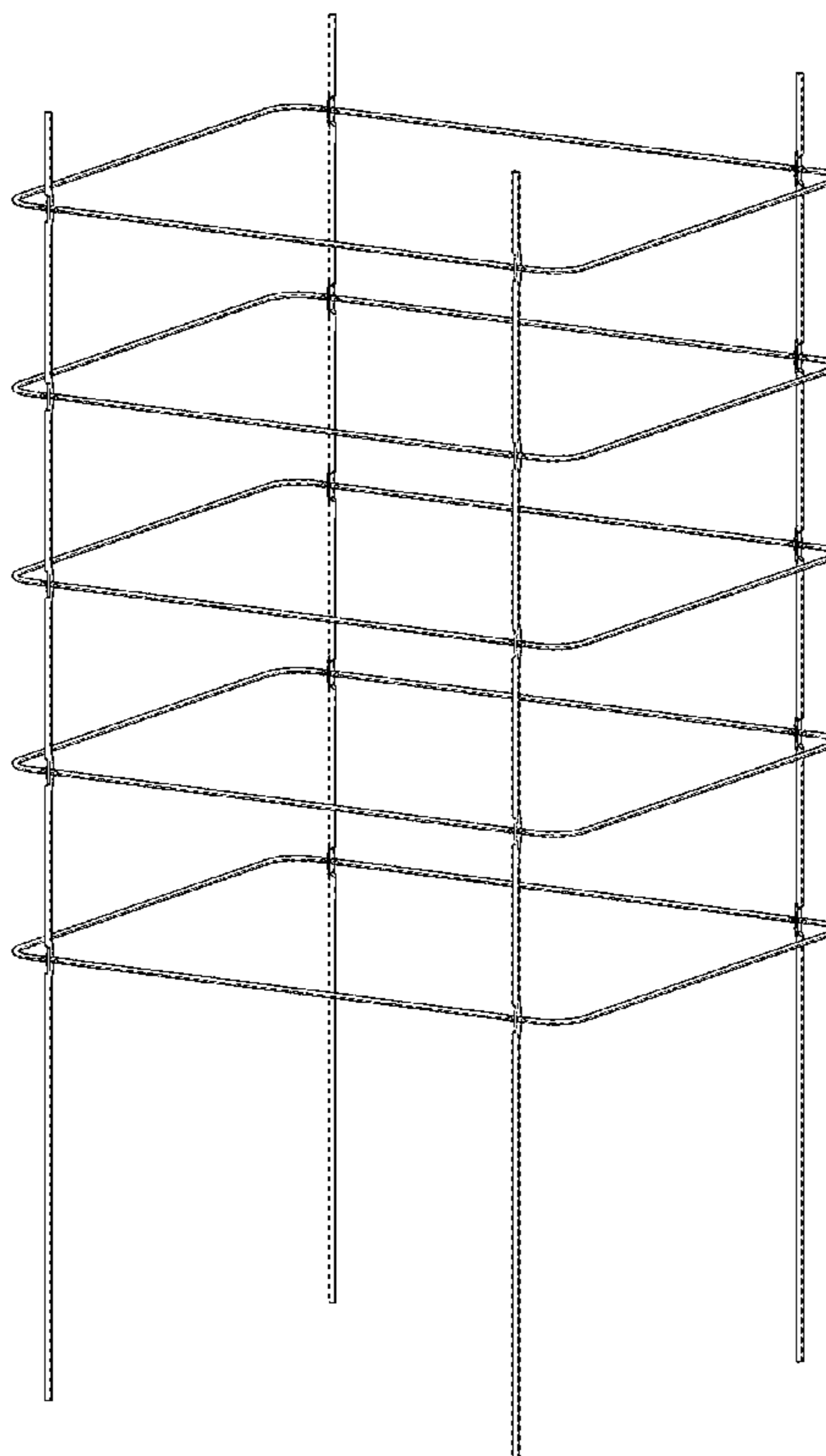
(57) **CLAIM**

The ornamental design for a plant support, as shown and described.

DESCRIPTION

FIG. 1 is a perspective view of a plant support showing my new design;
FIG. 2 is a front elevation view thereof;
FIG. 3 is a left side elevation view thereof, the right side view being a mirror image of the right side view;
FIG. 4 is a close up, partial front elevation view thereof; and,
FIG. 5 is a front elevation view thereof shown in an alternate and folded position.

1 Claim, 5 Drawing Sheets



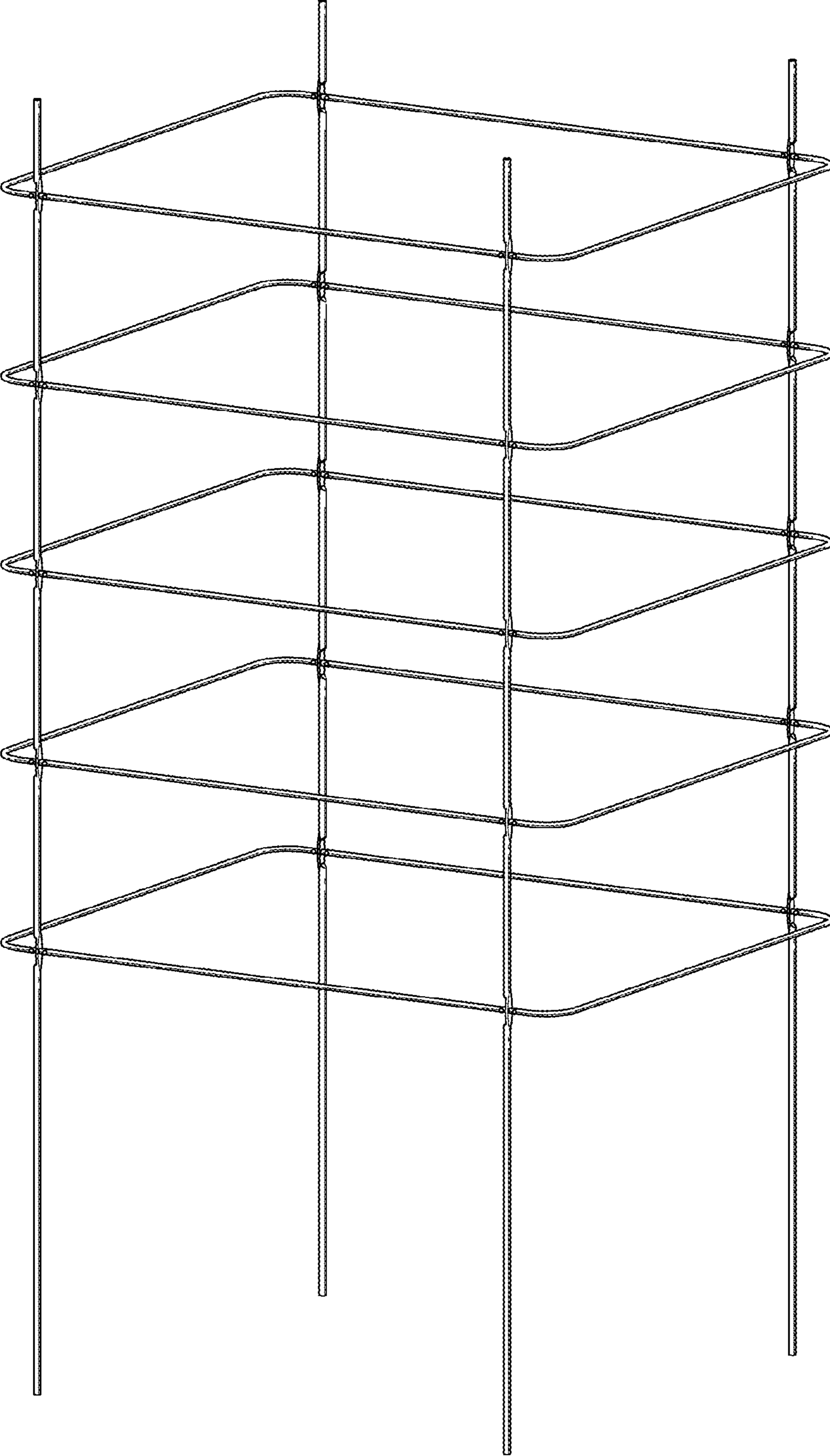


FIG. 1

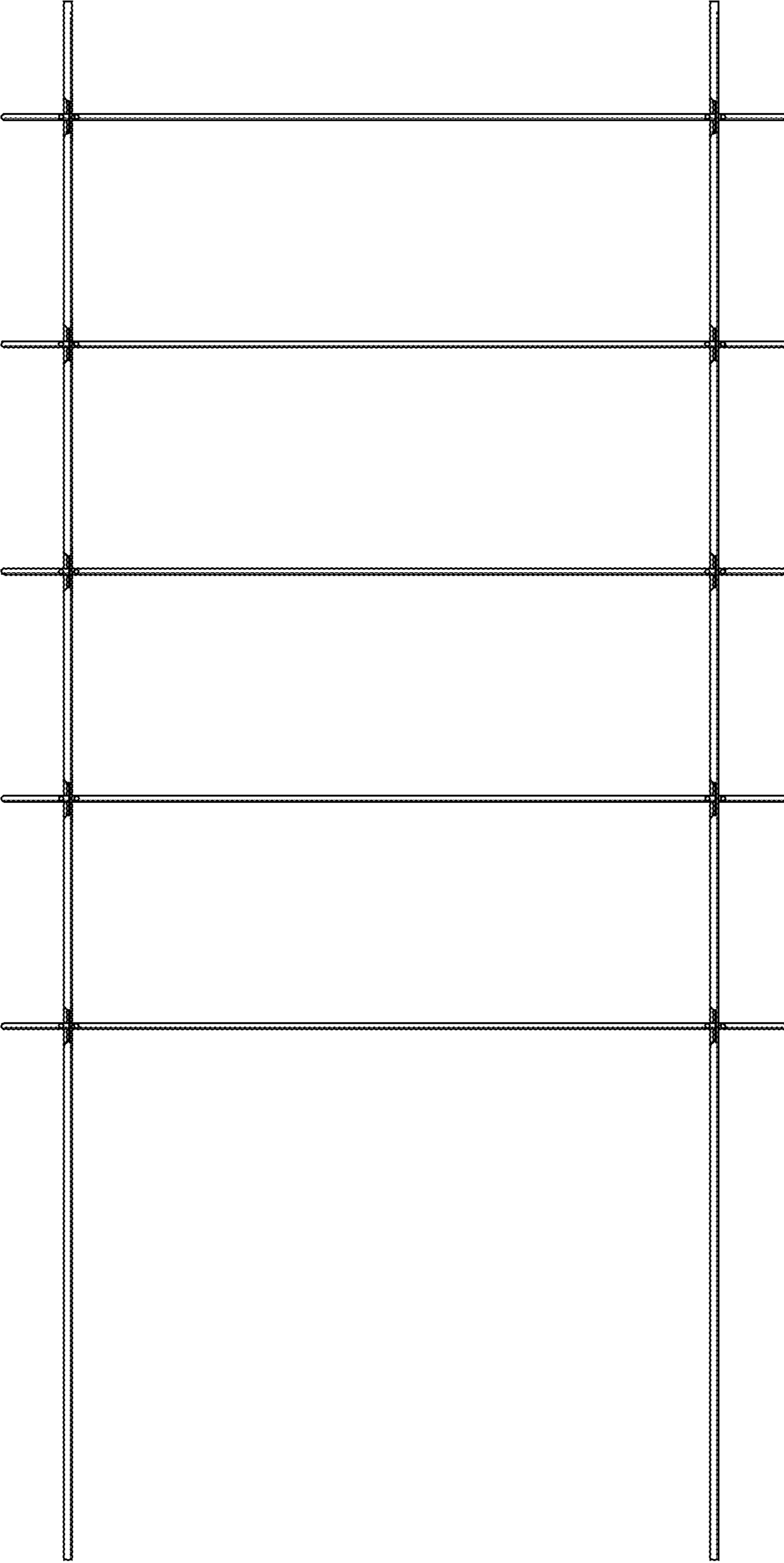


FIG. 2

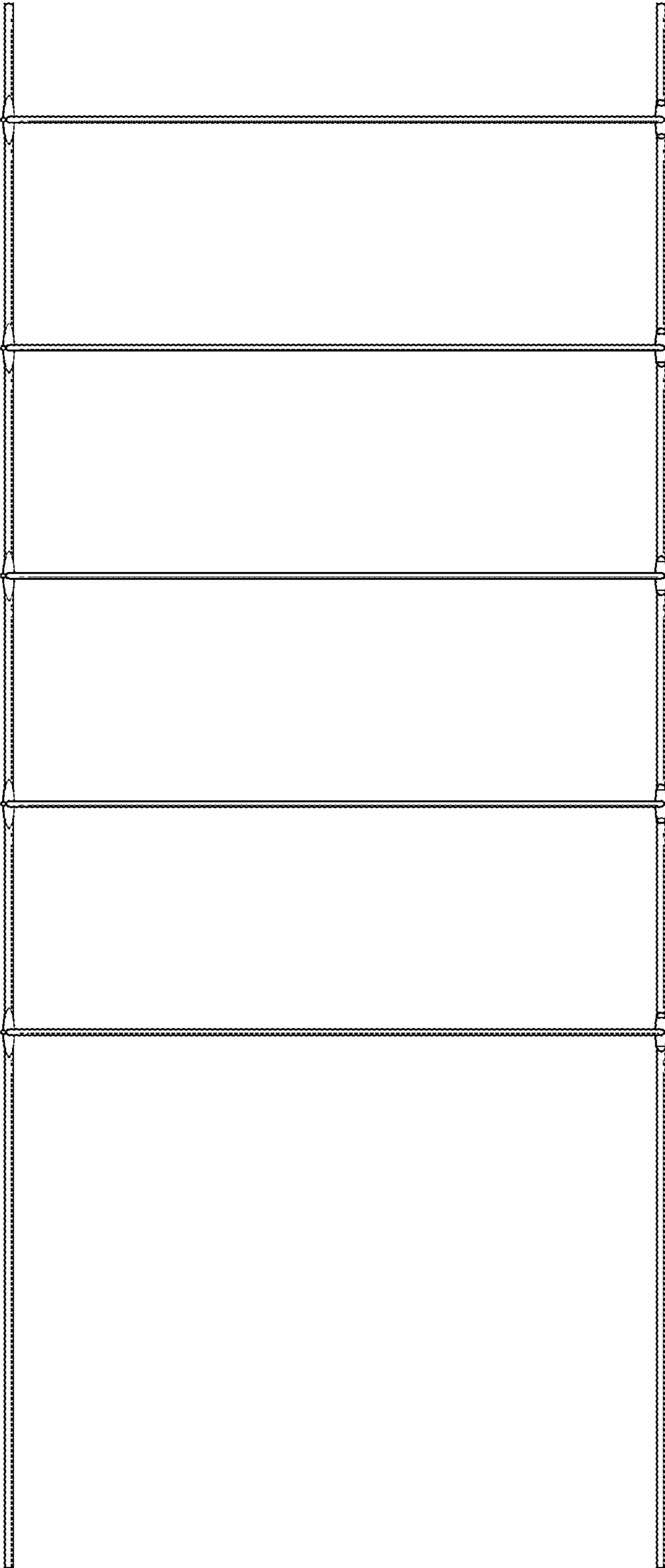


FIG. 3

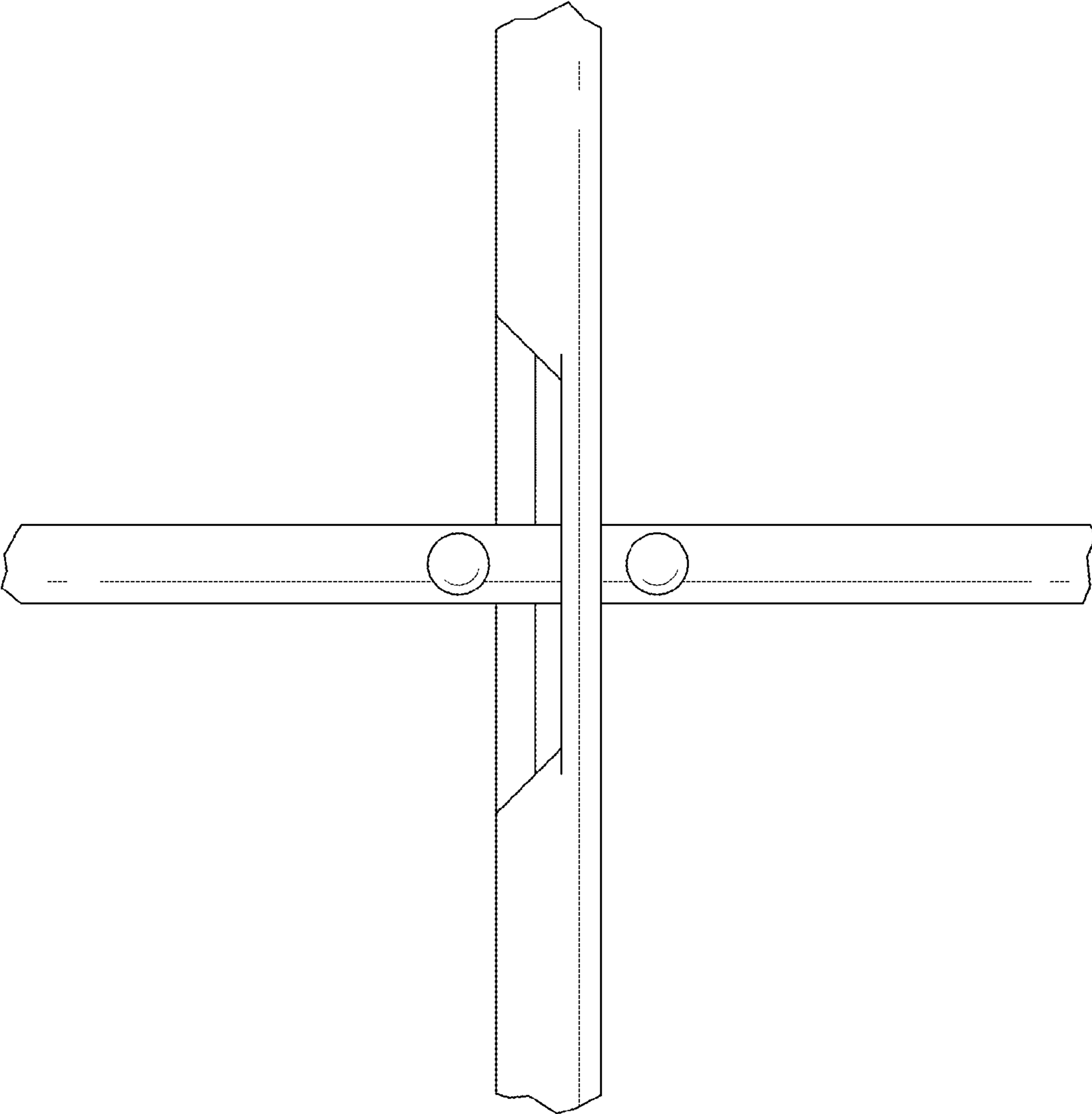


FIG. 4

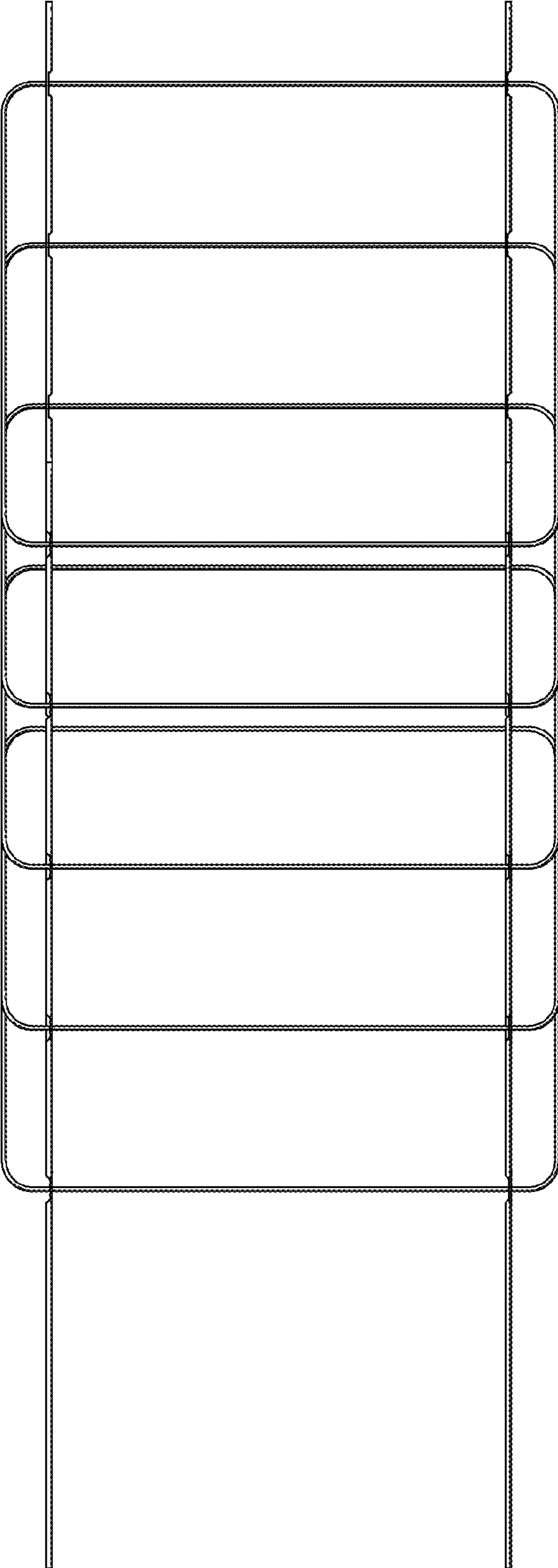


FIG. 5