



US00D682637S

(12) **United States Design Patent**  
**Licamele**

(10) **Patent No.:** **US D682,637 S**

(45) **Date of Patent:** **\*\* \*May 21, 2013**

(54) **AQUACULTURE VESSEL**  
(75) Inventor: **Jason D. Licamele**, Scottsdale, AZ (US)  
(73) Assignee: **Heliae Development, LLC**, Gilbert, AZ (US)

4,787,981 A 11/1988 Tanahashi et al.  
4,925,557 A 5/1990 Ahlberg, Jr. et al.  
D312,983 S \* 12/1990 Powell ..... D11/156  
5,014,115 A 5/1991 Moser

(Continued)

**FOREIGN PATENT DOCUMENTS**

(\*) Notice: This patent is subject to a terminal disclaimer.

CA 2 249 103 4/1999  
EP 0599711 A1 6/1994

(Continued)

(\*\*) Term: **14 Years**

**OTHER PUBLICATIONS**

(21) Appl. No.: **29/393,956**

“Algae Oil Extraction,” Diversified Technologies, Inc., Bioscience Technology, Jan. 3, 2011 New Source Web Content—US.

(22) Filed: **Jun. 10, 2011**

(Continued)

(51) **LOC (9) Cl.** ..... **08-01**

(52) **U.S. Cl.**

USPC ..... **D8/1**

(58) **Field of Classification Search** ..... D8/1; D30/101, D30/104–105; 119/228, 223, 215, 58, 61.1–61.2, 119/61.4; D6/403; D32/156, 143; 47/32.4, 47/32.5, 32.7, 41.01, 41.1, 44–47  
See application file for complete search history.

*Primary Examiner* — Sheryl Lane

(74) *Attorney, Agent, or Firm* — Tom Gallegos, Esq.; Justin Kniep, Esq.; Wilmer Cutler Pickering Hale and Dorr LLP

(57) **CLAIM**

I claim: The ornamental design for an aquaculture vessel as shown and described.

**DESCRIPTION**

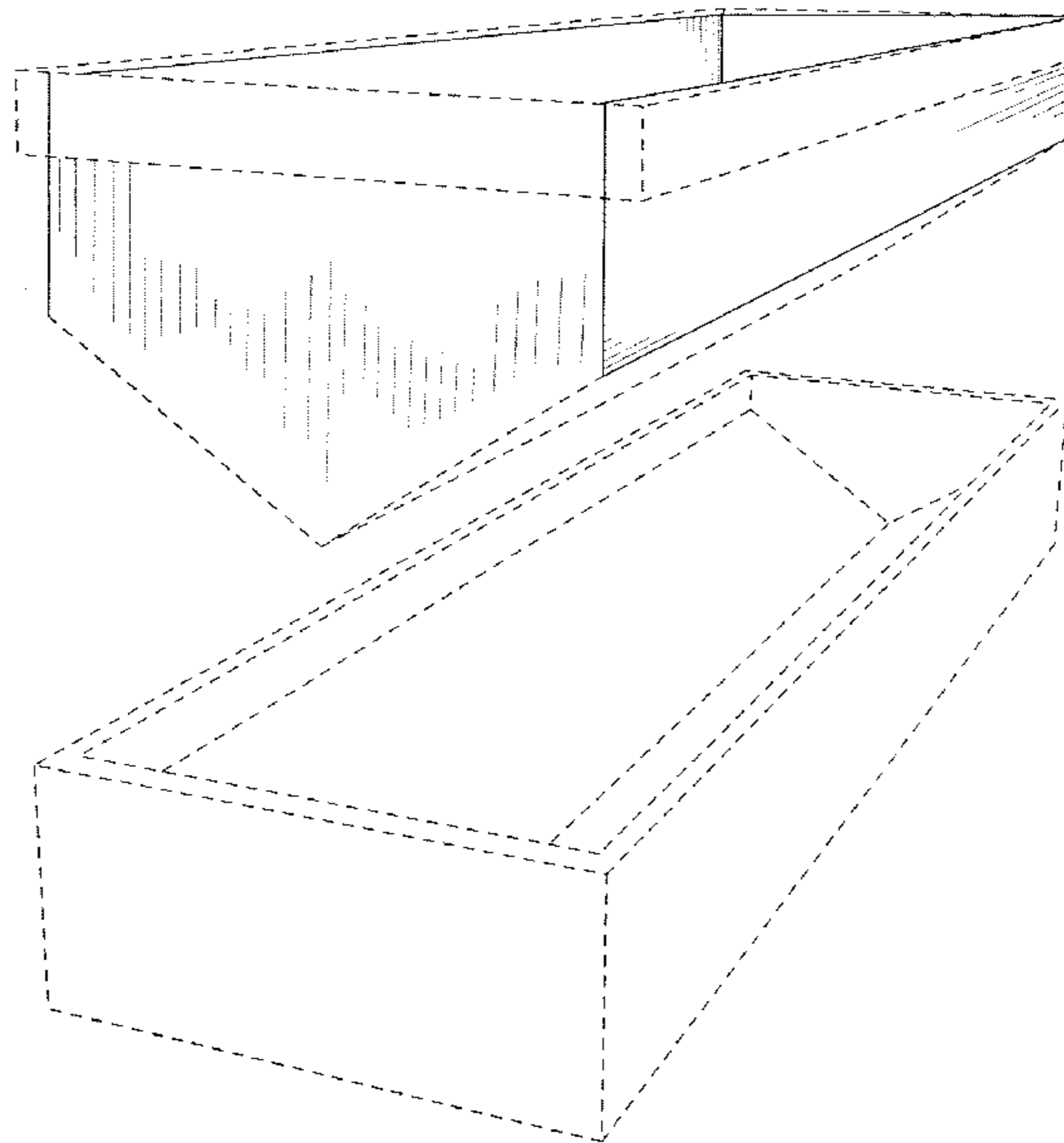
(56) **References Cited**

**U.S. PATENT DOCUMENTS**

339,694 A 4/1886 Rine et al.  
1,689,277 A 10/1928 Burns  
1,790,385 A \* 1/1931 Lorcher ..... 119/61.4  
3,850,802 A 11/1974 Berger  
3,850,807 A 11/1974 Jones  
D244,624 S \* 6/1977 Braid ..... D30/101  
4,062,882 A 12/1977 Sen Gupta  
4,190,538 A 2/1980 Chen  
D256,683 S \* 9/1980 Merritt ..... D11/156  
4,253,418 A 3/1981 Lockwood et al.  
4,264,452 A 4/1981 Chen  
D271,955 S \* 12/1983 Neil ..... D11/156  
D286,929 S \* 11/1986 Brandon ..... D32/53.1

FIG. 1 is a top view of an aquaculture vessel;  
FIG. 2 is a right side view thereof, the left side being a mirror image of the right side view;  
FIG. 3 is a front view thereof, the back being the same;  
FIG. 4 is a front top perspective cut-away view;  
FIG. 5 is a bottom view thereof; and,  
FIG. 6 is a perspective view thereof.  
FIG. 6 shows a view of the aquaculture vessel removed from its environment.  
The broken lines show environment and form no part of the claimed design.

**1 Claim, 2 Drawing Sheets**



## U.S. PATENT DOCUMENTS

5,130,242 A 7/1992 Barclay  
 5,198,111 A 3/1993 Davis  
 D338,428 S \* 8/1993 Grosfillex ..... D11/156  
 5,320,963 A 6/1994 Knaack et al.  
 5,338,673 A 8/1994 Thepenier et al.  
 5,353,745 A 10/1994 Fahs, II  
 5,374,657 A 12/1994 Kyle  
 5,440,028 A 8/1995 Buchholz et al.  
 5,447,629 A 9/1995 Chaumont et al.  
 D364,253 S \* 11/1995 Pianella ..... D32/53.1  
 5,539,133 A 7/1996 Kohn et al.  
 5,545,329 A 8/1996 LaMonica  
 5,569,383 A 10/1996 Vander Ark, Jr. et al.  
 5,658,767 A 8/1997 Kyle  
 D384,908 S \* 10/1997 Tuttle ..... D11/155  
 5,715,773 A \* 2/1998 Martelius ..... 119/223  
 5,804,072 A 9/1998 Yang  
 D403,268 S \* 12/1998 Dignam ..... D11/156  
 5,846,816 A 12/1998 Forth  
 D413,261 S \* 8/1999 Yerich ..... D9/426  
 6,024,050 A \* 2/2000 Rheault ..... 119/238  
 D424,893 S \* 5/2000 Goslin et al. .... D8/1  
 6,166,231 A 12/2000 Hoeksema  
 6,192,833 B1 2/2001 Brune et al.  
 6,245,555 B1 6/2001 Curtis  
 6,267,879 B1 7/2001 Gil  
 6,372,460 B1 4/2002 Gladue et al.  
 6,441,208 B2 8/2002 Bijl et al.  
 6,443,312 B1 9/2002 Racine  
 6,524,486 B2 2/2003 Borodyanski et al.  
 6,579,714 B1 6/2003 Hirabayashi et al.  
 6,691,642 B2 \* 2/2004 Dollahan ..... 119/58  
 6,750,048 B2 6/2004 Ruecker et al.  
 6,861,004 B2 3/2005 Benenson, Jr. et al.  
 7,001,505 B2 2/2006 Hersh  
 7,069,875 B2 \* 7/2006 Warecki ..... 119/228  
 D532,143 S \* 11/2006 Woertler ..... D26/80  
 D532,544 S 11/2006 Woertler  
 7,148,366 B2 12/2006 Cheryan  
 D561,963 S \* 2/2008 Pedros ..... D32/53.1  
 7,661,389 B2 \* 2/2010 Tuerk ..... 119/223  
 7,678,931 B2 3/2010 Fichtali et al.  
 7,690,330 B2 \* 4/2010 Miller ..... 119/228  
 7,695,626 B2 4/2010 Dueppen et al.  
 7,785,479 B1 \* 8/2010 Hosford ..... 210/786  
 7,816,570 B2 10/2010 Roberts, IV et al.  
 7,868,195 B2 1/2011 Fleischer et al.  
 D643,647 S \* 8/2011 Owen et al. .... D6/403  
 7,992,522 B2 \* 8/2011 Harrison et al. .... 119/210  
 7,997,025 B1 8/2011 Masse  
 D661,164 S 6/2012 Licamele  
 2002/0009493 A1 1/2002 Schwendeman et al.  
 2004/0131580 A1 7/2004 Hagino et al.  
 2005/0161392 A1 7/2005 Duby  
 2005/0164192 A1 7/2005 Graham et al.  
 2005/0170479 A1 8/2005 Weaver et al.  
 2006/0122410 A1 6/2006 Fichtali et al.  
 2007/0025976 A1 2/2007 Kluetz et al.  
 2008/0038290 A1 2/2008 Renimel et al.  
 2008/0118964 A1 5/2008 Huntley et al.  
 2008/0155888 A1 7/2008 Vick et al.  
 2008/0160593 A1 7/2008 Oyler  
 2008/0311649 A1 12/2008 Cloud et al.  
 2009/0029445 A1 1/2009 Eckelberry et al.  
 2009/0148918 A1 6/2009 Trimbur et al.  
 2009/0148931 A1 6/2009 Wilkerson et al.  
 2009/0162919 A1 6/2009 Radaelli et al.  
 2009/0181463 A1 7/2009 Chen  
 2009/0215155 A1 8/2009 Cloud et al.  
 2009/0234146 A1 9/2009 Cooney et al.  
 2010/0055741 A1 3/2010 Galvez, III et al.  
 2010/0068772 A1 3/2010 Downey  
 2010/0167381 A1 7/2010 Woerlee et al.  
 2010/0170149 A1 7/2010 Keeler et al.  
 2010/0233761 A1 9/2010 Czartoski et al.  
 2010/0261922 A1 10/2010 Fleischer et al.  
 2010/0317088 A1 12/2010 Radaelli et al.  
 2011/0023360 A1 2/2011 Ryan et al.

2011/0076747 A1 3/2011 Cloud et al.  
 2011/0086386 A1 4/2011 Czartoski et al.  
 2011/0124034 A1 5/2011 Kuehnle et al.  
 2011/0192073 A1 8/2011 Kale  
 2011/0192075 A1 8/2011 Kale  
 2011/0195085 A1 8/2011 Kale  
 2011/0195484 A1 8/2011 Kale  
 2011/0195485 A1 8/2011 Kale  
 2011/0196131 A1 8/2011 Kale  
 2011/0196132 A1 8/2011 Kale  
 2011/0196135 A1 8/2011 Kale  
 2011/0258920 A1 10/2011 Licamele et al.  
 2011/0258926 A1 10/2011 Bijl  
 2012/0064508 A1 3/2012 Licamele et al.

## FOREIGN PATENT DOCUMENTS

EP 1 057 833 A1 12/2000  
 EP 1 920 777 A1 5/2008  
 EP 2 030 626 A1 3/2009  
 WO WO-2006/095964 A1 9/2006  
 WO WO-2008/031092 A3 3/2008  
 WO WO-2008/060571 A2 5/2008  
 WO WO-2008/079724 A2 7/2008  
 WO WO-2008/144583 A1 11/2008  
 WO WO-2009/082696 A1 7/2009  
 WO WO-2009/158658 A2 12/2009  
 WO WO-2010/002745 A1 1/2010  
 WO WO-2010/017002 A1 2/2010  
 WO WO-2010/036334 A1 4/2010  
 WO WO-2010/120939 A2 10/2010  
 WO WO-2010/123903 A1 10/2010  
 WO WO-2010/132414 A1 11/2010  
 WO WO-2010/138571 A1 12/2010  
 WO WO-2010/138620 A1 12/2010  
 WO WO-2010/151606 A1 12/2010  
 WO WO-2011/036517 A1 3/2011  
 WO WO-2011/050472 A1 5/2011  
 WO WO-2011/078773 A1 6/2011

## OTHER PUBLICATIONS

Abu-Rezq, T.S. et al. "Optimum production conditions for different high-quality marine algae," *Hydrobiologia*, 403: 97-107, 1999.  
 Agboola, S. et al., "Characterisation and functional properties of Australian rice protein isolates," *Journal of Cereal Science* 41 (2005) 283-290.  
 Amin, S. "Review on biofuel oil and gas production processes from microalgae," *Energy Conversion and Management* 50 (2009) 1834-1840.  
 Barbosa, M.J.G.V. "Microalgal photobioreactors: Scale-up and optimisation," Ph.D. Thesis, Wageningen University, Wageningen, The Netherlands, 2003.  
 Berberoglu, H. et al., Radiation characteristics of *Chlamydomonas reinhardtii* CC125 and its truncated chlorophyll antenna transformants *tlal*, *tlax* and *tlal-CW<sup>+</sup>* *International Journal of Hydrogen Energy* 33 (2008) 6467-6483.  
 Bitog, J.P. et al., "Application of computational fluid dynamics for modeling and designing photobioreactors for microalgae production: A review," *Computers and Electronics in Agriculture* 76 (2011) 131-147.  
 Bligh, E.G. et al., "A Rapid Method of Total Lipid Extraction and Purification," *Canadian Journal of Biochemistry and Physiology*, vol. 37, Aug. 1959, No. 8, pp. 911-917.  
 Borowitzka, M.A. "Commercial production of microalgae: ponds, tanks, tubes and ferments," *Journal of Biotechnology* 70 (1999) 313-321.  
 Bosma, R. et al. "Ultrasound, a new separation technique to harvest microalgae," *Journal of Applied Phycology* 15: 143-153, 2003.  
 Brennan, L. et al., "Biofuels from microalgae—A review of technologies for production, processing, and extractions of biofuels and co-products," *Renewable and Sustainable Energy Reviews* 14 (2010) 557-577.  
 Camacho, F.G. et al., "Photobioreactor scale-up for a shear-sensitive dinoflagellate microalga," *Process Biochemistry* 46 (2011) 936-944.

- Catchpole, O.J. et al. "The extraction and fractionation of specialty lipids using near critical fluids," *J. of Supercritical Fluids* 47 (2009) 591-597.
- Chisti, M.Y. et al., "Gas Holdup in Pneumatic Reactors," *The Chemical Engineering Journal*, 38 (1988) 149-152.
- Chisti, Y. "Biodiesel from microalgae," *Biotechnology Advances* 25 (2007) 294-306.
- Christie, W.W., *Lipid Analysis*, 3rd ed., Oily Press, Bridgewater, UK, 2003, pp. 97-102.
- Communication Relating to the Results of the Partial International Search for corresponding International Patent Application No. PCT/US2011/031412 mailed Aug. 9, 2011.
- International Search Report and Written Opinion for International Patent Application No. PCT/US2011/031404 mailed Aug. 3, 2011.
- International Search Report and Written Opinion for International Patent Application No. PCT/US2011/031407 mailed Aug. 9, 2011.
- International Search Report and Written Opinion for International Patent Application No. PCT/US2011/031408 mailed Aug. 9, 2011.
- International Search Report and Written Opinion for International Patent Application No. PCT/US2011/031414 mailed Aug. 5, 2011.
- International Search Report and Written Opinion for International Patent Application No. PCT/US2011/031417 mailed Aug. 3, 2011.
- International Search Report and Written Opinion for International Patent Application No. PCT/US2011/031419 mailed Sep. 5, 2011.
- International Search Report and Written Opinion for International Patent Application No. PCT/US2011/031421 mailed Aug. 3, 2011.
- U.S. Appl. No. 13/116,602, filed May 26, 2011.
- U.S. Appl. No. 13/116,610, filed May 26, 2011.
- U.S. Appl. No. 13/149,463, filed May 31, 2011.
- U.S. Appl. No. 13/149,524, filed May 31, 2011.
- U.S. Appl. No. 13/149,531, filed May 31, 2011.
- U.S. Appl. No. 13/149,595, filed May 31, 2011.
- U.S. Appl. No. 13/249,426, filed Sep. 30, 2011.
- Csogor, Z. et al., "Light distribution in a novel photobioreactor—modelling for optimization," *Journal of Applied Phycology* 13: 325-333, 2001.
- Daigger, G.T. et al., "Are Membrane Bioreactors Ready for Widespread Application?" *Environmental Science & Technology*, Oct. 1, 2005, pp. 399A-406A.
- Database WPI, Week 200326, Thomson Scientific, London, GB; AN 2003-259841 & JP 2002 220402 A (Oriental Bio KK) Aug. 9, 2002, abstract.
- de Moraes Coutinho, C. et al., "State of art of the application of membrane technology to vegetable oils: A review," *Food Research International* 42 (2009) 536-550.
- Doucha, J. et al., "Outdoor open thin-layer microalgal photobioreactor: potential productivity," *J. Appl. Phycol* (2009) 21:111-117.
- Fabregas, J. et al., "The cell composition of *Nannochloropsis* sp. changes under different irradiances in semicontinuous culture," *World Journal of Microbiology & Biotechnology* 20, 31-35, 2004.
- Forjan, E. et al., "Enhancement of carotenoid production in *Nannochloropsis* by phosphate and sulphur limitation," *Communicating Current Research and Educational Topics and Trends in Applied Microbiology*, A. Mendez-Vilas (Ed.), 2007, 356-364.
- Ghosh, T.K. et al., "Effect of Fractional Gas hold-up ( $\epsilon G$ ) on Volumetric Mass Transfer Coefficient (KLa) in Modified Airlift Contactor," *International Journal of Advanced Science and Technology*, vol. 16, Mar. 2010, 21-30.
- Grima, E.M. et al., "Recovery of microalgal biomass and metabolites: process options and economics," *Biotechnology Advances* 20 (2003) 491-515.
- Grobbelaar, J.U. "Physiological and technological considerations for optimising mass algal cultures," *Journal of Applied Phycology*, 12: 201-206, 2000.
- Grobbelaar, J.U. et al., "Use of photoacclimation in the design of a novel photobioreactor to achieve high yields in algal mass cultivation," *Journal of Applied Phycology* 15: 121-126, 2003.
- Harun, R. et al., "Bioprocess engineering of microalgae to produce a variety of consumer products," *Renewable and Sustainable Energy Reviews* 14 (2010) 1037-1047.
- Hegde, A. "Development of a Biomass Transducer for Automated Microalgal Bioreactors," A Thesis Submitted to the Graduate Faculty of the Louisiana State University and Agricultural and Mechanical College in partial fulfillment of the requirements for the degree of Master of Science in Engineering Science in The Department of Civil and Environment Engineering, May 2007.
- Hejazi, M.A. et al., "Milking of microalgae," *Trends in Biotechnology* vol. 22, No. 4, Apr. 2004, pp. 189-194.
- Herfindal, L. et al., "A high proportion of Baltic Sea benthic cyanobacterial isolates contain apoptogens able to induce rapid death of isolated rat hepatocytes," *Toxicol* 46 (2005) 252-260.
- Herrero, M. et al., "Sub- and supercritical fluid extraction of functional ingredients from different natural sources: Plants, food-by-products, algae and microalgae—A Review," *Food Chemistry* 98 (2006) 136-148.
- Hsieh, C.H. et al., "A novel photobioreactor with transparent rectangular chambers for cultivation of microalgae," *Biochemical Engineering Journal* 46 (2009) 300-305.
- Huang, G. et al., "Biodiesel production by microalgal biotechnology," *Applied Energy* 87 (2010) 38-46.
- Huang, G. et al., "Rapid screening method for lipid production in alga based on Nile red fluorescence," *Biomass and Bioenergy* 33 (2009) 1386-1392.
- Hulatt, C.J. et al., "Energy efficiency of an outdoor microalgal photobioreactor sited at mid-temperate latitude," *Bioresource Technology* 102 (2011) 6687-6695.
- Jacob-Lopes, E. et al., "Effect of light cycles (night/day) on CO<sub>2</sub> fixation and biomass production by microalgae in photobioreactors," *Chemical Engineering and Processing* 48 (2009) 306-310.
- James, S.C. et al., "Modeling Algae Growth in an Open-Channel Raceway," *Journal of Computational Biology*, vol. 17, No. 7, 2010, pp. 895-906.
- Ju, Z.Y. et al., "Extraction, Denaturation and Hydrophobic Properties of Rice Flour Proteins," *Journal of Food Science*, vol. 66, No. 2, 2001, pp. 229-232.
- Knuckey, R.M. et al., "Production of microalgal concentrates by flocculation and their assessment as aquaculture feeds," *Aquacultural Engineering* 35 (2006) 300-313.
- Kommareddy, A. et al., "Study of Light as a parameter in the growth of algae in a Photo-Bio Reactor (PBR)," Written for presentation at the 2003 ASAE Annual International Meeting Sponsored by ASAE, Riviera Hotel and Convention Center, Las Vegas, NV, USA, Jul. 27-30, 2003.
- Koris, A. et al., "Dry degumming of vegetable oils by membrane filtration," *Desalination* 148 (2002) 149-153.
- Kumari, P. et al., "Tropical marine macroalgae as potential sources of nutritionally important PUFAs," *Food Chemistry* 120 (2010) 749-757.
- Lee, M. et al., "Isolation and Characterization of a Xanthophyll Aberrant Mutant of the Green Alga *Nannochloropsis oculata*," *Marine Biotechnology*, 2006, pp. 238-245.
- Lee, Y.K. "Microalgal mass culture systems and methods: Their limitation and potential," *Journal of Applied Phycology* 13: 307-315, 2011.
- Maor, T. et al., "Horizontal Tubular Microalgae Photobioreactor Plant View Factors and Diffuse Radiation," *Journal of Solar Energy Engineering*, May 2011, vol. 133, 024503-1-7.
- Maor, T. et al., "Solar Radiation on Horizontal Tubular Microalgae Photobioreactor: Direct Beam Radiation," *Journal of Solar Energy Engineering*, May 2011, vol. 133, 024502-1-5.
- Marxen, K. et al., "A photobioreactor system for computer controlled cultivation of microalgae," *Journal of Applied Phycology* (2005) 17: 535-549.
- Mata, T.M. et al., "Microalgae for biodiesel production and other applications: A review," *Renewable and Sustainable Energy Reviews* 14 (2010) 217-232.
- Mata, Teresa M. et al., "Microalgae for biodiesel production and other applications: A review," *Renewable and Sustainable Energy Reviews* (2009), 16 pages.
- Mercer, P. et al., "Developments in oil extraction from microalgae," *Eur. J. Lipid Sci. Technol.* 2011, 113, 539-547.
- Pal, D. et al., "The effect of light, salinity, and nitrogen availability on lipid production by *Nannochloropsis* sp.," *Appl. Microbiol Biotechnol* (2011) 90:1429-1441.

- Picture located at <http://www.univervegroup.com/image/process5.jpg>; website last updated Oct. 10, 2010; first downloaded on May 17, 2011.
- Plaza, M. et al., "Screening for bioactive compounds from algae," *Journal of Pharmaceuticals and Biomedical Analysis* 51 (2010) 450-455.
- Ramirez, A. et al., "Lipid extraction from the microalga *Phaeodactylum tricorutum*," *Eur. J. Lipid. Technol.* 109 (2007) 120-126.
- Ranjbar, R. et al., "High Efficiency Production of Astaxanthin in an Airlift Photobioreactor," *Journal of Bioscience and Bioengineering*, vol. 106, No. 2, 204-207, 2008.
- Raynie, D.E., "Modern Extraction Techniques," *Anal. Chem.* 2006, 78, 3997-4003.
- Reyna-Velarde, R. et al., "Hydrodynamic and mass transfer characterization of a flat-panel airlift photobioreactor with high light path," *Chemical Engineering and Processing: Process Intensification*, *Chemical Engineering and Processing* 49 (2010) 97-103.
- Rhodes, C.J. "Oil from algae; salvation from peak oil?" *Science Progress* (2009), 92(1), 39-90.
- Rittmann, B.E. "Opportunities for Renewable Bioenergy Using Microorganisms," *Biotechnology and Bioengineering*, vol. 100, No. 2, Jun. 1, 2008, pp. 203-212.
- Rocha, J.M.S. et al., "Growth aspects of the marine microalga *Nannochloropsis gaditana*," *Biomolecular Engineering* 20 (2003) 237-242.
- Rossignol, N. et al., "Membrane technology for the continuous separation microalgae/culture medium: compared performances of cross-flow microfiltration and ultrafiltration," *Aquacultural Engineering* 20 (1999) 191-208.
- Rusch, K.A. et al., "The hydraulically integrated serial turbidostat algal reactor (HISTAR) for microalgal production," *Aquacultural Engineering* 27 (2003) 249-264.
- Sato, T. et al., "Development of virtual photobioreactor for microalgae culture considering turbulent flow and flashing light effect," *Energy Conversion and Management* 51 (2010) 1196-1201.
- Sato, T. et al., "Invention of outdoor closed type photobioreactor for microalgae," *Energy Conversion and Management* 47 (2006) 791-799.
- Schaper, R. et al., "Temperature Effects on the Gas Hold-Up in Agitated Vessels," 2002, pp. 1-9.
- Sierra, E. et al., "Characterization of a flat plate photobioreactor for the production of microalgae," *Chemical Engineering Journal* 138 (2008) 136-147.
- Slegers, P.M. et al., "Design scenarios for flat panel photobioreactors," *Applied Energy* 88 (2011) 3342-3353.
- Spolaore, P. et al. "Commercial Applications of Microalgae," *Journal of Bioscience and Bioengineering*, vol. 101, No. 2, 87-96, 2006.
- Steinitz, Y. et al., "A Mutant of the Cyanobacterium *Plectonema Boryanum* Resistant to Photooxidation," *Plant Science Letters*, vol. 16, Issues 2-3, p. 327-335, Oct. 1979.
- Su, Z. et al. "Study on the destabilization mixing in the flat plate photobioreactor by means of CFD," *Biomass and Bioenergy* 34 (2010) 1879-1884.
- Tamburic, B. et al., "Design of a novel flat-plate photobioreactor system for green algal hydrogen production," *International Journal of Hydrogen Energy* 36 (2011) 6578-6591.
- Uduman, N. et al. "Dewatering of microalgal cultures: A major bottleneck to algae-based fuels," *Journal of Renewable and Sustainable Energy* 2, 2010, 012701-1-012701-15.
- Uduman, N. et al., "Marine microalgae flocculation and focused beam reflectance measurement," *Chemical Engineering Journal* 162 (2010) 935-940.
- Ugwu, C.U. et al., "Photobioreactors for mass cultivation of algae," *Bioresource Technology* 99 (2008) 4021-4028.
- Voorhees, K.J. et al., "Analysis of Insoluble Carbonaceous Materials from Airborne Particles Collected in Pristine Region of Colorado," *Journal of Analytical and Applied Pyrolysis*, 18 (1991) 189-205.
- Wachowicz, M. et al. "The protein of the alga *Spirulina platensis*. (translated)." Database FSTA [Online] International Food Information Service (IFIS), Frankfurt-Main, DE; 1974.
- Webvitamins (2011, updated) "Globulin Protein Concentrate", [www.webvitamins.com/Nutrient.aspx?id=2007](http://www.webvitamins.com/Nutrient.aspx?id=2007), p. 1.
- Weyer, K.M. et al., "Theoretical Maximum Algal Oil Production," *Bioenerg. Res.* (2010) 3:204-213.
- Wu, X. et al., "Simulation of algae growth in a bench scale internal loop airlift reactor," *Chemical Engineering Science* 59 (2004) 2899-2912.
- Zhang, C. et al. "Performance of a groove-type photobioreactor for hydrogen production by immobilized photosynthetic bacteria," *International Journal of Hydrogen Energy* 35 (2010) 5284-5292.
- Zhu, C.J. et al. "Determination of biomass dry weight of marine microalgae," *Journal of Applied Phycology* 9:189-194, 1997.
- Zhu, Y.H. et al., "Continuous cultivation of *Dunaliella salina* in photobioreactor for the production of  $\beta$ -carotene," *Eur Food Res Technol* (2008) 227:953-959.
- Zijffers, J.W.F. et al., "Maximum Photosynthetic Yield of Green Microalgae in Photobioreactors," *Mar Biotechnol* (2010) 12:708-718.
- Zimmerman, W.B. et al., "Design of an airlift loop bioreactor and pilot scales studies with fluidic oscillator induced microbubbles for growth of a microalgae *Dunaliella salina*," *Applied Energy* 88 (2011) 3357-3369.
- Zittelli, G.C. et al., "A Modular Flat Panel Photobioreactor (MFPP) for indoor mass cultivation of *Nannochloropsis*," *Journal of Applied Phycology* 12: 521-526, 2000.
- Benson, B.C. et al., "Optimization of the lighting system for a Hydraulically Integrated Serial Turbidostat Algal Reactor (HISTAR): Economic implications," *Aquacultural Engineering* 40 (2009) 45-53.
- Benson, B.C. et al., "Optimization of the lighting system for a Hydraulically Integrated Serial Turbidostat Algal Reactor (HISTAR): Economic implications," *Aquacultural Engineering* 40 (2009), pp. 45-53.
- "Cultivation of Algae in Photobioreactor," *Oilgae*, Oct. 2011, retrieved from <http://www.oilgae.com/algae/cult/pbr/pbr.html> on Nov. 9, 2011, No Author, 11 pages.
- "Industrial Photobioreactor for Microalgae and Photosynthetic Bacteria Massive Cultivation," *M2M Engineering*, Oct. 2011, retrieved from [http://www.m2mengineering.it/index.php?option=com\\_content&view=article&id=47%3Aafotobioreattori-per-culture-massive&catid=51%3Aafotobioreattori-industriali&Itemid=77&lang=en](http://www.m2mengineering.it/index.php?option=com_content&view=article&id=47%3Aafotobioreattori-per-culture-massive&catid=51%3Aafotobioreattori-industriali&Itemid=77&lang=en), No Author, 4 pages.
- "Monitor, Analyze, and Protect the World's Natural Resources," *YSI*, Nov. 2011, retrieved from <http://www.ysi.com/parameters.php>, No Author, 2 pages.
- Culturing Solutions, Inc., "Continuous Algae Production," *Phyta-Platform*, 2011, 3 pages, retrieved from <http://www.culturingsolutions.com/Phyta-Platform.html> on Oct. 18, 2011, No Author.
- Rittmann, B.E. et al., *Environmental Biotechnology: Principles and Applications*. McGraw-Hill Book Co., New York, 2001, pp. 24-34, 45, 57, pp. 353-378.
- Sandnes, et al., "Real-time Monitoring and Automatic Density Control of Large-Scale Microalgal Cultures Using Near Infrared (NIR) Optical Density Sensors," *Journal of Biotechnology* 122, 2006, pp. 209-215.

\* cited by examiner

FIG. 1

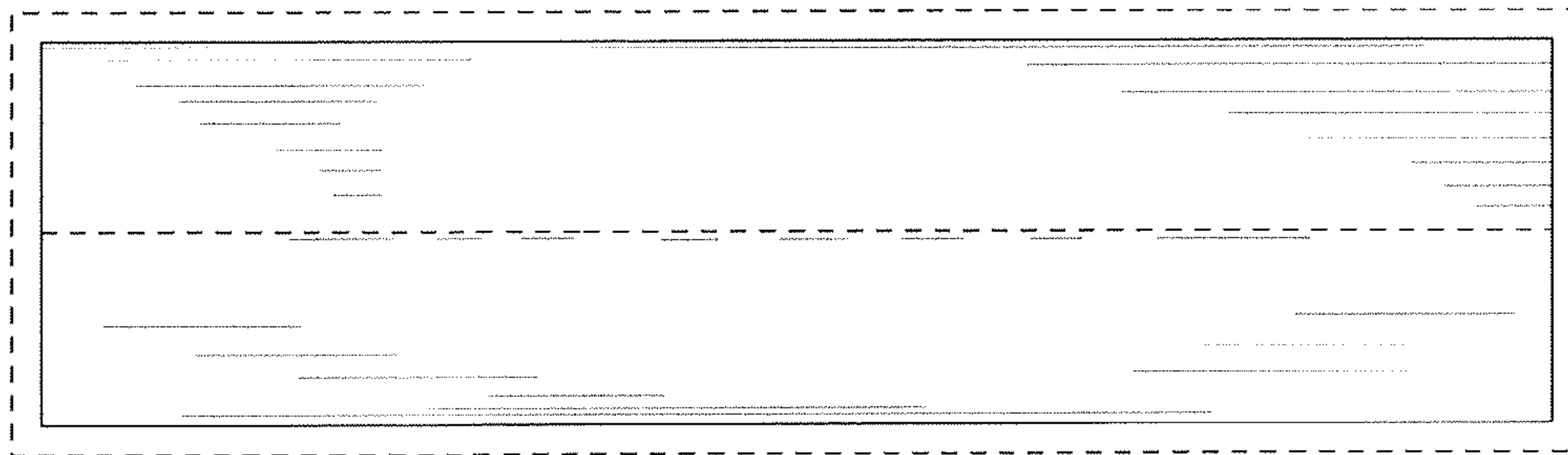


FIG. 2

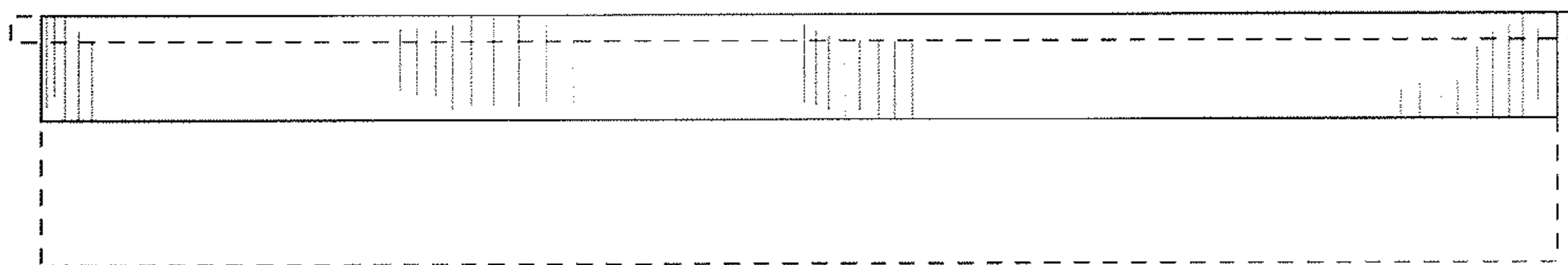


FIG. 3

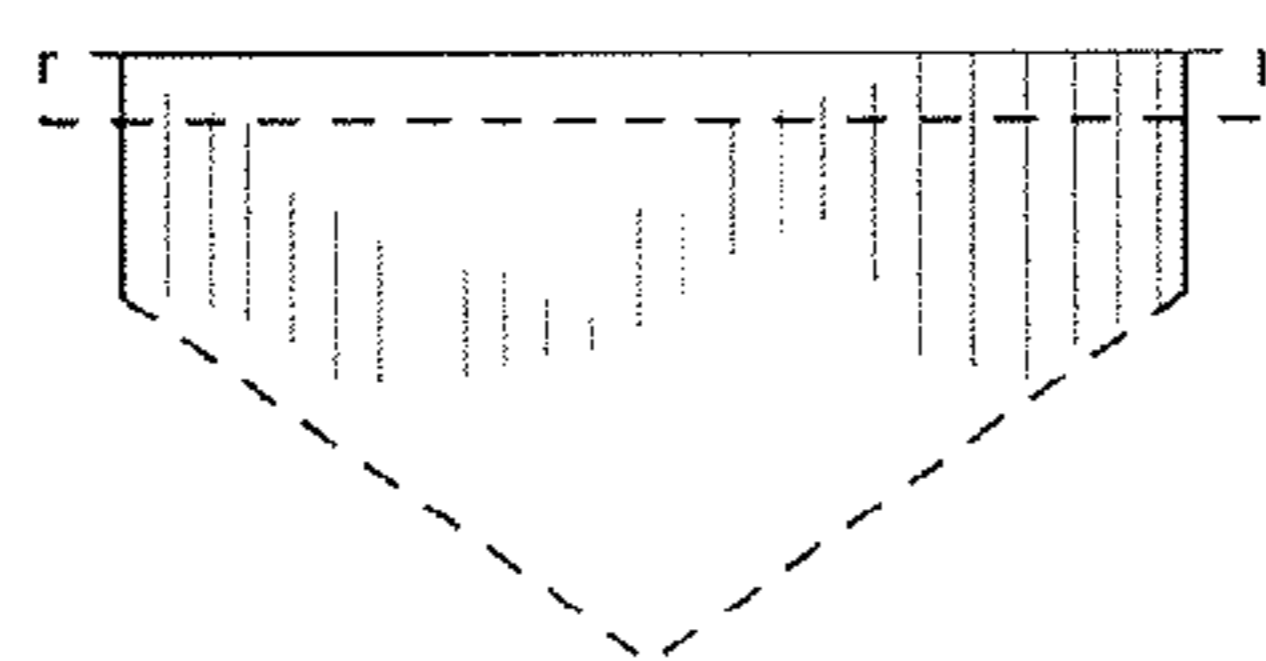


FIG. 4

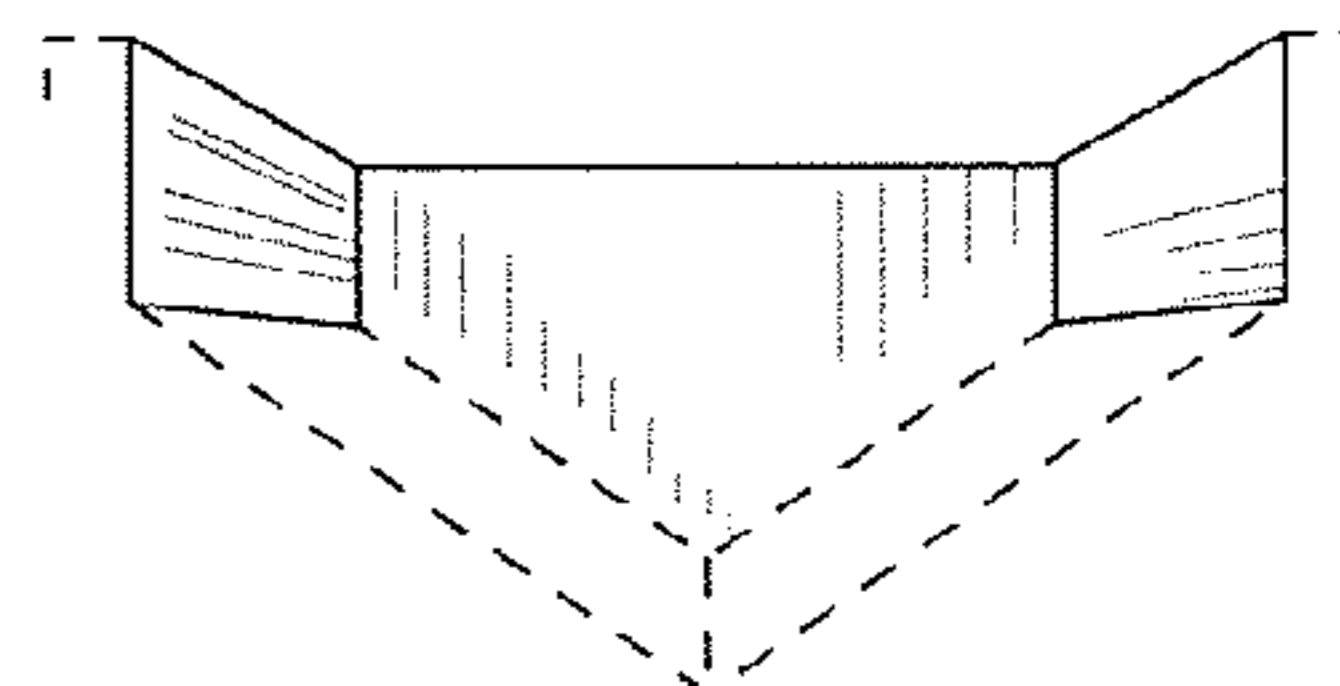


FIG. 5

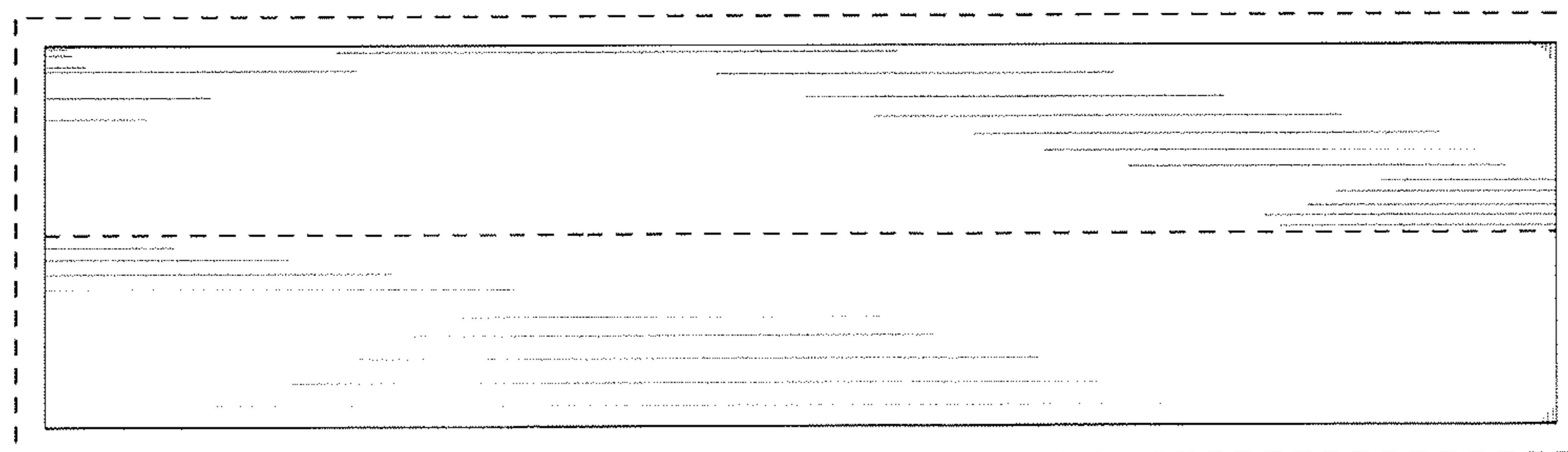


FIG. 6

