



US00D682635S

(12) **United States Design Patent**
Boroski

(10) **Patent No.:** **US D682,635 S**

(45) **Date of Patent:** **** May 21, 2013**

(54) **LUNCH BAG WITH LOOP HANDLES**

FOOGO Bag by Thermos, LLC, date uncertain.

(75) Inventor: **Dwayne Boroski**, Lake in the Hills, IL (US)

* cited by examiner

(73) Assignee: **Thermos L.L.C.**, Schaumburg, IL (US)

Primary Examiner — Terry Wallace

(74) *Attorney, Agent, or Firm* — Schiff Hardin LLP

(**) Term: **14 Years**

(21) Appl. No.: **29/416,517**

(57) **CLAIM**

The ornamental design of the lunch bag with loop handles, as shown and described.

(22) Filed: **Mar. 23, 2012**

(51) **LOC (9) Cl.** **07-99**

(52) **U.S. Cl.**
USPC **D7/709**

(58) **Field of Classification Search** D7/601–607,
D7/709, 629; D3/201, 205, 229, 232, 233,
D3/239–243, 245, 246, 276, 283, 287, 289–293,
D3/299; 62/457.1–457.9, 371, 372; 150/100,
150/103, 104, 106–108, 112, 118; 220/195.03,
220/592.03, 915.1, 915.2
See application file for complete search history.

DESCRIPTION

FIG. 1 is a perspective view taken from the upper, front, right-hand side of the lunch bag with loop handles of the present invention;
FIG. 2 is a perspective view taken from the lower, back, left-hand side of the lunch bag with loop handles of FIG. 1;
FIG. 3 is a side elevational view of the left side of the lunch bag with loop handles of FIG. 1;
FIG. 4 is a front elevational view of the lunch bag with loop handles of FIG. 1;
FIG. 5 is a side elevational view of the right side of the lunch bag with loop handles of FIG. 1;
FIG. 6 is a rear elevational view of the lunch bag with loop handles of FIG. 1;
FIG. 7 is a top plan view of the lunch bag with loop handles of FIG. 1; and,
FIG. 8 is a bottom plan view of the lunch bag with loop handles of FIG. 1.

(56) **References Cited**

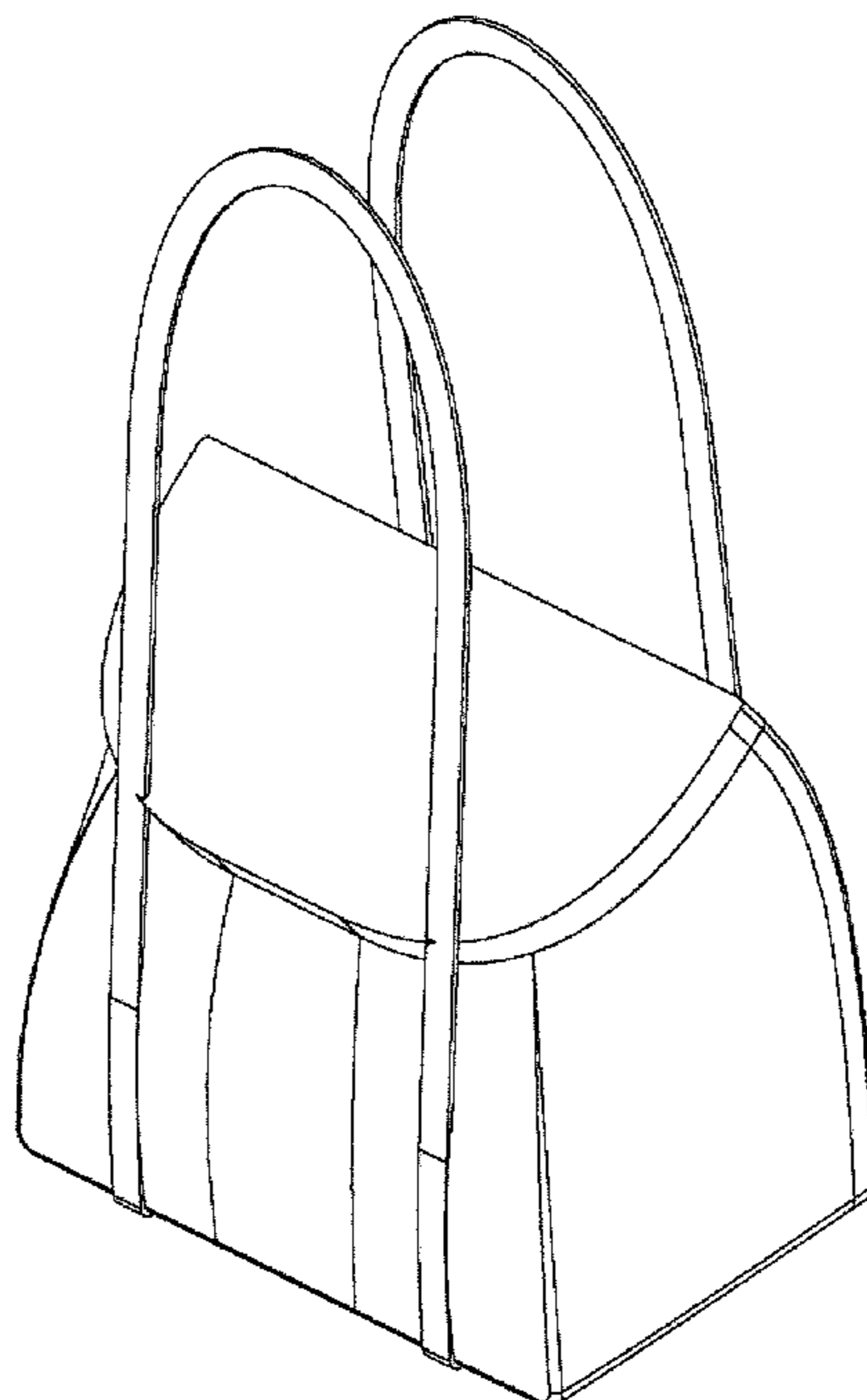
U.S. PATENT DOCUMENTS

2,210,351	A *	8/1940	Westendorf	150/110
D421,371	S *	3/2000	Fair	D7/709
D501,598	S *	2/2005	Guyon	D3/246
D539,537	S *	4/2007	Guyon	D3/246
D587,010	S *	2/2009	Deck	D3/246
D619,432	S *	7/2010	LaBonte	D7/709

OTHER PUBLICATIONS

Coach lunch bag, printed Jun. 20, 2012.

1 Claim, 8 Drawing Sheets



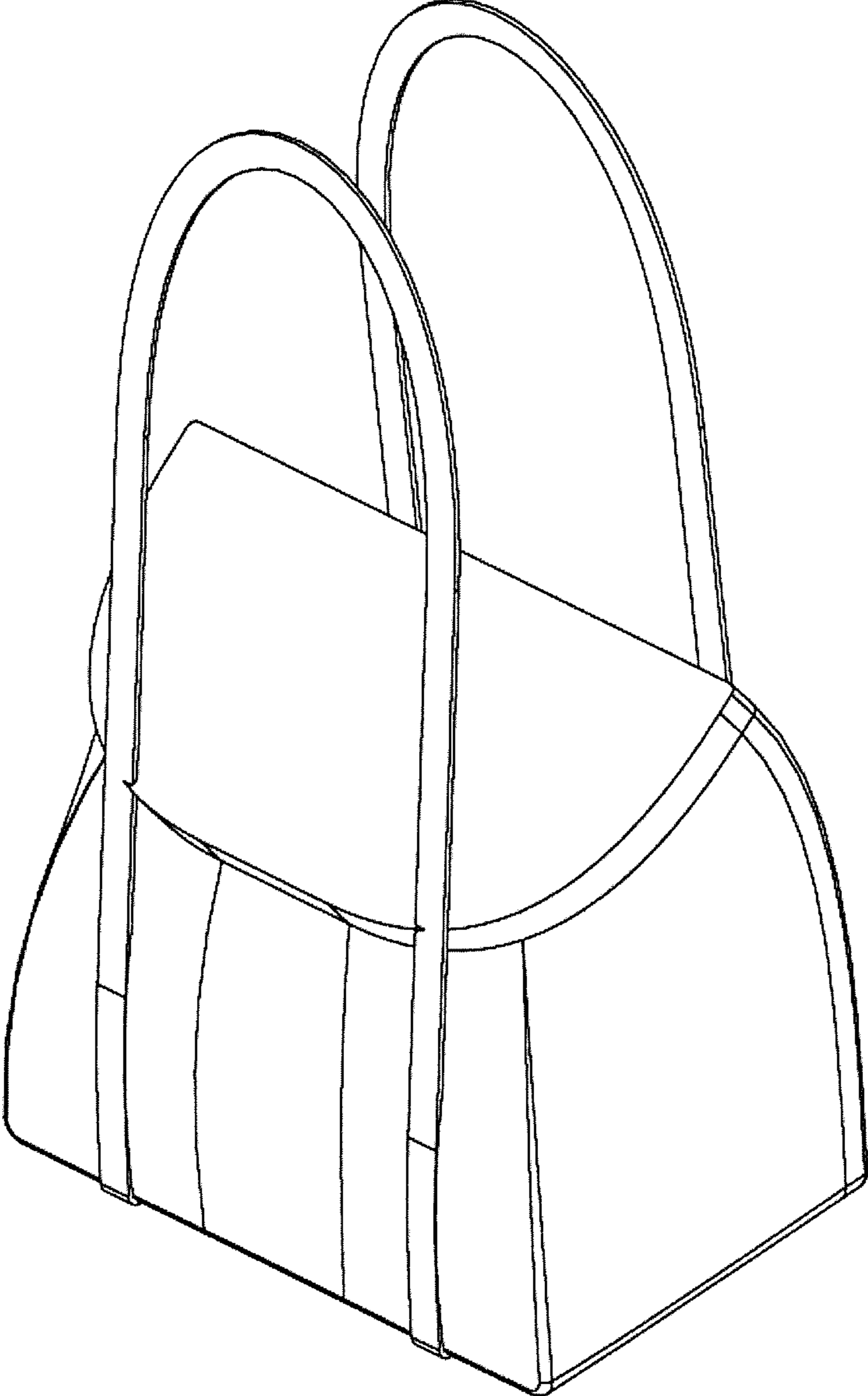


Figure 1

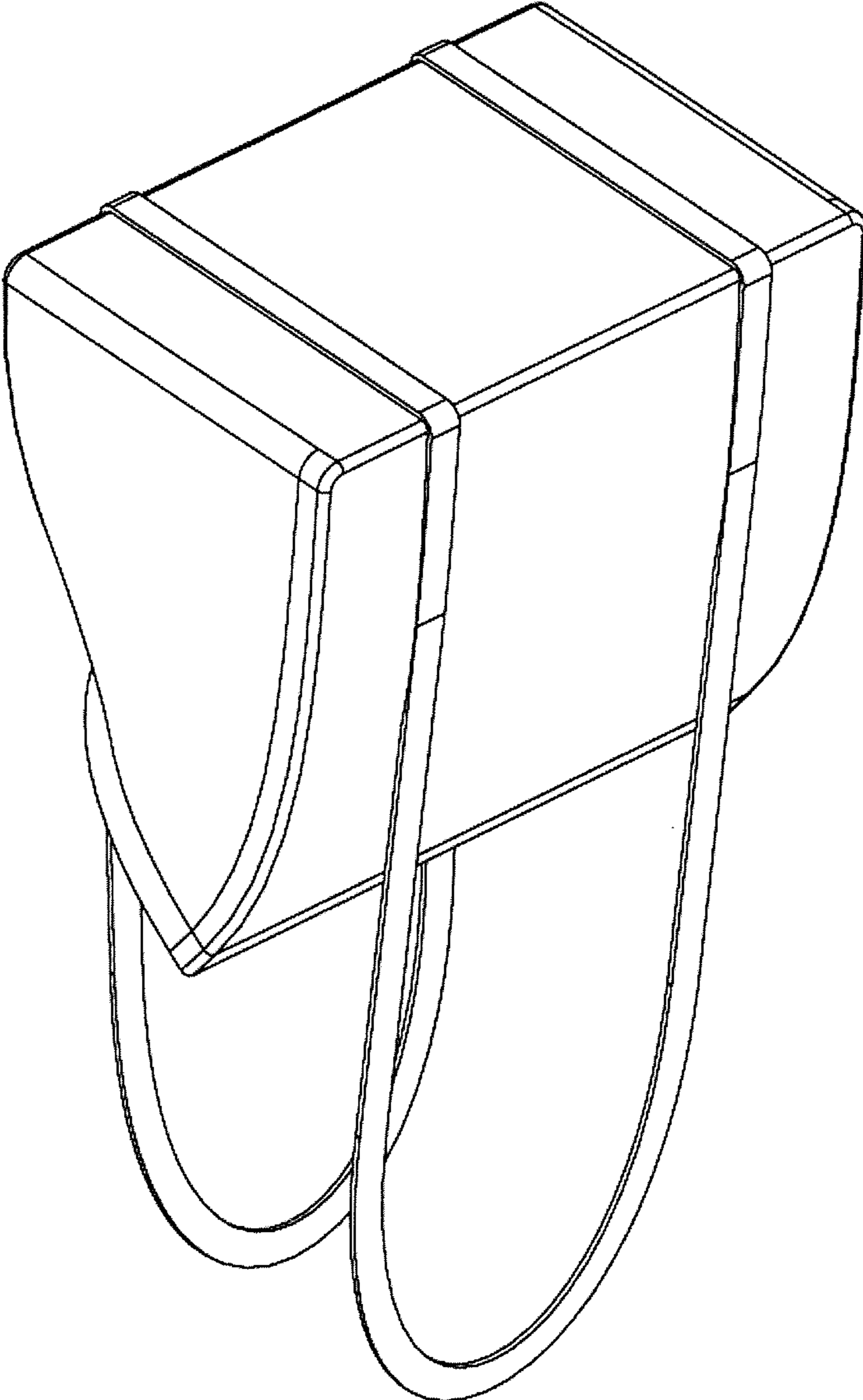


Figure 2

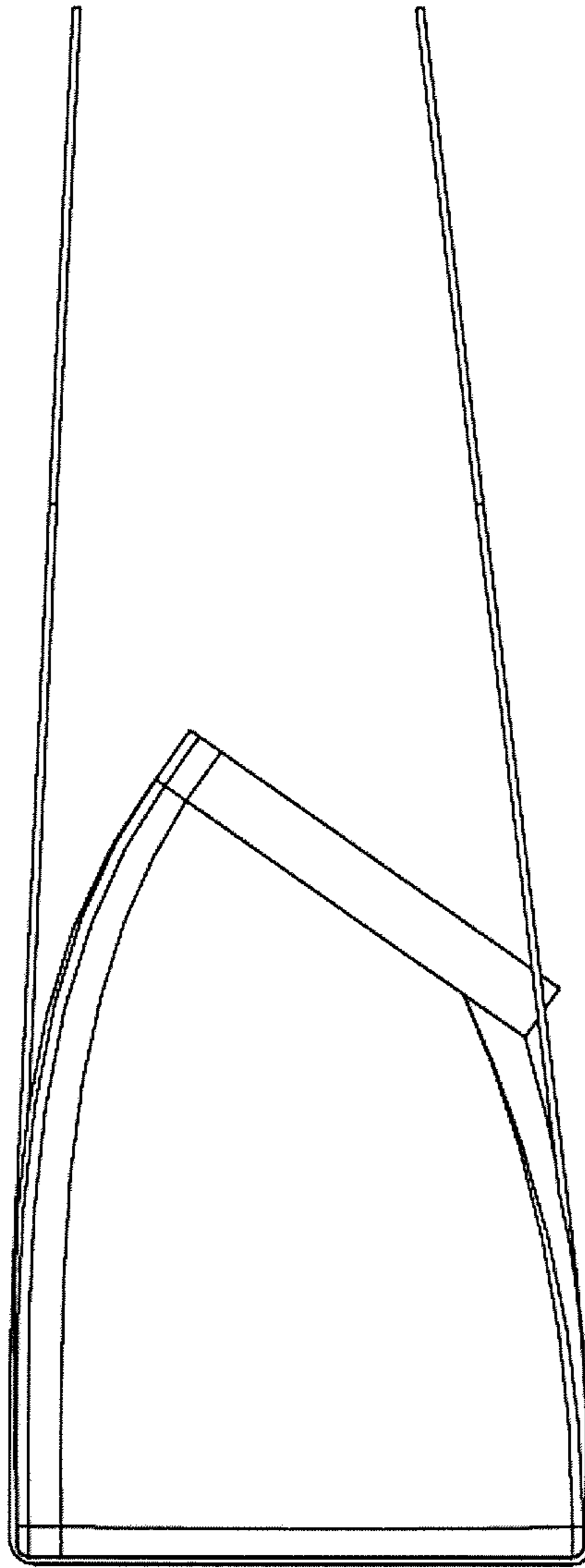


Figure 3

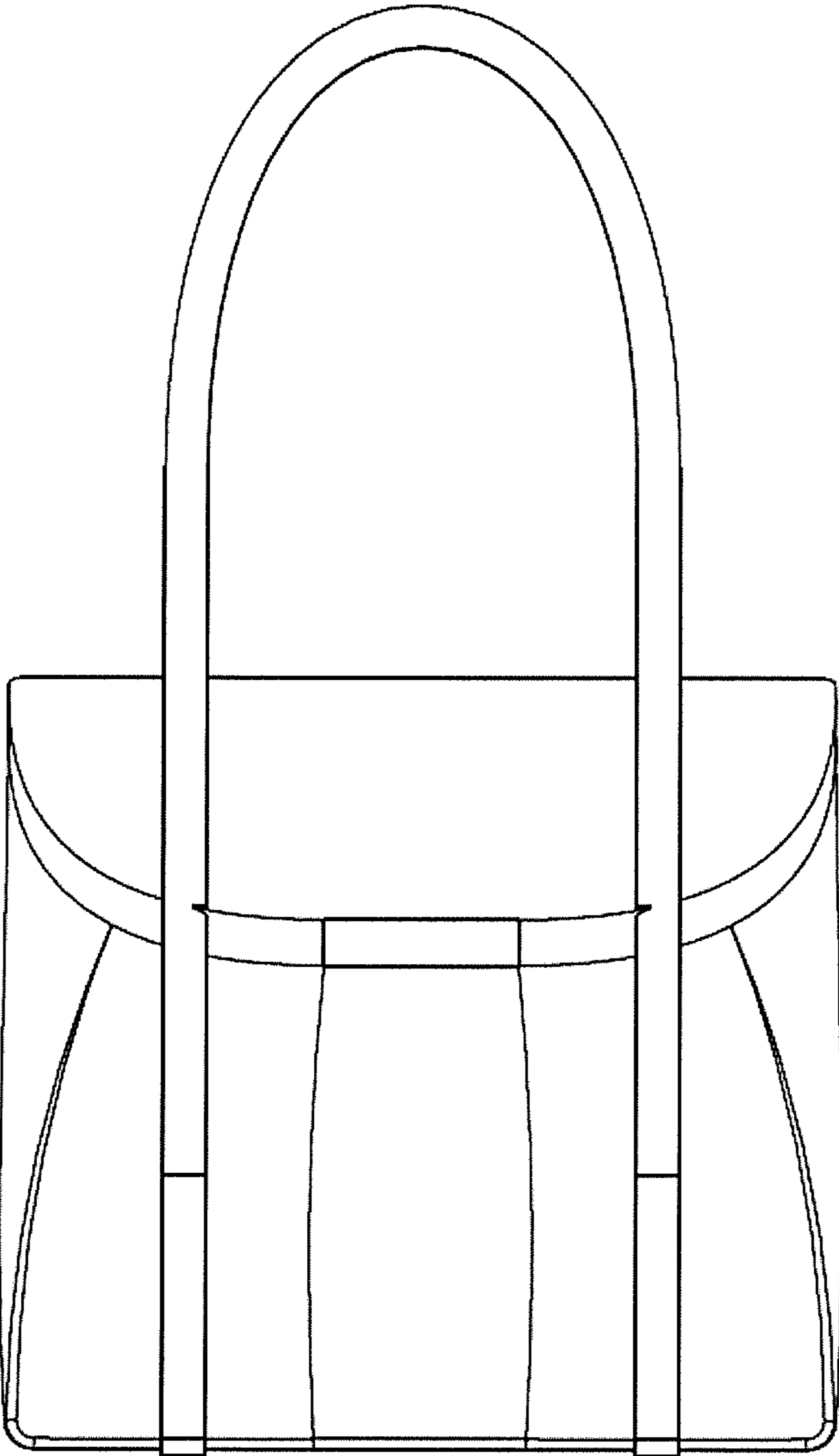


Figure 4

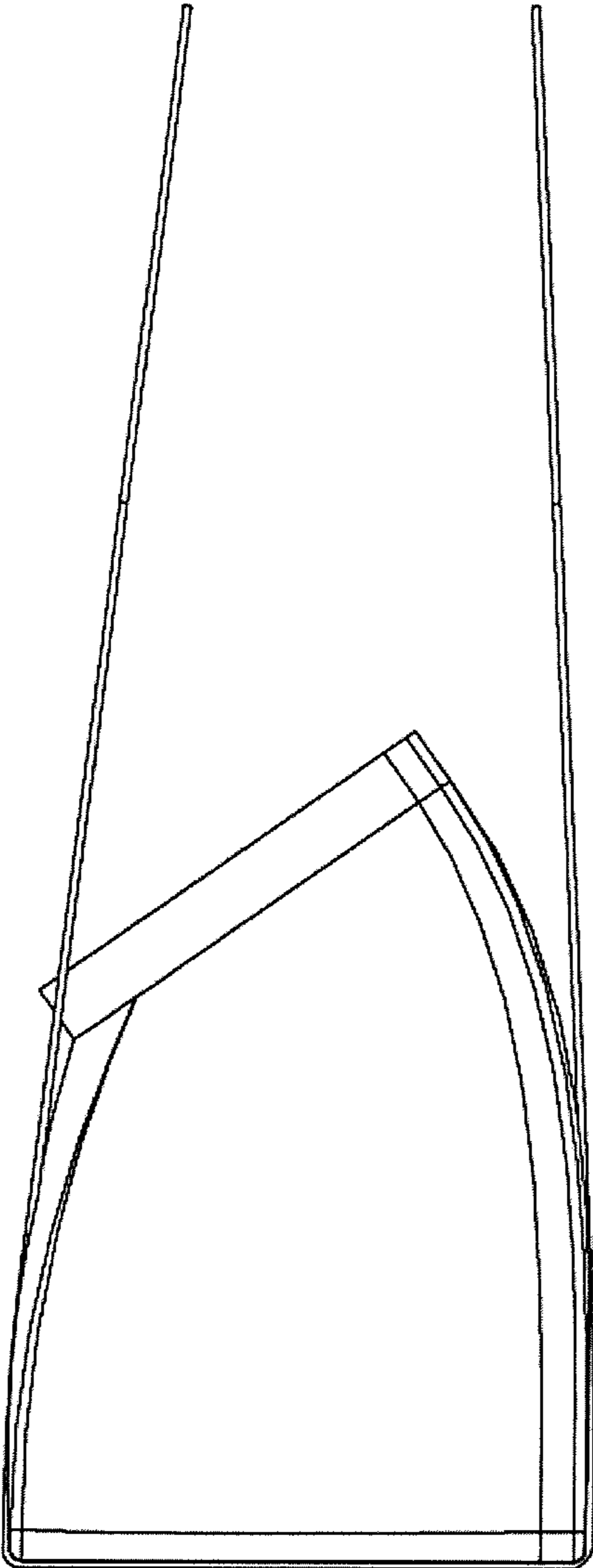


Figure 5

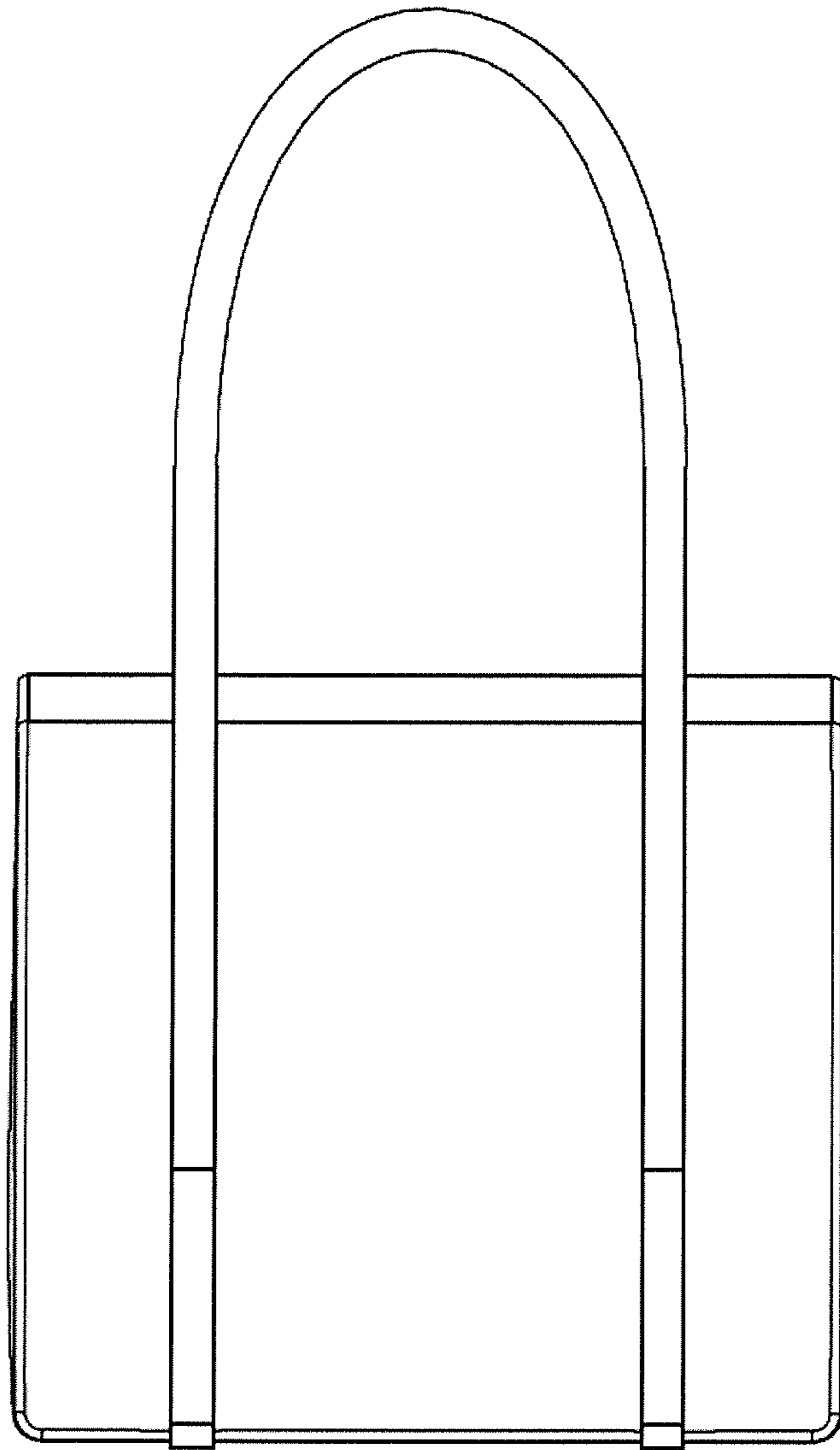


Figure 6

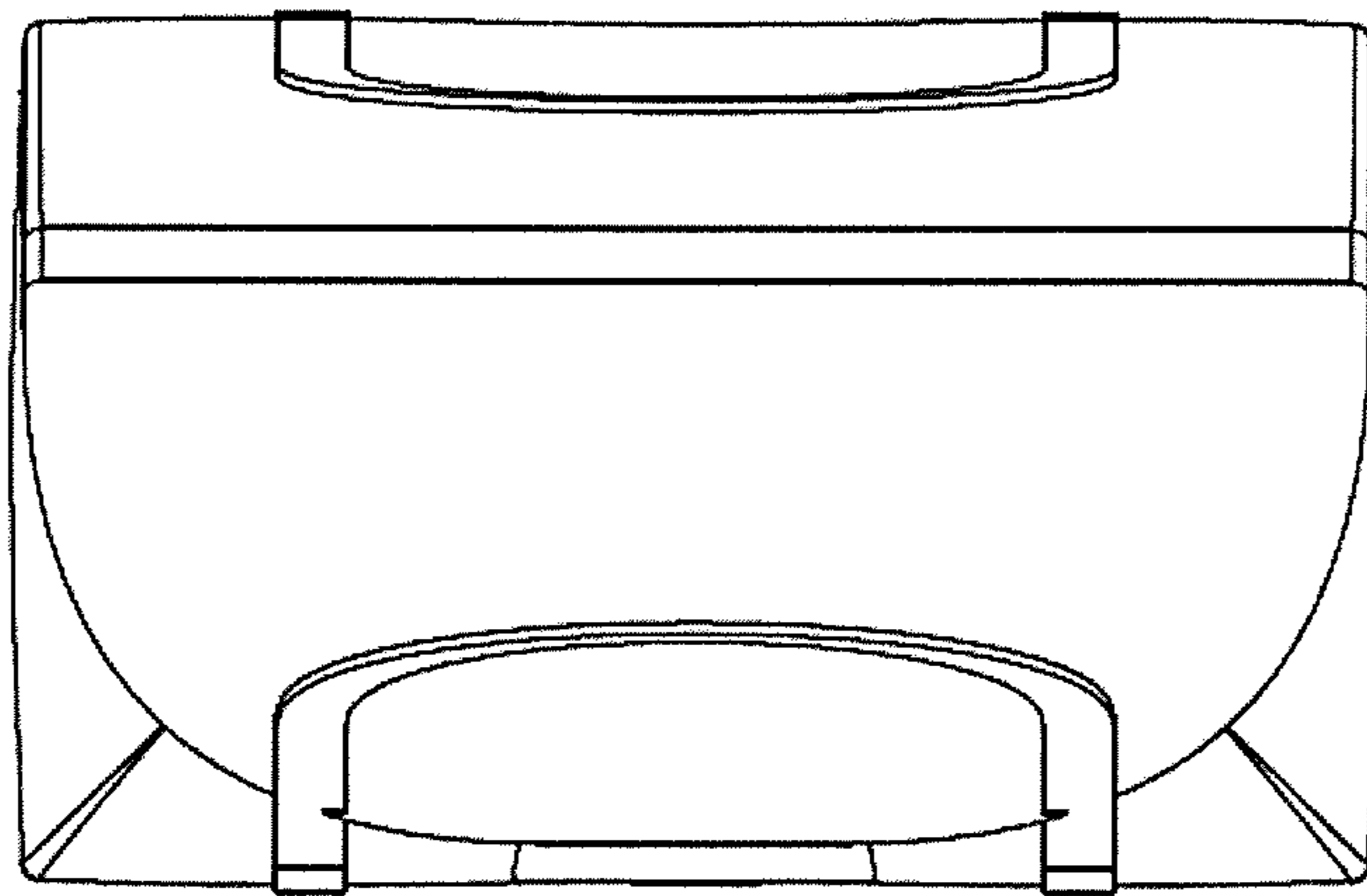


Figure 7

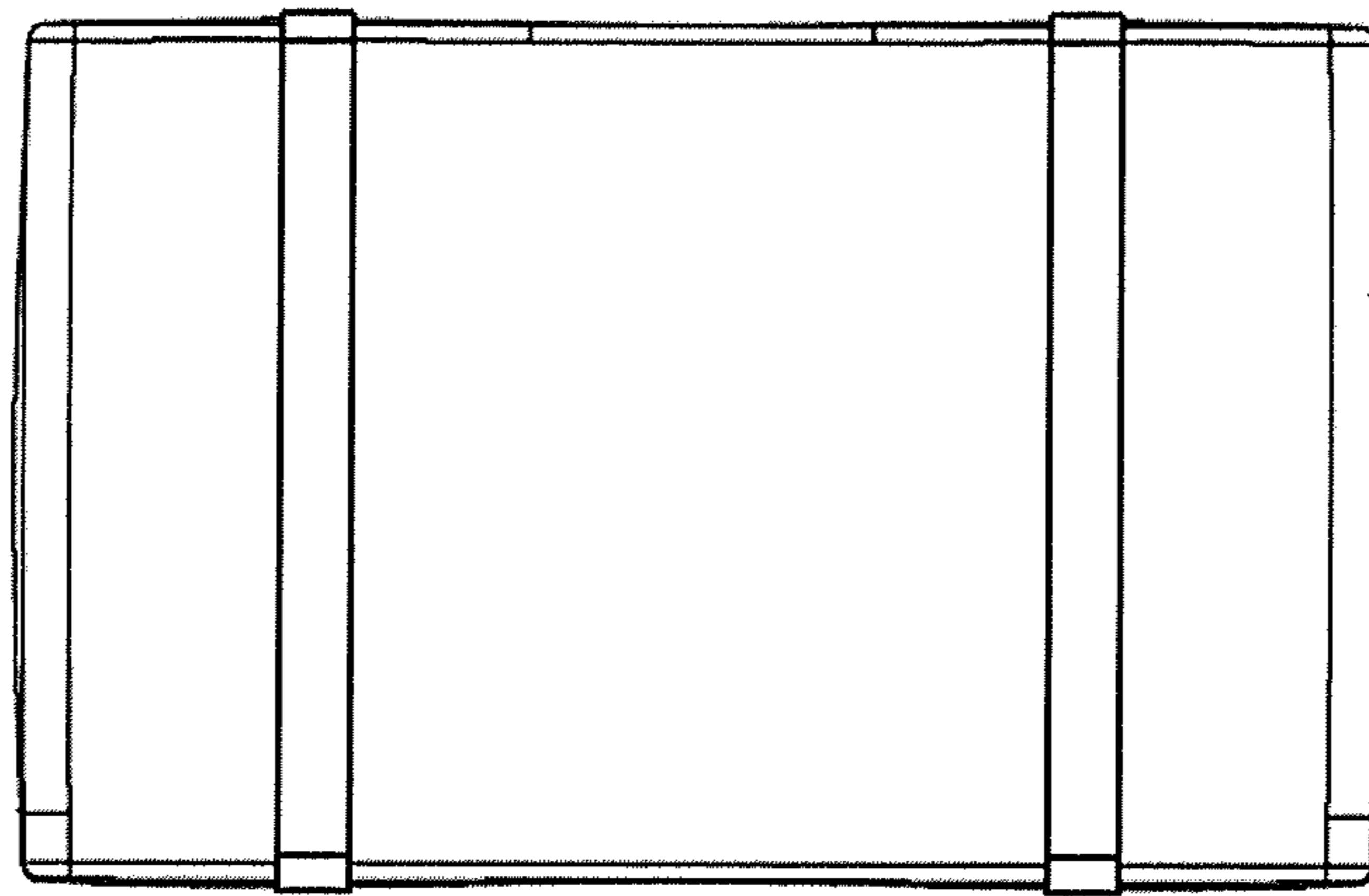


Figure 8